

## BCM3300 QAMLink® SINGLE-CHIP DOCSIS CABLE MODEM

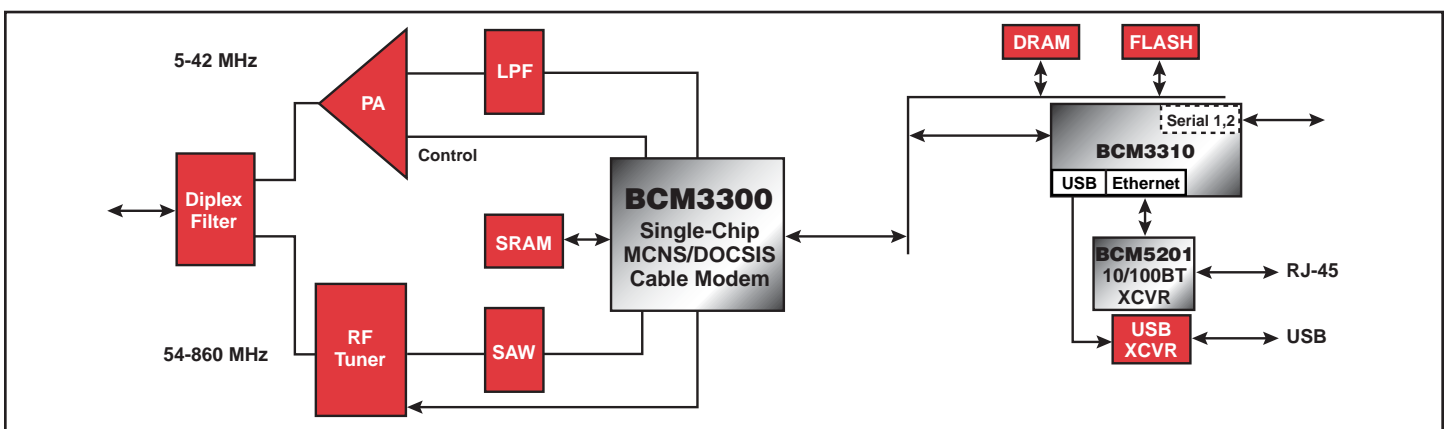
### BCM3300 FEATURES

- **Integrated QAMLink Receiver**
  - 10-bit A/D converter with input AGC amplifier
  - Variable symbol rate 256 QAM receiver
  - Digital demodulator, Nyquist filters, tracking loops and 32-tap adaptive decision feedback equalizer
  - ITU-T J.83 Annex A/B/C compatible FEC
- **Integrated Upstream Transmitter**
  - Programmable FEC encoder
  - Pre-equalizer filter
  - QPSK/16 QAM burst modulator
  - 10-bit D/A converter with output power control
- **Integrated DOCSIS Media Access Controller (MAC)**
  - DOCSIS version 1.0 and 1.1 compliant
  - Supports for fragmentation and concatenation
  - Supports enhanced Quality of Service (QoS) for Voice over IP (VoIP) applications
  - Support for 16 destination address and 256 multicast address filters
  - Four simultaneous upstream SIDS multiplexed to 16
- **CPU Interfaces**
  - Motorola MC68360, MPC850 PowerPC
  - IDT79R3081 MIPS, BCM3310 Communications Processor
- **3.3V Operation**
- **256-pin BGA package**

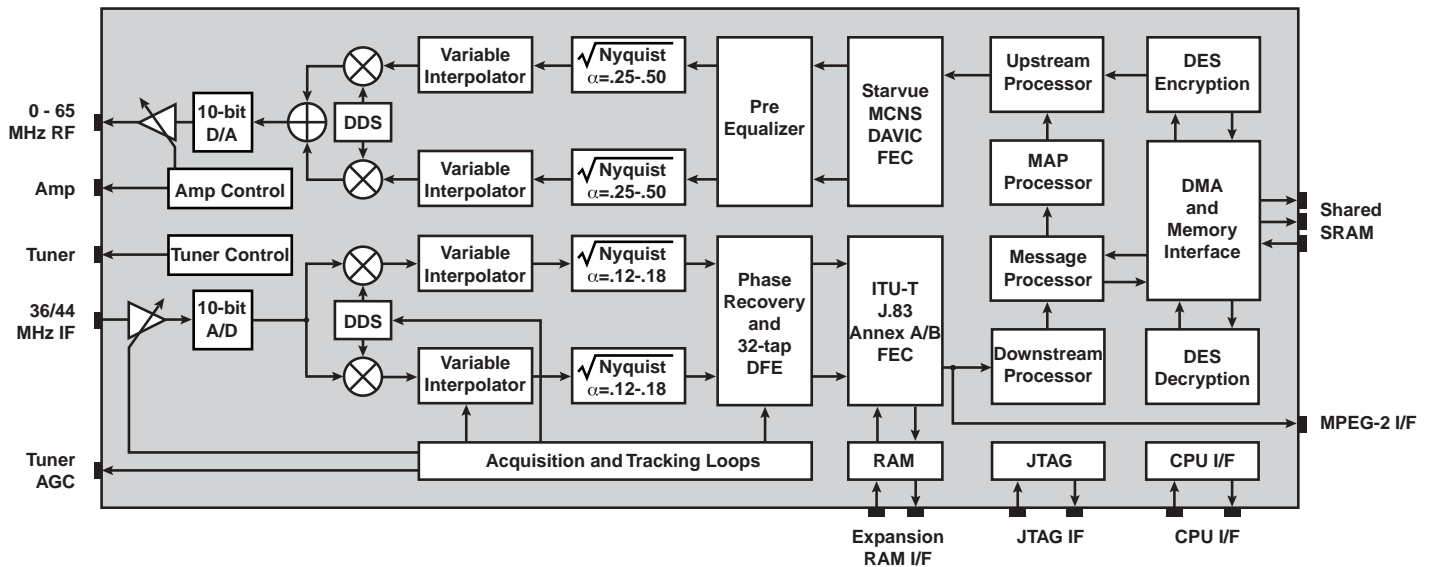
### SUMMARY OF BENEFITS

- **Fully-integrated, DOCSIS-compliant PHY/ MAC integrated circuit**
  - Reduces overall system cost
  - Simplifies system, board and software design
  - Reduces power consumption
- **Single crystal design with direct IF sampling**
- **Complete Media Access Control (MAC) function for MCNS-compliant cable modem**
  - Ensures interoperability in consumer-grade products.
- **Baseline privacy encryption and decryption**
  - Support for up to 16 SIDs and 16 56-bit DES encryption keys with initialization vectors
  - 40-bit DES version available for export
- **Hardware processing, enabling real-time**
  - Termination of MPEG-2 transmission convergence sublayer
  - Generation/verification of CRC and HCS
  - Extraction and processing of time stamps and system timing
  - MAP message handling and upstream bandwidth requests
  - MAC layer fragmentation in hardware
  - Extensive address filtering

### DOCSIS-Compliant External Cable Modem



# BCM3300 OVERVIEW



The Broadcom® **BCM3300** combines a 256-QAM receiver, a 4/16-QAM burst transmitter and a complete DOCSIS compliant MAC integrated into a single chip. The **BCM3300** is the world's first and only single chip, DOCSIS version 1.0 and 1.1 compliant solution with extensions for fragmentation and Quality of Service (QoS).

The receiver directly samples a tuner output, digitally resamples and demodulates the signal with recovered clock and carrier timing, filters and equalizes the data, passing soft decisions to an ITU-T J.83 Annex A/B/C compatible decoder.

The upstream transmitter takes burst or continuous data, provides FEC encoding and pre-equalization for DOCSIS or DVB/DAVIC applications, filters and modulates the data stream and provides a direct 0 - 65 MHz analog output.

The MAC includes baseline privacy encryption and decryption, transmission convergence sub-layer support, a TDM/TDMA framer and a scatter/gather DMA interface. The MAC in the **BCM3300** is also the only DOCSIS compliant device that implements version 1.0 and 1.1 functionality providing extended functions for fragmentation, concatenation and multiple SIDs, enabling full support for Quality of Service applications such as Voice over IP.

The **BCM3300** represents the first silicon solution that integrates the key DOCSIS physical and MAC layer functions into a single, integrated chip, enabling the the lowest cost system implementation in the industry

## Ordering Information:

**BCM3300KTB**

Broadcom®, the pulse logo, and **Connecting everything®** are trademarks of Broadcom Corporation and/or its subsidiaries in the United States and certain other countries. All other trademarks are the property of their respective owners.

Connecting  
**everything®**



**BROADCOM CORPORATION**  
16215 Alton Parkway, P.O. Box 57013  
Irvine, California 92619-7013

© 2003 by BROADCOM CORPORATION. All rights reserved.  
3300-PB03-R 06.25.03

Phone: 949-450-8700  
FAX: 949-450-8710  
Email: [info@broadcom.com](mailto:info@broadcom.com)  
Web: [www.broadcom.com](http://www.broadcom.com)