

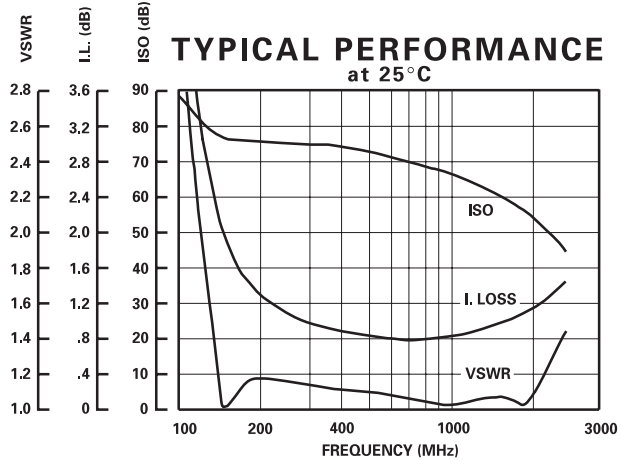
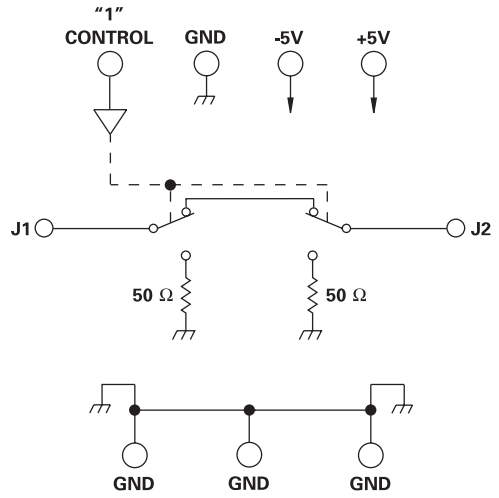
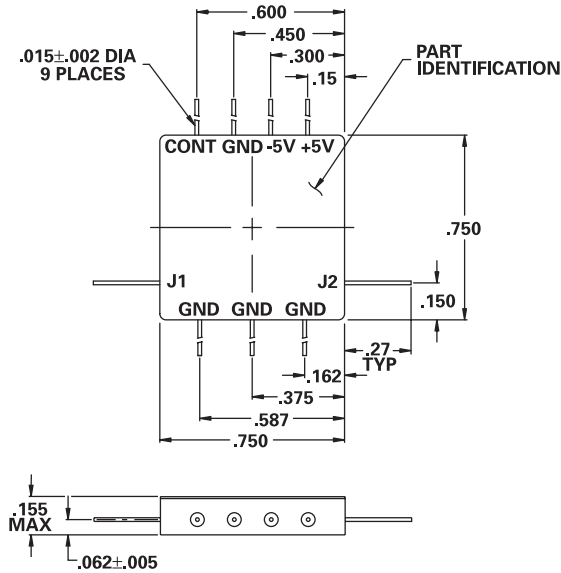
**MODEL NUMBER  
DS0551**

**PIN Diode SPST**

**FEATURES**

- 400-2000 MHz
- 0.9 dB Insertion Loss
- 60 dB Isolation
- TTL Driver
- Non-Reflective
- .750 Sq. Flat Pack

**SPST**



**GUARANTEED PERFORMANCE**

Parameter	Min	Typ	Max	Units	Conditions
Operating Frequency	400		2000	MHz	
DC Current		29	40	mA	At +5 VDC Supply
		23	35	mA	At -5 VDC Supply
Control Type		TTL			1 Line Logic "0" = Isolation Logic "1" = Thru
Control Current	High	0	+80	µA	V <sub>IH</sub> = +2.7V
	Low	-250	-800	µA	V <sub>IL</sub> = +0.5V
Insertion Loss		1.1	1.5	dB	
Isolation	60	67		dB	400 - 1000 MHz
	50	56		dB	1000 - 2000 MHz
VSWR	Thru	1.2/1	1.4/1		
	Termination	1.1/1	1.4/1		
Impedance		50		OHMS	
Switching Speed		185	400	nSEC	50% TTL to 90% / 10% RF
Transition (Rise/Fall) Time		115		nSEC	90% / 10% or 10% / 90% RF
Switching (Video) Transients		280		mV	Peak Value
Intercept Points	2nd	+59		dBm	1595 MHz / 1095 MHz
	3rd	+39		dBm	1195 MHz / 1895 MHz
RF Power	Operate	+17	+10	dBm	0.1 dB Compression
	No Damage	+30		dBm	
Operating Temperature	-55	+25	+125	°C	TA