

DUAL BUS BUFFER

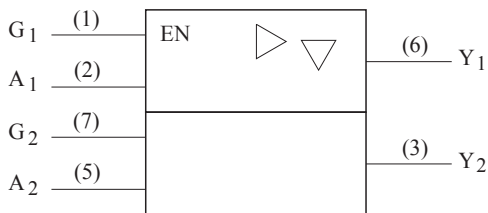
FEATURES

- Super High Speed : $t_{PD}=2.6ns$ (Typ.) into 50pF at $V_{CC}=5V$.
- High Output Driver : $\pm 24mA$ at $V_{CC}=3V$.
- Power Down High Impedance inputs/outputs.
- Outputs are Overvoltage Tolerant in 3-STATE mode.
- Wide Operating Voltage Range : $V_{CC(oper)}=1.65\sim 5.5V$.

MAXIMUM RATINGS (Ta=25°C)

CHARACTERISTIC	SYMBOL	RATING	UNIT
Power Supply Voltage	V_{CC}	-0.5~7	V
DC Input Voltage	V_{IN}	-0.5~7	V
DC Output Voltage	V_{OUT}	-0.5~7	V
Input Diode Current	I_{IK}	-50	mA
Output Diode Current	I_{OK}	-50	mA
DC Output Current	I_{OUT}	± 50	mA
DC V_{CC} /ground Current	I_{CC}	± 100	mA
Power Dissipation	P_D	200	mW
Storage Temperature Range	T_{stg}	-65 ~ 150	°C
Lead Temperature (10s)	T_L	260	°C

Logic Diagram

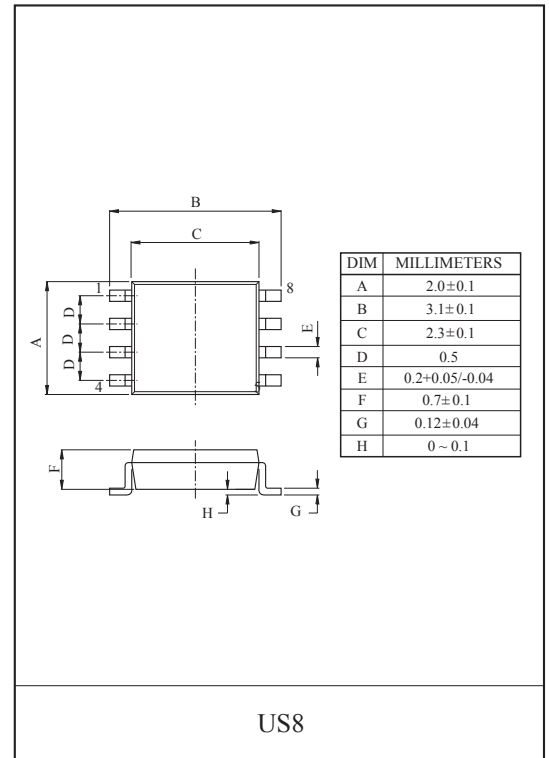


Truth Table

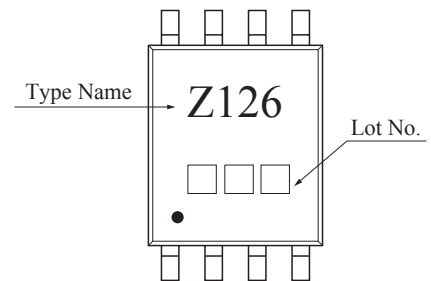
INPUTS		OUTPUTS
\bar{G}	A	Y
L	X	Z
H	L	L
H	H	H

X : Don't Care

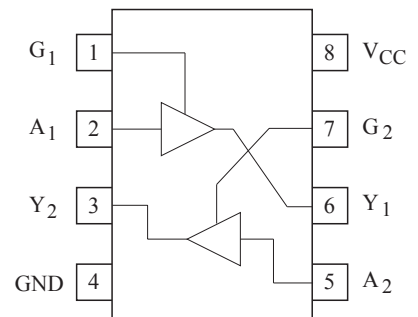
Z : High Impedance



MARKING



PIN CONNECTION(TOP VIEW)



KIC7WZ126FK

Recommended Operating Conditions

CHARACTERISTIC	SYMBOL	RATING	UNIT
Supply Voltage	V_{CC}	1.65~5.5	V
		1.5~5.5 (Note1)	
Input Voltage	V_{IN}	0~ V_{CC}	V
Output Voltage	V_{OUT}	0~ V_{CC} (Note2)	V
		0~5.5 (Note3)	
Operating Temperature	T_{opr}	-40~85	°C
Input Rise and Fall Time	t_r, t_f	0~20 ($V_{CC}=1.8\pm 0.15V, 2.5\pm 0.2V$) 0~10 ($V_{CC}=3.8V\pm 0.3V$) 0~5 ($V_{CC}=5.0V\pm 0.5V$)	ns/V

Note1 : Data retention only. Note2 : Active State. Note3 : 3-STATE

ELECTRICAL CHARACTERISTICS (DC Characteristics)

CHARACTERISTIC		SYMBOL	TEST CONDITION		Ta=25°C			Ta=-40~85°C		UNIT		
					$V_{CC}(V)$	MIN.	TYP.	MAX.	MIN.		MAX.	
Input Voltage	High Level	V_{IH}	-	-	1.65~1.95	$0.75 \times V_{CC}$	-	-	$0.75 \times V_{CC}$	V		
					2.3~5.5	$0.7 \times V_{CC}$	-	-	$0.7 \times V_{CC}$			
	Low Level	V_{IL}	-	-	1.65~1.95	-	-	$0.25 \times V_{CC}$	-		$0.25 \times V_{CC}$	
					2.3~5.5	-	-	$0.3 \times V_{CC}$	-		$0.3 \times V_{CC}$	
Output Voltage	High Level	V_{OH}	$V_{IN}=V_{IH}$ or V_{IL}	$I_{OH}=-100\mu A$	1.65	1.55	1.65	-	1.55	-	V	
					2.3	2.2	2.3	-	2.2	-		
					3.0	2.9	3.0	-	2.9	-		
					4.5	4.4	4.5	-	4.4	-		
					$I_{OH}=-4mA$	1.65	1.29	1.52	-	1.29		-
					$I_{OH}=-8mA$	2.3	1.9	2.15	-	1.9		-
					$I_{OH}=-16mA$	3.0	2.4	2.80	-	2.4		-
					$I_{OH}=-24mA$	3.0	2.3	3.68	-	2.3		-
	Low Level	V_{OL}	$V_{IN}=V_{IH}$ or V_{IL}	$I_{OL}=100\mu A$	1.65	-	0	0.1	-	0.1	V	
					2.3	-	0	0.1	-	0.1		
					3.0	-	0	0.1	-	0.1		
					4.5	-	0	0.1	-	0.1		
					$I_{OL}=4mA$	1.65	-	0.08	0.24	-		0.24
					$I_{OL}=8mA$	2.3	-	0.10	0.30	-		0.30
					$I_{OL}=16mA$	3.0	-	0.15	0.40	-		0.40
					$I_{OL}=24mA$	3.0	-	0.22	0.55	-		0.55
Input Leakage Current		I_{IN}	$V_{IN}=5.5V$ or GND	0~5.5	-	-	± 0.1	-	± 1	μA		
3-STATE Output Leakage		I_{OZ}	$V_{IN}=V_{IH}$ or V_{IL} $0 \leq V_{OUT} \leq 5.5V$	1.65~5.5	-	-	± 0.5	-	± 5	μA		
Power Off Leakage Current		I_{OFF}	V_{IN} or $V_{OUT}=5.5V$	0.0	-	-	1	-	10	μA		
Quiescent Supply Current		I_{CC}	$V_{IN}=5.5V$ or GND	1.65~5.5	-	-	1	-	10	μA		

KIC7WZ126FK

Noise Characteristics

CHARACTERISTIC	SYMBOL	TEST CONDITION		Ta=-25°C		UNIT
			V _{CC} (V)	TYP.	MAX.	
Quiet Output Maximum Dynamic V _{OL}	V _{OLP} (Note 1)	C _L =50pF	5.0	-	1.0	V
Quiet Output Minimum Dynamic V _{OL}	V _{OLV} (Note 1)	C _L =50pF	5.0	-	1.0	V
Quiet Output Minimum Dynamic V _{OH}	V _{OHV} (Note 1)	C _L =50pF	5.0	-	4.0	V
Minimum HIGH Level Dynamic Input Voltage	V _{IHD} (Note 1)	C _L =50pF	5.0	-	3.5	V
Maximum LOW Level Dynamic Input Voltage	V _{ILD} (Note 1)	C _L =50pF	5.0	-	1.5	V

Note 1 : Characteristic guaranteed by design.

AC Characteristics

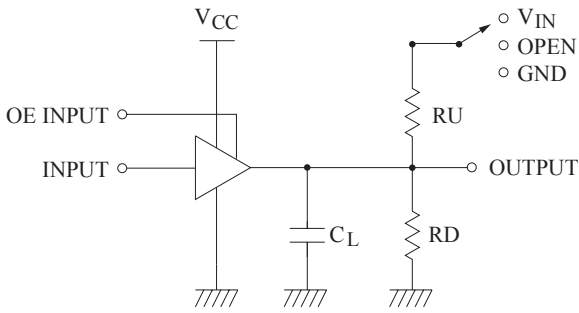
CHARACTERISTIC	SYMBOL	TEST CONDITION	Ta=25°C			Ta=-40~85°C		UNIT	
			V _{CC} (V)	MIN.	TYP.	MAX.	MIN.		MAX.
Propagation Delay A _N to Y _N (Figures 1,3)	t _{PLH} t _{PHL}	C _L =15pF, R _D =1MΩ S1=Open	1.8±0.15	2.0	-	12.0	2.0	13.0	ns
			2.5±0.2	1.0	-	7.5	1.0	8.0	
			3.3±0.3	0.8	-	5.2	0.8	5.5	
			5.0±0.5	0.5	-	4.5	0.5	4.8	
	t _{PLH} t _{PHL}	C _L =50pF, R _D =500Ω S1=Open	3.3±0.3	1.2	-	5.7	1.2	6.0	ns
			5.0±0.5	0.8	-	5.0	0.8	5.3	
Output to Output Skew (Figures 1,3) (Note 2)	t _{OSLH} t _{OSHL}	C _L =50pF, R _D =500Ω S1=Open	3.3±0.3	-	-	1.0	-	1.0	ns
			5.0±0.5	-	-	0.8	-	0.8	
Output Enable Time (Figures 1,3)	t _{PZL} t _{PZH}	C _L =50pF, R _D , R _U =500Ω S1=GND for t _{PZH} S1=V ₁ for t _{PZL} V ₁ =2×V _{CC}	1.8±0.15	3.0	-	14.0	3.0	15.0	ns
			2.5±0.2	1.8	-	8.5	1.8	9.0	
			3.3±0.3	1.2	-	6.2	1.2	6.5	
			5.0±0.5	0.8	-	5.5	0.8	5.8	
Output Disable Time (Figures 1,3)	t _{PLZ} t _{PHZ}	C _L =50pF, R _D , R _U =500Ω S1=GND for t _{PHZ} S1=V ₁ for t _{PLZ} V ₁ =2×V _{CC}	1.8±0.15	2.5	-	12.0	2.5	13.0	ns
			2.5±0.2	1.5	-	8.0	1.5	8.5	
			3.3±0.3	0.8	-	5.7	0.8	6.0	
			5.0±0.5	0.3	-	4.7	0.3	5.0	
Input Capacitance	C _{IN}		0	-	2.5	-	-	pF	
Output Capacitance	C _{OUT}		5.0	-	4	-	-	pF	
Power Dissipation Capacitance (Figure 2)	C _{PD}	(Note 3)	3.3	-	10	-	-	-	pF
			5.0	-	12	-	-	-	

Note 2 : Characteristic guaranteed by design. t_{OSLH}=|t_{PLHmax}-t_{PLHmin}| ; t_{OSHL}=|t_{PHLmax}-t_{PHLmin}|.

Note 3 : C_{PD} is defined as the value of the internal equivalent capacitance which is derived from dynamic operating current consumption (I_{CCD}) at no output loading and operating at 50% duty cycle. (See Figure 2.) C_{PD} is related to I_{CCD} dynamic operating current by the expression : I_{CCD}=C_{PD} · V_{CC} · f_{IN}+I_{CC}

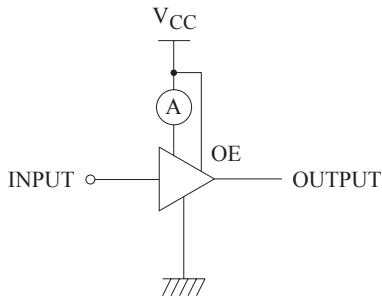
KIC7WZ126FK

AC Loading and Waveforms



C_L includes load and stray capacitance
Input PRR=1.0MHz ; t_w =500ns

FIGURE 1. AC Test Circuit



Input=AC Waveform ; $t_r=t_f=1.8$ ns;
PRR=10MHz ; Duty Cycle=50%

FIGURE 2. I_{CCD} Test Circuit

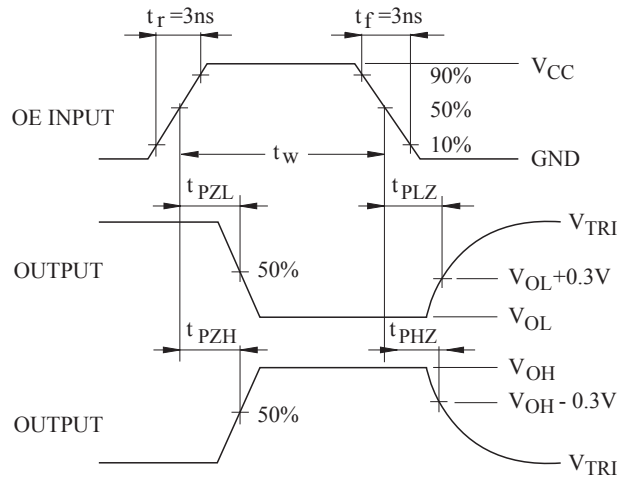
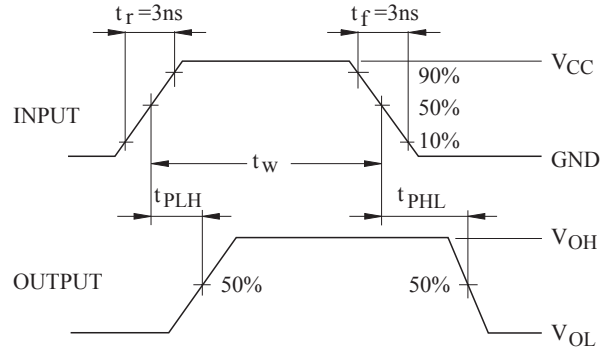


FIGURE 3. AC Waveforms