

SUMMARY

The KB2516 is a triple 8-bit analog-to-digital converter optimized for digitizing R/G/B graphics signal from PC and workstation. Its 140MSPS encode rate capability and analog bandwidth of 500MHz supports support display resolution of up to SXGA (1280 × 1024) class. The IC also includes a PLL (Phase Locked Loop) system that can be locked on horizontal line frequency, and generates the ADC clock.

FEATURES

- Analog bandwidth of 500MHz
- 3 clamps for 256 programmable levels
- 3 programmable gain amplifiers
- Analog input range: 0.5Vpp to 1.0Vpp
- Triple 8-bit ADC
- Sampling rate up to 140MHz
- Fully integrated PLL to generate the ADC clock, which can be locked to a HSYNC
- Integrated PLL divider
- Programmable clock phase control ($\Phi_{\text{step}} = 7.5^\circ$)
Integrated SOG separator and HSYNC input polarity detector
- Single and double pixel width output data bus
- Support I²C and 3-wire serial interface
- Power down mode
- 1.25W power dissipation

ORDERING INFORMATION

Device	Package	Ordering Information
KB2516	144-LQFP-2020	

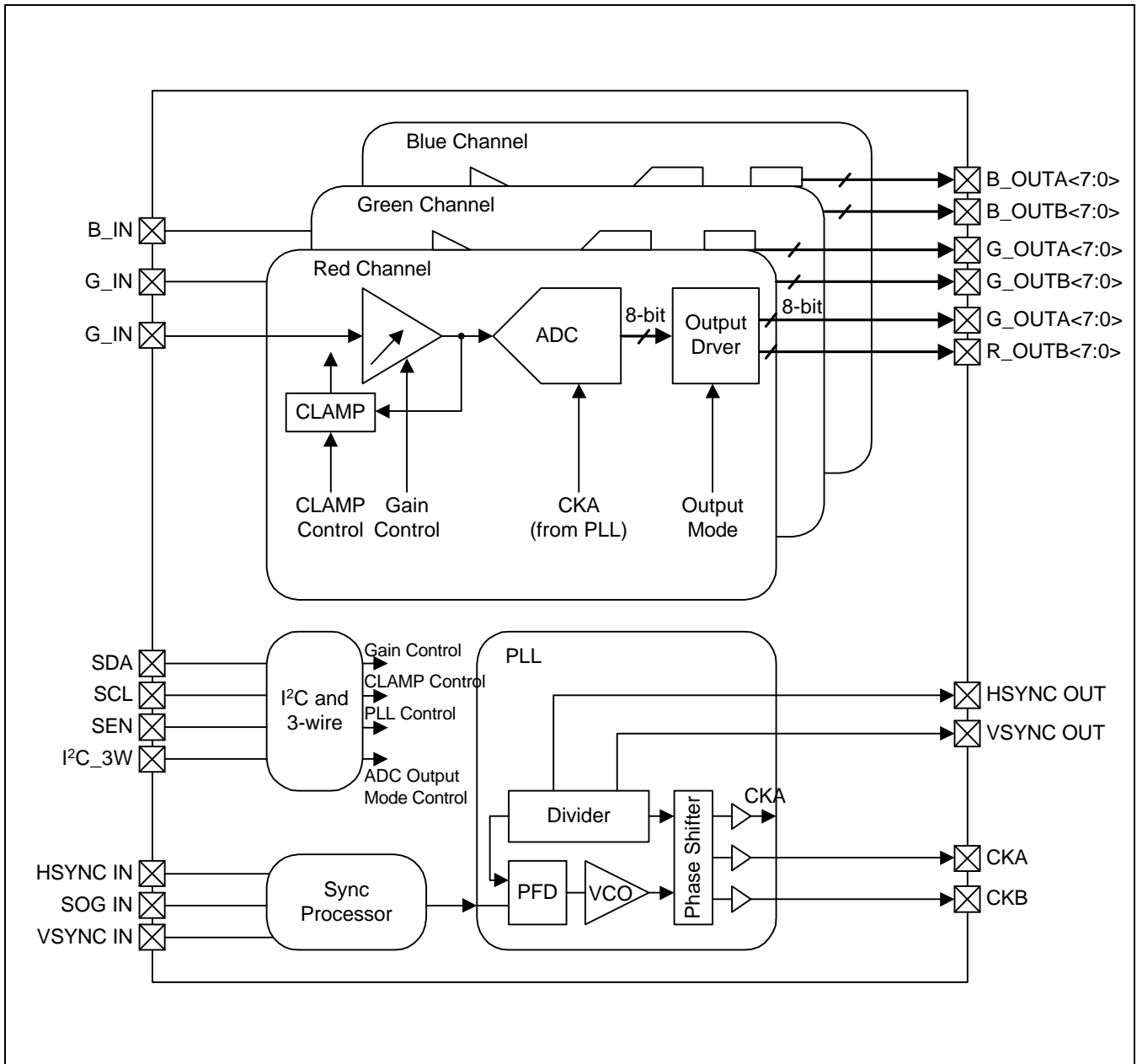
APPLICATIONS

- RGB high speed digitizing
- LCD desktop monitor
- Plasma display pannel panel

RELATED PRODUCTS

KS2530 FRC & SCALER

BLCKO DIAGRAM



ELECTRICAL CHARACTERISTICS

Symbol	Parameter	Conditions	Min.	Typ.	Max.	Unit
Power supply						
VDDC_P	Pre-amp analog supply voltage	for R, G, B channels	4.75	5.0	5.25	V
VDDC_A	ADC analog supply voltage	for R, G, B channels	4.75	5.0	5.25	V
VDDA_A	ADC analog supply voltage	for R, G, B channels	3.0	3.3	3.6	V
VDDD_A	ADC digital supply voltage	for R, G, B channels	4.75	5.0	5.25	V
VDD_A	ADC digital supply voltage	for R, G, B channels	3.0	3.3	3.6	V
VDDR	Output driver supply voltage	for R, G, B channels	3.0	3.3	3.6	V
VDD_P	PLL supply voltage		3.0	3.3	3.6	V
VDD_S	Interface logic supply voltage		3.0	3.3	3.6	V
IDDC_P	Pre-amp analog supply current		55	65	75	mA
IDDC_A	ADC analog supply current	5V supply	-	66	-	mA
IDDA_A	ADC analog supply current	3.3V supply	-	33	-	mA
IDDD_A	ADC digital supply current	5V supply	-	10	-	mA
IDD_A	ADC digital supply current	3.3V supply	-	20	-	mA
IDDR	Output driver supply current	Fclk = 140MHz, ramp input				mA
IDD_P	PLL supply current	Fclk = 100MHz	-	76	-	mA
IDD_S	Interface logic supply current		-		-	mA
Ptot	Total power consumption	Fclk = 180MHz, ramp input	-	1.25	-	W
Pre-amp						
f-3dB	Amplifier bandwidth	for R, G, B channels	-	500	-	MHz
VIN	RGB input voltage range		0.5	0.7	1.0	Vpp
Vbs	Input bias voltage	for R, G, B channels	1.7	1.9	2.1	V
AVmax	Voltage gain max		1.6	2.3	2.9	dB
ΔAcG	Coarse gain diff. between ch.	for R, G, B channels	-1.0	0.0	1.0	dB
ΔAf1	Fine gain diff. 1 between ch.	for R, G, B channels	-1.0	0.0	1.0	dB
ΔAf2	Fine gain diff. 2 between ch.	for R, G, B channels	-1.0	0.0	1.0	dB
tr	Pre-amp rising time	for R, G, B channels	-	1	-	nS
tf	Pre-amp falling time	for R, G, B channels	-	1	-	nS
Vbrt1	Brightness voltage ⁽¹⁾	for R, G, B channels	-	1.5	-	V
Vbrt2	Brightness voltage ⁽²⁾	for R, G, B channels	-	2.3	-	V
Vbrt3	Brightness voltage ⁽³⁾	for R, G, B channels	-	3.0	-	V

NOTES:

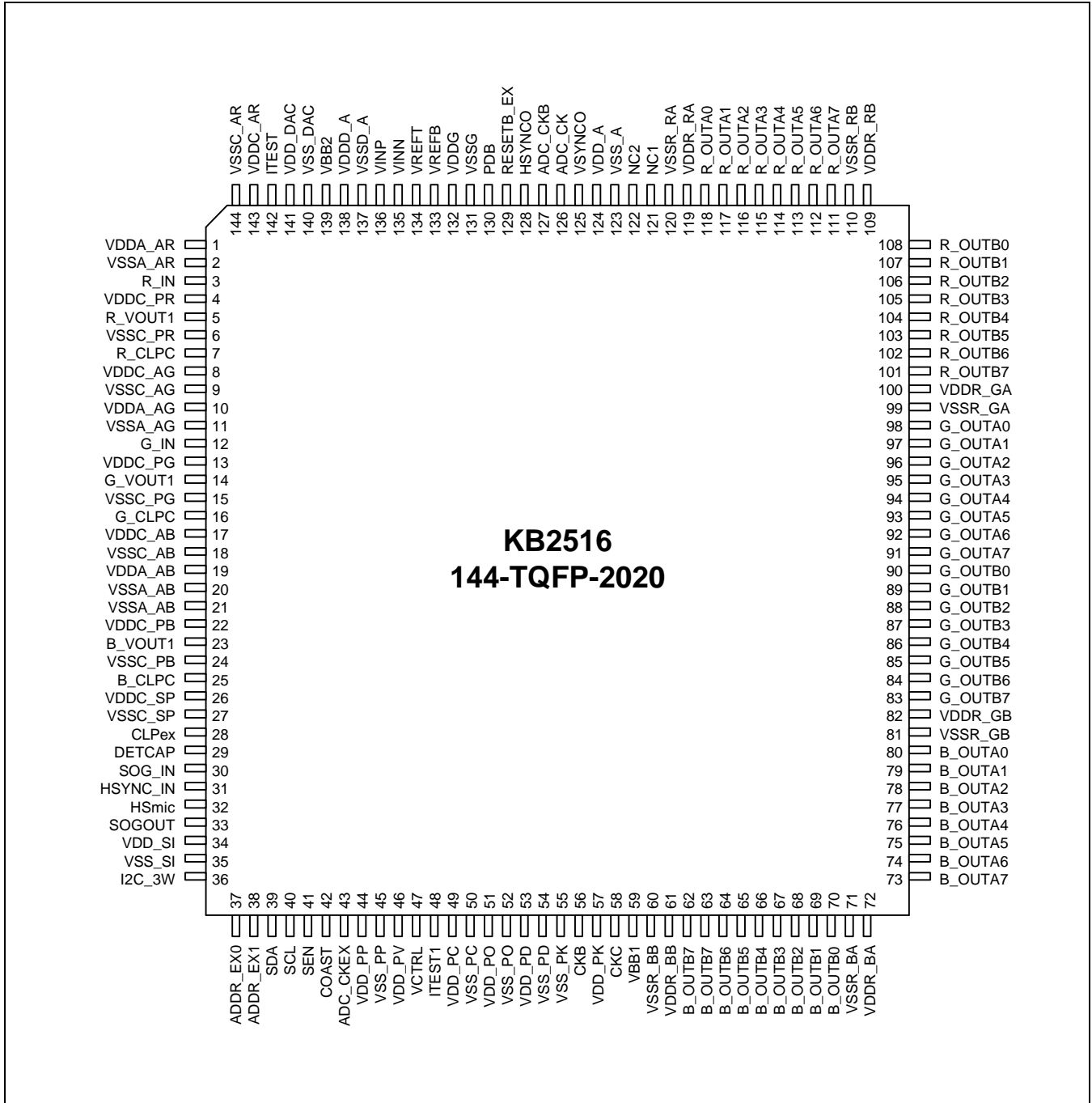
1. Coarse BRT = 80, Fine BRT = 00
2. Coarse BRT = 80, Fine BRT = 80
3. Coarse BRT = 80, Fine BRT = FF

Symbol	Parameter	Conditions	Min.	Typ.	Max.	Unit
Sync processor						
SOGdet1	SOG sync detect level 1		0.1	-	-	V
SOGdet2	SOG sync detect level 2		-	-	1.0	V
Analog-to-digital converter						
VrefT	Reference top voltage		1.7	1.8	1.9	V
VrefB	Reference bottom voltage		1.2	1.3	1.4	V
INL	DC integral non-linearity	Fclk = 75MHz, ramp input	-1.0	-	1.0	LSB
DNL	DC differential non-linearity	Fclk = 75MHz, ramp input	-0.5	-	0.5	LSB
SNDR	Signal to noise & distortion ratio	Fclk = 100MHz	36	-	-	dB
MAXrate	Max. conversion rate		170	-	-	MHz
CT	Cross talk	Fclk = 100MHz	-	-	-36	dB
trD	Digital output rising time		-	-	2	nS
tfD	Digital output falling time		-	-	2	nS
Phase-locked loop						
fref	PLL reference clock frequency		20	-	150	KHz
fclk	Maximum clock frequency		180			MHz
DRpll	PLL divider ratio		512	-	4095	
fvco	VCO output clock frequency		17		197	MHz
tcap	PLL capture time	In start-up condition	-	4	-	ms
trcap	PLL re-capture time	In lock condition	-	-	300	us
Φ step	Phase shift step	Tamb = 25°C	-	7.5	-	deg
j _{PLL}	PLL jitter	Fclk = 180MHz	-	200	-	ps

DIGITAL SPECIFICATIONS

Characteristics	Symbol	Min	Typ	Max	Unit
Logic input					
High level input voltage	V _{IH}	V _{DD} - 0.5	-	-	V
Low level input voltage	V _{IL}	-	-	V _{SS} + 0.5	V
High level input current	I _{IH}	-	10	-	uA
Low level input current	I _{IL}	-	10	-	uA
Input capacitance	C _{IN}	-	5	-	pF
Logic output					
High level output voltage	V _{OH}	V _{DD} - 0.5	-	-	V
Low level output voltage	V _{OL}	-	-	V _{SS} + 0.5	V
High level output current	I _{OH}	-	100	-	uA
Low level output current	I _{OL}	-	100	-	uA

PIN ASSIGNMENT



PIN DESCRIPTION

Table 1. Pin Description

No	Name	Description
1	VSSC_AR	Red channel ADC 0V analog power supply
2	VDDC_AR	Red channel ADC 5V analog power supply
3	R_IN	Red channel analog input signal
4	VDDC_PR	Red channel pre-amp 5V power supply
5	R_VOUT1	Red channel pre-amp output signal
6	VSSC_PR	Red channel pre-amp 0V power supply
7	R_CLPC	Red channel clamp control external cap.
8	VDDA_AG	Green channel ADC 3.3V analog power supply
9	VSSA_AG	Green channel ADC 0V analog power supply
10	VSSC_AG	Green channel ADC 0V analog power supply
11	VDDC_AG	Green channel ADC 5V analog power supply
12	G_IN	Green channel analog input signal
13	VDDC_PG	Green channel pre-amp 5V power supply
14	G_VOUT1	Green channel pre-amp output signal
15	VSSC_PG	Green channel pre-amp 0V power supply
16	G_CLPC	Green channel clamp control external cap.
17	VDDA_AB	Blue channel ADC 3.3V analog power supply
18	VSSA_AB	Blue channel ADC 0V analog power supply
19	VSSC_AB	Blue channel ADC 0V analog power supply
20	VDDC_AB	Blue channel ADC 5V analog power supply
21	B_IN	Blue channel analog input signal
22	VDDC_PB	Blue channel pre-amp 5V power supply
23	B_VOUT1	Blue channel pre-amp output signal
24	VSSC_PB	Blue channel pre-amp 0V power supply
25	B_CLPC	Blue channel clamp control external cap.
26	VDDC_SP	SyncProc 5V power supply
27	VSSC_SP	SyncProc 0V power supply
28	CLPex	External clamp signal input pin
29	DETCAP	SOG polarity output
30	SOG_IN	SOG signal input pin
31	HSYNC_IN	HSYNC signal input pin
32	Test	

Table 1. Pin Description (Continued)

No	Name	Description
33	SOGOUT	SOG output signal pin
34	VDD_SI	Serial interface 3.3V digital power supply
35	VSS_SI	Serial interface 0V digital power supply
36	I2C_3W	Serial interface mode selection between I ² C and 3-wire
37	ADDR_EX0	Slave address control bit
38	ADDR_EX1	Slave address control bit
39	SDA	Serial interface data signal pin
40	SCL	Serial interface clock signal pin
41	SEN	Signal enable for 3-wire serial interface
42	COAST	COAST signal input
43	ADC_CKEX	External analog to digital converter clock input
44	VDD_PP	PLL 3.3V phase detector power supply
45	VSS_PP	PLL 0V phase detector power supply
46	VSS_PV	PLL 0V analog power supply
47	VDD_PV	PLL 3.3V analog power supply
48	VCTRL	VCO control voltage
49	ITEST1	Bandgap reference current test pin
50	VDD_PC	PLL 3.3V charge-pump power supply
51	VSS_PC	PLL 0V charge-pump power supply
52	VDD_PO	PLL 3.3V VCO power supply
53	VSS_PO	PLL 0V VCO power supply
54	VDD_PD	PLL 3.3V digital power supply
55	VSS_PD	PLL 0V digital power supply
56	VSS_PK	PLL 0V clock driver power supply
57	CKB	PLL output clock with ADC frequency (phase control available)
58	VDD_PK	PLL 3.3V clock driver power supply
59	CKC	PLL output clock with ADC frequency (phase control available)
60	VBB1	Substrate 0V power supply
61	VSSR_BB	Blue channel ADC output B driver power supply (0V)
62	VDDR_BB	Blue channel ADC output B driver power supply (3.3V)
63	B_OUTB7	Blue channel ADC digital output B bit 7
64	B_OUTB6	Blue channel ADC digital output B bit 6
65	B_OUTB5	Blue channel ADC digital output B bit 5
66	B_OUTB4	Blue channel ADC digital output B bit 4
67	B_OUTB3	Blue channel ADC digital output B bit 3

Table 1. Pin Description (Continued)

No	Name	Description
68	B_OUTB2	Blue channel ADC digital output B bit 2
69	B_OUTB1	Blue channel ADC digital output B bit 1
70	B_OUTB0	Blue channel ADC digital output B bit 0
71	VSSR_BA	Blue channel ADC output A driver power supply (0V)
72	VDDR_BA	Blue channel ADC output A driver power supply (3.3V)
73	B_OUTA7	Blue channel ADC digital output A bit 7
74	B_OUTA6	Blue channel ADC digital output A bit 6
75	B_OUTA5	Blue channel ADC digital output A bit 5
76	B_OUTA4	Blue channel ADC digital output A bit 4
77	B_OUTA3	Blue channel ADC digital output A bit 3
78	B_OUTA2	Blue channel ADC digital output A bit 2
79	B_OUTA1	Blue channel ADC digital output A bit 1
80	B_OUTA0	Blue channel ADC digital output A bit 0
81	VSSR_GB	Green channel ADC output B driver power supply (0V)
82	VDDR_GB	Green channel ADC output B driver power supply (3.3V)
83	G_OUTB7	Green channel ADC digital output B bit 7
84	G_OUTB6	Green channel ADC digital output B bit 6
85	G_OUTB5	Green channel ADC digital output B bit 5
86	G_OUTB4	Green channel ADC digital output B bit 4
87	G_OUTB3	Green channel ADC digital output B bit 3
88	G_OUTB2	Green channel ADC digital output B bit 2
89	G_OUTB1	Green channel ADC digital output B bit 1
90	G_OUTB0	Green channel ADC digital output B bit 0
91	G_OUTA7	Green channel ADC digital output A bit 7
92	G_OUTA6	Green channel ADC digital output A bit 6
93	G_OUTA5	Green channel ADC digital output A bit 5
94	G_OUTA4	Green channel ADC digital output A bit 4
95	G_OUTA3	Green channel ADC digital output A bit 3
96	G_OUTA2	Green channel ADC digital output A bit 2
97	G_OUTA1	Green channel ADC digital output A bit 1
98	G_OUTA0	Green channel ADC digital output A bit 0
99	VSSR_GA	Green channel ADC output A driver power supply (0V)
100	VDDR_GA	Green channel ADC output A driver power supply (3.3V)
101	R_OUTB7	Red channel ADC digital output B bit 7
102	R_OUTB6	Red channel ADC digital output B bit 6

Table 1. Pin Description (Continued)

No	Name	Description
103	R_OUTB5	Red channel ADC digital output B bit 5
104	R_OUTB4	Red channel ADC digital output B bit 4
105	R_OUTB3	Red channel ADC digital output B bit 3
106	R_OUTB2	Red channel ADC digital output B bit 2
107	R_OUTB1	Red channel ADC digital output B bit 1
108	R_OUTB0	Red channel ADC digital output B bit 0
109	VDDR_RB	Red channel ADC output B driver power supply (3.3V)
110	VSSR_RB	Red channel ADC output B driver power supply (0V)
111	R_OUTA7	Red channel ADC digital output A bit 7
112	R_OUTA6	Red channel ADC digital output A bit 6
113	R_OUTA5	Red channel ADC digital output A bit 5
114	R_OUTA4	Red channel ADC digital output A bit 4
115	R_OUTA3	Red channel ADC digital output A bit 3
116	R_OUTA2	Red channel ADC digital output A bit 2
117	R_OUTA1	Red channel ADC digital output A bit 1
118	R_OUTA0	Red channel ADC digital output A bit 0
119	VDDR_RA	Red channel ADC output A driver power supply (3.3V)
120	VSSR_RA	Red channel ADC output A driver power supply (0V)
121	NC1	No connection
122	NC2	
123	VSS_A	ADC 0V digital power supply
124	VDD_A	ADC 3.3V digital power supply
125	VSYNCO	VSYNCO output
126	ADC_CK	ADC clock output
127	ADC_CKB	Inverted ADC clock output
128	HSYNCO	HSYNCO output
129	RESETB_EX	External inverted reset signal input
130	PDB	Power down control pin (input)
131	VSSG	ADC 0V analog power supply
132	VDDG	ADC 3.3V analog power supply
133	VREFB	ADC reference bottom voltage
134	VREFT	ADC reference top voltage
135	VINN	ADC negative input for test
136	VINP	ADC positive input for test
137	VSSD_A	ADC 0V digital power supply

Table 1. Pin Description (Continued)

No	Name	Description
138	VDDD_A	ADC 5V digital power supply
139	VBB2	Substrate 0V power supply
140	VSS_DAC	Pre-amp DAC 0V analog power supply
141	VDD_DAC	Pre-amp DAC 5V analog power supply
142	ITEST	Pre-amp control DAC current test pin
143	VDDA_AR	Red channel ADC 3.3V analog power supply
144	VSSA_AR	Red channel ADC 0V analog power supply

DESCRIPTION OF EACH BLOCK

AD2516X is equipped with a pre-amp that can control the gain and clamp level and can generate the pixel clock synchronized to input HSYNC through the internal PLL. It then converts the RGB signal from analog -to- digital by synchronizing to the generated clock. It has a maximum conversion speed of 180MHz and is capable of supporting up to UXGA (1600 × 1200).

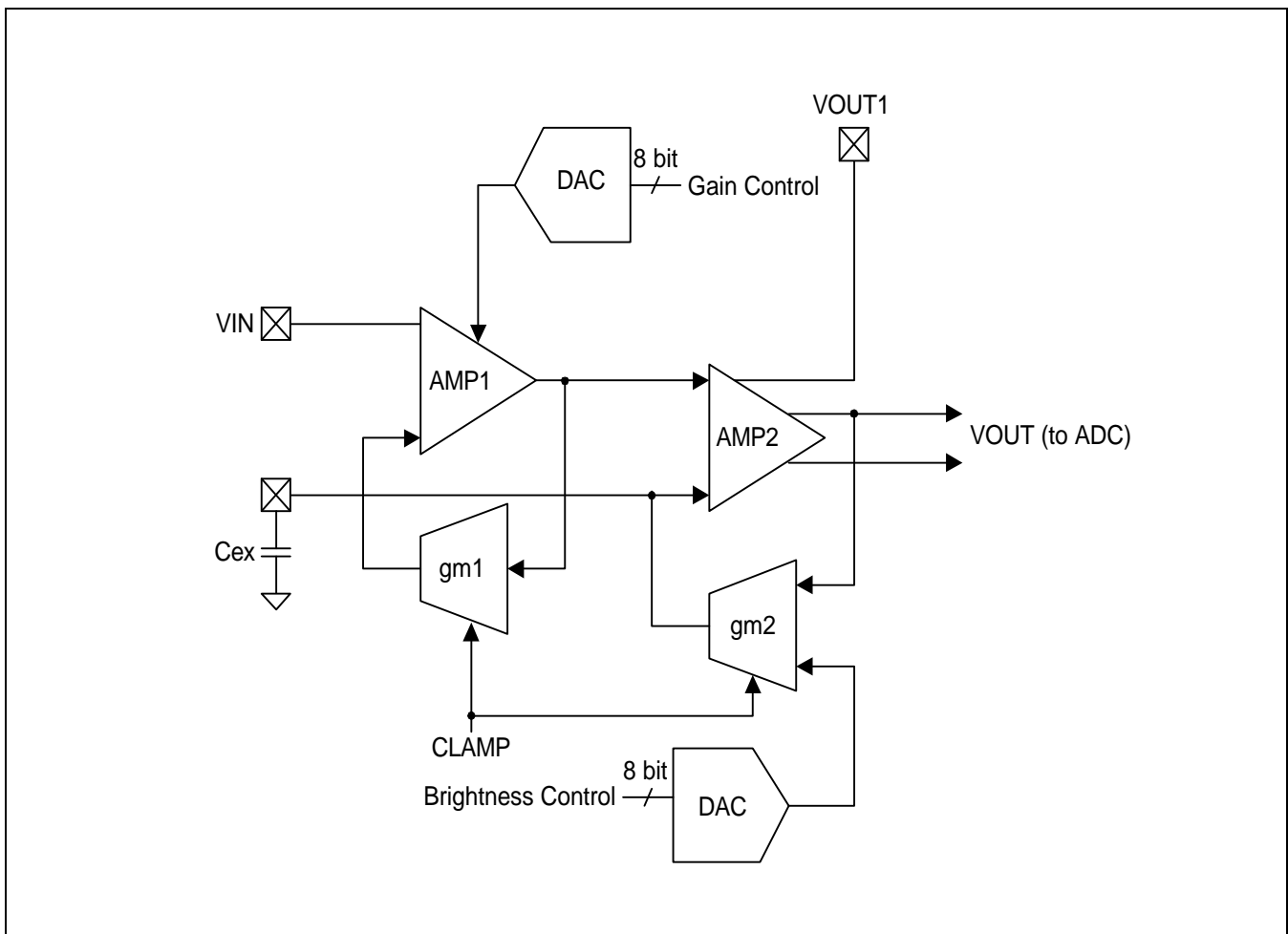


Figure 1. Pre-amp Block Diagram

Figure 1 is a block diagram of the pre-amp that is used in AD2516X. A clamp circuit is required to set the input DC level because the RGB signal input is AC coupled as it passes through the capacitor to be sent to the pre-amp. The signal to control the clamp is made from the HSYNC signal in the sync processor block. The clamp level control, which uses an 8-bit DAC, has two modes, first, the coarse level control that controls 3 RGB channels simultaneously and, second, the fine level control that controls each channel clamp level independently. The input signal is gain controlled through the 8-bit DAC for a maximum gain amplification of 2.3dB. As in the clamp level control, the pre-amp has two modes: 1.) coarse level control that controls 3 RGB channels simultaneously and 2.) fine level control which controls them independently.

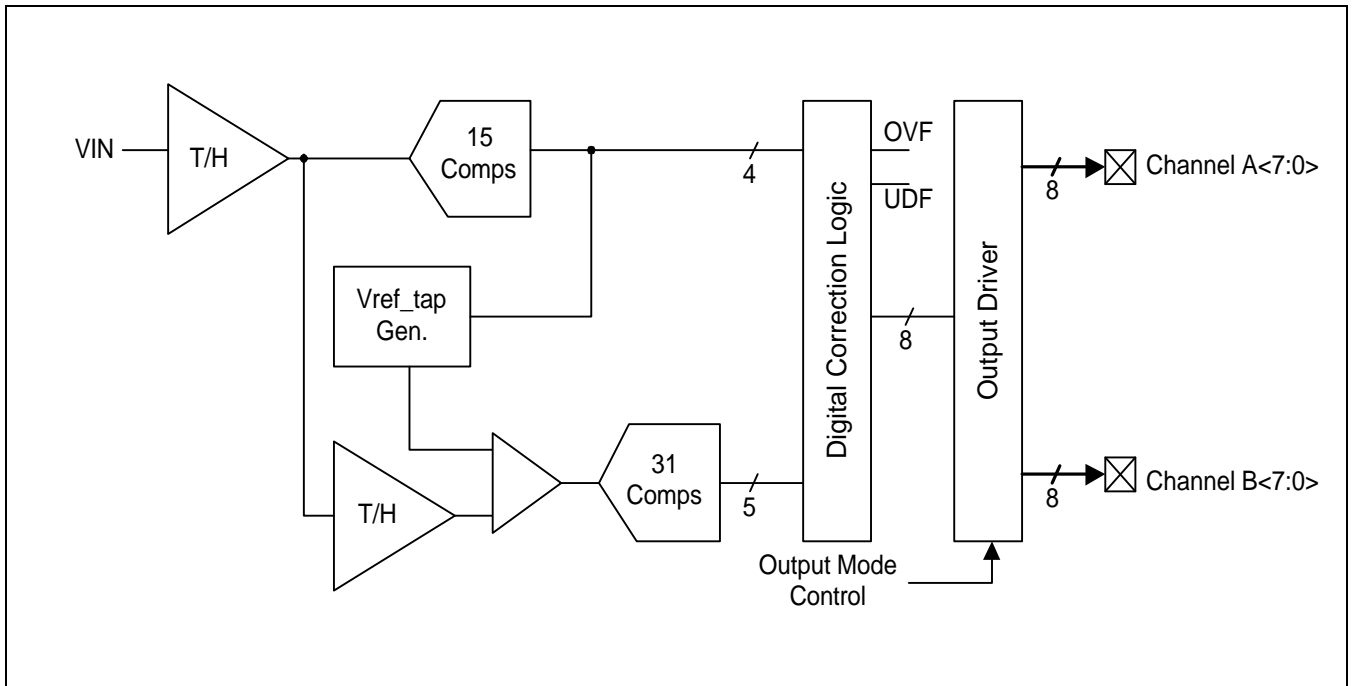


Figure 2. ADC Block Diagram

Figure 2 which has the 2-step pipeline configuration is a block diagram of the ADC used in AD2516X. It uses 1 overlap bit for digital correction and supports 3 output modes, signal channel mode, dual channel interleaving mode, and dual channel parallel mode.

The sync processor block converts the HSYNC or SOG input to a positive HSYNC signal, which can be processed by PLL, and also makes the clock signal needed for clamp level control from the HSYNC. When HSYNC and SOG inputs enter simultaneously, it is designed to place priority on the HSYNC.

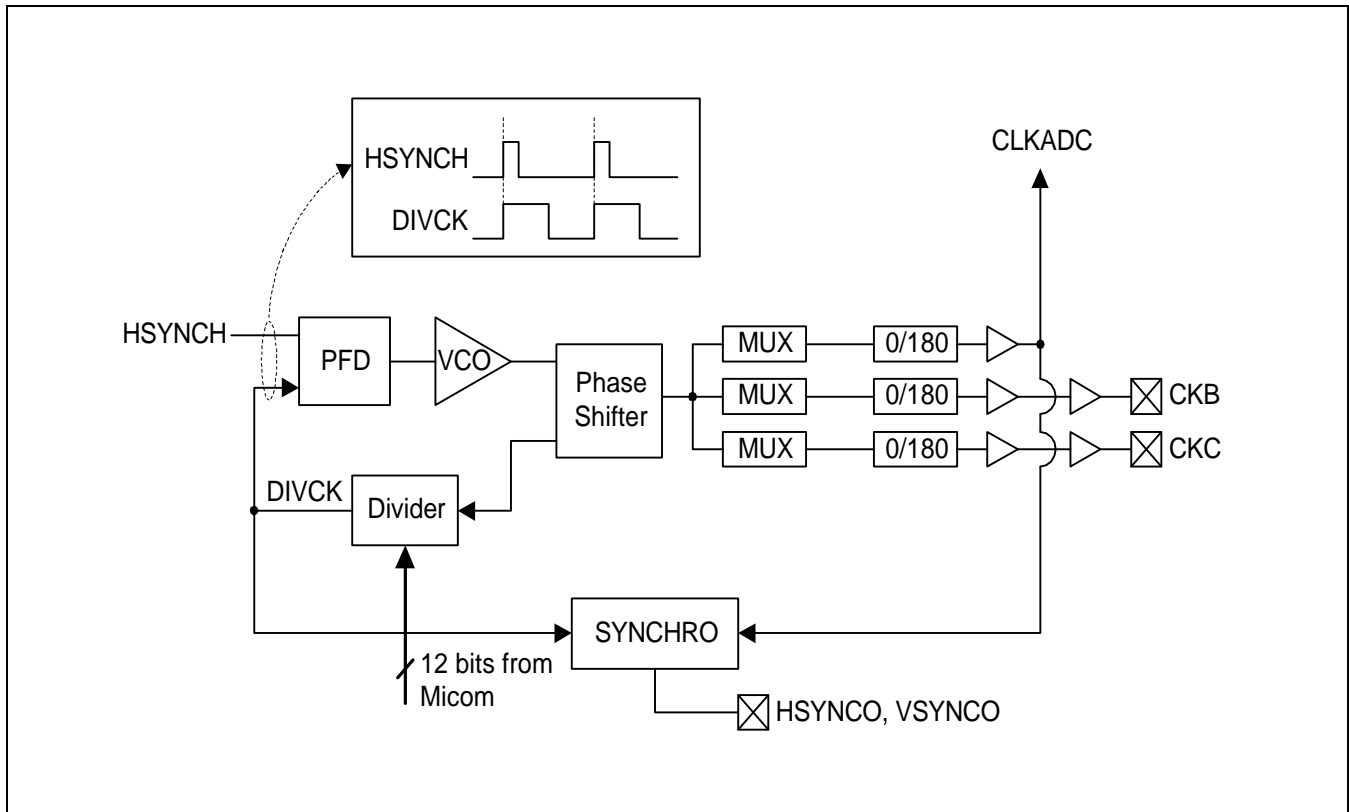


Figure 3. PLL Block Diagram

Figure 3 is a block diagram of the PLL used in AD2516X. It generates the pixel clock by using the positive HSYNC signal from the sync processor block and the divider coefficient determined by the resolution. The reference clock frequency range is between 20kHz - 150kHz and the maximum output clock frequency is 180MHz. It produces two clock signals having the ADC clock frequency and each signal can have 7.5° phase control.

AD2516X is controlled entirely through serial interface, which supports two modes -12C bus and 3-wire interface.

REGISTER CONFIGURATION**PRE-AMP**

Sub Addr.	Bit	Name	Description	Default Value	
00H	<7:0>	S00<7:0>	RGB coarse gain control	80H	
01H	<7:0>	S01<7:0>	R fine gain control	80H	
02H	<7:0>	S02<7:0>	G fine gain control	80H	
03H	<7:0>	S03<7:0>	B fine gain control	80H	
04H	<7:0>	S04<7:0>	RGB coarse bright control	80H	
05H	<7:0>	S05<7:0>	R fine bright control	80H	
06H	<7:0>	S06<7:0>	G fine bright control	80H	
07H	<7:0>	S07<7:0>	B fine bright control	80H	
08H	<4>	PHSYNC	HSYNC (input) polarity	0	00H
	<3>	HSEL	HSYNC select	0	
	<2>	CLPENB	Clamp control	0	
	<1:0>	CW<1:0>	Clamp pulse width control	00	
09H	<7:0>	DACTEST<7:0>	DAC output selection for test	FFH	

ANALOG TO DIGITAL CONVERTER (ADC)

Sub Addr.	Bit	Name	Description	Default Value	
0AH	<7:6>	M<1:0>	Output mode selection	00	00H
	<5>	ADCK_ENB	ADC clock output enable	0	
	<4>	ADCK_INV	ADC clock output inverting	0	
	<3>	ADCK_SEL	ADC clock selection control	0	
	<2:1>	ADOM<1:0>	ADC output buffer control	00	
	<0>			0	

PHASE LOCKED LOOP (PLL)

Sub Addr.	Bit	Name	Description	Default Value	
0BH	<7:6>	IFRSH<1:0>	VCO free running control	00	24H
	<5:3>	IFRSEL<2:0>	VCO range control	100	
	<2:0>	ICPSEL<2:0>	Charge pump current control	100	
0CH	<7>	VSINV	VSYNC out polarity	0	00H
	<6>	DEINV	DEN out polarity	0	
	<5:0>	AC<5:0>	CKA phase control	000000	
0DH	<7:6>	HSYNMOD<1:0>	HSYNC out polarity	00	00H
	<5:0>	BC<5:0>	CKB phase control	000000	
0EH	<6>	PCOAST	COAST (input) polarity	0	00H
	<5:0>	CC<5:0>	CKC phase control	000000	
0FH	<7:0>	DIV<11:0>	Divider control MSB <11:4>	01101000	68H
10H	<7:4>		Divider control LSB <3:0>	0000	00H
	<1:0>	Test <9:0>	Test out length MSB <9:8>	00	
11H	<7:0>		Test out length LSB <7:0>	00000000	00H
12H	<7:0>	Test <7:0>	Test out delay	00000100	04H
13H	<7:0>	HSD<11:0>	HSYNC out length MSB <11:4>	00000000	00H
14H	<7:4>		HSYNC out length LSB <3:0>	0100	40H
	<3:0>	VSL<11:0>	VSYNC out length MSB <11:8>	0000	
15H	<7:0>	VSL	VSYNC out length LSB <7:0>	00000011	03H
16H	<7:0>	VSD<7:0>	VSYNC out delay	00000000	00H
17H	<7>	CKA_ENB	CKA output enable	0	00H
	<6>	CKB_ENB	CKB output enable	0	
	<5>	CKC_ENB	CKC output enable	0	
	<4>	CKA_INV	CKA (ADC input clock) inverting	0	
	<3>	CKB_INV	CKB inverting	0	
	<2>	CKC_INV	CKC inverting	0	
	<1>	VI_GAIN	PLL VI converter gain control	0	

I²C AND 3-WIRE SERIAL INTERFACE BLOCK DESCRIPTION

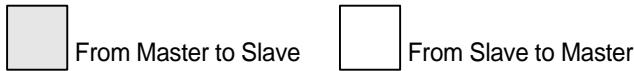
Interface Pin:

- Input: I²C_3W, SEN, SCL, ADDR_EX<1:0>
- In-out: SDA

Pin Description:

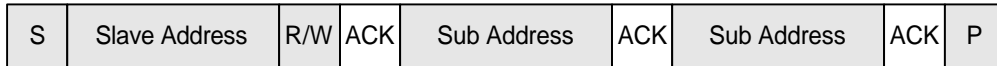
- I²C_3W: Serial interface mode selection
0 → I²C interface mode, 1 → 3-Wire interface mode
- SEN: 3-Wire interface mode data enable signal
0 → enable, 1 → disable
- SDA: Serial data input output port
- SCL: Serial interface reference clock input
- ADDR_EX<1:0>: I²C slave address identifier

I²C Timing Diagram

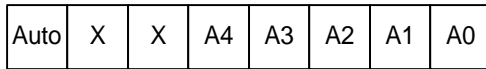


- S : Start condition
- P : Stop condition
- rS: Repeated start condition

Write Mode: R/W = 0



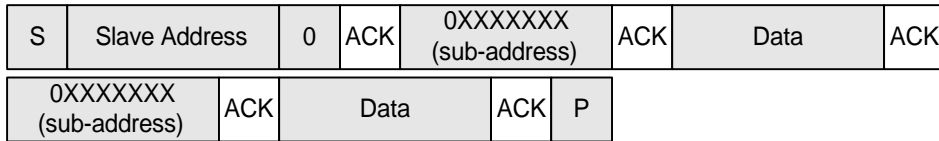
Write Mode: R/W = 0



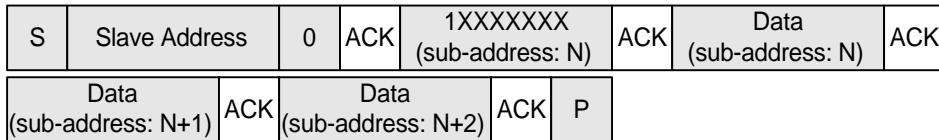
Auto: Sub address auto increment control bit

- 0: Disable
- 1: Enable

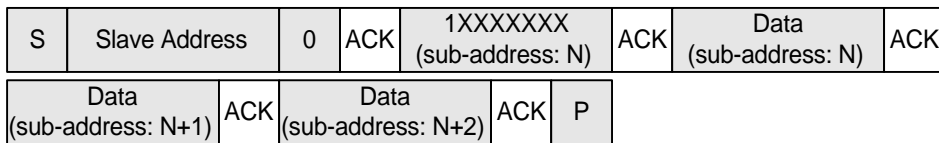
Auto = 0



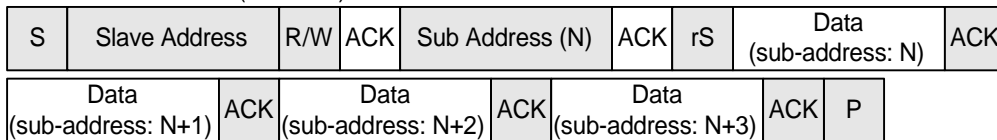
Auto = 1



Auto = 1



Read Mode: R/W = 1 (Auto = X)



Wired Interface Timing Diagram

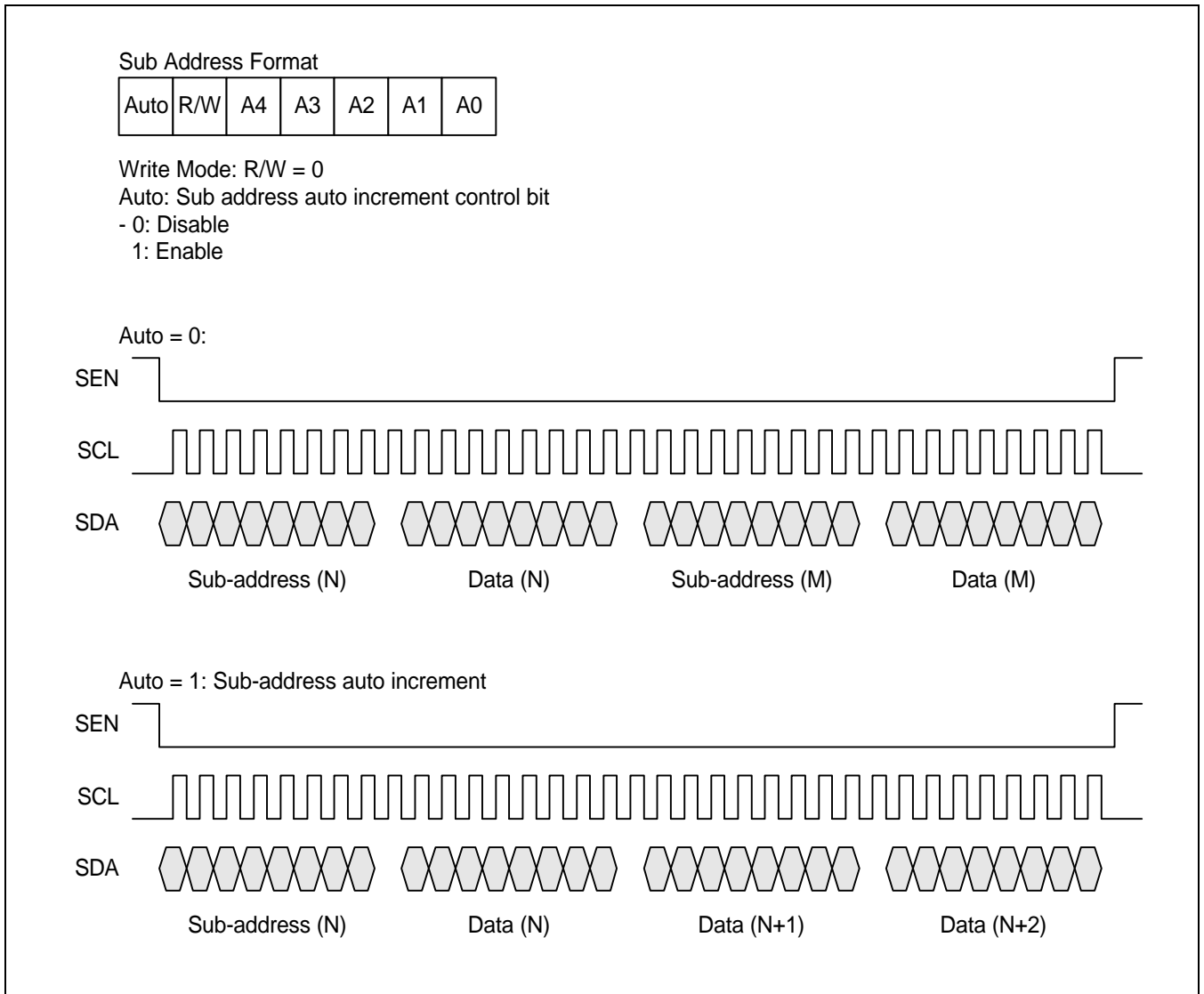


Figure 4. Wired Interface Write Mode Timing Diagram

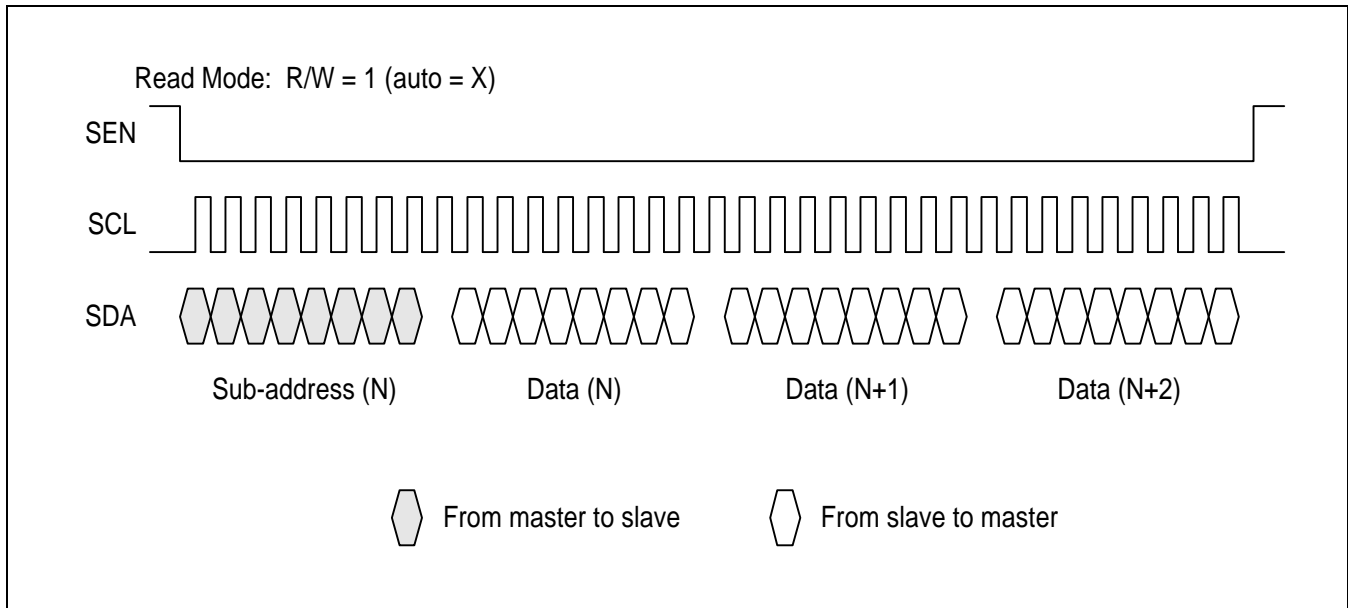


Figure 5. Wired Interface Read Mode Timing Diagram

Serial Interface Description

Pre-amp Gain Control

- Coarse gain control (S00)
RGB coarse gain control with same value. (dynamic gain range: 40dB)
- Fine gain control (S01 - S03)
RGB fine gain control independently. (dynamic gain range : 11 dB)
- Coarse brightness control (S04)
RGB coarse brightness control with same value. (clamp range: 0 - 4V)
- Fine brightness control (S05 - S07)
RGB fine bright control independently. (clamp range: -0.5V - 0.5V)

Sync Processor Control

- HSYNC selection control (HSEL)
HSEL = 0: Internally polarity converted HSYNC is used
HSEL = 1: Default HSYNC is used
- HSYNC input polarity control (PHSYNC)
It is available if HSEL = 1
PHSYNC = 0: Default HSYNC input is used
PHSYNC = 1: Inverted HSYNC input is used
- Clamp control clock selection (CLPENB)
CLPENB = 0: Internal clamp signal
CLPENB = 1: External clamp signal (by CLPex)

- Clamp pulse width control (CW)

CW<1:0>	Pulse Width
00	0.31us
01	0.54us
10	0.78us
11	1.01us

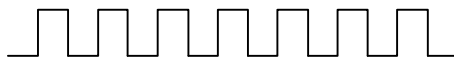
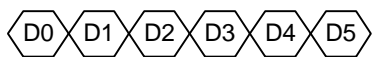
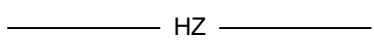
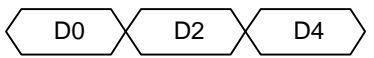
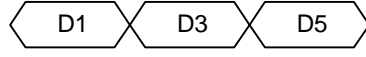
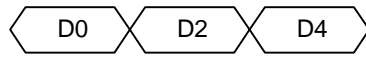
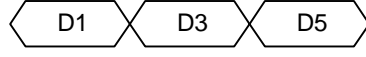
- DACTEST output selection control (DACTEST)
Select one of eight DAC output current

DACTEST<7:0>	Selected DAC
11111111	No selection
11111110	Coarse gain control DAC
11111101	Red channel fine gain control DAC
11111011	Green channel fine gain control DAC
11110111	Blue channel fine gain control DAC
11101111	Coarse brightness control DAC
11011111	Red channel fine brightness control DAC select
10111111	Green channel fine brightness control DAC select
01111111	Blue channel fine brightness control DAC select

Analog-to-Digital Converter (ADC) Control

- Output mode selection (M)

M<1:0>	Output mode
00	Single channel output mode
01	Dual channel interleaving output mode
10	Dual channel parallel output mode

Output mode	ADC_CK 
Single channel output mode	Channel A  Channel B 
Dual channel interleaving output mode	Channel A  Channel B 
Dual channel parallel output mode	Channel A  Channel B 

- ADC clock output control (ADCK_ENB)
ADCK_ENB = 0: Output clock is enabled
ADCK_ENB = 1: Output clock is disabled (HZ)
- ADC clock output inverting control (ADCK_INV)
ADCK_INV = 0: Default ADC_CK and ADC_CKB output
ADCK_INV = 1: Inverted ADC_CK and ADC_CKB output
- ADC clock selection control (ADCK_SEL)
ADCK_SEL = 0: Internal PLL output is used
ADCK_SEL = 1: External clock (ADC_CKEX) is used
- ADC output buffer state control (ADOM)

ADOM<1:0>	Output Buffer State
00	Normal output mode
01	01010101
10	10101010
11	High impedance

Phase-Locked loop (PLL) Control

- VCO free running frequency control (IFRSH)

IFRSH<1:0>	Free Running Frequency
00	Default VCO max. freq.
01	Increase VCO max. freq. 7.5%
10	Increase VCO max. freq. 15%
11	Increase VCO max. freq. 30%

- VCO frequency range control (IFRSEL)

IFRSEL<2:0>	Frequency Range (MHz)	IFRSEL<2:0>	Frequency Range (MHz)
000	17 - 53	100	103 - 143
001	34 - 78	101	136 - 165
010	65 - 103	110	162 - 187
011	94 - 118	111	181 - 197

- Charge pump current control (ICPSEL)

ICPSEL<2:0>	Current (uA)	ICPSEL<2:0>	Current (uA)
000	50	100	500
001	100	101	750
010	150	110	1400
011	350	111	

- VSYNCO polarity control (VSINV)
VSINV = 0: Non-inverted VSYNC output
VSINV = 1: Inverted VSYNC output
- DENO polarity control (DEINV)
DEINV = 0: Non-inverted DENO output
DEINV = 1: Inverted DENO output
- HSYNCO polarity control (HSYNMOD)

HSYNMOD<1:0>	Output Polarity
00	Positive HSYNCO
01	Negative HSYNCO
10	Same polarity with input HSYNC
11	Inverted polarity with input HSYNC

- COAST input polarity control (PCOAST)
PCOAST = 0: Default COAST signal is used
PCOAST = 1: Inverted COAST signal is used
- PLL output clock phase control (AC, BC, CC)
AC<5:0>: ADC clock phase control
BC<5:0>: CKB output clock phase control
CC<5:0>: CKC output clock phase control
0 to 47 is available 7.5° phase control by LSB

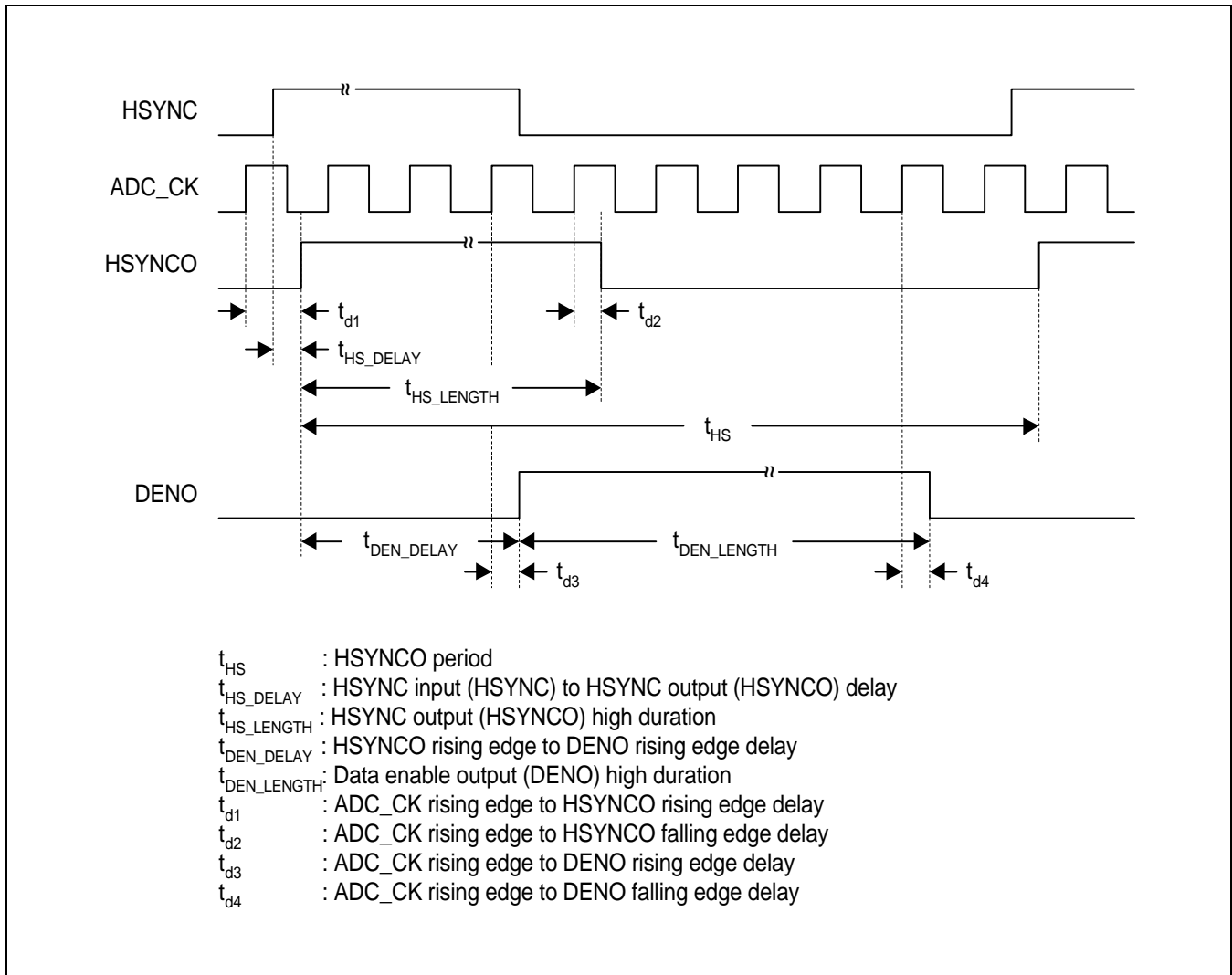


Figure 6. HSYNCO and DENO Output Timing Diagram

- Divider register (DIV)
This register controls the PLL frequency. Default value is 1664 (680H)
 $t_{HS} = T \times DIV$ (T : VCO clock period, $512 \leq DIV \leq 4096$)
- HSYNCO duty control (HSD)
 $t_{HS_LENGTH} = HSD \times T - t_{d1} + t_{d2}$, $HSD \geq 5$
- DENO signal delay control (DED)
 $t_{DEN_DELAY} = DED \times T - t_{d1} + t_{d3}$, $DED \geq 5$
- DENO duty control (DEL)
 $t_{DEN_LENGTH} = (DIV - DED - DEL) \times T - t_{d3} + t_{d4}$, $DEL \geq 5$

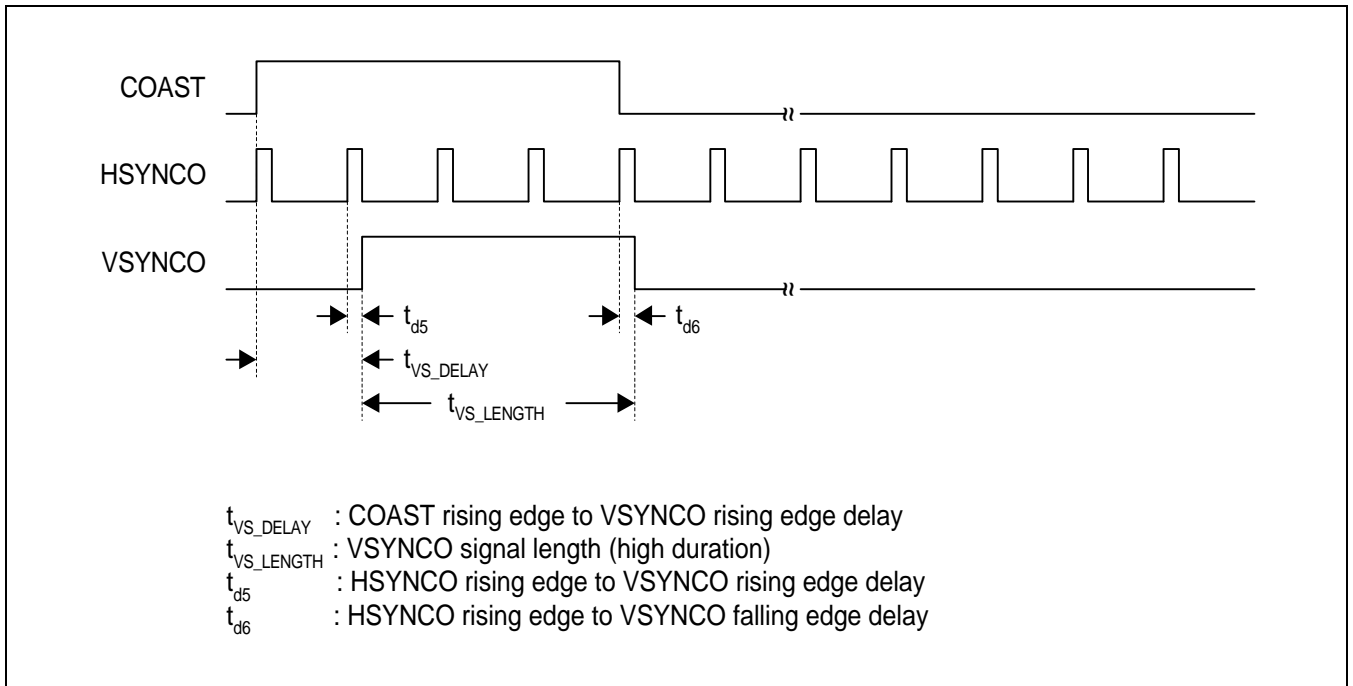


Fig7. VSYNCO Output Timing Diagram

- VSYNCO signal delay control (VSD)
 $t_{VS_DELAY} = VSD \times DIV \times T - t_{d5}, VSD \geq 0$
- VSYNCO signal length control (VSL)
 $t_{VS_LENGTH} = VSL \times DIV \times T - t_{d5} + t_{d6}, VSL \geq 1$
- PLL output clock enable (CKA_ENB, CKB_ENB, CKC_ENB)
 0: Output is enabled
 1: Output is disabled (low output)
- PLL output clock inverting control (CKA_INV, CKB_INV, CKC_INV)
 0: Non-inverted clock output
 1: Inverted clock output
- PLL VI converter gain control (VI_GAIN)
 0: 375 uA/V
 1: 470 uA/V

TIMING DIAGRAM

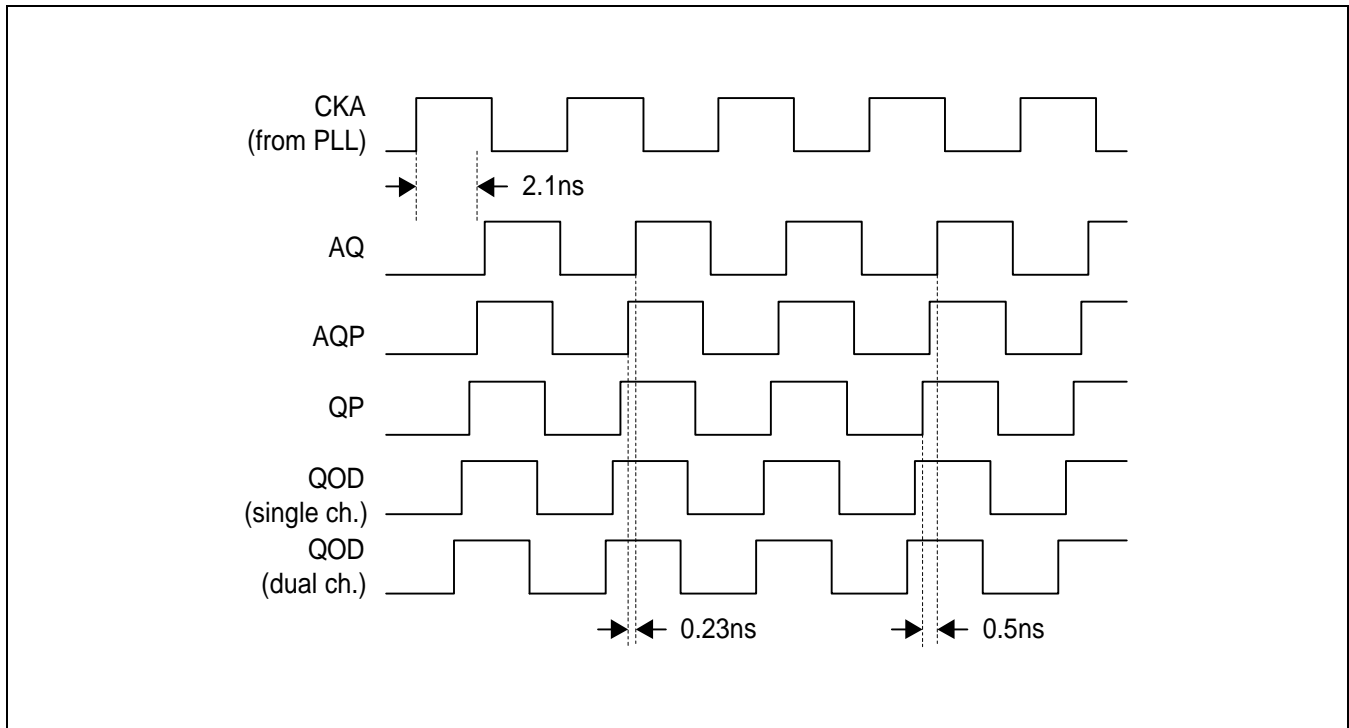


Figure 9. ADC Clock Timing Diagram

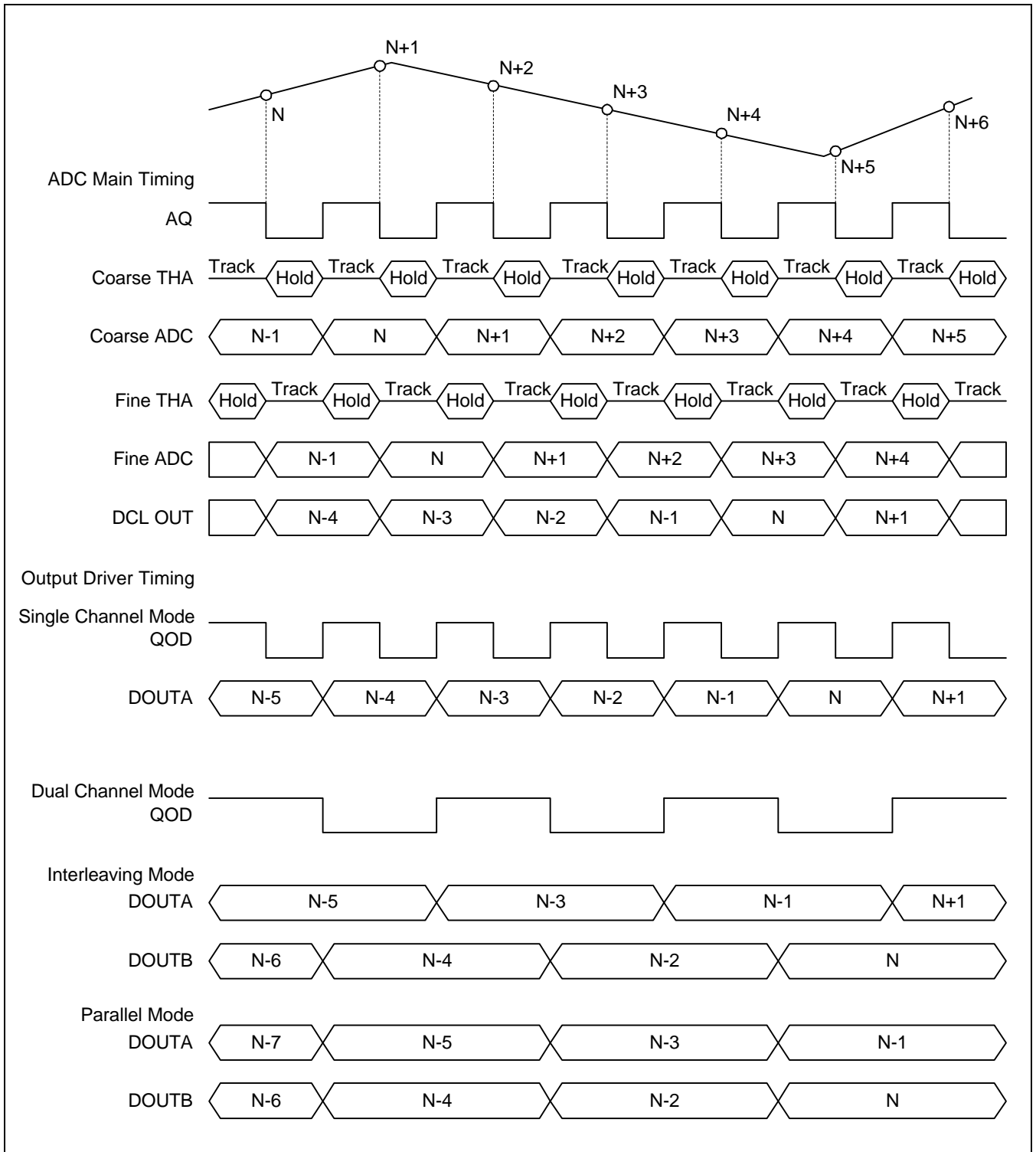
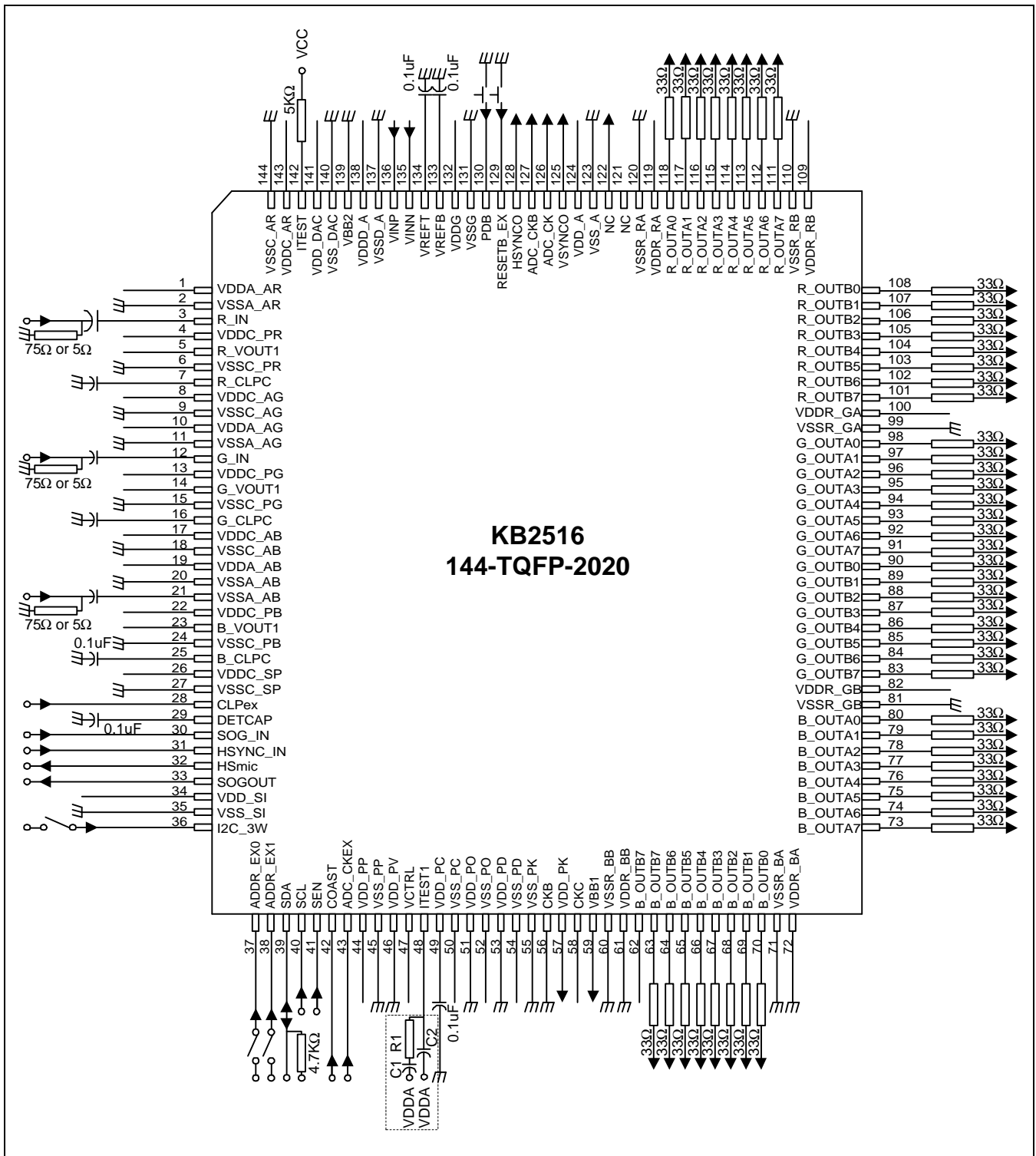


Figure 10. ADC Timing Diagram

APPLICATION CIRCUIT



All supply pins have to be decoupled, with two capacitors: one for high frequencies (approximately 1nF) and one for the low frequencies (approximately 100nF or higher).

PLL loop filter (C1, C2, R1)

$$f_n = \frac{1}{2p} \sqrt{\frac{K_o I_p}{(C_1 + C_2)N}}$$

where :

f_n = the natural PLL frequency

K_o = the VCO gain

N = the division number

C_1 and C_2 = capacitors of the PLL filter

$$f_z = \frac{1}{2p \times R_1 \times C_1} \quad \text{and} \quad \mathbf{x} = \frac{1}{2} \times \frac{f_n}{f_z}$$

where :

f_z = loop filter zero frequency

R_1 = the chosen resistance for the filter

\mathbf{x} = the damping factor

C_1 , C_2 , and R_1 values are selected to satisfy the following conditions.

$$f_n / f_{ref} \cong 0.05$$

$$\mathbf{x} \cong 1.5$$

PACKAGE DIMENSION

