

# ADC3214

## High Speed, 14-Bit, 1 MHz, Sampling A/D Converter

With Built-in Sample-and-Hold Amplifier

### Introduction

The ADC3214 is a 14-bit, 1 MHz A/D converter with a built-in sample-and-hold amplifier. It was designed for use in applications requiring high speed and high resolution front ends, such as ATE, medical imaging, radar, communications, and analytical instrumentation. The ADC3214 is a cost-effective solution for both time and frequency domain applications. It is capable of digitizing a 500 kHz signal at a 1 MHz rate with a guarantee of no missing codes. Signal-to-noise ratio is 76 dB at input frequencies from DC to 100 kHz. With a 1 MHz sampling rate and a full-scale step response to 14-bit accuracy of one conversion, this sampling A/D converter is ideally suited for applications with multiplexed signal sources.

The ADC3214 utilizes the latest surface-mount technologies to produce a cost-effective, high-performance part in a 2" x 3" fully shielded package. It is designed around a two-pass, subranging architecture that integrates a low distortion sample-and-hold amplifier, precision voltage reference, all the necessary timing circuitry and tri-state CMOS/TTL-compatible outputs for ease of system integration.

Continued on page 3.



### Features

- 14-Bit Resolution
- 1 MHz Throughput Rate
- Reduced Cost
- Reduced Size
- No Missing Codes:  
0°C to +60°C
- Signal-to-Noise Ratio:  
76 dB
- Peak Distortion:  
-82 dB @ 100 kHz
- Total Harmonic Distortion:  
-80 dB @ 100 kHz
- Ease of Use
- Built-In S/H Amplifier
- TTL Compatibility
- High Input Impedance  
(100 M $\Omega$ )

### Applications

- Radar
- Analytical Instrumentation
- Spectroscopy
- Digital Telecommunications
- Automatic Test Equipment
- High-Resolution Imaging
- Medical Data Acquisition
- Multiplexed Data Acquisition

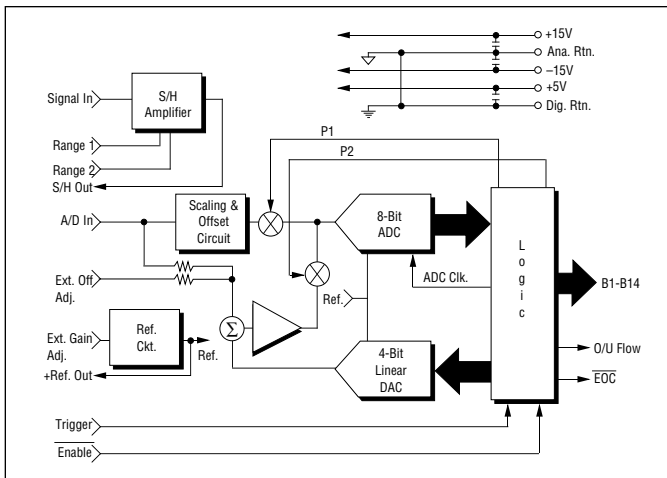


Figure 1. ADC3214 Functional Block Diagram.

# ADC3214

## Specifications<sup>1</sup>

### ANALOG INPUT

**Input Range**

±1.25V, ±2.5V

**Input Bias Current**

5 nA Max.

**S/H Input Capacitance**

10 pF Typ.

**S/H Input Resistance**

100 MΩ Min.

**A/D Input Resistance**

1.25 kΩ to Ground

### DIGITAL INPUTS

**Compatibility**

CMOS, TTL

**Logic Levels****Logic "0"**

-0.5V Min., 0.8V Max.

**Logic "1"**

2.0V Min., 5.5V Max.

**Trigger**

Negative Edge Triggered

**Loading**

1 TTL Load

**Pulse Width**

210 ns Min., 390 ns Max.

**Output Enable**

Active Low; B1-B14, O/U Flow

**Propagation Delay**

50 ns Max.

### DIGITAL OUTPUTS

**Maximum Output Drive**

±2 mA Min.

**Logic Levels****Logic "0"**

0V Min., +0.4V Max.

**Logic "1"**

+3.5V Min., 5.0V Max.

**Output Coding**

Parallel Data, Offset Binary

**EOC**

Falling Edge, data valid 20 ns prior to falling edge

**Over/Under Flow**

Active High; 1/2 code below FS

### INTERNAL REFERENCE

**Voltage**

10.0V Typ.

**Stability**

±15 ppm/°C Typ.

**Available Current<sup>2</sup>**

1 mA Max.

### DYNAMIC CHARACTERISTICS

**Maximum Throughput Rate**

1 MHz Min.

**A/D Conversion Time**

600 ns Max.

**S/H Aperture Delay**

10 ns Typ.

**S/H Aperture Jitter**

15 ps RMS Typ., 30 ps RMS Max.

**S/H Feedthrough<sup>3</sup>**

-84 dB Typ., -80 dB Max.

**Full Power Bandwidth**

1.5 MHz Min., 2.5 MHz Typ.

**Small Signal Bandwidth**

3.5 MHz Typ.

**Signal to Noise Ratio<sup>4</sup>**

76 dB Min., 78 dB Typ.

**Peak Distortion<sup>5</sup>****10 kHz**

-86 dB Max., -95 dB Typ.

**100 kHz**

-82 dB Max., -89 dB Typ.

**540 kHz**

-76 dB Typ.

**Total Harmonic Distortion<sup>6</sup>****10 kHz**

-84 dB Max.

**100 kHz**

-80 dB Max.

**540 kHz**

-74 dB Typ.

**Step Response<sup>7</sup>**

400 ns to ±0.01%

500 ns to ±0.006%

### TRANSFER CHARACTERISTICS

**Resolution**

14 bits

**Quantization Error**

±0.5 LSB

**Relative Accuracy**

±0.006% FSR Max.

**Differential Non-Linearity**

±0.75 LSB @ 25°C, ±1 LSB from 0°C to 60°C

**Monotonicity**

Guaranteed

**No Missing Codes**

Guaranteed from 0°C to 60°C

**Offset Error<sup>8</sup>**

±5 mV Max.

**Gain Error<sup>8</sup>**

±0.1% FSR Max.

**Noise<sup>9</sup>**

180 μV RMS Typ., 266 μV RMS Max.

### STABILITY (0°C TO 60°C)

**Differential Non-Linearity**

±1 ppm FSR/°C Max.

**Offset Voltage**

±100 μV/°C Max.

**Gain**

±25 ppm FSR/°C Max.

**Warm-Up Time**

10 minutes

**±15V Supply Rejection**

±15 ppm FSR/% change Max.

**Offset**

±15 ppm FSR/% Change Max.

**Gain**

±15 ppm FSR/% Change Max.

**+5V Supply Rejection****Offset**

±60 ppm FSR/% Change Max.

**Gain**

±60 ppm FSR/% Change Max.

### POWER REQUIREMENTS<sup>10</sup>

**±15V Supplies**

14.25V Min., 15.75V Max.

**+5V Supply**

+4.75V Min., +5.25V Max.

**+15V Current Drain**

48 mA Typ.

**-15V Current Drain**

63 mA Typ.

**+5V Current Drain**

132 mA Typ.

**Power Consumption**

2.35W Typ.

### ENVIRONMENTAL & MECHANICAL

**Temperature Range****Rated Performance**

0°C to 60°C

**Storage**

-25°C to 75°C

**Relative Humidity (Non-condensing)**

0 to 85% to 60°C

**Dimensions**

1.99" x 2.99" x 0.44"  
(50.5 x 75.9 x 11.2 mm)

**Shielding**

Electromagnetic 5 sides

**Case Potential**

Ground

**NOTES**

1. Unless otherwise noted, all specifications apply at 25°C ambient with power supplies of ±15V and ±5V.
2. External Reference Load to remain stable during conversion.
3. Measured with a full scale step input with a 20V/μs slew rate.
4. Signal-to-noise ratio represents the ratio between the RMS value of the signal and the total RMS noise below the Nyquist rate. The total RMS noise is computed by: (1) summing the noise power in all frequency bins not correlated with the test signal; (2) estimating the total noise power contained in all harmonic frequency bins; and (3) computing the RMS noise from the sum of (1) and (2).
5. Peak distortion represents the ratio between the highest spurious frequency component below the Nyquist rate and the signal. Note that in computing peak distortion the estimated noise allocated to the harmonic frequency bins in computing SNR is first removed. See Note 4.
6. Total harmonic distortion represents the ratio between the RMS sum of all harmonics up to the 100th harmonic and the RMS value of the signal. Note that in computing total harmonic distortion, the estimated noise allocated to the harmonic frequency bins in computing SNR is first removed. See Note 4.
7. Step Response represents the time required to achieve the specified accuracies after a full scale step change at the signal input, specified at a 1 MHz throughput rate.
8. Externally adjustable to zero. See coding and trim procedure.
9. Thermal noise from the S/H and A/D converter, not including quantization noise.
10. Analogic highly recommends the use of linear power supplies with its high performance, high resolution A/D converters. However, if system requirements provide only a +5V supply and limited space, the use of the Analogic SP7015 DC-to-DC converter will provide a low noise solution which will not degrade the ADC3214 performance.

*Specifications subject to change without notice.*

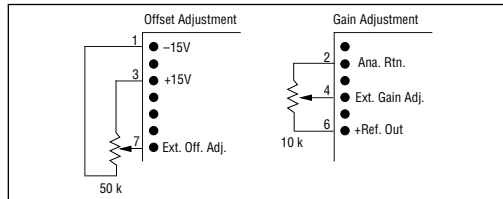
*Continued from page 1.*

Superior performance and ease-of-use make the ADC3214 the ideal solution for applications requiring a sample-and-hold amplifier directly at the input to the A/D converter. Having the S/H amplifier integrated with the A/D converter benefits the system designer in two ways. First, the S/H has been designed specifically to complement the performance of the A/D converter; for example, the acquisition time, hold mode settling and droop rate have been optimized for the A/D converter, resulting in exceptional overall performance. Second, the designer achieves true 14-bit performance, avoiding degradation due to ground loops, signal coupling, jitter and digital noise introduced when separate S/H and A/D converters are interconnected. Furthermore, the accuracy, speed, and quality of the ADC3214 are fully ensured by thorough, computer-controlled factory tests of each unit.

**ADC3214 SPECIFICATIONS**

**Coding and Trim Procedure**

Refer to Figures 2 and 3 for the ADC3214 Coding and Trim Procedure. Figure 2 shows the external Offset and Gain Adjust configuration. Figure 3 shows the output Offset Binary coding of the ADC3214 A/D converter. The voltages mentioned in the following Trim Procedure refer to the ±2.5V input range with the numbers in parentheses referring to the ±1.25V input range.



**Figure 2. External Offset and Gain Adjust Configuration.**

To trim the offset of the ADC3214, apply -153 μV (-76 μV) to the analog input. Adjust the external offset trim potentiometer such that each of the 14 bits alternates equally between “0” and “1”. Using the setup as described in Figure 2, the sensitivity of the offset adjustment is typically 6 LSBs per volt.

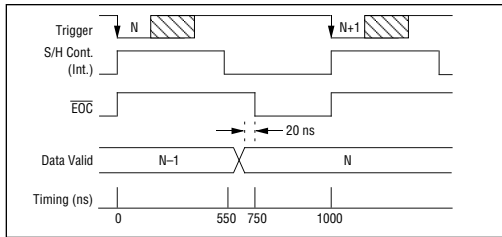
To trim the gain of the ADC3214, apply +2.499542V (+1.249771V) to the analog input and adjust the external gain trim potentiometer such that the 13 MSBs are “1” and the LSB alternates equally between “0” and “1”. Using the setup as described in Figure 2, the sensitivity of the gain adjustment is typically 0.14% per volt.

DIGITAL OUTPUT	ANALOG INPUT	
	±1.25V	±2.5V
MSB	LSB	
1 1 1 1 1 1 1 1 1 1 1 1 1 1	= +1.24985V	+2.49970V
1 0 0 0 0 0 0 0 0 0 0 0 0 0	= 0.00000V	0.00000V
0 0 0 0 0 0 0 0 0 0 0 0 0 0	= 1.25000V	-2.50000V
B1,B2 . . . . .B14	= Pin Label	

**Figure 3. Output Coding for the ADC3214.**

**Timing Considerations**

The timing diagram in Figure 4 shows the timing characteristics of the ADC3214 A/D converter. Upon a high-to-low transition of the Trigger input, the internal logic of the ADC3214 places the input S/H amplifier (see Figure 1) into the Hold mode. Approximately 550 ns after Trigger, the internal S/H amplifier returns to the Sample mode to begin acquiring the next sample.



**Figure 4. ADC3214 Timing Diagram.**

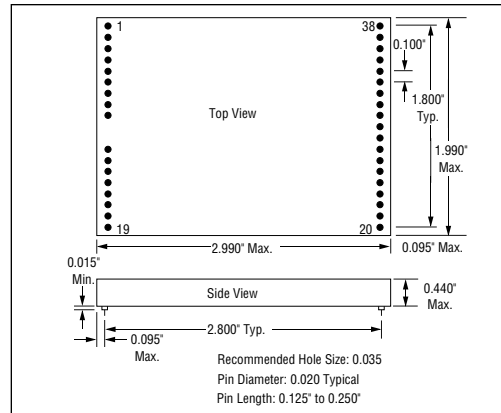
Approximately 200 ns later (750 ns elapsed time), the A/D converter has completed the conversion process and latches the data into the output tri-state latches. The data is valid 20 ns prior to the high-to-low transition of the EOC pulse.

### Layout Considerations

The high resolution of the ADC3214 A/D converter makes it necessary to pay careful attention to the printed circuit layout for the device. It is, for example, important to separate analog and digital grounds and to return them separately to the system power supply. Digital grounds are often noisy or “glitchy,” and these glitches can have adverse effects on the performance of the ADC3214 if they are introduced to the analog portions of the A/D converter’s circuitry. At 14-bit resolution, the size of the voltage step between one code transition and the succeeding one is only 152  $\mu\text{V}$  (305  $\mu\text{V}$  for the  $\pm 2.5\text{V}$  range), so it is evident that any noise in the analog ground return can result in erroneous or missing codes. It is therefore important to configure a

1. -15V	38. DIG RTN
2. ANA RTN	37. +5V
3. +15V	36. O/U RANGE
4. EXT RANGE ADJ	35. BIT 1 (MSB)
5. REF RTN	34. BIT 2
6. +V REF OUT	33. BIT 3
7. EXT OFFS ADJ	32. BIT 4
8. S/H ANA OUT	31. BIT 5
9. ADC IN	31. BIT 6
10. NO PIN	29. BIT 7
11. NO PIN	28. BIT 8
12. ANA RTN	27. BIT 9
13. SIGNAL IN	26. BIT 10
14. DO NOT CONNECT	25. BIT 11
15. RANGE 2	24. BIT 12
16. RANGE 1	23. BIT 13
17. DO NOT CONNECT	22. BIT 14
18. ANA RTN	21. OUT ENABLE
19. TRIGGER	20. EOC
CONNECT PIN 8 TO PIN 9.	

**Figure 5. ADC3214 Pin Assignments.**



**Figure 6. ADC3214 Mechanical.**

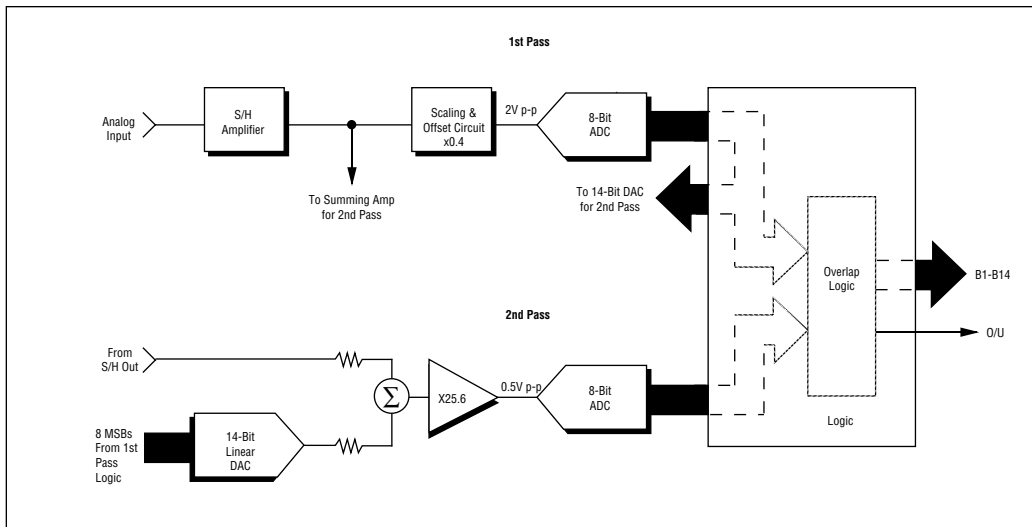
low-impedance ground-plane return on the printed-circuit board. This is the point where the analog and digital returns should be made common, NOT at the supplies.

### PRINCIPLES OF OPERATION

To understand the operating principles of the ADC3214 A/D converter, refer to Figures 4 and 7. The simplified block diagram of Figure 7 illustrates the two successive passes in the sub-ranging conversion scheme of the ADC3214.

The ADC3214 is a 14-bit sampling A/D converter with throughput rates to 1 MHz. It has two externally configurable input ranges of  $\pm 1.25\text{V}$  and  $\pm 2.5\text{V}$ . This is easily accomplished by externally connecting Pins 15 and 16 for the  $\pm 1.25\text{V}$  range and leaving both pins open (N/C) for the  $\pm 2.5$  range (see Figure 5). The S/H amplifier has a gain of X-1 or X-2, providing an output of  $\pm 2.5\text{V}$  regardless of the input. This simplifies the calibration of the ADC by reducing the required gain of the summing amplifier.

The first pass starts at a high-to-low transition of the trigger pulse. This signal places the S/H into the Hold mode and starts the timing logic. In the first pass, the output of the S/H is attenuated by a factor of 0.4 and offset to convert the 5V full scale ADC range to the 2V full scale range of the flash ADC. After approximately 110 ns, the attenuator circuitry has settled to 9-bit accuracy at which time the ADC digitizes the first pass. The 8 bits take two paths: to the internal logic and to the 8 most significant bits of a 14-bit accurate D/A converter, setting up the second pass.



**Figure 7. Simplified Block Diagram.**

In the second pass, the output of the D/A converter is subtracted from the output of the S/H amplifier. The nominal error voltage of  $\pm 0.5$  LSB (at the 8-bit level it is  $5V/256$  or  $19.5$  mV) is amplified by  $25.6$  to achieve  $1/4$  full scale range of the flash ADC, thus allowing a 2-bit overlap safety margin. The effective resolution therefore becomes the digital summation of two 8-bit results with the 2 LSBs of Pass 1 overlapping the 2 MSBs of Pass 2. At approximately  $550$  ns after trigger, the error signal has settled to 14-bit accuracy and the ADC then digitizes the second pass. The internal logic then places the S/H back into the Sample mode to begin acquiring the next sample. The second pass data is latched into the output tri-state registers and the conversion is now complete. This is marked by a high-to-low transition of the EOC pulse with the data valid  $20$  ns prior to EOC.

The ADC3214 has a tri-state output structure. Users can enable the fourteen data bits and the Overflow/Underflow bit with the ENABLE pin. This feature makes it possible to transfer data from the ADC3214 to a microprocessor bus. However, to prevent the coupling of high frequency noise from the microprocessor bus into the A/D converter, the output data must be buffered (see Figure 8).

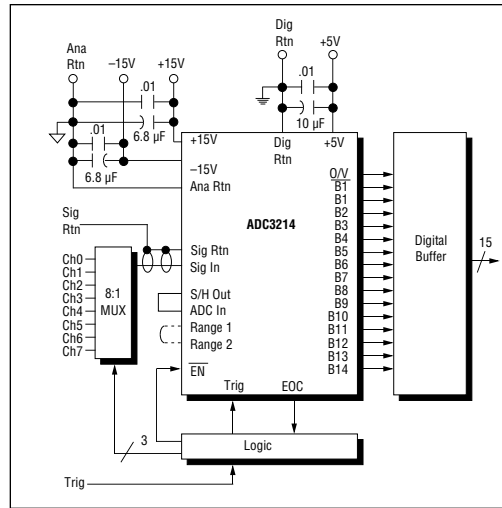
The  $1/4$  full scale range, or 2-bit overlap in the second pass, is a scheme used in the ADC3214 to provide an output word that is accurate and linear to 14 bits. This method corrects for gain and linearity errors in the amplifying circuitry, as well as the 8-bit flash A/D converter. Without the use of this overlapping correction scheme, it would be necessary that all the components in the ADC3214 be accurate to the 14-bit level. While such a design might be possible to realize on a laboratory benchtop, it clearly would be impractical to achieve on a production basis. The key to the conversion technique used in the ADC3214 is the 14-bit accurate and 14-bit linear D/A converter, which serves as the reference element for the conversion's second pass. The use of proprietary sub-ranging architecture in the ADC3214 results in a sampling A/D converter that offers unprecedented speed and transfer characteristics at the 14-bit level.

### TYPICAL APPLICATION

Figure 8 shows a typical application circuit for the ADC3214-M A/D converter: an eight channel, high resolution, high speed data acquisition system. This circuit could be part of an automatic test system or the front end of a data acquisition and control system. The 14-bit resolution of the ADC3214 provides 84 dB dynamic range for each channel, and the 1 MHz throughput rate provides approximately 125 kHz throughput per channel.

For interfacing with a microprocessor-driven 16-bit bus, the use of digital buffers may be required to prevent coupling of high frequency noise from the microprocessor bus into the A/D converter. Note that in Figure 8, the signal return is NOT tied to the ground-plane return but instead is common at a strategic point inside the ADC3214.

The ability of the ADC3214 Sample-and-Hold amplifier to acquire new data to within  $\pm 1$  LSB after a full-scale step change at the analog input and the superb DC characteristics exhibited by the ADC3214 are the key factors in establishing this part as the ideal choice for high speed data acquisition systems.



**Figure 8. ADC3214-M Typical Application and Connection.**

### Ordering Guide

Simply Specify:

**ADC3214M**  
14-bit Sampling A/D Converter

**SP7015**  
DC-to-DC Converter