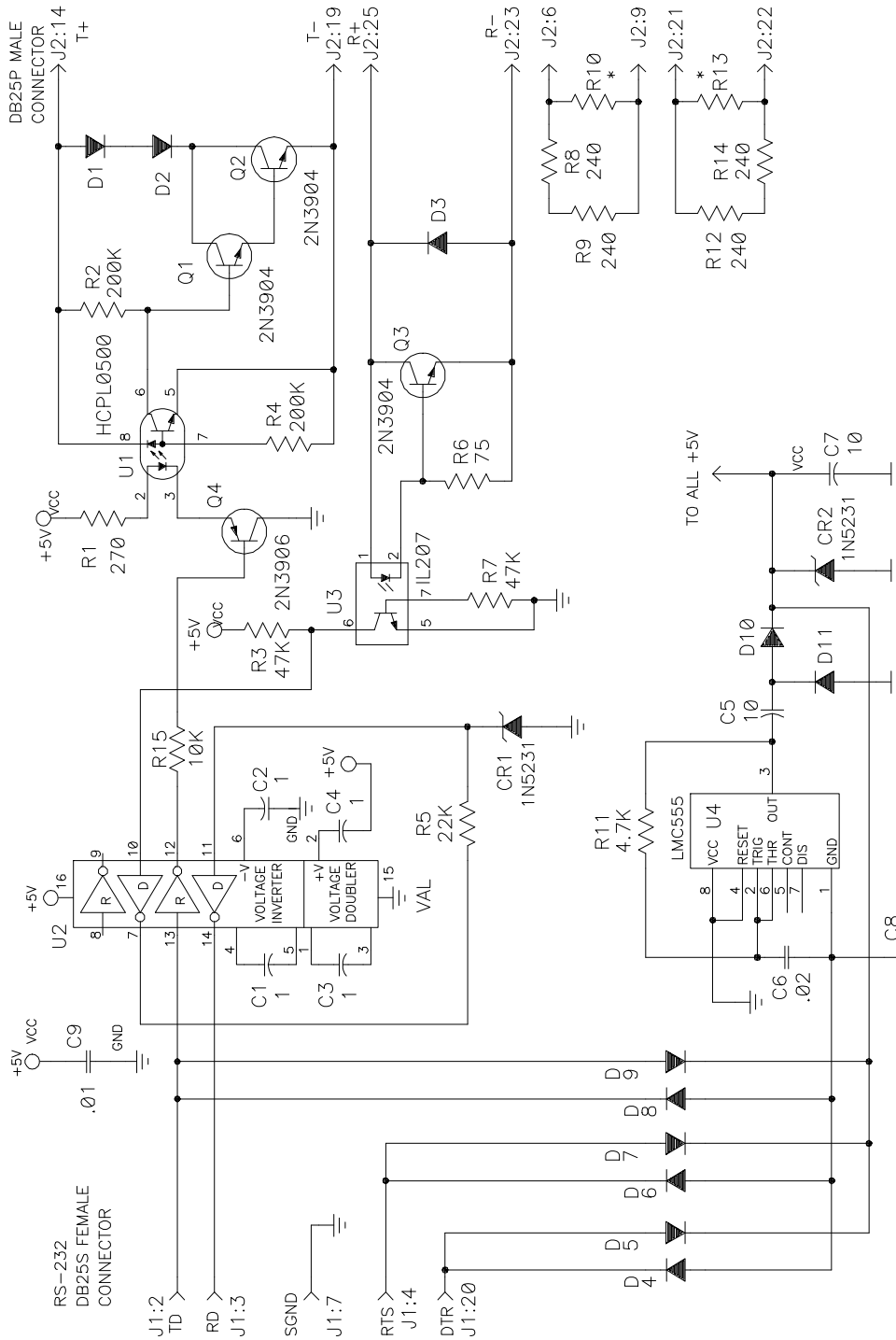
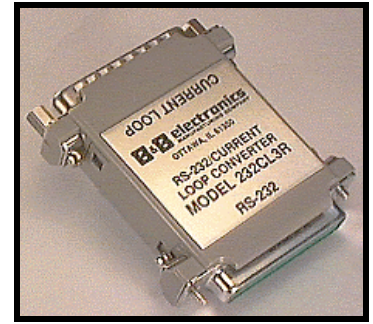


## Reversed Self-Powered Current Loop Converter Model 232CL3R

**NOTE:** When using an external supply, the supply should be connected only to specifically labeled power inputs (power jack, terminal block, etc.). Connecting an external power supply to the handshake lines may damage the unit. Contact technical support for more information on connecting an external power supply to the handshake lines.



ALL DIODES 1N4148 UNLESS NOTED.  
ALL CAPACITANCE VALUES IN MICROFARADS.  
\* INDICATES OPTIONAL THROUGH HOLE REPLACEMENT.

© B&B Electronics -- June 1998