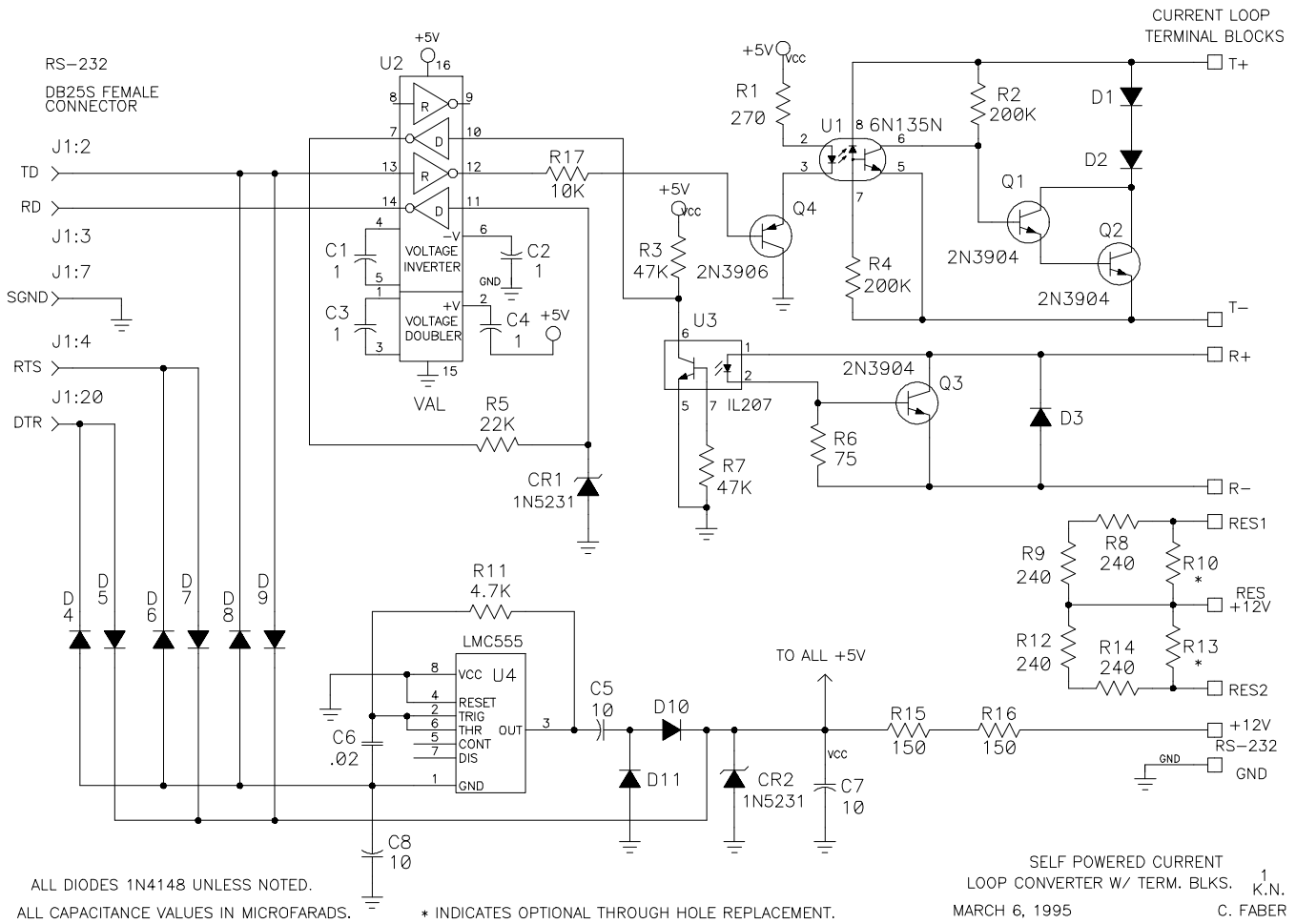
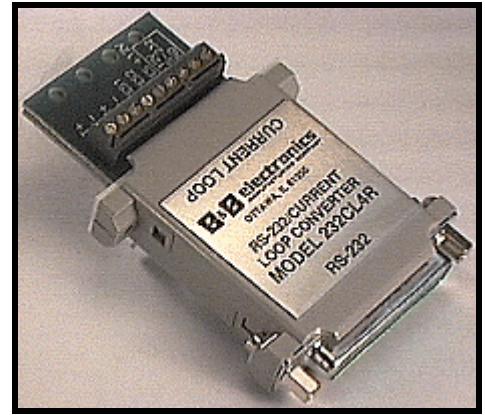


# Reversed Current Loop Converter with Terminal Blocks Model 232CL4R

Document No. 232CL4R2697



**NOTE:** When using an external supply, the supply should be connected only to specifically labeled power inputs (power jack, terminal block, etc.). Connecting an external power supply to the handshake lines may damage the unit. Contact technical support for more information on connecting an external power supply to the handshake lines.

© B&B Electronics

**B&B electronics**  
MANUFACTURING COMPANY

707 Dayton Road • PO Box 1040  
Ottawa, IL 61350 USA  
Phone: (815) 433-5100 • FAX: (815) 434-7094