

NOTES:

1.0 PINS WITHOUT ELECTRICAL CONNECTION ARE OMITTED.

ELECTRICAL SPECIFICATIONS:

- 1.0 TURNS RATIO: (P10-P11) : (J2-J1) : 1CT : 1CT $\pm 2\%$
 (P13-P12) : (J6-J3) : 1CT : 1CT $\pm 2\%$
 (P15-P14) : (J5-J4) : 1CT : 1CT $\pm 2\%$
 (P17-P16) : (J8-J7) : 1CT : 1CT $\pm 2\%$
- 2.0 INDUCTANCE: (P10-P11) ; (P13-P12) : 350 uH MIN. @ 0.1V, 100KHz, 8 mA DC BIAS, 0°C - 70°C.
 (P15-P14) ; (P17-P16) : 350 uH MIN. @ 0.1V, 100KHz, 8 mA DC BIAS, 0°C - 70°C.
- 3.0 LEAKAGE INDUCTANCE:
 P10-P11 (WITH J2 AND J1 SHORT) : 0.3uH MAX. @ 1MHz
 P13-P12 (WITH J6 AND J3 SHORT) : 0.3uH MAX. @ 1MHz
 P15-P14 (WITH J5 AND J4 SHORT) : 0.3uH MAX. @ 1MHz
 P17-P16 (WITH J8 AND J7 SHORT) : 0.3uH MAX. @ 1MHz
- 4.0 DC RESISTANCE: (J6-J3) ; (J2-J1) ; (J4-J5) ; (J7-J8) : 1.5 ohms Max.

Bel Stewart Connector
 11118 Susquehanna Trail, South
 Glen Rock, Pa 17327-9199
 717.234.7512

MagJack®

<http://www.stewartconnector.com>

THIS DRAWING AND THE SUBJECT MATTER SHOWN THEREON ARE CONFIDENTIAL AND PROPERTY OF BEL STEWART CONNECTOR AND SHALL NOT BE REPRODUCED, COPIED, OR USED IN ANY MANNER WITHOUT PRIOR WRITTEN CONTENT OF BEL STEWART CONNECTOR. THE SUBJECT MATTER MAY BE PATENTED OR A PATENT MAY BE PENDING.

SHEET
1 OF 4

DRAWING NO.

SI-71008

REV. X5

5.0 RETURN LOSS: 1MHz TO 40MHz : 18dB MIN.
40MHz TO 100MHz : 12-20 LOG ($\frac{F}{80\text{MHz}}$) MIN.
:

6.0 DIELECTRIC WITHSTAND: (J1,J2) TO (P10,P11) ; (J5,J4) TO (P14,P15) : 1500 VAC
(J3,J6) TO (P12,P13) ; (J8,J7) TO (P17,P16) : 1500 VAC

7.0 INSERTION LOSS: RS=RL=100 ohms
100KHz TO 100MHz : -0.8dB MAX.
100MHz TO 125MHz : -1.2dB MAX.

8.0 CROSS TALK: 1-60 MHz : -35dB TYP.
60-100 MHz : -25dB TYP.

9.0 COMMON TO COMMON MODE ATTENUATION: 1MHz TO 100MHz : -30dB MIN.

10.0 DIFFERENTIAL TO COMMON MODE REJECTION: 1MHz TO 60MHz : -50dB MIN.
60MHz TO 100MHz : -40dB MIN.

Bel Stewart Connector
11118 Susquehanna Trail, South
Glen Rock, Pa 17327-9199
717.234.7512

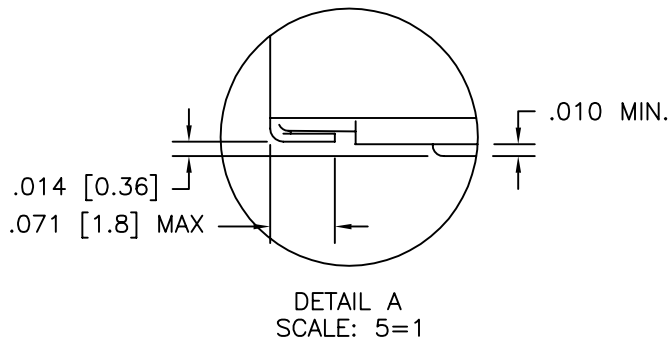
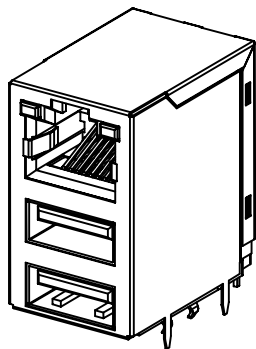
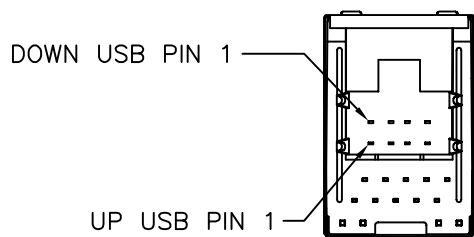
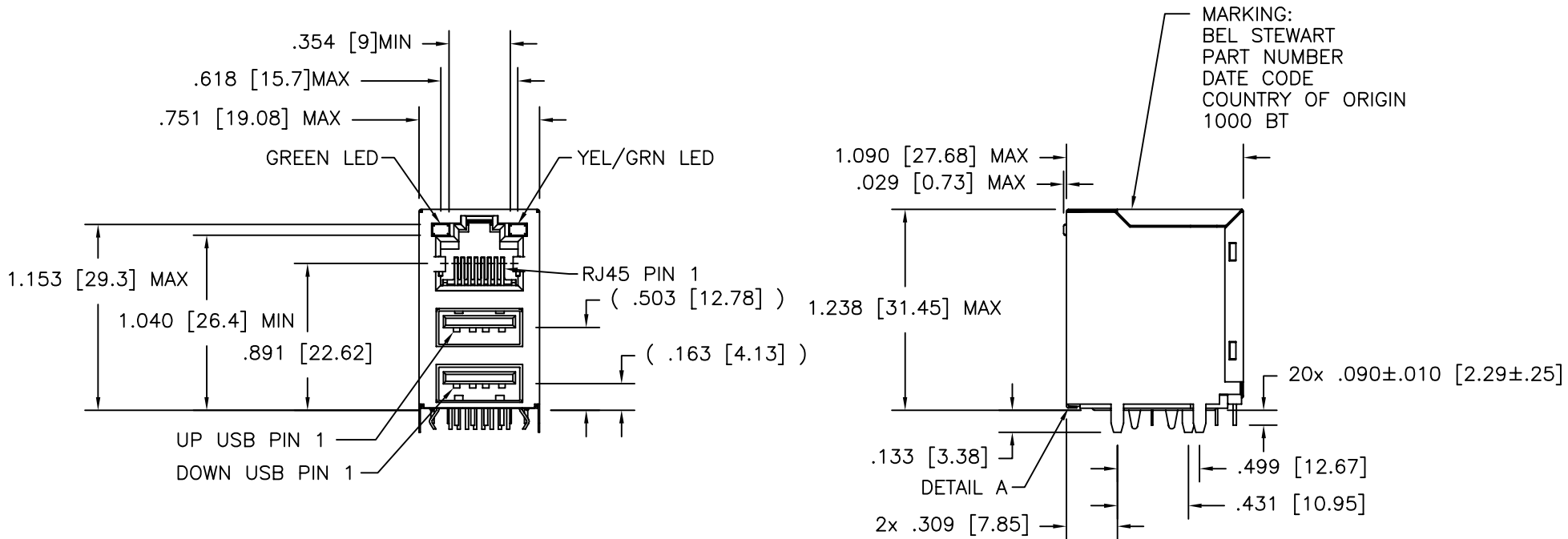
MagJack®

<http://www.stewartconnector.com>

THIS DRAWING AND THE SUBJECT MATTER SHOWN THEREON ARE CONFIDENTIAL AND PROPERTY OF BEL STEWART CONNECTOR AND SHALL NOT BE REPRODUCED, COPIED, OR USED IN ANY MANNER WITHOUT PRIOR WRITTEN CONTENT OF BEL STEWART CONNECTOR. THE SUBJECT MATTER MAY BE PATENTED OR A PATENT MAY BE PENDING.

SHEET
2 OF 4

DRAWING NO. SI-71008 REV. X5



NOTES:

- CONNECTOR MATERIALS:
HOUSING: THERMOPLASTIC UL94 V-0
CONTACT/SHIELD: COPPER ALLOY
SHIELD PLATING: NICKEL OR TIN
CONTACT PLATING: SELECTIVE GOLD,
50 MICRO-INCHES MIN. IN CONTACT AREA.
- PIN NOT ELECTRICALLY CONNECTED MAYBE OMITTED.
SEE ELECTRICAL DRAWING FOR OMITTED PINS.
- TOLERANCES COMPLY WITH F.C.C. DIMENSION REQUIREMENTS.
- ALL TOLERANCES NOT OTHERWISE SPECIFIED TO BE ± 0.005 [0.13]
- WAVE SOLDER COMPATIBLE - PREHEAT 125°C/90SECS.
HIGH TEMPERATURE REFLOW COMPATIBLE - 230°C/90 SEC MAX.

Bel Stewart Connector
11118 Susquehanna Trail, South
Glen Rock, Pa 17327-9199
717.234.7512

MagJack®

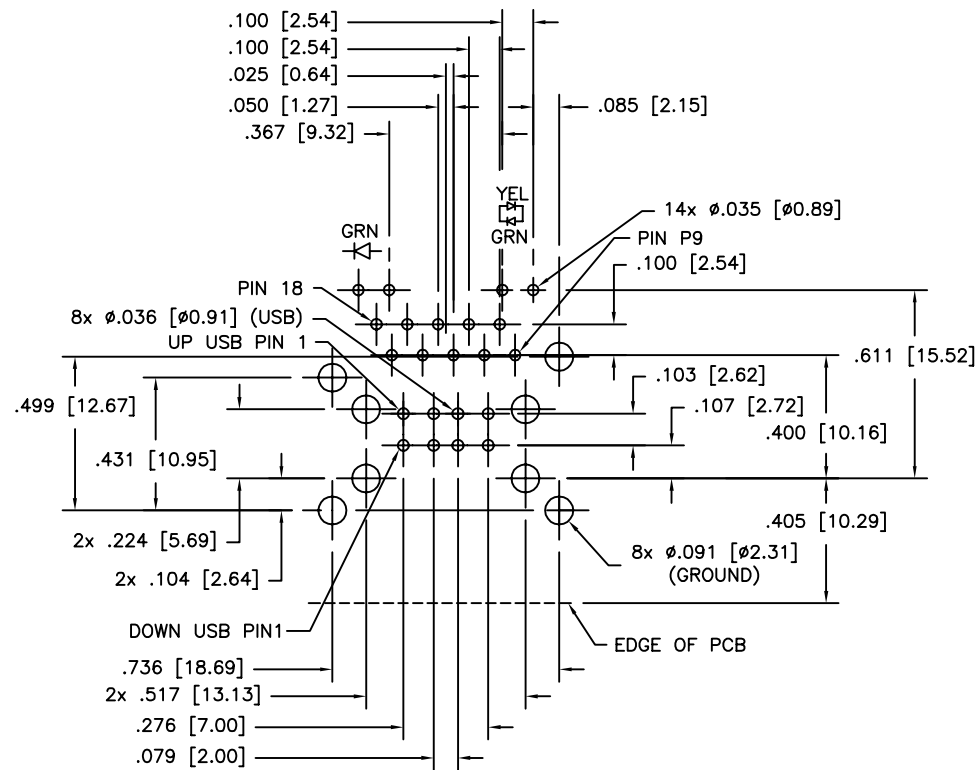
<http://www.stewartconnector.com>

THIS DRAWING AND THE SUBJECT MATTER SHOWN THEREON ARE CONFIDENTIAL AND PROPERTY OF BEL STEWART CONNECTOR AND SHALL NOT BE REPRODUCED, COPIED, OR USED IN ANY MANNER WITHOUT PRIOR WRITTEN CONTENT OF BEL STEWART CONNECTOR. THE SUBJECT MATTER MAY BE PATENTED OR A PATENT MAY BE PENDING.

SHEET
3 OF 4

DRAWING NO.

SI-71008 REV. 01



PC BOARD LAYOUT COMPONENT SIDE SHOWN
 TOLERANCE: $\pm .003$ [.08] UNLESS OTHERWISE SPECIFIED

Bel Stewart Connector
 11118 Susquehanna Trail, South
 Glen Rock, Pa 17327-9199
 717.234.7512

MagJack®

<http://www.stewartconnector.com>

THIS DRAWING AND THE SUBJECT MATTER SHOWN THEREON ARE CONFIDENTIAL AND PROPERTY OF BEL STEWART CONNECTOR AND SHALL NOT BE REPRODUCED, COPIED, OR USED IN ANY MANNER WITHOUT PRIOR WRITTEN CONTENT OF BEL STEWART CONNECTOR. THE SUBJECT MATTER MAY BE PATENTED OR A PATENT MAY BE PENDING.

SHEET
4 OF 4

DRAWING NO.

SI-71008

REV. 01