

### Features

- T3001 Equivalent
- Small size of 7.7 mm
- Operating temperature -40 °C to +85 °C
- Lead free version available (see How to Order)
- Lead free versions are RoHS compliant\*

### Applications

- Telecom

## PT75426 - T3/DS3/E3/STS-1 Transformer

#### Electrical Specifications @ 25 °C

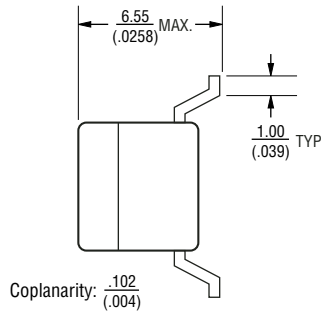
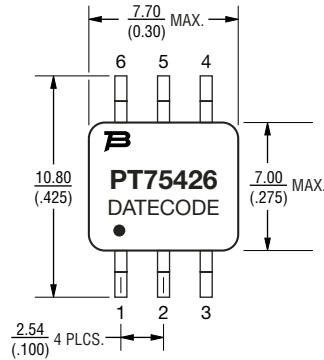
Turns Ratio  $\pm 2\%$   
 (1-3):(6-4) .....1:1  
 OCL (1-3) @ 10 kHz, 0.1 Vrms  
 .....100  $\mu$ H min.  
 OCL (1-3) @ 40 °C @ 10 kHz, 0.1 Vrms  
 .....40  $\mu$ H min.  
 Leakage Inductance (1-3)  
 @ 100 KHz, 0.01 Vrms, short (6-4)  
 .....0.11  $\mu$ H max.  
 C<sub>ww</sub> (Pri. to Sec. Windings)  
 @ 100 kHz, 0.1 Vrms .....10 pF max.  
 3 dB Bandwidth (1-3):(6-4)  
 @ 75  $\Omega$  impedance  
 .....0.2 to 340 MHz typ.  
 HIPOT (Pri. to Sec. Windings) (VAC)  
 .....1500

#### Packaging Specifications

Tape & Reel\* .....800 pcs./reel

\*"E" suffix at end of part number designates tape & reel packaging, e.g. PT75426E.

#### Product Dimensions

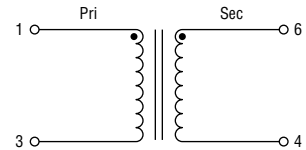


DIMENSIONS ARE:  $\frac{\text{MM}}{\text{(INCHES)}}$

TOLERANCE:  $\pm \frac{0.25}{(.010)}$

NOTE: DIMENSIONS ARE EXCLUSIVE OF SOLDER

#### Electrical Schematic



#### How to Order

**PT75426E**

Model \_\_\_\_\_

Termination \_\_\_\_\_  
 Blank = Tin-lead  
 L = Tin only (lead free)