

CMHZ5221B THRU CMHZ5281B

**SURFACE MOUNT ZENER DIODE
2.4 VOLTS THRU 200 VOLTS
500mW, 5% TOLERANCE**

Central™
Semiconductor Corp.

DESCRIPTION:

The CENTRAL SEMICONDUCTOR CMHZ5221B Series Silicon Zener Diode is a high quality voltage regulator, manufactured in a surface mount package, designed for use in industrial, commercial, entertainment and computer applications.



MAXIMUM RATINGS:

Power Dissipation (@ $T_L=75^\circ\text{C}$)
Storage Temperature Range
Maximum Junction Temperature
Thermal Resistance

SYMBOL

P_D 500
 T_{stg} -65 to +175
 T_J +150
 θ_{JL} 150

UNIT

mW
 $^\circ\text{C}$
 $^\circ\text{C}$
 $^\circ\text{C/W}$

ELECTRICAL CHARACTERISTICS: ($T_A=25^\circ\text{C}$), $V_F=0.9\text{V MAX @ } I_F=10\text{mA}$ FOR ALL TYPES

TYPE NO.	ZENER VOLTAGE $V_Z @ I_{ZT}$			TEST CURRENT I_{ZT}	MAXIMUM ZENER IMPEDANCE			MAXIMUM REVERSE CURRENT		MAX. TEMP. COEFF. θ_{VZ}	MARKING CODE
	MIN	NOM	MAX		$Z_{ZT}@I_{ZT}$	Z_{ZK}	@ I_{ZK}	I_R	@ V_R		
	VOLTS	VOLTS	VOLTS		mA	Ω	Ω	mA	μA		
CMHZ5221B	2.280	2.4	2.520	20	30	1200	0.25	100	1.0	-0.085	CC1
CMHZ5222B	2.375	2.5	2.625	20	30	1250	0.25	100	1.0	-0.085	CC2
CMHZ5223B	2.565	2.7	2.835	20	30	1300	0.25	75	1.0	-0.080	CC3
CMHZ5224B	2.660	2.8	2.940	20	30	1400	0.25	75	1.0	-0.080	CC4
CMHZ5225B	2.850	3.0	3.150	20	30	1600	0.25	50	1.0	-0.075	CC5
CMHZ5226B	3.135	3.3	3.465	20	28	1600	0.25	25	1.0	-0.070	CD1
CMHZ5227B	3.420	3.6	3.780	20	24	1700	0.25	15	1.0	-0.065	CD2
CMHZ5228B	3.705	3.9	4.095	20	23	1900	0.25	10	1.0	-0.060	CD3
CMHZ5229B	4.085	4.3	4.515	20	22	2000	0.25	5.0	1.0	± 0.055	CD4
CMHZ5230B	4.465	4.7	4.935	20	19	1900	0.25	5.0	2.0	± 0.030	CD5
CMHZ5231B	4.845	5.1	5.355	20	17	1600	0.25	5.0	2.0	± 0.030	CE1
CMHZ5232B	5.320	5.6	5.880	20	11	1600	0.25	5.0	3.0	+0.038	CE2
CMHZ5233B	5.700	6.0	6.300	20	7.0	1600	0.25	5.0	3.5	+0.038	CE3
CMHZ5234B	5.890	6.2	6.510	20	7.0	1000	0.25	5.0	4.0	+0.045	CE4
CMHZ5235B	6.460	6.8	7.140	20	5.0	750	0.25	3.0	5.0	+0.050	CE5
CMHZ5236B	7.125	7.5	7.875	20	6.0	500	0.25	3.0	6.0	+0.058	CF1
CMHZ5237B	7.790	8.2	8.610	20	8.0	500	0.25	3.0	6.5	+0.062	CF2
CMHZ5238B	8.265	8.7	9.135	20	8.0	600	0.25	3.0	6.5	+0.065	CF3
CMHZ5239B	8.645	9.1	9.555	20	10	600	0.25	3.0	7.0	+0.068	CF4
CMHZ5240B	9.500	10	10.50	20	17	600	0.25	3.0	8.0	+0.075	CF5
CMHZ5241B	10.45	11	11.55	20	22	600	0.25	2.0	8.4	+0.076	CH1
CMHZ5242B	11.40	12	12.60	20	30	600	0.25	1.0	9.1	+0.077	CH2
CMHZ5243B	12.35	13	13.65	9.5	13	600	0.25	0.5	9.9	+0.079	CH3
CMHZ5244B	13.30	14	14.70	9.0	15	600	0.25	0.1	10	+0.082	CH4
CMHZ5245B	14.25	15	15.75	8.5	16	600	0.25	0.1	11	+0.082	CH5
CMHZ5246B	15.20	16	16.80	7.8	17	600	0.25	0.1	12	+0.083	CJ1
CMHZ5247B	16.15	17	17.85	7.4	19	600	0.25	0.1	13	+0.084	CJ2
CMHZ5248B	17.10	18	18.90	7.0	21	600	0.25	0.1	14	+0.085	CJ3
CMHZ5249B	18.05	19	19.95	6.6	23	600	0.25	0.1	14	+0.086	CJ4
CMHZ5250B	19.00	20	21.00	6.2	25	600	0.25	0.1	15	+0.086	CJ5
CMHZ5251B	20.90	22	23.10	5.6	29	600	0.25	0.1	17	+0.087	CK1
CMHZ5252B	22.80	24	25.20	5.2	33	600	0.25	0.1	18	+0.087	CK2
CMHZ5253B	23.75	25	26.25	5.0	35	600	0.25	0.1	19	+0.089	CK3

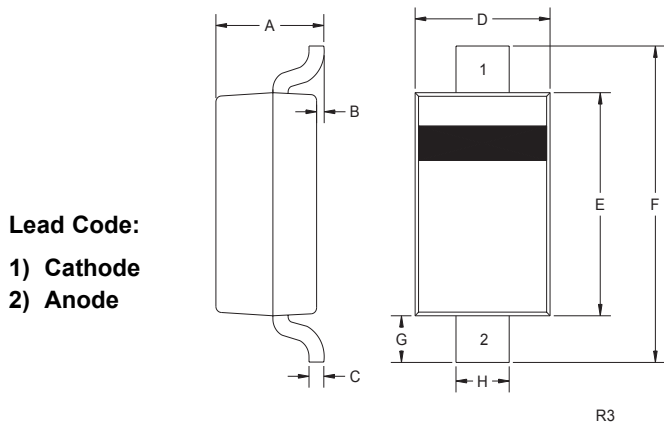
R3 (2-November 2001)

SURFACE MOUNT ZENER DIODE
2.4 VOLTS THRU 200 VOLTS
500mW, 5% TOLERANCE

ELECTRICAL CHARACTERISTICS: ($T_A=25^\circ\text{C}$), $V_F=0.9\text{V MAX @ } I_F=10\text{mA}$ FOR ALL TYPES

TYPE NO.	ZENER VOLTAGE $V_Z @ I_{ZT}$			TEST CURRENT I_{ZT}	MAXIMUM ZENER IMPEDANCE			MAXIMUM REVERSE CURRENT		MAX. TEMP. COEFF. θ_{VZ}	MARKING CODE
	MIN	NOM	MAX		$Z_{ZT}@I_{ZT}$	Z_{ZK}	@ I_{ZK}	I_R	@ V_R		
	VOLTS	VOLTS	VOLTS		Ω	Ω	mA	μA	VOLTS		
CMHZ5254B	25.65	27	28.35	4.6	41	600	0.25	0.1	21	+0.090	CK4
CMHZ5255B	26.60	28	29.40	4.5	44	600	0.25	0.1	21	+0.091	CK5
CMHZ5256B	28.50	30	31.50	4.2	49	600	0.25	0.1	23	+0.091	CM1
CMHZ5257B	31.35	33	34.65	3.8	58	700	0.25	0.1	25	+0.092	CM2
CMHZ5258B	34.20	36	37.80	3.4	70	700	0.25	0.1	27	+0.093	CM3
CMHZ5259B	37.05	39	40.95	3.2	80	800	0.25	0.1	30	+0.094	CM4
CMHZ5260B	40.85	43	45.15	3.0	93	900	0.25	0.1	33	+0.095	CM5
CMHZ5261B	44.65	47	49.35	2.7	105	1000	0.25	0.1	36	+0.095	CN1
CMHZ5262B	48.45	51	53.55	2.5	125	1100	0.25	0.1	39	+0.096	CN2
CMHZ5263B	53.20	56	58.80	2.2	150	1300	0.25	0.1	43	+0.096	CN3
CMHZ5264B	57.00	60	63.00	2.1	170	1400	0.25	0.1	46	+0.097	CN4
CMHZ5265B	58.90	62	65.10	2.0	185	1400	0.25	0.1	47	+0.097	CN5
CMHZ5266B	64.60	68	71.40	1.8	230	1600	0.25	0.1	52	+0.097	CP1
CMHZ5267B	71.25	75	78.75	1.7	270	1700	0.25	0.1	56	+0.098	CP2
CMHZ5268B	77.90	82	86.10	1.5	330	2000	0.25	0.1	62	+0.098	CP3
CMHZ5269B	82.65	87	91.35	1.4	370	2200	0.25	0.1	68	+0.099	CP4
CMHZ5270B	86.45	91	95.55	1.4	400	2300	0.25	0.1	69	+0.099	CP5
CMHZ5271B	95.00	100	105.00	1.3	500	2600	0.25	0.1	76	+0.11	CR1
CMHZ5272B	104.50	110	115.50	1.1	750	3000	0.25	0.1	84	+0.11	CR2
CMHZ5273B	114.00	120	126.00	1.0	900	4000	0.25	0.1	91	+0.11	CR3
CMHZ5274B	123.50	130	136.50	0.95	1100	4500	0.25	0.1	99	+0.11	CR4
CMHZ5275B	133.00	140	147.00	0.90	1300	4500	0.25	0.1	106	+0.11	CR5
CMHZ5276B	142.50	150	157.50	0.85	1500	5000	0.25	0.1	114	+0.11	CS1
CMHZ5277B	152.00	160	168.00	0.80	1700	5500	0.25	0.1	122	+0.11	CS2
CMHZ5278B	161.50	170	178.50	0.74	1900	5500	0.25	0.1	129	+0.11	CS3
CMHZ5279B	171.00	180	189.00	0.68	2200	6000	0.25	0.1	137	+0.11	CS4
CMHZ5280B	180.50	190	199.50	0.66	2400	6500	0.25	0.1	144	+0.11	CS5
CMHZ5281B	190.00	200	210.00	0.65	2500	7000	0.25	0.1	152	+0.11	CT1

SOD-123 CASE - MECHANICAL OUTLINE



SYMBOL	DIMENSIONS			
	INCHES		MILLIMETERS	
	MIN	MAX	MIN	MAX
A	0.037	0.053	0.95	1.35
B	-	0.005	-	0.12
C	-	0.008	-	0.20
D	0.055	0.071	1.40	1.80
E	0.098	0.112	2.50	2.84
F	0.140	0.154	3.55	3.90
G	0.010	-	0.25	-
H	0.020	0.028	0.50	0.70

SOD-123 (REV:R3)

R3 (2-November 2001)