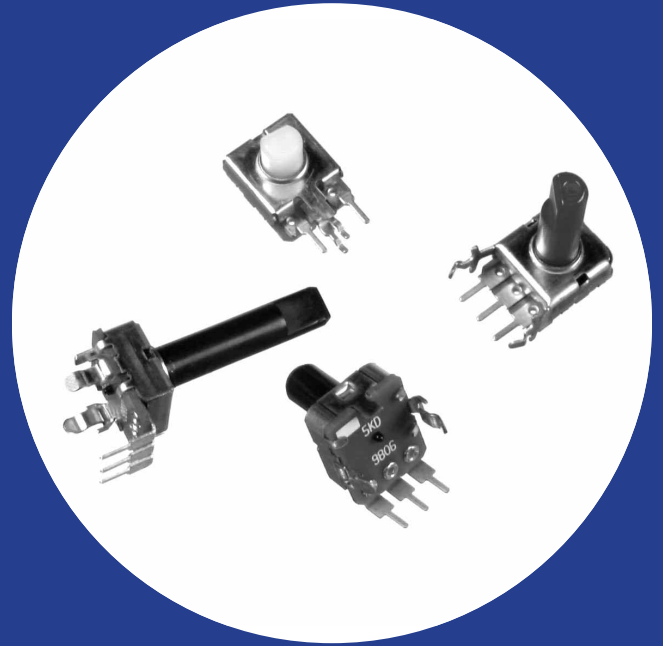


## Commercial 12mm Diameter Composition Variable Resistors

- Miniature 12mm size
- Low cost
- P.C. board mounting
- 500 ohms through 1 megohms
- Detent available



## Electrical and Mechanical Specifications

### Resistance Range

Standard: 500 ohms through 1 megohms.  
Special: For non-standard resistance values, please contact CTS.

### Resistance Tolerance

Standard:  $\pm 20\%$   
Special: Tighter tolerances available in most resistance values.

### Power Rating, Watts

0.15 watts @ 50°C derated to no load @ 85°C for linear curve.  
0.1 watts @ 50°C derated to no load @ 85°C for regular non-linear curve.

### Voltage Rating

Across end terminals:  
Standard 250 VDC; Special: 350 VDC load not to exceed wattage ratings at given ambient temperature.

### Angle of Rotation

Total Rotation:  $300^\circ \pm 5^\circ$   
Effective Electrical Rotation:  $280^\circ$  (approximate)

### Rotational Torque

20 – 216 gcm

### Stop Strength

5" lbs (5.76 kg-cm) minimum stop strength.

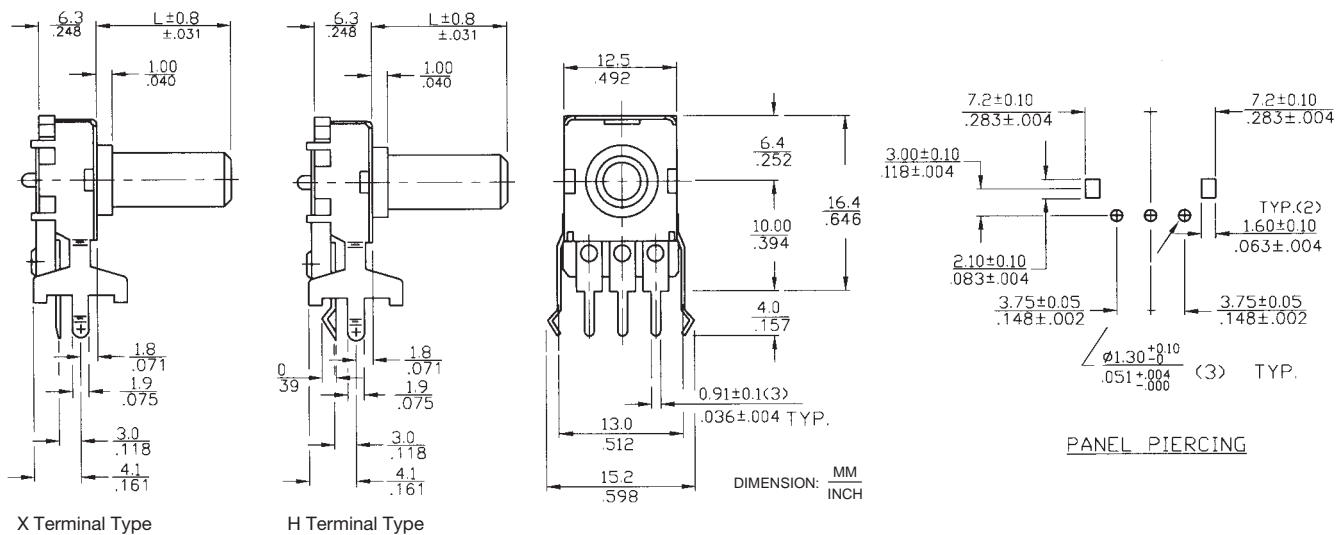
### Mounting Information

P.C. board mounting  
Type "X": Control shaft parallel to P.C. board.  
Type "U": Control shaft vertical to P.C. board.

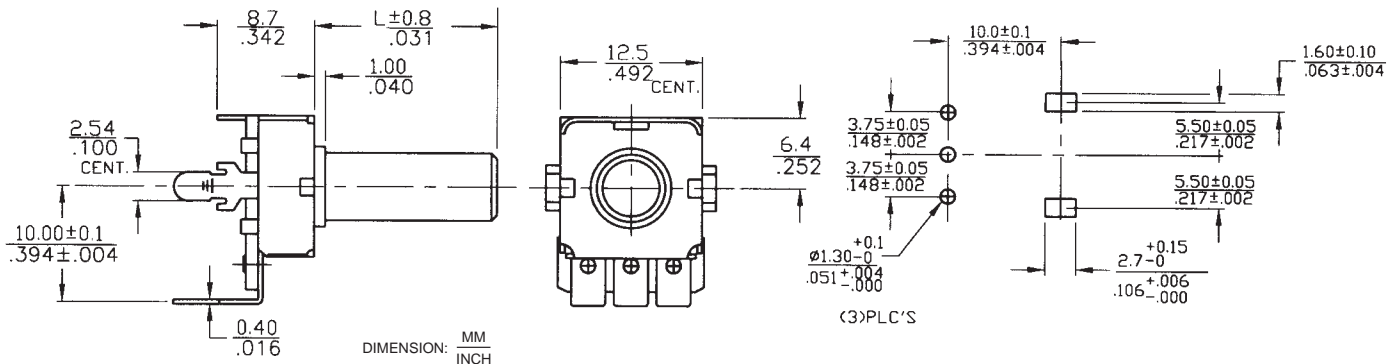
### Detent

50% detent available.

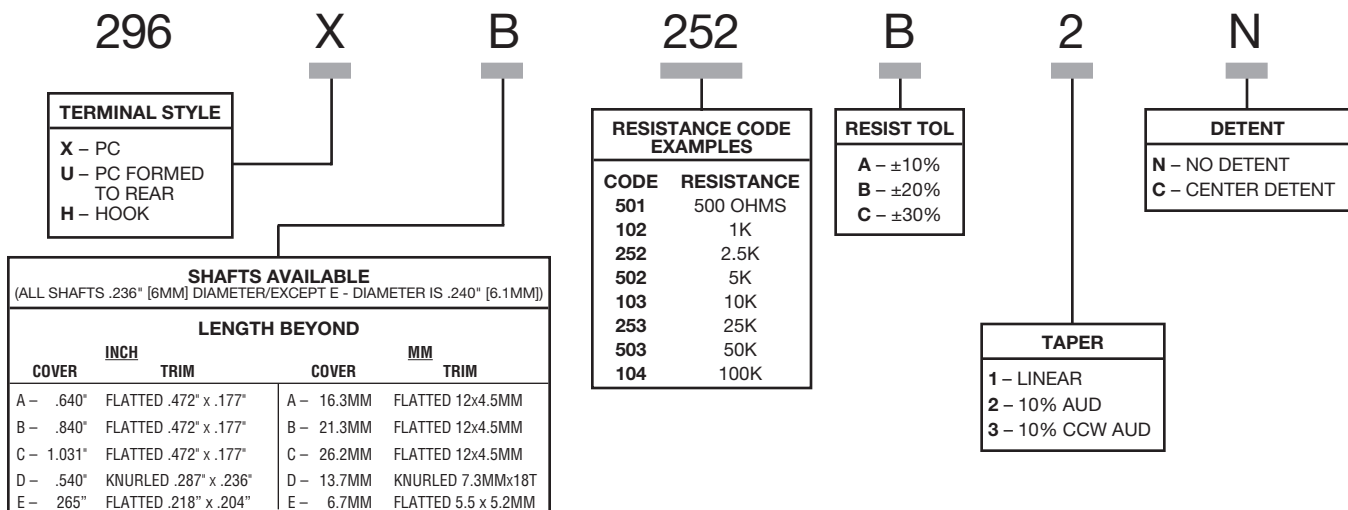
## XM 296RE Molded Shaft, Control Shaft Parallel to P.C. Board



## UM 296RE Molded Shaft, Control Shaft Vertical to P.C. Board



## Ordering Information



## Order From:

**CTS CORPORATION, ELECTROCOMPONENTS** / 1601 Mishawaka Street / Elkhart, Indiana 46514  
North America Toll Free (888) 287-4690 / (219) 296-6700 / FAX: (219) 293-1240 <http://www.ctscorp.com>

**CTS COMPONENTS TAIWAN, LTD.** / 7, Central 6th Road (Chung Liu Road) / P.O. Box 26-20  
Kaohsiung Export Processing Zone / Kaohsiung, Taiwan, Rep. of China  
(07) 8216145 / FAX: (07) 8417642.8110040