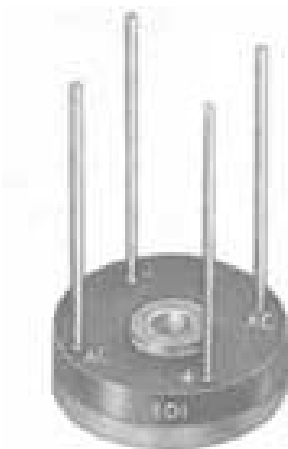




DY PY

**MINIBRIDGE<sup>®</sup>**  
**10 AMPERES - HIGH SURGE**  
**SINGLE-PHASE, FULL-WAVE BRIDGES**  
**HEAT SINK-CHASSIS-P.C. BOARD MOUNTING**



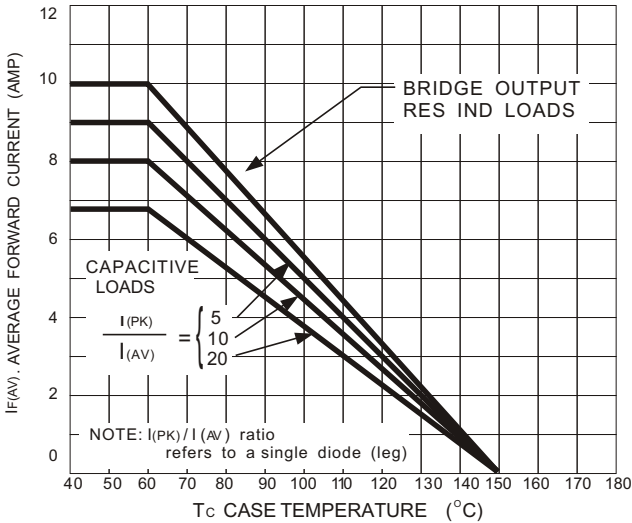
**RU** This mark indicates recognition under the component program of Underwriters Laboratories, Inc.

|          |      |      |      |      |      |      |       |
|----------|------|------|------|------|------|------|-------|
| PRV/leg  | 50V  | 100V | 200V | 400V | 600V | 800V | 1000V |
| Type No. | PY05 | PY10 | PY20 | PY40 | PY60 | PY80 | PY100 |
| Type No. | DY05 | DY10 | DY20 | DY40 | DY60 | DY80 | DY100 |

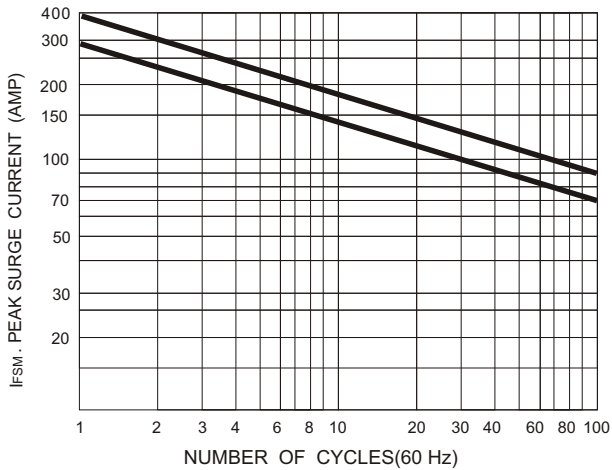
| ELECTRICAL CHARACTERISTICS PER LEG<br>(at T <sub>A</sub> =25 °C Unless Otherwise Specified ) | PY          | DY          |      |
|----------------------------------------------------------------------------------------------|-------------|-------------|------|
| Max. Forward Voltage Drop V <sub>F</sub> =1.0 V @ I <sub>F</sub> =                           | 10          | 10          | Amp  |
| Max. DC Reverse Current @ PRV and 25°C, I <sub>R</sub>                                       | 10          | 10          | μA   |
| Max. DC Reverse Current @ PRV and 100°C, I <sub>R</sub>                                      | 100         | 100         | μA   |
| Max. Peak Surge Current, I <sub>FSM</sub> (8.3ms)                                            | 300         | 400         | Amp  |
| Storage Temperature Range, T <sub>STG</sub>                                                  | -55 to +150 | -55 to +150 | °C   |
| Thermal Resistance ( Total Bridge ), R <sub>θj-c</sub>                                       | 5.1typ.     | 5.1typ.     | °C/W |

EDI reserves the right to change these specifications at any time without notice.

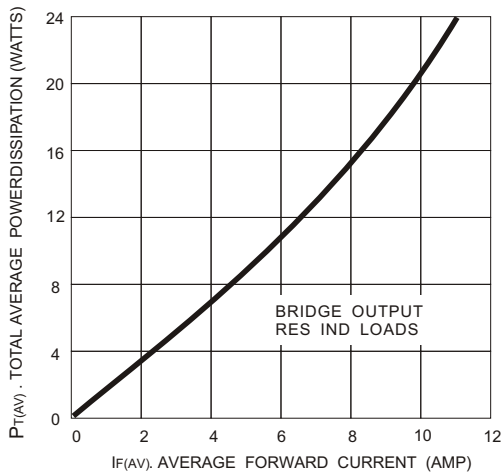
**Figure 1  
CURRENT DERATING**



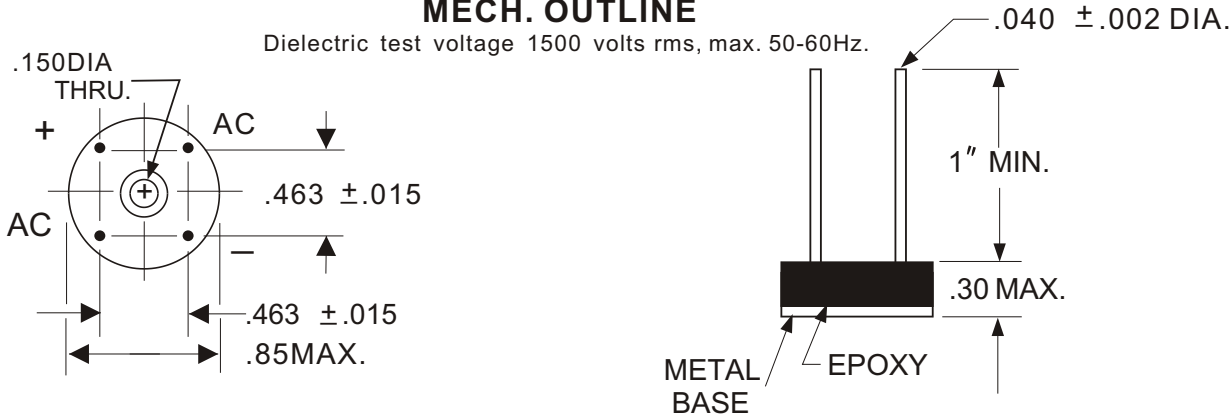
**Figure 2  
NON-REPETITIVE SURGE CURRENT**



**Figure 3  
POWER DISSIPATION**



**MECH. OUTLINE**



- NOTES: 1. A thin film of silicone thermal compound is recommended between the Minibridge<sup>®</sup> case and mounting surface for improved thermal conduction.  
2. Fast-on terminals available. Consult factory.

**ELECTRONIC DEVICES, INC.** DESIGNERS AND MANUFACTURERS OF SOLID STATE DEVICES SINCE 1951.  
21 GRAY OAKS AVENUE \* YONKERS, NEW YORK 10710 914-965-4400 \* FAX 914-965-5531 \* 1-800-678-0828  
e-mail:sales@edidiodes.com website: www.e-edi.com