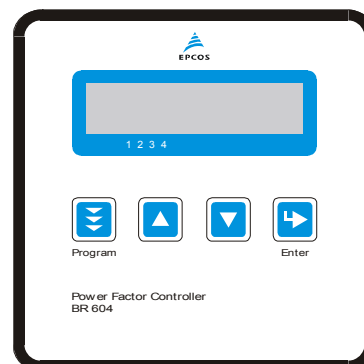


**Preliminary data**
**Characteristics**

- Intelligent control
- Menu driven handling (plain language; German/English)
- Self-optimizing control capability
- Recall function of recorded values
- Four-quadrant operation (e.g. stand by generator)


**Features**

Display	<ul style="list-style-type: none"> <li>- Large and multifunctional LCD (2 x 16 characters)</li> <li>- Graphic and alphanumeric</li> </ul>
System parameters displayed	<ul style="list-style-type: none"> <li>- System voltage (VAC)</li> <li>- Reactive power (kvar)</li> <li>- Active power (kW)</li> <li>- Apparent power (kVA)</li> <li>- Apparent current (A)</li> <li>- Real-time cos phi</li> <li>- Target cos phi</li> <li>- kvar value to target cos phi</li> </ul>
Recall recorded values	<ul style="list-style-type: none"> <li>- Maximum voltage, (<math>V_{max}</math>)</li> <li>- Maximum reactive power, Q (kvar)</li> <li>- Maximum active power, P (kW)</li> <li>- Maximum apparent power, S (kVA)</li> </ul>

**Technical Data**

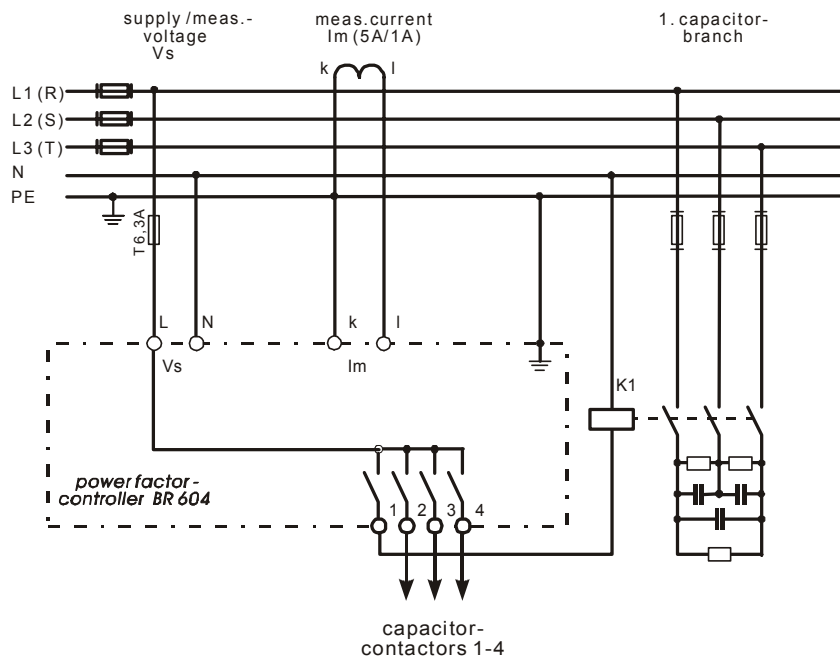
Weight	0.5 kg
Case	Panel-mounted instrument, 100 x 100 x 40 mm) (cut out 92 x 92 mm)
Ambient conditions	
<ul style="list-style-type: none"> <li>- Over-voltage class</li> <li>- Pollution degree</li> <li>- Operating temperature</li> <li>- Storage temperature</li> <li>- Sensitivity to interference (industrial areas)</li> <li>- Spurious radiation (residential areas)</li> <li>- Safety guidelines</li> <li>- Mounting position</li> <li>- Humidity class</li> </ul>	<ul style="list-style-type: none"> <li>III</li> <li>2</li> <li>-10 °C .... +70 °C</li> <li>-20 °C ... +75 °C</li> <li>EN55082-2.1995</li> <li>EN55011 10.1997</li> <li>EN61010-1 03.1994 + A2 05.1996/IEC1010-1 1990 + A1 1992</li> <li>Any</li> <li>15% to 95% without dew</li> </ul>

**Preliminary data**

<b>Protection class</b> <ul style="list-style-type: none"> <li>- Front plate</li> <li>- Rear side</li> </ul>	IP54 according to IEC529 / DIN 40050 IP20 according to IEC529 / DIN 40050
<b>Operation</b> <ul style="list-style-type: none"> <li>- Supply voltage</li> <li>- Target cos phi</li> <li>- Switching and discharge time range</li> <li>- Number of control series</li> <li>- Control modes</li> </ul>	230 V <sub>AC</sub> , 50 and 60 Hz power lines 0.8 ind. – 0.8 cap. 1 – 255 seconds 23 series preset Series switching (LIFO), circular switching (FIFO), self-optimized intelligent control mode
<b>Measurement</b> <ul style="list-style-type: none"> <li>- Measurement voltage range</li> <li>- Fundamental frequency</li> <li>- Measurement current (CT)</li> <li>- Minimum operating current</li> <li>- Maximum current</li> <li>- Zero voltage release</li> </ul>	= supply voltage: 230 VAC (L-N) 50 and 60 Hz x/1 and x/5 Ampere possible 40 mA 5.3 (sinusodial) < 15 ms
<b>Switching outputs</b> Relay outputs <ul style="list-style-type: none"> <li>- Number of relays</li> <li>- Switching voltage/power</li> <li>- Expected mechanical life</li> <li>- Expected electrical life</li> </ul>	4 steps available max. 250 V <sub>AC</sub> , max. 1000 W > 30 x 10 <sup>6</sup> switching operations > 5 x 10 <sup>6</sup> switching operations (load = 200 VA, cosphi = 0.4)
<b>Ordering Code</b>	B44066R6004E230

Preliminary data

Connection plan



**⚠ Please read information about PFC capacitors and cautions as well as installation and maintenance instructions (Power Factor Correction Product Profile, actual version) to ensure optimum performance and prevent products from failing, and in worst case, bursting and fire, etc.**

**Information given in the PFC-product profile and values given in the data sheet reflect typical specifications. You are kindly requested to approve our product specifications or request our approval for your specification before ordering.**

© EPCOS AG 2004. Reproduction, publication and dissemination of this data sheet, enclosures hereto and the information contained therein without EPCOS' prior express consent is prohibited.

Purchase orders are subject to the General Conditions for the Supply of Products and Services of the Electrical and Electronics Industry recommended by the ZVEI (German Electrical and Electronic Manufacturers' Association), unless otherwise agreed.