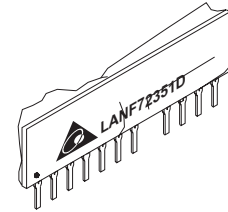




ETHERNET 10BASE-T LAN FILTER MODULES

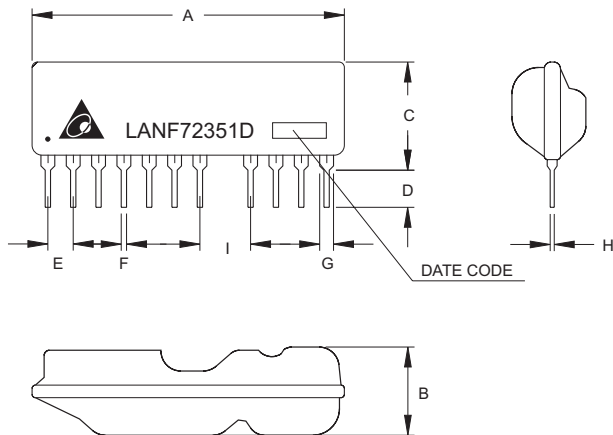
Networking Components



ELECTRICAL CHARACTERISTICS @25°C

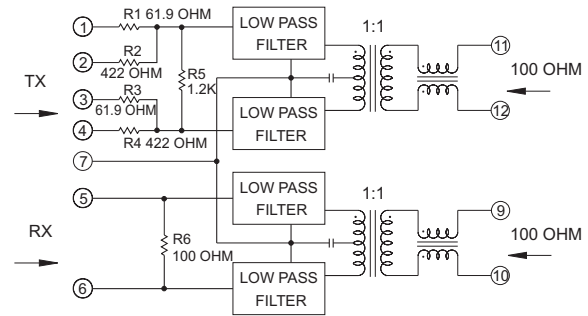
Hi-Pot Test @60Sec, 1500Vrms							
Model	Insertion Loss (dB Max)	Attenuation TX (dB Min) RX		Return Loss 5-10MHz (dB Min)		Com. To Com. Mode Rejection TX (dB Min) RX	
		LANF72351D	-1.0 (1-10MHz)	-7 (20MHz) -19 (25MHz) -32 (30MHz) -35 (40MHz)	-6 (20MHz) -14 (25MHz) -20 (30MHz) -26 (35MHz) -31 (40MHz)	100 Ohm -18	98±13 Ohm -15

MECHANICAL CONSTRUCTION



- UNIT : mm / inch
- A = 30.60 / 1.250 MAX
 - B = 7.62 / 0.300 MAX
 - C = 9.72 / 0.383 MAX
 - D = 3.20±0.30 / 0.126±0.012
 - E = 2.54 / 0.100 (TYP)
 - F = 0.50±0.127 / 0.020±0.005
 - G = 1.12±0.127 / 0.044±0.005
 - H = 0.254±0.127 / 0.010±0.005
 - I = 5.08 / 0.200 (TYP)

SCHEMATICS



DELTA ELECTRONICS, INC.

(TAOYUAN PLANT CPBG) 252, SAN YING ROAD, KUEI SAN INDUSTRIAL ZONE, TAOYUAN SHIEN, TAIWAN, R.O.C.
 TEL: 886-3-3591968; FAX: 886-3-3591991
[Http://www.deltaww.com/products/networking](http://www.deltaww.com/products/networking)