

KA79XX/KA79XXA

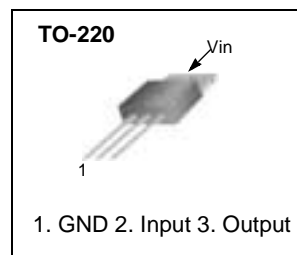
3-Terminal 1A Negative Voltage Regulator

Features

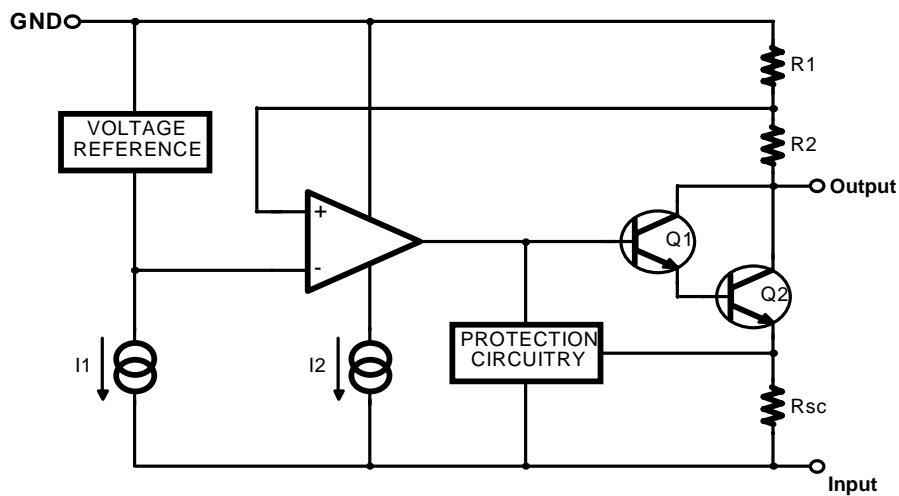
- Output Current in Excess of 1A
- Output Voltages of -5, -6, -8, -9, -10, -12, -15, -18, -24V
- Internal Thermal Overload Protection
- Short Circuit Protection
- Output Transistor Safe Operating Area Compensation

Description

The KA79XX/KA79XXA series of three-terminal negative regulators are available in TO-220 package and with several fixed output voltages, making them useful in a wide range of applications. Each type employs internal current limiting, thermal shutdown and safe operating area protection, making it essentially indestructible.



Internal Block Diagram



Absolute Maximum Ratings

| Parameter | Symbol | Value | Unit |
|--|-----------------|-------------|-----------------------------|
| Input Voltage | V_I | -35 | V |
| Thermal Resistance Junction-Case (Note1) | $R_{\theta JC}$ | 5 | $^{\circ}\text{C}/\text{W}$ |
| Thermal Resistance Junction-Air (Note1, 2) | $R_{\theta JA}$ | 65 | $^{\circ}\text{C}/\text{W}$ |
| Operating Temperature Range | TOPR | 0 ~ +125 | $^{\circ}\text{C}$ |
| Storage Temperature Range | TSTG | - 65 ~ +150 | $^{\circ}\text{C}$ |

Note:

- Thermal resistance test board
Size: 76.2mm * 114.3mm * 1.6mm(1S0P)
JEDEC standard: JESD51-3, JESD51-7
- Assume no ambient airflow

Electrical Characteristics (KA7905)

($V_I = -10\text{V}$, $I_O = 500\text{mA}$, $0^{\circ}\text{C} \leq T_J \leq +125^{\circ}\text{C}$, $C_I = 2.2\mu\text{F}$, $C_O = 1\mu\text{F}$, unless otherwise specified.)

| Parameter | Symbol | Conditions | Min. | Typ. | Max. | Unit | |
|----------------------------------|-----------------------|---|----------------------------|------|-------|------------------------|----|
| Output Voltage | V_O | $T_J = +25^{\circ}\text{C}$ | -4.8 | -5.0 | -5.2 | V | |
| | | $I_O = 5\text{mA}$ to 1A, $P_O \leq 15\text{W}$ $V_I = -7\text{V}$ to -20V | -4.75 | -5.0 | -5.25 | | |
| Line Regulation (Note3) | ΔV_O | $T_J = +25^{\circ}\text{C}$ | $V_I = -7\text{V}$ to -25V | - | 35 | 100 | mV |
| | | | $V_I = -8\text{V}$ to -12V | - | 8 | 50 | |
| Load Regulation (Note3) | ΔV_O | $T_J = +25^{\circ}\text{C}$, $I_O = 5\text{mA}$ to 1.5A | - | 10 | 100 | mV | |
| | | $T_J = +25^{\circ}\text{C}$, $I_O = 250\text{mA}$ to 750mA | - | 3 | 50 | | |
| Quiescent Current | I_Q | $T_J = +25^{\circ}\text{C}$ | - | 3 | 6 | mA | |
| Quiescent Current Change | ΔI_Q | $I_O = 5\text{mA}$ to 1A | - | 0.05 | 0.5 | mA | |
| | | $V_I = -8\text{V}$ to -25V | - | 0.1 | 0.8 | | |
| Temperature Coefficient of V_D | $\Delta V_O/\Delta T$ | $I_O = 5\text{mA}$ | - | -0.4 | - | mV/ $^{\circ}\text{C}$ | |
| Output Noise Voltage | V_N | $f = 10\text{Hz}$ to 100kHz, $T_A = +25^{\circ}\text{C}$ | - | 40 | - | μV | |
| Ripple Rejection | RR | $f = 120\text{Hz}$, $\Delta V_I = 10\text{V}$ | 54 | 60 | - | dB | |
| Dropout Voltage | V_D | $T_J = +25^{\circ}\text{C}$, $I_O = 1\text{A}$ | - | 2 | - | V | |
| Short Circuit Current | ISC | $T_J = +25^{\circ}\text{C}$, $V_I = -35\text{V}$ | - | 300 | - | mA | |
| Peak Current | IPK | $T_J = +25^{\circ}\text{C}$ | - | 2.2 | - | A | |

Note

- Load and line regulation are specified at constant junction temperature. Changes in V_O due to heating effects must be taken into account separately. Pulse testing with low duty is used.

Electrical Characteristics (KA7906) (Continued)(V_I = -11V, I_O = 500mA, 0°C ≤ T_J ≤ +125°C, C_I = 2.2μF, C_O = 1μF, unless otherwise specified.)

| Parameter | Symbol | Conditions | Min. | Typ. | Max. | Unit | |
|---|---------------------|--|------------------------------|------|-------|-------|----|
| Output Voltage | V _O | T _J = +25°C | -5.75 | -6 | -6.25 | V | |
| | | I _O = 5mA to 1A, P _O ≤ 15W V _I = -9V to -21V | -5.7 | -6 | -6.3 | | |
| Line Regulation (Note1) | ΔV _O | T _J = +25°C | V _I = -8V to -25V | - | 10 | 120 | mV |
| | | | V _I = -9V to -13V | - | 5 | 60 | |
| Load Regulation (Note1) | ΔV _O | T _J = +25°C, I _O = 5mA to 1.5A | - | 10 | 120 | mV | |
| | | T _J = +25°C, I _O = 250mA to 750mA | - | 3 | 60 | | |
| Quiescent Current | I _Q | T _J = +25°C | - | 3 | 6 | mA | |
| Quiescent Current Change | ΔI _Q | I _O = 5mA to 1A | - | 0.05 | 0.5 | mA | |
| | | V _I = -8V to -25V | - | 0.1 | 1.3 | | |
| Temperature Coefficient of V _D | ΔV _O /ΔT | I _O = 5mA | - | -0.5 | - | mV/°C | |
| Output Noise Voltage | V _N | f = 10Hz to 100kHz, T _A = +25°C | - | 130 | - | μV | |
| Ripple Rejection | RR | f = 120Hz, ΔV _I = 10V | 54 | 60 | - | dB | |
| Dropout Voltage | V _D | T _J = +25°C, I _O = 1A | - | 2 | - | V | |
| Short Circuit Current | I _{SC} | T _J = +25°C, V _I = -35V | - | 300 | - | mA | |
| Peak Current | I _{PK} | T _J = +25°C | - | 2.2 | - | A | |

Note

1. Load and line regulation are specified at constant junction temperature. Changes in V_O due to heating effects must be taken into account separately. Pulse testing with low duty is used.

Electrical Characteristics (KA7908) (Continued)(V_I = -14V, I_O = 500mA, 0°C ≤ T_J ≤ +125°C, C_I = 2.2μF, C_O = 1μF, unless otherwise specified.)

| Parameter | Symbol | Conditions | Min. | Typ. | Max. | Unit | |
|---|---------------------|---|---------------------------------|------|------|------|-------|
| Output Voltage | V _O | T _J = +25°C | -7.7 | -8 | -8.3 | V | |
| | | I _O = 5mA to 1A, P _O ≤ 15W V _I = -10V to -23V | -7.6 | -8 | -8.4 | | |
| Line Regulation (Note1) | ΔV _O | T _J = +25°C | V _I = -10.5V to -25V | - | 10 | 160 | mV |
| | | | V _I = -11V to -17V | - | 5 | 80 | |
| Load Regulation (Note1) | ΔV _O | T _J = +25°C, I _O = 5mA to 1.5A | | - | 12 | 160 | mV |
| | | T _J = +25°C, I _O = 250mA to 750mA | | - | 4 | 80 | |
| Quiescent Current | I _Q | T _J = +25°C | - | 3 | 6 | mA | |
| Quiescent Current Change | ΔI _Q | I _O = 5mA to 1A | | - | 0.05 | 0.5 | mA |
| | | V _I = -10.5V to -25V | | - | 0.1 | 1 | |
| Temperature Coefficient of V _D | ΔV _O /ΔT | I _O = 5mA | | - | -0.6 | - | mV/°C |
| Output Noise Voltage | V _N | f = 10Hz to 100kHz, T _A = +25°C | | - | 175 | - | μV |
| Ripple Rejection | RR | f = 120Hz, ΔV _I = 10V | | 54 | 60 | - | dB |
| Dropout Voltage | V _D | T _J = +25°C, I _O = 1A | | - | 2 | - | V |
| Short Circuit Current | I _{SC} | T _J = +25°C, V _I = -35V | | - | 300 | - | mA |
| Peak Current | I _{PK} | T _J = +25°C | | - | 2.2 | - | A |

Note

1. Load and line regulation are specified at constant junction temperature. Changes in V_O due to heating effects must be taken into account separately. Pulse testing with low duty is used.

Electrical Characteristics (KA7909) (Continued)(V_I = -15V, I_O = 500mA, 0°C ≤ T_J ≤ +125°C, C_I = 2.2μF, C_O = 1μF, unless otherwise specified.)

| Parameter | Symbol | Conditions | Min. | Typ. | Max. | Unit | |
|---|---------------------|--|---------------------------------|------|------|------|-------|
| Output Voltage | V _O | T _J = +25°C | -8.7 | -9.0 | -9.3 | V | |
| | | I _O = 5mA to 1A, P _O ≤ 15W V _I = -1.5V to -23V | -8.6 | -9.0 | -9.4 | | |
| Line Regulation (Note1) | ΔV _O | T _J = +25°C | V _I = -11.5V to -26V | - | 10 | 180 | mV |
| | | | V _I = -12V to -18V | - | 5 | 90 | |
| Load Regulation (Note1) | ΔV _O | T _J = +25°C, I _O = 5mA to 1.5A | | - | 12 | 180 | mV |
| | | T _J = +25°C, I _O = 250mA to 750mA | | - | 4 | 90 | |
| Quiescent Current | I _Q | T _J = +25°C | - | 3 | 6 | mA | |
| Quiescent Current Change | ΔI _Q | I _O = 5mA to 1A | | - | 0.05 | 0.5 | mA |
| | | V _I = -11.5V to -26V | | - | 0.1 | 1 | |
| Temperature Coefficient of V _D | ΔV _O /ΔT | I _O = 5mA | | - | -0.6 | - | mV/°C |
| Output Noise Voltage | V _N | f = 10Hz to 100kHz, T _A = +25°C | | - | 175 | - | μV |
| Ripple Rejection | RR | f = 120Hz, ΔV _I = 10V | | 54 | 60 | - | dB |
| Dropout Voltage | V _D | T _J = +25°C, I _O = 1A | | - | 2 | - | V |
| Short Circuit Current | I _{SC} | T _J = +25°C, V _I = -35V | | - | 300 | - | mA |
| Peak Current | I _{PK} | T _J = +25°C | | - | 2.2 | - | A |

Note

1. Load and line regulation are specified at constant junction temperature. Changes in V_O due to heating effects must be taken into account separately. Pulse testing with low duty is used.

Electrical Characteristics (KA7910) (Continued)(V_I = -17V, I_O = 500mA, 0°C ≤ T_J ≤ +125°C, C_I = 2.2μF, C_O = 1μF, unless otherwise specified.)

| Parameter | Symbol | Conditions | Min. | Typ. | Max. | Unit | |
|---|---------------------|--|---------------------------------|------|-------|------|-------|
| Output Voltage | V _O | T _J = +25°C | -9.6 | -10 | -10.4 | V | |
| | | I _O = 5mA to 1A, P _O ≤ 15W V _I = -12V to -28 | -9.5 | -10 | -10.5 | | |
| Line Regulation (Note1) | ΔV _O | T _J = +25°C | V _I = -12.5V to -28V | - | 12 | 200 | mV |
| | | | V _I = -14V to -20V | - | 6 | 100 | |
| Load Regulation (Note1) | ΔV _O | T _J = +25°C, I _O = 5mA to 1.5A | | - | 12 | 200 | mV |
| | | T _J = +25°C, I _O = 250mA to 750mA | | - | 4 | 100 | |
| Quiescent Current | I _Q | T _J = +25°C | - | 3 | 6 | mA | |
| Quiescent Current Change | ΔI _Q | I _O = 5mA to 1A | | - | 0.05 | 0.5 | mA |
| | | V _I = -12.5 to -28V | | - | 0.1 | 1 | |
| Temperature Coefficient of V _O | ΔV _O /ΔT | I _O = 5mA | | - | -1 | - | mV/°C |
| Output Noise Voltage | V _N | 10Hz ≤ f ≤ 100kHz, T _A = +25°C | | - | 280 | - | μV |
| Ripple Rejection | RR | f = 120Hz, ΔV _I = 10V | | 54 | 60 | - | dB |
| Dropout Voltage | V _D | T _J = +25°C, I _O = 1A | | - | 2 | - | V |
| Short Circuit Current | I _{SC} | T _J = +25°C, V _I = -35V | | - | 300 | - | mA |
| Peak Current | I _{PK} | T _J = +25°C | | - | 2.2 | - | A |

Note

1. Load and line regulation are specified at constant junction temperature. Changes in V_O due to heating effects must be taken into account separately. Pulse testing with low duty is used.

Electrical Characteristics (KA7912) (Continued)(V_I = -19V, I_O = 500mA, 0°C ≤ T_J ≤ +125°C, C_I = 2.2μF, C_O = 1μF, unless otherwise specified.)

| Parameter | Symbol | Conditions | Min. | Typ. | Max. | Unit | |
|---|---------------------|---|---------------------------------|------|-------|------|-------|
| Output Voltage | V _O | T _J = +25°C | -11.5 | -12 | -12.5 | V | |
| | | I _O = 5mA to 1A, P _O ≤ 15W V _I = -15.5V to -27V | -11.4 | -12 | -12.6 | | |
| Line Regulation (Note1) | ΔV _O | T _J = +25°C | V _I = -14.5V to -30V | - | 12 | 240 | mV |
| | | | V _I = -16V to -22V | - | 6 | 120 | |
| Load Regulation (Note1) | ΔV _O | T _J = +25°C, I _O = 5mA to 1.5A | | - | 12 | 240 | mV |
| | | T _J = +25°C, I _O = 250mA to 750mA | | - | 4 | 120 | |
| Quiescent Current | I _Q | T _J = +25°C | - | 3 | 6 | mA | |
| Quiescent Current Change | ΔI _Q | I _O = 5mA to 1A | | - | 0.05 | 0.5 | mA |
| | | V _I = -14.5V to -30V | | - | 0.1 | 1 | |
| Temperature Coefficient of V _D | ΔV _O /ΔT | I _O = 5mA | | - | -0.8 | - | mV/°C |
| Output Noise Voltage | V _N | f = 10Hz to 100kHz, T _A = +25°C | | - | 200 | - | μV |
| Ripple Rejection | RR | f = 120Hz, ΔV _I = 10V | | 54 | 60 | - | dB |
| Dropout Voltage | V _D | T _J = +25°C, I _O = 1A | | - | 2 | - | V |
| Short Circuit Current | I _{SC} | T _J = +25°C, V _I = -35V | | - | 300 | - | mA |
| Peak Current | I _{PK} | T _J = +25°C | | - | 2.2 | - | A |

Note

1. Load and line regulation are specified at constant junction temperature. Changes in V_O due to heating effects must be taken into account separately. Pulse testing with low duty is used.

Electrical Characteristics (KA7915) (Continued)(V_I = -23V, I_O = 500mA, 0°C ≤ T_J ≤ +125°C, C_I = 2.2μF, C_O = 1μF, unless otherwise specified.)

| Parameter | Symbol | Conditions | Min. | Typ. | Max. | Unit | |
|---|---------------------|---|---------------------------------|------|--------|------|-------|
| Output Voltage | V _O | T _J = +25°C | -14.4 | -15 | -15.6 | V | |
| | | I _O = 5mA to 1A, P _O ≤ 15W V _I = -18V to -30V | -14.25 | -15 | -15.75 | | |
| Line Regulation (Note1) | ΔV _O | T _J = +25°C | V _I = -17.5V to -30V | - | 12 | 300 | mV |
| | | | V _I = -20V to -26V | - | 6 | 150 | |
| Load Regulation (Note1) | ΔV _O | T _J = +25°C, I _O = 5mA to 1.5A | | - | 12 | 300 | mV |
| | | T _J = +25°C, I _O = 250mA to 750mA | | - | 4 | 150 | |
| Quiescent Current | I _Q | T _J = +25°C | - | 3 | 6 | mA | |
| Quiescent Current Change | ΔI _Q | I _O = 5mA to 1A | | - | 0.05 | 0.5 | mA |
| | | V _I = -17.5V to -30V | | - | 0.1 | 1 | |
| Temperature Coefficient of V _D | ΔV _O /ΔT | I _O = 5mA | | - | -0.9 | - | mV/°C |
| Output Noise Voltage | V _N | f = 10Hz to 100kHz, T _A = +25°C | | - | 250 | - | μV |
| Ripple Rejection | RR | f = 120Hz, ΔV _I = 10V | | 54 | 60 | - | dB |
| Dropout Voltage | V _D | T _J = +25°C, I _O = 1A | | - | 2 | - | V |
| Short Circuit Current | I _{SC} | T _J = +25°C, V _I = -35V | | - | 300 | - | mA |
| Peak Current | I _{PK} | T _J = +25°C | | - | 2.2 | - | A |

Note

1. Load and line regulation are specified at constant junction temperature. Changes in V_O due to heating effects must be taken into account separately. Pulse testing with low duty is used.

Electrical Characteristics (KA7918) (Continued)(V_I = -27V, I_O = 500mA, 0°C ≤ T_J ≤ +125°C, C_I = 2.2μF, C_O = 1μF, unless otherwise specified.)

| Parameter | Symbol | Conditions | Min. | Typ. | Max. | Unit | |
|---|---------------------|---|-------------------------------|------|-------|-------|----|
| Output Voltage | V _O | T _J = +25°C | -17.3 | -18 | -18.7 | V | |
| | | I _O = 5mA to 1A, P _O ≤ 15W V _I = -22.5V to -33V | -17.1 | -18 | -18.9 | | |
| Line Regulation (Note1) | ΔV _O | T _J = +25°C | V _I = -21V to -33V | - | 15 | 360 | mV |
| | | | V _I = -24V to -30V | - | 8 | 180 | |
| Load Regulation (Note1) | ΔV _O | T _J = +25°C, I _O = 5mA to 1.5A | - | 15 | 360 | mV | |
| | | T _J = +25°C, I _O = 250mA to 750mA | - | 5 | 180 | | |
| Quiescent Current | I _Q | T _J = +25°C | - | 3 | 6 | mA | |
| Quiescent Current Change | ΔI _Q | I _O = 5mA to 1A | - | 0.05 | 0.5 | mA | |
| | | V _I = -21V to -33V | - | 0.1 | 1 | | |
| Temperature Coefficient of V _D | ΔV _O /ΔT | I _O = 5mA | - | -1 | - | mV/°C | |
| Output Noise Voltage | V _N | f = 10Hz to 100kHz, T _A = +25°C | - | 300 | - | μV | |
| Ripple Rejection | RR | f = 120Hz, ΔV _I = 10V | 54 | 60 | - | dB | |
| Dropout Voltage | V _D | T _J = +25°C, I _O = 1A | - | 2 | - | V | |
| Short Circuit Current | I _{SC} | T _J = +25°C, V _I = -35V | - | 300 | - | mA | |
| Peak Current | I _{PK} | T _J = +25°C | - | 2.2 | - | A | |

Note

1. Load and line regulation are specified at constant junction temperature. Changes in V_O due to heating effects must be taken into account separately. Pulse testing with low duty is used.

Electrical Characteristics (KA7924) (Continued)(V_I = -33V, I_O = 500mA, 0°C ≤ T_J ≤ +125°C, C_I = 2.2μF, C_O = 1μF, unless otherwise specified.)

| Parameter | Symbol | Conditions | Min. | Typ. | Max. | Unit | |
|---|---------------------|---|-------------------------------|------|-------|-------|----|
| Output Voltage | V _O | T _J = +25°C | -23 | -24 | -25 | V | |
| | | I _O = 5mA to 1A, P _O ≤ 15W V _I = -27V to -38V | -22.8 | -24 | -25.2 | | |
| Line Regulation (Note1) | ΔV _O | T _J = +25°C | V _I = -27V to -38V | - | 15 | 480 | mV |
| | | | V _I = -30V to -36V | - | 8 | 180 | |
| Load Regulation (Note1) | ΔV _O | T _J = +25°C, I _O = 5mA to 1.5A | | - | 15 | 480 | mV |
| | | T _J = +25°C, I _O = 250mA to 750mA | | - | 5 | 240 | |
| Quiescent Current | I _Q | T _J = +25°C | - | 3 | 6 | mA | |
| Quiescent Current Change | ΔI _Q | I _O = 5mA to 1A | - | 0.05 | 0.5 | mA | |
| | | V _I = -27V to -38V | - | 0.1 | 1 | | |
| Temperature Coefficient of V _D | ΔV _O /ΔT | I _O = 5mA | - | -1 | - | mV/°C | |
| Output Noise Voltage | V _N | f = 10Hz to 100kHz, T _A = +25°C | - | 400 | - | μV | |
| Ripple Rejection | RR | f = 120Hz, ΔV _I = 10V | 54 | 60 | - | dB | |
| Dropout Voltage | V _D | T _J = +25°C, I _O = 1A | - | 2 | - | V | |
| Short Circuit Current | I _{SC} | T _J = +25°C, V _I = -35V | - | 300 | - | mA | |
| Peak Current | I _{PK} | T _J = +25°C | - | 2.2 | - | A | |

Note

1. Load and line regulation are specified at constant junction temperature. Changes in V_O due to heating effects must be taken into account separately. Pulse testing with low duty is used.

Electrical Characteristics (KA7905A) (Continued)(V_I = -10V, I_O = 500mA, 0°C ≤ T_J ≤ +125°C, C_I = 2.2μF, C_O = 1μF, unless otherwise specified.)

| Parameter | Symbol | Conditions | Min. | Typ. | Max. | Unit | |
|---|---------------------|--|---|------|------|-------|----|
| Output Voltage | V _O | T _J = +25°C | -4.9 | -5.0 | -5.1 | V | |
| | | I _O = 5mA to 1A, P _O ≤ 15W V _I = -7V to -20V | -4.8 | -5.0 | -5.2 | | |
| Line Regulation (Note1) | ΔV _O | T _J = +25°C | V _I = -7V to -20V I _O = 1A | - | 5 | 50 | mV |
| | | | V _I = -8V to -12V I _O = 1A | - | 2 | 25 | |
| | | V _I = -7.5V to -25V | - | 7 | 50 | | |
| | | V _I = -8V to -12V, I _O = 1A | - | 7 | 50 | | |
| Load Regulation (Note1) | ΔV _O | I _O = 5mA to 1.5A T _J = +25°C | - | 10 | 100 | mV | |
| | | T _J = +25°C, I _O = 250mA to 750mA | - | 3 | 50 | | |
| Quiescent Current | I _Q | T _J = +25°C | - | 3 | 6 | mA | |
| Quiescent Current Change | ΔI _Q | I _O = 5mA to 1A | - | 0.05 | 0.5 | mA | |
| | | V _I = -8V to -25V | - | 0.1 | 0.8 | | |
| Temperature Coefficient of V _D | ΔV _O /ΔT | I _O = 5mA | - | -0.4 | - | mV/°C | |
| Output Noise Voltage | V _N | f = 10Hz to 100kHz, T _A = +25°C | - | 40 | - | μV | |
| Ripple Rejection | RR | f = 120Hz, ΔV _I = 10V | 54 | 60 | - | dB | |
| Dropout Voltage | V _D | T _J = +25°C, I _O = 1A | - | 2 | - | V | |
| Short Circuit Current | I _{SC} | T _J = +25°C, V _I = -35V | - | 300 | - | mA | |
| Peak Current | I _{PK} | T _J = +25°C | - | 2.2 | - | A | |

Note

1. Load and line regulation are specified at constant junction temperature. Changes in V_O due to heating effects must be taken into account separately. Pulse testing with low duty is used.

Electrical Characteristics (KA7912A) (Continued)(V_I = -19V, I_O = 500mA, 0°C ≤ T_J ≤ +125°C, C_I = 2.2μF, C_O = 1μF, unless otherwise specified.)

| Parameter | Symbol | Conditions | Min. | Typ. | Max. | Unit | |
|---|---------------------|---|--|------|--------|-------|----|
| Output Voltage | V _O | T _J = +25°C | -11.75 | -12 | -12.25 | V | |
| | | I _O = 5mA to 1A, P _O ≤ 15W V _I = -15.5V to -27V | -11.5 | -12 | -12.5 | | |
| Line Regulation (Note1) | ΔV _O | T _J = +25°C | V _I = -14.5V to -27V I _O = 1A | - | 12 | 120 | mV |
| | | | V _I = -16V to -22V I _O = 1A | - | 6 | 60 | |
| | | V _I = -14.8V to -30V | - | 12 | 120 | | |
| | | V _I = -16V to -22V, I _O = 1A | - | 12 | 120 | | |
| Load Regulation (Note1) | ΔV _O | T _J = +25°C, I _O = 5mA to 1.5A | - | 12 | 150 | mV | |
| | | T _J = +25°C, I _O = 250mA to 750mA | - | 4 | 75 | | |
| Quiescent Current | I _Q | T _J = +25°C | - | 3 | 6 | mA | |
| Quiescent Current Change | ΔI _Q | I _O = 5mA to 1A | - | 0.05 | 0.5 | mA | |
| | | V _I = -15V to -30V | - | 0.1 | 1 | | |
| Temperature Coefficient of V _D | ΔV _O /ΔT | I _O = 5mA | - | -0.8 | - | mV/°C | |
| Output Noise Voltage | V _N | f = 10Hz to 100kHz, T _A = +25°C | - | 200 | - | μV | |
| Ripple Rejection | RR | f = 120Hz, ΔV _I = 10V | 54 | 60 | - | dB | |
| Dropout Voltage | V _D | T _J = +25°C, I _O = 1A | - | 2 | - | V | |
| Short Circuit Current | I _{SC} | T _J = +25°C, V _I = -35V | - | 300 | - | mA | |
| Peak Current | I _{PK} | T _J = +25°C | - | 2.2 | - | A | |

Note

1. Load and line regulation are specified at constant junction temperature. Changes in V_O due to heating effects must be taken into account separately. Pulse testing with low duty is used.

Electrical Characteristics (KA7915A) (Continued)(V_I = -23V, I_O = 500mA, 0°C ≤ T_J ≤ +125°C, C_I = 2.2μF, C_O = 1μF, unless otherwise specified.)

| Parameter | Symbol | Conditions | Min. | Typ. | Max. | Unit | |
|---|---------------------|---|--|------|-------|-------|----|
| Output Voltage | V _O | T _J = +25°C | -14.7 | -15 | -15.3 | V | |
| | | I _O = 5mA to 1A, P _O ≤ 15W V _I = -18V to -30V | -14.4 | -15 | -15.6 | | |
| Line Regulation (Note1) | ΔV _O | T _J = +25°C | V _I = -17.5V to -30V I _o = 1A | - | 12 | 150 | mV |
| | | | V _I = -20V to -26V I _o = 1A | - | 6 | 75 | |
| | | V _I = -17.9V to -30V | - | 12 | 150 | | |
| | | V _I = -20V to -26V, I _o = 1A | - | 6 | 150 | | |
| Load Regulation (Note1) | ΔV _O | T _J = +25°C, I _O = 5mA to 1.5A | - | 12 | 150 | mV | |
| | | T _J = +25°C, I _O = 250mA to 750mA | - | 4 | 75 | | |
| Quiescent Current | I _Q | T _J = +25°C | - | 3 | 6 | mA | |
| Quiescent Current Change | ΔI _Q | I _O = 5mA to 1A | - | 0.05 | 0.5 | mA | |
| | | V _I = -18.5V to -30V | - | 0.1 | 1 | | |
| Temperature Coefficient of V _D | ΔV _O /ΔT | I _O = 5mA | - | -0.9 | - | mV/°C | |
| Output Noise Voltage | V _N | f = 10Hz to 100kHz, T _A = +25°C | - | 250 | - | μV | |
| Ripple Rejection | RR | f = 120Hz, ΔV _I = 10V | 54 | 60 | - | dB | |
| Dropout Voltage | V _D | T _J = +25°C, I _O = 1A | - | 2 | - | V | |
| Short Circuit Current | I _{SC} | T _J = +25°C, V _I = -35V | - | 300 | - | mA | |
| Peak Current | I _{PK} | T _J = +25°C | - | 2.2 | - | A | |

Note

1. Load and line regulation are specified at constant junction temperature. Changes in V_O due to heating effects must be taken into account separately. Pulse testing with low duty is used.

Typical Performance Characteristics

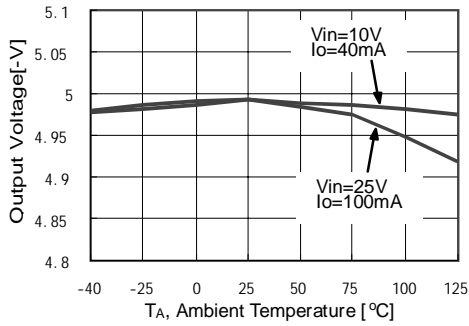


Figure 1. Output Voltage

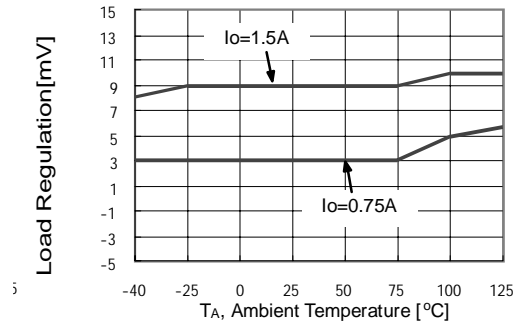


Figure 2. Load Regulation

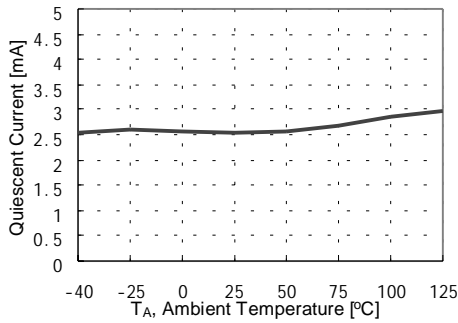


Figure 3. Quiescent Current

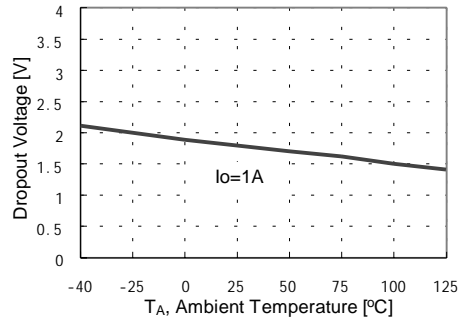


Figure 4. Dropout Voltage

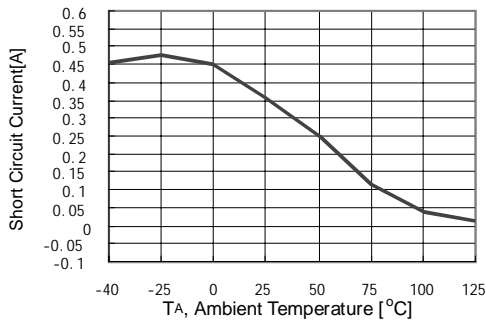


Figure 5. Short Circuit Current

Typical Applications

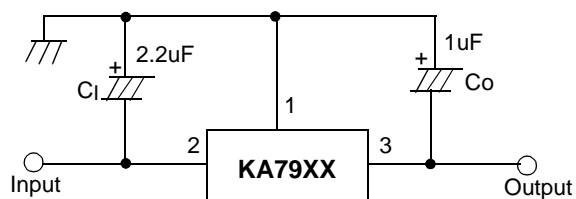


Figure 6. Negative Fixed output regulator

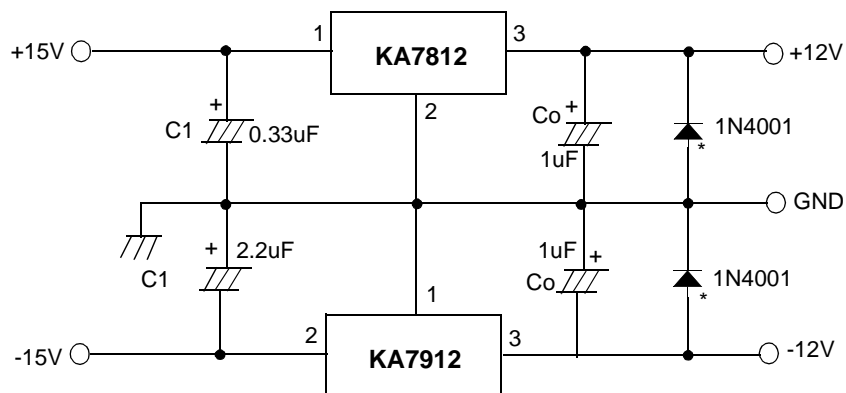


Figure 7. Split power supply (± 12V/1A)

Note:

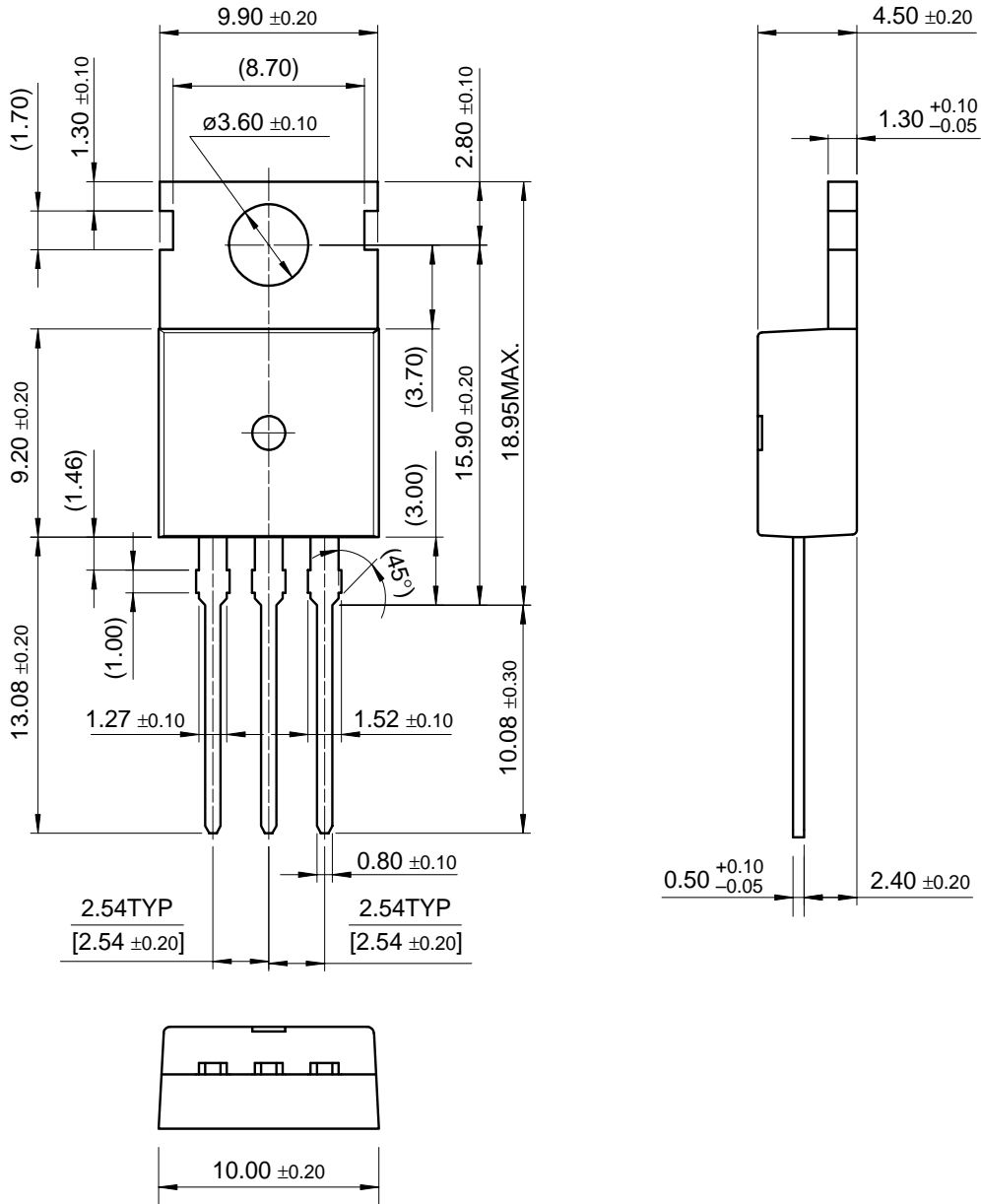
- (1) To specify an output voltage, substitute voltage value for "XX "
- (2) Required for stability. For value given, capacitor must be solid tantalum. If aluminium electronics are used, at least ten times value shown should be selected. C₁ is required if regulator is located an appreciable distance from power supply filter.
- (3) To improve transient response. If large capacitors are used, a high current diode from input to output (1N4001 or similar) should be introduced to protect the device from momentary input short circuit.

Mechanical Dimensions

Package

Dimensions in millimeters

TO-220



Ordering Information

| Product Number | Output Voltage Tolerance | Package | Operating Temperature |
|----------------|--------------------------|---------|-----------------------|
| KA7905 | ±4% | TO-220 | 0 ~ +125°C |
| KA7906 | | | |
| KA7908 | | | |
| KA7909 | | | |
| KA7910 | | | |
| KA7912 | | | |
| KA7915 | | | |
| KA7918 | | | |
| KA7924 | | | |
| KA7905A | | | |
| KA7912A | | | |
| KA7915A | | | |

DISCLAIMER

FAIRCHILD SEMICONDUCTOR RESERVES THE RIGHT TO MAKE CHANGES WITHOUT FURTHER NOTICE TO ANY PRODUCTS HEREIN TO IMPROVE RELIABILITY, FUNCTION OR DESIGN. FAIRCHILD DOES NOT ASSUME ANY LIABILITY ARISING OUT OF THE APPLICATION OR USE OF ANY PRODUCT OR CIRCUIT DESCRIBED HEREIN; NEITHER DOES IT CONVEY ANY LICENSE UNDER ITS PATENT RIGHTS, NOR THE RIGHTS OF OTHERS.

LIFE SUPPORT POLICY

FAIRCHILD'S PRODUCTS ARE NOT AUTHORIZED FOR USE AS CRITICAL COMPONENTS IN LIFE SUPPORT DEVICES OR SYSTEMS WITHOUT THE EXPRESS WRITTEN APPROVAL OF THE PRESIDENT OF FAIRCHILD SEMICONDUCTOR CORPORATION. As used herein:

1. Life support devices or systems are devices or systems which, (a) are intended for surgical implant into the body, or (b) support or sustain life, and (c) whose failure to perform when properly used in accordance with instructions for use provided in the labeling, can be reasonably expected to result in a significant injury of the user.
2. A critical component in any component of a life support device or system whose failure to perform can be reasonably expected to cause the failure of the life support device or system, or to affect its safety or effectiveness.