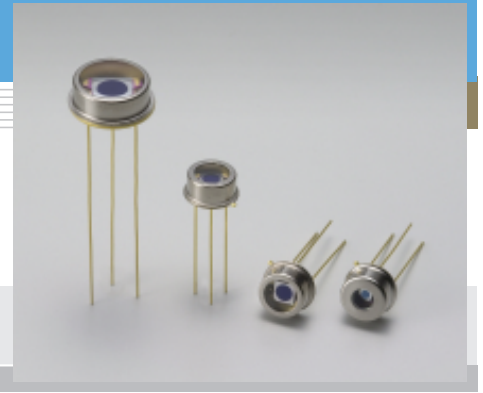


# Si PIN photodiode S3071, S3072, S3399, S3883

## Large area, high-speed Si PIN photodiodes



S3071, S3072, S3399 and S3883 are Si PIN photodiodes having a relatively large active area from  $\phi 1.5$  to  $\phi 5.0$  mm yet they offer excellent frequency response from 40 to 300 MHz. These photodiodes are suitable for spatial light transmission and high-speed pulsed light detection.

### Features

- Active area size  
S3071:  $\phi 5.0$  mm  
S3072:  $\phi 3.0$  mm  
S3399:  $\phi 3.0$  mm  
S3883:  $\phi 1.5$  mm
- Cut-off frequency  
S3071: 40 MHz ( $V_R=24$  V)  
S3072: 45 MHz ( $V_R=24$  V)  
S3399: 100 MHz ( $V_R=10$  V)  
S3883: 300 MHz ( $V_R=20$  V)
- High reliability: TO-5/8 metal package

### Applications

- Spatial light transmission
- High-speed pulsed light detection

### ■ General ratings / Absolute maximum ratings

Type No.	Dimensional outline/ Window material *1	Package (mm)	Active area size (mm)	Effective active area (mm <sup>2</sup> )	Absolute maximum ratings			
					Reverse voltage $V_R$ Max. (V)	Power dissipation P (mW)	Operating temperature $T_{opr}$ (°C)	Storage temperature $T_{stg}$ (°C)
S3071	①/K	TO-8	$\phi 5.0$	19.6	50	50	-40 to +100	-55 to +125
S3072	②/K	TO-5	$\phi 3.0$	7.0				
S3399	③/K		$\phi 3.0$	7.0				
S3883	④/K		$\phi 1.5$	1.7	30			

### ■ Electrical and optical characteristics (Typ. $T_a=25$ °C, unless otherwise noted)

Type No.	Spectral response range $\lambda$ (nm)	Peak sensitivity wavelength $\lambda_p$ (nm)	Photo sensitivity S (A/W)				Short circuit current $I_{sc}$ 100 lx ( $\mu$ A)	Dark current $I_D$ (nA)		Temp. coefficient of $I_D$ $T_{CID}$ (times/°C)	Cut-off frequency $f_c$ $R_L=50 \Omega$ (MHz)	Terminal capacitance $C_t$ $f=1$ kHz (pF)	NEP (W/Hz <sup>1/2</sup> )
			$\lambda_p$	660 nm	780 nm	830 nm		Typ.	Max.				
S3071	320 to 1060	920	0.6	0.47	0.54	0.56	17	0.5 <sup>*3</sup>	10 <sup>*3</sup>	1.15	40 <sup>*3</sup>	18 <sup>*3</sup>	$2.1 \times 10^{-14}$ <sup>*3</sup>
S3072								0.3 <sup>*3</sup>	10 <sup>*3</sup>				
S3399	320 to 1000	840	0.6	0.45	0.58	0.6	5.6	0.1 <sup>*4</sup>	1.0 <sup>*4</sup>	1.12	100 <sup>*4</sup>	20 <sup>*4</sup>	$9.4 \times 10^{-15}$ <sup>*4</sup>
S3883								0.05 <sup>*2</sup>	1.0 <sup>*2</sup>				

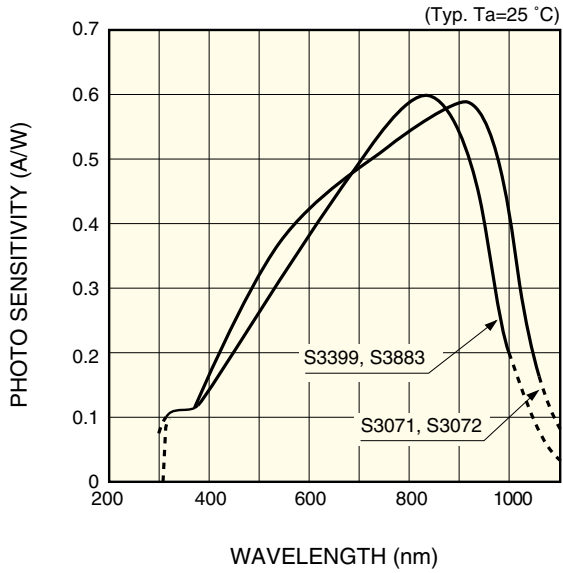
\*1: Window material K: borosilicate glass

\*2:  $V_R=20$  V

\*3:  $V_R=24$  V

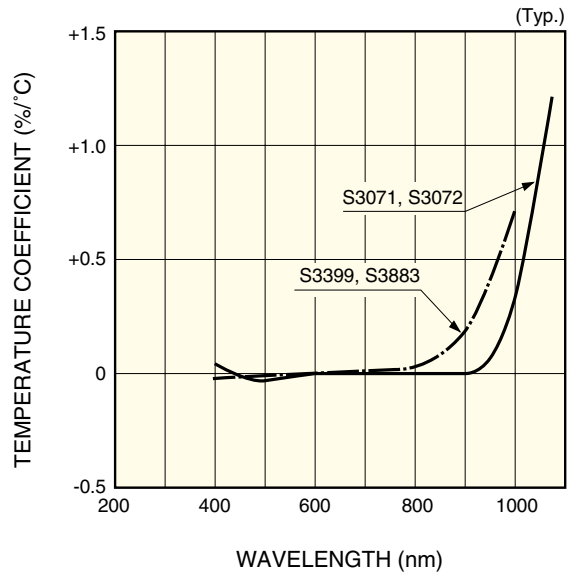
\*4:  $V_R=10$  V

■ Spectral response



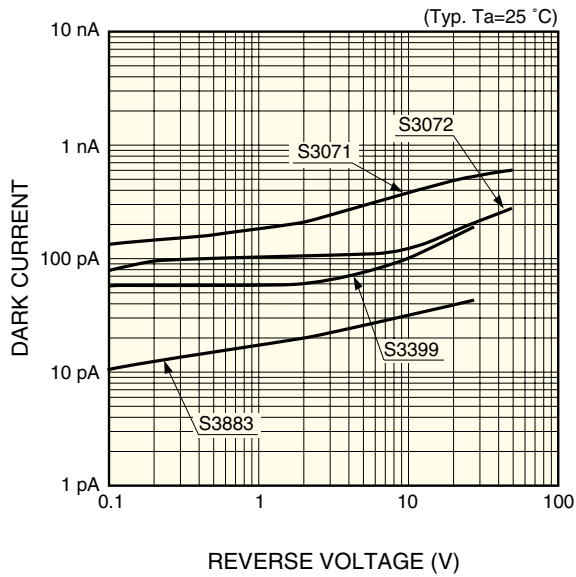
KPINB0147EA

■ Photo sensitivity temperature characteristics



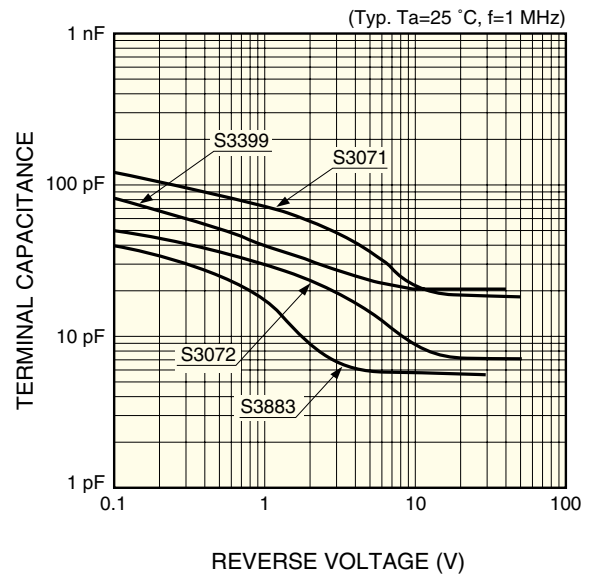
KPINB0148EA

■ Dark current vs. reverse voltage



KPINB0149EA

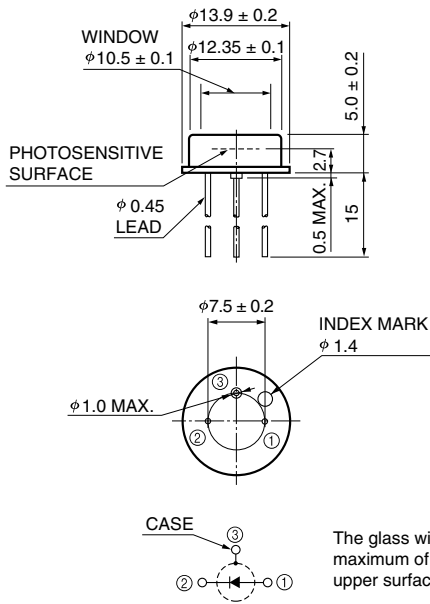
■ Terminal capacitance vs. reverse voltage



KPINB0150EA

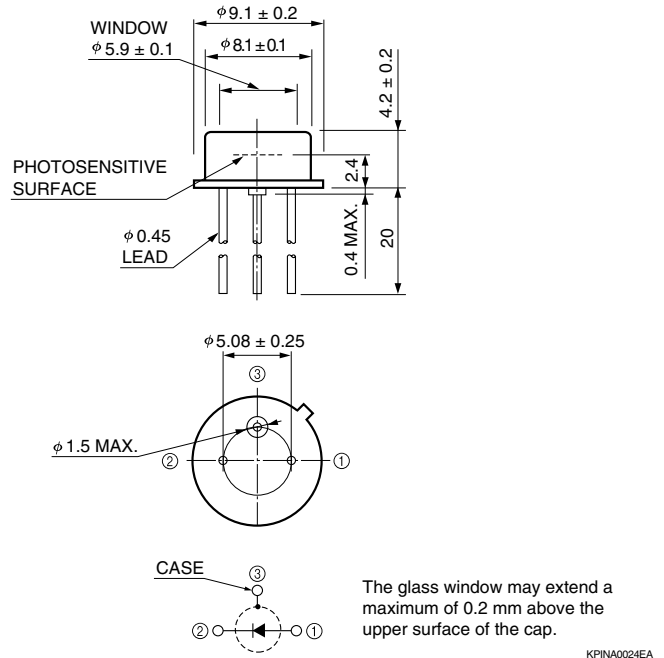
Dimensional outline (unit: mm)

① S3071



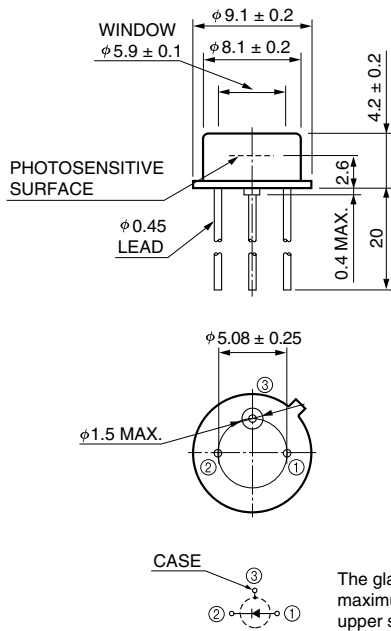
KPINA0027EC

② S3072



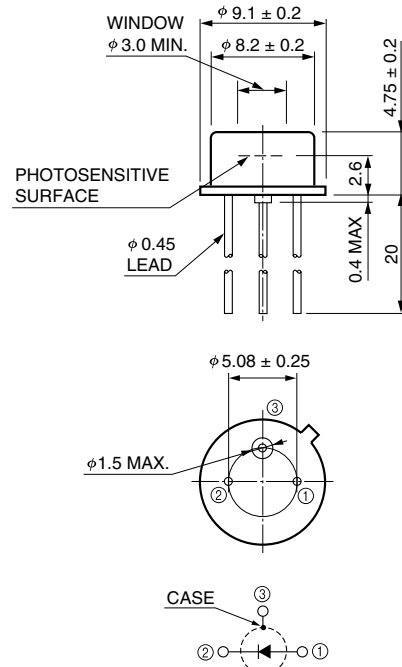
KPINA0024EA

③ S3399



KPINA0026EA

④ S3883



KPINA0025EB

**HAMAMATSU**

Information furnished by HAMAMATSU is believed to be reliable. However, no responsibility is assumed for possible inaccuracies or omissions. Specifications are subject to change without notice. No patent rights are granted to any of the circuits described herein. ©2001 Hamamatsu Photonics K.K.

HAMAMATSU PHOTONICS K.K., Solid State Division

1126-1 Ichino-cho, Hamamatsu City, 435-8558 Japan, Telephone: (81) 053-434-3311, Fax: (81) 053-434-5184, <http://www.hamamatsu.com>

U.S.A.: Hamamatsu Corporation: 360 Foothill Road, P.O.Box 6910, Bridgewater, N.J. 08807-0910, U.S.A., Telephone: (1) 908-231-0960, Fax: (1) 908-231-1218

Germany: Hamamatsu Photonics Deutschland GmbH: Arzbergerstr. 10, D-82211 Herrsching am Ammersee, Germany, Telephone: (49) 08152-3750, Fax: (49) 08152-2658

France: Hamamatsu Photonics France S.A.R.L.: 8, Rue du Saule Trapu, Parc du Moulin de Massy, 91882 Massy Cedex, France, Telephone: 33-(1) 69 53 71 00, Fax: 33-(1) 69 53 71 10

United Kingdom: Hamamatsu Photonics UK Limited: 2 Howard Court, 10 Tewin Road, Welwyn Garden City, Hertfordshire AL7 1BW, United Kingdom, Telephone: (44) 1707-294888, Fax: (44) 1707-325777

North Europe: Hamamatsu Photonics Norden AB: Smidesvägen 12, SE-171 41 Solna, Sweden, Telephone: (46) 8-509-031-00, Fax: (46) 8-509-031-01

Italy: Hamamatsu Photonics Italia S.R.L.: Strada della Moia, 1/E, 20020 Arese, (Milano), Italy, Telephone: (39) 02-935-81-733, Fax: (39) 02-935-81-741

