

L84225 100BaseTX/FX/10BaseT Physical Layer Device Technical Manual



Features

- Single-chip 100BaseTX/100BaseFX/10BaseT physical layer solution
- Four independent Channels in One IC
- 3.3 V power supply with 5 V tolerant I/O
- Dual Speed - 10/100 Mbps
- Half and Full Duplex
- MII interface or reduced pin count MII (RMII) interface to Ethernet Controller
- MI interface for configuration and status
- Optional Repeater Interface
- AutoNegotiation for 10/100, Full/Half Duplex hardware controlled advertisement
- Meets all applicable IEEE 802.3, 10BaseT, 100BaseTX and 100BaseFX standards
- On-chip wave shaping - no external filters required
- Adaptive Equalizer for 100BaseTX
- Baseline Wander Correction
- LED outputs
 - Link, Activity, Collision
 - Full Duplex
 - Far End Fault (for FX)
 - 10/100
- 160L PQFP

Contents	
<ul style="list-style-type: none"> Description 2 Pin Description 4 Functional Description13 Register Description.....57 Application Information.....70 	<ul style="list-style-type: none"> Specifications 87 Ordering Information 114 Revision History 114 Surface Mount Packages..... 117

Note: Check for the latest revision of this document before starting any designs. This document is available on the Web, at www.lsillogic.com

Description

The L84225 is a highly integrated Ethernet Transceiver for twisted pair and fiber Ethernet applications. The L84225 can be configured for either 100 Mbps (100BaseFX or 100BaseTX) or 10 Mbps (10BaseT) Ethernet operation.

The L84225 consists of four (4) separate and independent channels. Each channel consists of: 4B5B/Manchester encoder, scrambler, transmitter with wave shaping and on-chip filters, transmit output driver, receiver with adaptive equalizer, filters, baseline wander correction, clock and data recovery, descrambler, 4B5B/Manchester decoder, and controller interface (MII or RMII).

The addition of internal output waveshaping circuitry and on-chip filters eliminates the need for external filters normally required in 100BaseTX and 10BaseT applications.

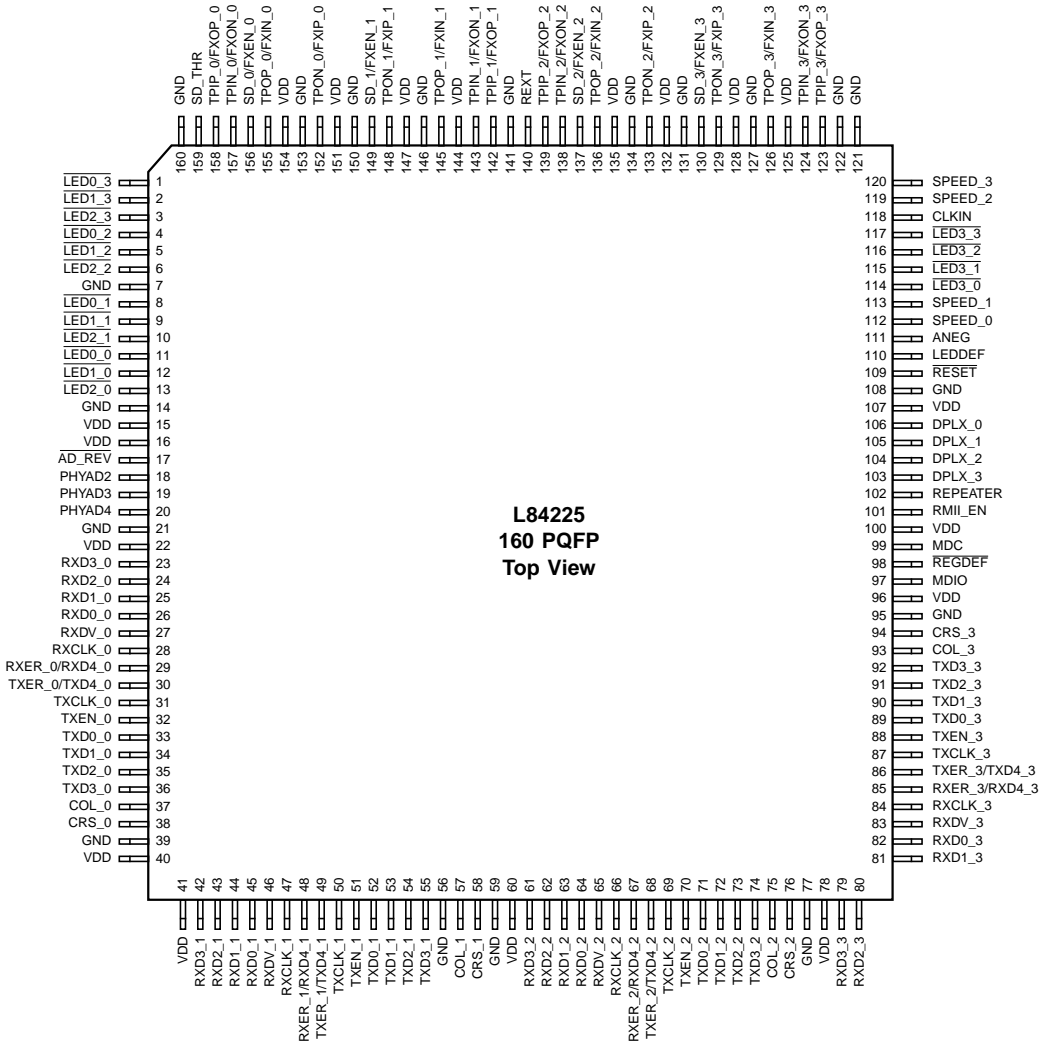
The L84225 can automatically configure itself for 100 or 10 Mbps and Full or Half Duplex operation, for each channel independently, using the on-chip AutoNegotiation algorithm.

The L84225 can access eleven 16-bit registers for each channel through the Management Interface (MI) serial port. These registers comply with Clause 22 of IEEE 802.3u and contain configuration inputs, status outputs, and device capabilities.

The L84225 is ideal as a media interface for 100BaseTX/100BaseFX/10BaseT switching hubs, repeaters, routers, bridges, and other multi port applications.

The L84225 is implemented in a low power CMOS technology and operates with a 3.3V power supply.

Pin Configuration



1 Pin Description

Pin Description

Power Supplies			
Pin #	Pin Name	I/O	Description
15 16 22 40 41 60 78 96 100 107 125 128 132 135 144 147 151 154	VDD	---	Positive Supply. +3.3 5%Volts.
7 14 21 39 56 59 77 95 108 121 122 127 131 134 141 146 150 153 160	GND	---	Ground. 0 Volts.

Pin Description (Cont.)

Media Interface			
Pin #	Pin Name	I/O	Description
126 136 145 155	TPOP_[3:0]/ FXIN_[3:0]	I/O	Twisted Pair Transmit Output, Positive. Fiber Receive Input, Negative.
129 133 148 152	TPON_[3:0]/ FXIP_[3:0]	I/O	Twisted Pair Transmit Output, Negative. Fiber Receive Input, Positive.
123 139 142 158	TPIP_[3:0]/ FXOP_[3:0]	I/O	Twisted Pair Receive Input, Positive. Fiber Transmit Output, Positive.
124 138 143 157	TPIN_[3:0]/ FXON_[3:0]	I/O	Twisted Pair Receive Input, Negative. Fiber Transmit Output, Negative.
130 137 149 156	SD_[3:0]/ FXEN_[3:0]	I	Fiber Interface Signal Detect Input. Fiber Interface Enable. When this pin is not tied to GND, the fiber interface is enabled and this pin becomes a Signal Detect ECL input. The trip point for this ECL input is determined by the voltage applied to the SD_THR pin. When this pin is tied to GND, the fiber interface is disabled (i.e., TP Interface is enabled).
159	SD_THR	---	Fiber Interface Signal Detect Threshold Reference. The voltage applied to this pin sets the reference level for the fiber interface SD input pin so that the device can directly connect SD pin to both 3.3V and 5V fiber optic transceivers. Typically, this pin is either tied to GND (for 3.3V) or to an external voltage divider (for 5V).
140	REXT	---	Transmit Current Set. An external resistor connected between this pin and GND will set the level for the transmit outputs.

Pin Description (Cont.)

Controller Interface (MII & RMII)			
Pin #	Pin Name	I/O	Description
87 69 50 31	TXCLK_[3:0]	O	Transmit Clock Output. These interface outputs provide clocks to external controllers. Transmit data from the controller on TXD, TXEN, and TXER is clocked in on the rising edges of TXCLK and CLKIN.
88 70 51 32	TXEN_[3:0]	I	Transmit Enable Input. These interface inputs must be asserted active high to allow data on TXD and TXER to be clocked in on the rising edges of TXCLK and CLKIN.
[92:89] [74:71] [55:52] [36:33]	TXD[3:0]_3 TXD[3:0]_2 TXD[3:0]_1 TXD[3:0]_0	I	Transmit Data Input. These interface inputs contain input nibble data to be transmitted on the TP or FX outputs and are clocked in on rising edges of TXCLK and CLKIN. In RMII mode, only TXD[1:0] are used.
86 68 49 30	TXER_[3:0]/ TXD4_[3:0]	I	Transmit Error Input. These interface inputs initiate an error pattern to be transmitted on the TP or FX outputs and are clocked in on rising edges of TXCLK when TXEN is asserted. If the channel is placed in the Bypass 4B5B Encoder mode, these pins are reconfigured to be the fifth TXD transmit data input, TXD4. In RMII mode, these pins are not used.
84 66 47 28	RXCLK_[3:0]	O	Receive Clock Output. These interface outputs provide a clock to the controller. Receive data on RXD, RXDV, and RXER is clocked out to the controller on falling edges of RXCLK.
94 76 58 38	CRS_[3:0]	O	Carrier Sense Output. These interface outputs are asserted active high when valid data is detected on the receive TP or FX inputs and is clocked out on the falling edge of RXCLK.
83 65 46 27	RXDV_[3:0]	O	Receive Data Valid Output. These interface outputs are asserted active high when valid decoded data is present on the RXD outputs and is clocked out on falling edges of RXCLK. In RMII mode, these pins are not used.
[79:82] [61:64] [42:45] [23:26]	RXD[3:0]_3 RXD[3:0]_2 RXD[3:0]_1 RXD[3:0]_0	O	Receive Data Output. These interface outputs contain recovered nibble data from the TP or FX inputs and are clocked out on the falling edges of RXCLK. In RMII mode, only RXD[1:0] are used.

Pin Description (Cont.)

Controller Interface (MII & RMII) [Continued]																		
Pin #	Pin Name	I/O	Description															
85 67 48 29	RXER_[3:0]/ RXD4_[3:0]	O	Receive Error Output. These interface outputs are asserted active high when coding or other specified errors are detected on the TP or FX inputs and are clocked out on falling edges of RXCLK. If the channel is placed in the Bypass 4B5B Decoder mode, these pins are reconfigured to be the fifth RXD receive data output, RXD4.															
93 75 57 37	COL_[3:0]	O	Collision Output. These interface outputs are asserted active high when collision between transmit and receive data is detected.															
Management Interface (MI)																		
Pin #	Pin Name	I/O	Description															
99	MDC	I	Management Interface (MI) Clock Input. This MI clock shifts serial data into and out of MDIO on rising edges.															
97	MDIO	I/O	Management Interface (MI) Data Input/Output. This bidirectional pin contains serial data that is clocked in and out on rising edges of the MDC clock.															
98	REGDEF	I Pullup	Invalid Register Read Select This active low input controls the default values that are read from invalid (unused) register locations. 1 = All unused register locations return a value of '0000' when read. 0 = All unused register locations return a value of 'ffff' when read. Note: Not available on Rev. B product. On Rev. B product all invalid register locations return a value of '0000' when read.															
20 19 18	PHYAD[4:2]	I	MI Physical Device Address Input. These pins set the three most significant bits of the PHY address. The two least significant bits of the PHY address are set internally to match the channel number, as shown below: <table style="margin-left: auto; margin-right: auto;"> <thead> <tr> <th></th> <th>PHYAD$\bar{1}$</th> <th>PHYAD$\bar{0}$</th> </tr> </thead> <tbody> <tr> <td>Channel 3</td> <td>1</td> <td>1</td> </tr> <tr> <td>Channel 2</td> <td>1</td> <td>0</td> </tr> <tr> <td>Channel 1</td> <td>0</td> <td>1</td> </tr> <tr> <td>Channel 0</td> <td>0</td> <td>0</td> </tr> </tbody> </table>		PHYAD $\bar{1}$	PHYAD $\bar{0}$	Channel 3	1	1	Channel 2	1	0	Channel 1	0	1	Channel 0	0	0
	PHYAD $\bar{1}$	PHYAD $\bar{0}$																
Channel 3	1	1																
Channel 2	1	0																
Channel 1	0	1																
Channel 0	0	0																

Pin Description (Cont.)

LED Drivers			
Pin #	Pin Name	I/O	Description
117 116 115 114	$\overline{\text{LED3}}_{[3:0]}$	O	<p>LED Output. The default functions of these pins are 100 Mbps Link Detect outputs assuming LEDDEF = 0. These pins can drive an LED from both VDD and GND.</p> <p>Please refer to Table 2 for LED description</p>
3 6 10 13	$\overline{\text{LED2}}_{[3:0]}$	O	<p>LED Output. The default functions of these pins are Activity Detect outputs assuming LEDDEF = 0. These pins can drive an LED from both VDD and GND.</p> <p>Please refer to Table 2 for LED description</p>
2 5 9 12	$\overline{\text{LED1}}_{[3:0]}$	O	<p>LED Output. The default functions of these pins are Full Duplex Detect outputs assuming LEDDEF = 0. These pins can drive an LED from both VDD and GND.</p> <p>Please refer to Table 2 for LED description</p>
1 4 8 11	$\overline{\text{LED0}}_{[3:0]}$	O	<p>LED Output. The default functions of these pins are 10 Mbps Link Detect outputs assuming LEDDEF = 0. These pins can drive an LED from both VDD and GND.</p> <p>Please refer to Table 2 for LED description.</p>
110	LEDDEF	I	<p>LED Default Select Input. This pin changes the default selection for the LEDs in the MI Serial Port Global Configuration Register.</p> <p>1 = LINK + ACT, COL, FDX, 10/100 0 = LINK100, ACT, FDX, LNK10</p>

Pin Description (Cont.)

Miscellaneous			
Pin #	Pin Name	I/O	Description
111	ANEG	I	AutoNegotiation Enable Input. This digital input, ANDed with register bit 0.12, enables AutoNegotiation for all channels. 1 = AutoNegotiation On & Combined with Speed and Duplex pins, control advertisement. See Table 1 for the different combinations. 0 = Off
120 119 113 112	SPEED_[3:0]	I	Speed Selection Input. These digital inputs, ANDed with register bit 0.13, select speed in each corresponding channel. Please refer to Table 1 for the different combinations. 1 = 100 Mbps Mode 0 = 10 Mbps Mode
103 104 105 106	DPLX_[3:0]	I	Duplex Selection Input. These digital inputs, ORed with register bit 0.8, select the duplex mode in EACH corresponding channel. They control advertisement when ANEG is enabled. See Table 1 for the different combinations. 1 = Full Duplex Mode 0 = Half Duplex Mode
102	REPEATER	I	Repeater Mode Enable Input. This digital input, ORed with register bit 17.14, enables repeater mode for ALL channels. 1 = Repeater Mode Enabled 0 = Normal Operation
101	$\overline{\text{RMII_EN}}$	I	Reduced Pin Count MII Interface Enable. 1 = RMII Mode Enabled 0 = MII Enabled
17	$\overline{\text{AD_REV}}$	I Pullup	Address Reverse Input. 1 = Normal In this mode, physical ports 0-3 are mapped to MI addresses 0-3 in the same order. 0 = Reverse Address Mode Select In this mode, physical ports 0-3 are mapped to MI addresses 3-0 respectively. This is the reverse to the normal order.
118	CLKIN	I	Clock Input. In MII mode, there must be a 25 MHz clock input to this pin. In RMII mode, there must be a 50 MHz clock input to this pin. TXCLK is generated from the input to this pin.
109	$\overline{\text{RESET}}$	I Pullup	Hardware Reset Input. 1 = Normal 0 = Device In Reset State (Reset is complete 50 ms after $\overline{\text{RESET}}$ goes high).

Table 1 AutoNegotiation, Speed & Duplex Mode Combinations

Input Pins				Mode Selected			
Aneg	Speed [3:0]	Duplx [3:0]	Autoneg	Forced Modes [Note2]		Advertised Capabilities	
				Speed	DPLX	Speed	DPLX
0	0000	0000	Off	10	Half	na	na
0	0000	1111	Off	10	Full	na	na
0	1111	0000	Off	100	Half	na	na
0	1111	1111	Off	100	Full	na	na
1	0000	0000	On	na	na	10	Half
1	0000	1111	On	na	na	10	Half/Full
1	1111	0000	On	na	na	10/100	Half/Full [3]
1	1111	1111	On	na	na	10/100	Half

Note 1: The single ANEG pin applies to all four channels. The four Speed and DPLX apply to each individual channel. The pins above are shown for all four channels, but each channel can be individually configured for SPEED and DPLX by appropriately setting the pin for that channel.

Note 2: Forced Modes assume that registers 0 and 4 are at default values.

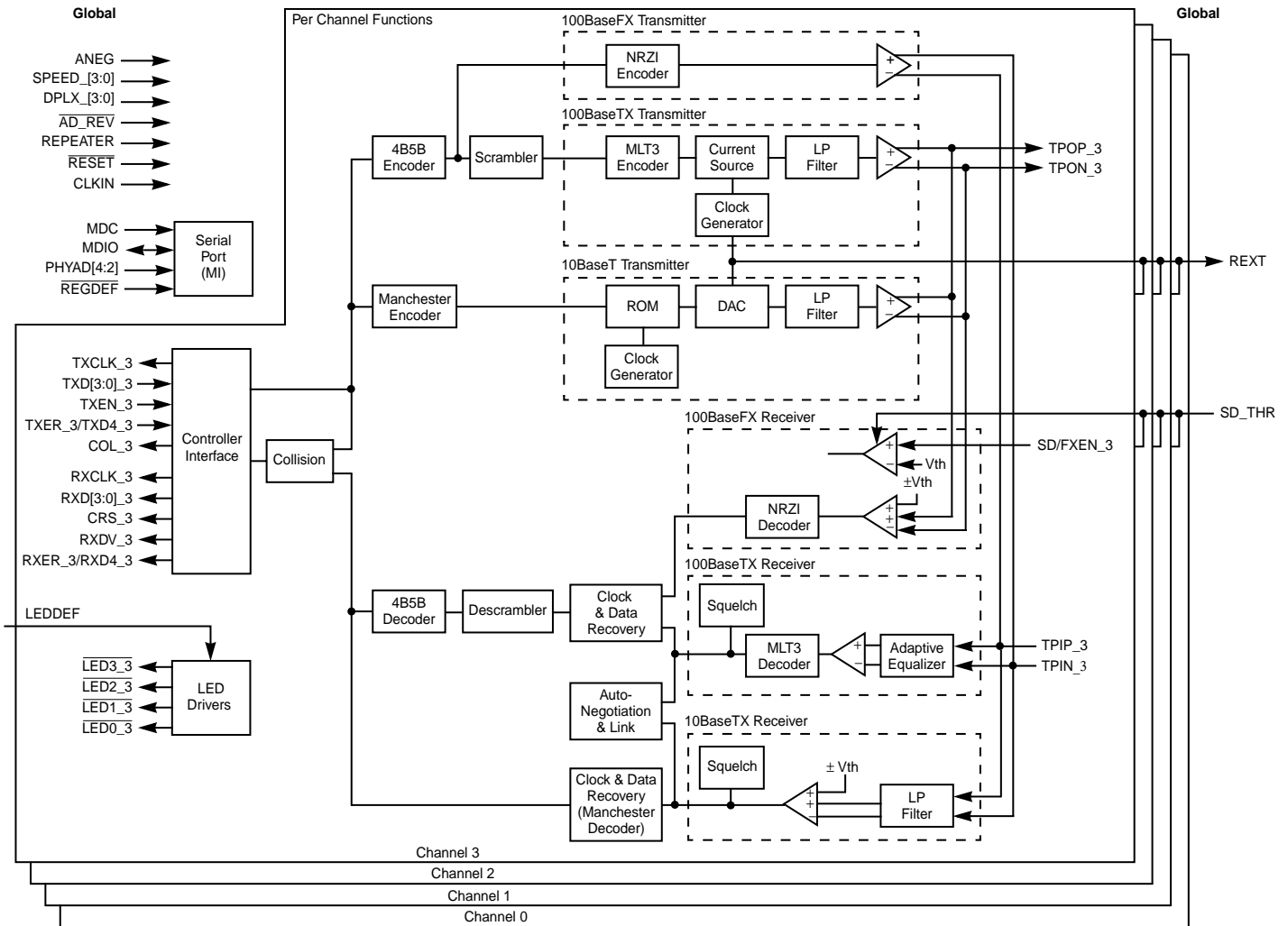
Note 3: the L84225 can be controlled either through the software or through the hardware. If the device needs to be controlled through the software (Registers 0 to 4), then these seven pins (ANEG, Speed[3:0], Duplx[3:0]) have to be tied to their default values of 1, 1111, and 0000, respectively.

Table 2 LED Definitions as per the LEDDEF Pin

Name	Output State Description	LED tied to GND	LED tied to Vdd	LEDDEF
$\overline{\text{LED0}}^1$ (10/100)	0 = 100 Mbps Link Detected 1 = 10 Mbps Link Detected 3-state = No Link	Off On Off	On Off Off	LEDDEF = 1
$\overline{\text{LED1}}$ (Fdx/Hdx)	0 = Full Duplex Mode Detect with Link Pass 1 = Half Duplex Mode Detect with Link Pass 3-state = No Link	Off On Off	On Off Off	
$\overline{\text{LED2}}$ (Col)	0 = Collision Detect 1 = No Collision	Off On	On Off	
$\overline{\text{LED3}}$ (Link + Act)	0 = Link Detect Blink = Link Detect + Activity 1 = No Link Detect or Activity	Off Blink On	On Blink Off	
$\overline{\text{LED0}}^1$ (Link10)	0 = 10 Mbps Link Detected 1 = No 10 Mbps Link Detected	Off On	On Off	LEDDEF = 0
$\overline{\text{LED1}}$ (Fdx/Hdx)	0 = Full Duplex Mode Detect with Link Pass 1 = Half Duplex Mode Detect with Link Pass 3-state = No Link	Off On Off	On Off Off	
$\overline{\text{LED2}}$ (Act)	Blink = Activity Occurred (Stretch pulse to 100 ms) 1 = No Activity	Off On	On Off	
$\overline{\text{LED3}}$ (Link100)	0 = Link100 Detected 1 = No Link100 Detected	Off On	On Off	

1. LED 0 becomes FEF when FX Interface is enabled.
 0 = FEF detected
 1 = No FEF detected

Figure 1 L84225 Block Diagram



2 Functional Description

2.1 General

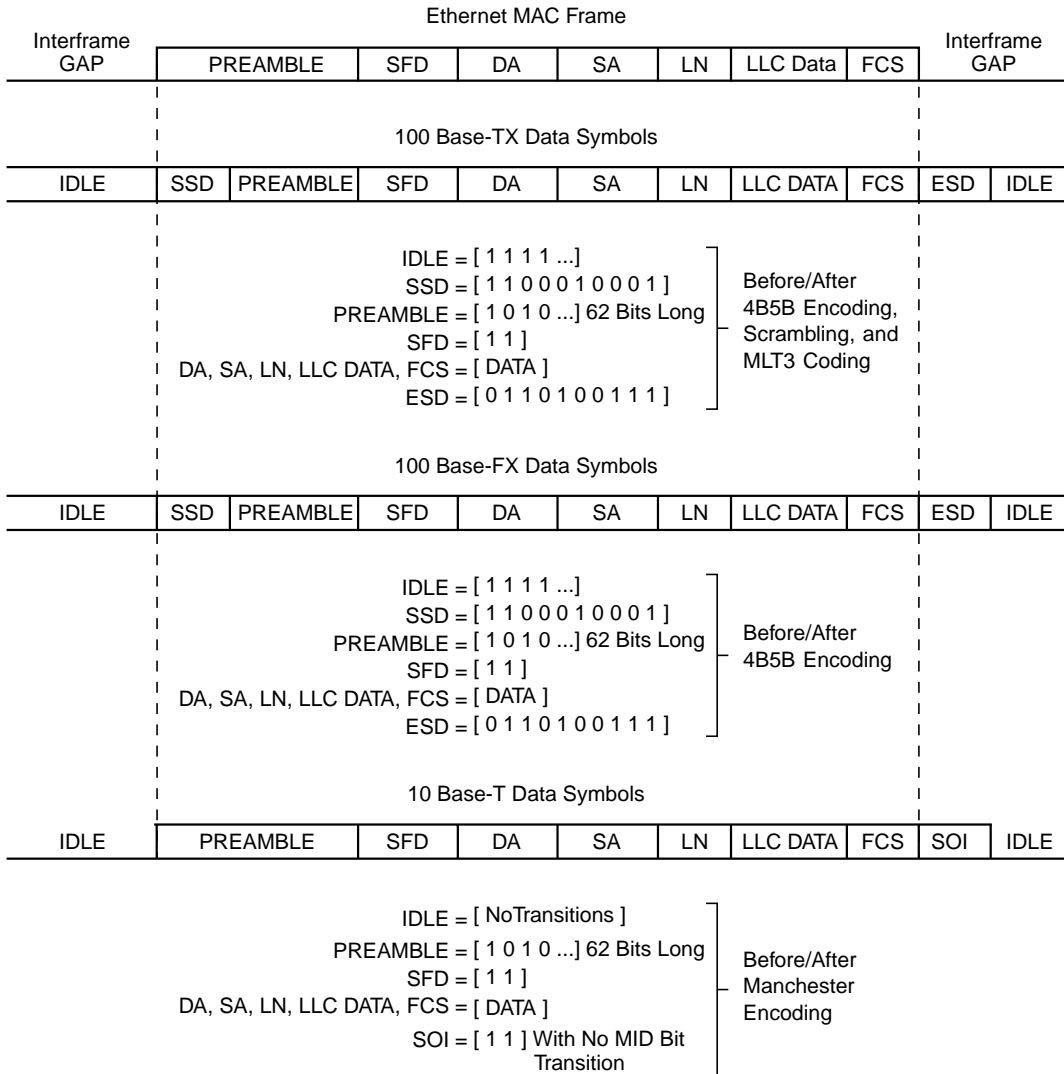
The L84225 is a complete 10/100 Mbps Ethernet Media Interface IC. The L84225 has four separate and independent channels. Each channel has the following main sections: controller interface, encoder, decoder, scrambler, descrambler, clock and data recovery, twisted pair and fiber interface transmitter, twisted pair and fiber interface receiver, and auto negotiation. A Management Interface (MI) serial port, which provides access to eleven registers for each channel, is common to all four channels. [Figure 1](#) shows the L84225 block diagram.

The L84225 can operate as a 100BaseTX or 100BaseFX device (100 Mbps mode) or as a 10BaseT device (10 Mbps mode). The 100 Mbps and 10 Mbps modes differ in data rate, signaling protocol, and allowed wiring as follows:

- The 100 Mbps FX mode uses two fiber connections with 4B5B encoded NRZI 125 MHz binary data through an ECL-type driver to achieve a throughput of 100 Mbps.
- The 100 Mbps TX mode uses two pairs of category 5, or better, UTP or STP twisted pair cable with 4B5B encoded, scrambled, and MLT3 coded (ternary) 125 MHz data to achieve a throughput of 100 Mbps.
- The 10 Mbps mode uses two pairs of category 3, or better, UTP or STP twisted pair cable with Manchester encoded 10 MHz binary data to achieve a 10 Mbps throughput.

The data symbol format on the fiber or twisted pair cable for the 100 and 10 Mbps modes is defined in IEEE 802.3 specifications and shown in [Figure 2](#).

Figure 2 Frame Format



On the transmit side for 100 Mbps operation, data is received on the controller interface from an external Ethernet controller per the format shown in [Figure 3](#). The data is sent to the encoder for formatting. For TX operation, the encoded data is sent to the scrambler. The encoded and scrambled data is then sent to the TX transmitter. The transmitter converts the encoded and scrambled data into MLT3 ternary format. The transmitter then pre-shapes the output and drives the twisted pair cable.

For FX operation, the encoded data is converted to NRZI format, which drives a binary (two-level) signal to the fiber transceiver interface (PMD).

On the receive side for 100BaseTX operation, the TX receiver removes any high frequency noise from the input, equalizes the input signal to compensate for the low pass effects of the cable, and qualifies the data with a squelch algorithm. The TX receiver then converts the data from MLT3 coded twisted pair levels to internal digital levels. The output of the receiver then goes to a clock and data recovery block which recovers a clock from the incoming data, uses the clock to latch in valid data into the device, and converts the data back to NRZ data. The data is then unscrambled and decoded by the 4B5B decoder and descrambler, respectively, and output to an external Ethernet controller by the controller interface. 100Base FX receiver operation is the same as TX except there is no equalizer, descrambler, and has a separate ECL receiver.

10 Mbps operation is similar to the 100 Mbps operation, except:

- There is no scrambler/descrambler.
- The encoder/decoder is Manchester instead of 4B5B.
- The data rate is 10 Mbps instead of 100 Mbps.
- The twisted pair symbol data is two level Manchester instead of ternary MLT3.

The FX interface is disabled for 10 Mbps operation.

The AutoNegotiation block automatically configures each channel for either 100BaseTX or 10BaseT, and either Full or Half Duplex operation. This configuration is based on the capabilities selected for the channel and capabilities detected from the remote device connected to the channel.

The Management Interface (the MI serial port) is a two-pin bidirectional link through which configuration inputs can be set and channel status outputs read.

Each block plus the operating modes are described in more detail in the following sections. Since the L84225 can operate as a 100BaseFX, 100BaseTX, or 10BaseT device, each of the following sections describes the performance in both 100 and 10 Mbps modes.

2.2 Controller Interface

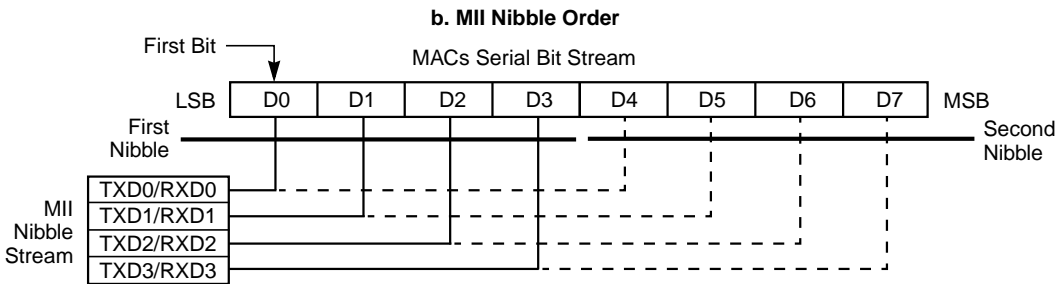
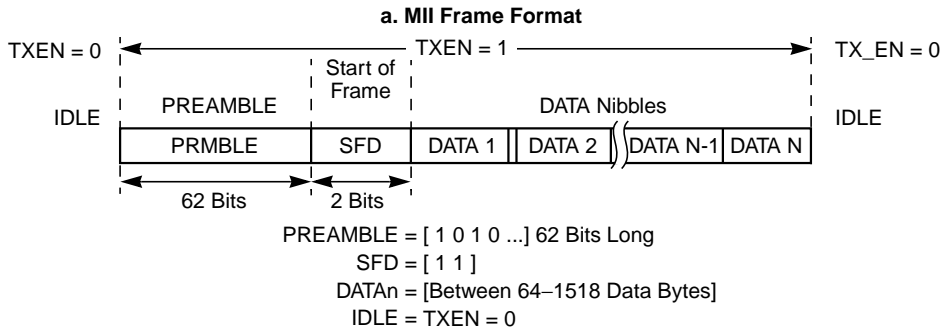
2.2.1 General

The L84225 has three interfaces to an external controller: Media Independent Interface (MII), Reduced pin MII (RMII), and Five Bit Interface (FBI). MII is the default interface. RMII is selected by asserting the RMII_EN pin, a global control (all channels effected). FBI is selected, on a per port basis, by setting the bypass encoder bit in the MI serial port Channel Configuration register (Register 17).

2.2.2 MII - 100 Mbps

The MII is a nibble-wide packet data interface defined in IEEE 802.3. The L84225 meets all MII requirements outlined in IEEE 802.3. The L84225 can directly connect, without external logic, to any Ethernet controller or other device that also complies with the IEEE 802.3 MII specification. The MII frame format is shown in [Figure 3](#).

Figure 3 MII Frame Format



c. Transmit Preamble and SFD Bits

Signals	Bit Value																			
TXD0	X	X	1 ¹	1	1	1	1	1	1	1	1	1	1	1	1	1	1 ²	1	D0 ³	D4 ³
TXD1	X	X	0	0	0	0	0	0	0	0	0	0	0	0	0	0	0	0	D1	D5
TXD2	X	X	1	1	1	1	1	1	1	1	1	1	1	1	1	1	1	1	D2	D6
TXD3	X	X	0	0	0	0	0	0	0	0	0	0	0	0	0	0	0	0	D3	D7
TXEN	0	0	1	1	1	1	1	1	1	1	1	1	1	1	1	1	1	1	1	1

1. 1st preamble nibble transmitted.
2. 1st SFD nibble transmitted.
3. 1st data nibble transmitted.
4. D0 thru D7 are the first 8 bits of the data field.

d. Receive Preamble and SFD Bits

Signals	Bit Value																			
RXD0	X	X	1 ¹	1	1	1	1	1	1	1	1	1	1	1	1	1	1 ²	1	D0 ³	D4 ³
RXD1	X	X	0	0	0	0	0	0	0	0	0	0	0	0	0	0	0	0	D1	D5
RXD2	X	X	1	1	1	1	1	1	1	1	1	1	1	1	1	1	1	1	D2	D6
RXD3	X	X	0	0	0	0	0	0	0	0	0	0	0	0	0	0	0	0	D3	D7
RXDV	0	0	1	1	1	1	1	1	1	1	1	1	1	1	1	1	1	1	1	1

1. 1st preamble nibble received. Depending on mode, device may eliminate either all or some of the preamble nibbles, up to 1st SFD nibble.
2. 1st SFD nibble received.
3. 1st data nibble received.
4. D0 thru D7 are the first 8 bits of the data field.

The MII consists of four transmit data bits (TXD[3:0]), transmit clock (TXCLK), transmit enable (TXEN), transmit error (TXER), four receive data bits (RXD[3:0]), receive clock (RXCLK), carrier sense (CRS), receive data valid (RXDV), receive data error (RXER), and collision (COL). The transmit clock (TXCLK) is a common signal for all four channels. All other signals are separate for each channel. The transmit and receive clocks operate at 25 MHz in 100 Mbps mode.

On the transmit side, the TXCLK output runs continuously at 25 MHz. When no data is to be transmitted, TXEN must be deasserted. While TXEN is deasserted, TXER and TXD[3:0] are ignored and no data is clocked into the device. When TXEN is asserted on the rising edge of TXCLK, data on TXD[3:0] is clocked into the device on rising edges of the TXCLK output clock. TXD[3:0] input data is nibble wide packet data whose format is specified in IEEE 802.3 and shown in [Figure 3](#). When all packet data has been latched into the device, TXEN must be deasserted on the rising edge of TXCLK.

TXER is also clocked in on rising edges of the TXCLK clock. TXER is a transmit error signal which, when asserted, will substitute an error nibble in place of the normal data nibble that was clocked in on the TXD[3:0] nibble at the same time as the TXER assertion. The error nibble is the /H/ symbol, as defined in IEEE 802.3 and shown in [Table 3](#).

Since CLKIN (input clock) generates TXCLK (output clock), TXD[3:0], TXEN, and TXER are also clocked in on the rising edges of CLKIN.

On the receive side, as long as a valid data packet is not detected, CRS and RXDV are deasserted and RXD[3:0] is held low. When the start of packet is detected, CRS is asserted on the falling edge of RXCLK. The assertion of RXDV indicates that valid data is available on RXD[3:0]. Data may be externally latched using the rising edge of RXCLK. The RXD[3:0] data has the same frame structure as the TXD[3:0] data, specified in IEEE 802.3 and shown in [Figure 3](#). When the end of packet is detected, CRS and RXDV are deasserted, and RXD[3:0] is held low. CRS and RXDV also stay deasserted if the channel is in Link Fail state.

RXER is a receive error output that is asserted when certain errors are detected on a data nibble. RXER is asserted on the falling edge of RXCLK for the duration of the RXCLK clock cycle during which the nibble containing the error is output on RXD[3:0].

The collision output, COL, is asserted whenever the collision condition is detected.

2.2.3 MII - 10Mbps

10 Mbps operation is identical to the 100 Mbps operation, except:

- TXCLK and RXCLK clock frequency is 2.5 MHz.
- TXER is ignored.
- RXER is disabled and always held low.
- Receive operation is modified as follows. On the receive side, when the squelch circuit determines that invalid data is present on the TP (Twisted Pair) inputs, the receiver is idle. During idle, RXCLK follows TXCLK, RXD[3:0] is held low, and CRS and RXDV are deasserted. When a start of packet is detected on the TP receive inputs, CRS is asserted and the clock recovery process starts on the incoming TP input data. After the receive clock has been recovered from the data, the RXCLK is switched over to the recovered clock output and the data valid signal RXDV is asserted on a falling edge of RXCLK. Once RXDV is asserted, valid data is clocked out on RXD[3:0] on falling edges of the RXCLK clock. The RXD[3:0] data has the same packet structure as the TXD[3:0] data and is formatted as specified in IEEE 802.3 and shown in [Figure 3](#). When the end of packet is detected, CRS and RXDV are deasserted. CRS and RXDV also stay deasserted as long as the channel is in the Link Fail State.

2.2.4 RMII - 100 Mbps

The RMII is a reduced pin count version of the MII defined by an industry group, the RMII Consortium. The RMII is a two-bit-wide packet data interface that operates at 50 Mhz. The L84225 meets all the RMII requirements outlined in the RMII Consortium specifications and can directly connect to any Ethernet controller that also complies with the RMII specifications.

The RMII is similar to the MII, except:

- The data path is two bits wide instead of four.
- Transmit and receive data is passed over TXD[1:0] and RXD[1:0] pins, respectively.

- The CLKIN clock frequency must be 50 MHz instead of 25 MHz.
- All timing for both transmit and receive is referenced to a single clock on CLKIN instead of TXCLK for transmit and RXCLK for receive.
- An elastic buffer is present in the receive data path to account for any difference between the CLKIN and receive data frequencies. The elastic buffer is 32 bits in length. Input data from the receiver fills the buffer to a predetermined threshold level before data is passed to the RMII outputs. This threshold level can be configured to either 4 bits or 16 bits by appropriately setting the RMII threshold select bit in the MI serial port Global Configuration register.
- The MII RXDV and CRS inputs are combined into one signal that is outputted on the CRS pin. CRS is asserted active high when incoming packet data is detected on the receive inputs. It stays asserted high until packet data is no longer detected, and it toggles at a 25 MHz rate (low for first di-bit of MII nibble, high for second, etc.) from the end of the packet data detection until end of valid data transfer from the elastic buffer. During this toggling interval, valid data is still being output on RXD[1:0]. CRS is finally deasserted when all data has been output from the internal elastic buffer on RXD[1:0].
- RXD[1:0]=00 from start of CRS until valid data is ready to be output.
- TXEN to CRS loopback is disabled.
- Any packet that contains an error will assert RXER and substitute RXD[1:0]=10 for all the data bits from the error detect point until the end of packet.

2.2.5 RMII - 10 Mbps

10 Mbps RMII operation is identical to 100 Mbps RMII operation, except:

- The CLKIN frequency remains at 50 Mhz (same as 100 Mbps operation).
- Each data di-bit must be input on TXD[1:0] for ten consecutive CLKIN cycles.
- Each data di-bit will be output on RXD[1:0] for ten consecutive CLKIN cycles.

2.2.6 FBI - 100 Mbps

The Five Bit Interface (FBI), or Symbol Interface, is a five bit wide interface produced when the 4B5B encoder/ decoder is bypassed. The FBI is primarily used for repeaters or Ethernet controllers that have integrated encoder/decoders.

The FBI is identical to the MII, except:

- The FBI data path is five bits wide, not nibble wide like the MII.
- TXER pin is changed to be the fifth transmit data bit, TXD4.
- RXER pin is changed to be the fifth receive data bit, RXD4.
- CRS is asserted as long as the device is in the Link Pass state (CRS no longer asserted/deasserted at beginning/end of packet).
- COL is not valid.
- RXDV is not valid.
- TXEN is ignored.

2.2.7 FBI - 10 Mbps

The FBI is not available in 10 Mbps mode.

2.2.8 Selection of MII, RMII, or FBI

MII is the default interface to the MAC controller. RMII is selected by asserting the RMII_EN pin, a global control.

The FBI is automatically enabled when the 4B5B encoder/ decoder is bypassed. Bypassing the encoder/decoder passes the 5B symbols between the receiver/transmitter directly to the FBI without any alteration or substitutions. The 4B5B encoder/decoder can be bypassed by setting the bypass encoder bit in the MI serial port Channel Configuration register.

When the FBI is enabled, it may also be desirable to bypass the scrambler/descrambler and disable the internal CRS loopback function. The scrambler/ descrambler can be bypassed by setting the bypass scrambler bit in the MI serial port Channel Configuration register. The internal CRS loopback can be disabled by setting the TXEN to CRS loopback disable bit in the MI serial port Channel Configuration register.

2.2.9 MII Disable

The MII and FBI inputs and outputs can be disabled by setting the MII disable bit in the MI serial port Control register. When the MII is disabled, the inputs are ignored, the outputs are placed in high impedance state, and the TP output is high impedance.

2.2.10 TXEN to CRS Loopback Disable

The internal TXEN to CRS loopback can be disabled by appropriately setting the TXEN to CRS loopback disable bit in the MI serial port Channel Configuration register. TXEN to CRS loopback is disabled in RMII mode.

2.3 Encoder

2.3.1 4B5B Encoder - 100 Mbps

100BaseTX and 100BaseFX require that the data be 4B5B encoded. 4B5B coding converts the 4-bit data nibbles into 5-bit data words. The mapping of the 4B nibbles to the 5B code words is specified in IEEE 802.3 and shown in [Table 3](#). The 4B5B encoder on the L84225 takes 4B nibbles from the controller interface, converts them into 5B words according to [Table 3](#), and sends the 5B words to the scrambler. The 4B5B encoder also substitutes the first eight bits of the preamble with the SSD delimiters (/J/K/ symbols) and adds an ESD delimiter (/T/R/ symbols) to the end of each packet, as defined in IEEE 802.3 and shown in [Figure 2](#). The 4B5B encoder also fills the period between packets, called the idle period, with a continuous stream of idle symbols, as shown in [Figure 2](#).

Table 3 4B/5B Symbol Mapping

Symbol Name	Description	5B Code	4B Code
0	Data 0	11110	0000
1	Data 1	01001	0001
2	Data 2	10100	0010
3	Data 3	10101	0011
4	Data 4	01010	0100

Table 3 4B/5B Symbol Mapping (Cont.)

Symbol Name	Description	5B Code	4B Code
5	Data 5	01011	0101
6	Data 6	01110	0110
7	Data 7	01111	0111
8	Data 8	10010	1000
9	Data 9	10011	1001
A	Data A	10110	1010
B	Data B	10111	1011
C	Data C	11010	1100
D	Data D	11011	1101
E	Data E	11100	1110
F	Data F	11101	1111
I	Idle	11111	0000
J	SSD #1	11000	0101
K	SSD #2	10001	0101
T	ESD #1	01101	0000
R	ESD #2	00111	0000
H	Halt	00100	Undefined
---	Invalid codes	All others ¹	0000 ¹

1. These 5B codes are not used. For decoder, these 5B codes are decoded to 4B 0000. For encoder, 4B 0000 is encoded to 5B 11110, as shown in symbol Data 0.

2.3.2 Manchester Encoder - 10 Mbps

The Manchester encoding process combines clock and NRZ data such that the first half of the data bit contains the complement of the data, and the second half of the data bit contains the true data, as specified in IEEE 802.3. This guarantees that a transition always occurs in the middle of the bit cell. The L84225 Manchester encoder converts the 10 Mbps NRZ data from the controller interface into a single data stream for the TP transmitter and adds a start of idle pulse (SOI) at the end of the packet as specified in IEEE 802.3 and shown in [Figure 2](#). The Manchester encoding process is only done on actual packet data, and the idle period between packets is not Manchester encoded, but filled with link pulses.

2.3.3 Encoder Bypass

The 4B5B encoder can be bypassed by setting the bypass encoder/decoder bit in the MI serial port Channel Configuration register. When this bit is set to bypass the encoder/decoder, 5B code words are passed directly from the controller interface to the scrambler without any alterations. Setting this bit automatically places the device in the FBI mode, as described in [Section 2.2, “Controller Interface,” page 16](#).

2.4 Decoder

2.4.1 4B5B Decoder - 100 Mbps

Since the FX or TX input data is 4B5B encoded on the transmit side, it must also be decoded by the 4B5B decoder on the receive side. The mapping of the 5B nibbles to the 4B code words is specified in IEEE 802.3 and shown in [Table 3](#). The L84225 4B5B decoder takes the 5B code words from the descrambler, converts them into 4B nibbles per [Table 3](#), and sends the 4B nibbles to the controller interface. The 4B5B decoder also strips off the SSD delimiter (/J/K/ symbols) and replaces them with two 4B Data 5 nibbles (/5/ symbol), and strips off the ESD delimiter (/T/R/ symbols) and replaces it with two 4B Data 0 nibbles (/I/ symbol), per IEEE 802.3 specifications and shown in [Figure 2](#).

The 4B5B decoder detects SSD, ESD and, codeword errors in the incoming data stream as specified in IEEE 802.3. These errors are indicated by asserting RXER output while the errors are being transmitted across RXD[3:0], and they are also indicated by setting SSD,

ESD, and codeword error bits in the MI serial port Channel Status Output register.

2.4.2 Manchester Decoder - 10 Mbps

In Manchester coded data, the first half of the data bit contains the complement of the data, and the second half of the data bit contains the true data. The L84225 Manchester decoder converts the single data stream from the TP receiver into NRZ data for the controller interface by decoding the data and stripping off the SOI pulse. Since the clock and data recovery block has already separated the clock and data from the TP receiver, the Manchester decoding process to NRZ data is inherently performed by that block.

2.4.3 Decoder Bypass

The 4B5B decoder can be bypassed by setting the bypass encoder/decoder bit in the MI serial port Channel Configuration register. When this bit is set to bypass the encoder/decoder:

- 5B code words are passed directly to the controller interface from the descrambler without any alterations.
- CRS is asserted whenever the device is in the Link Pass state.

2.5 Clock and Data Recovery

2.5.1 Clock Recovery - 100 Mbps

Clock recovery is done with a PLL. If there is no valid data present on the receive inputs, the PLL is locked to the 25 MHz TXCLK. When valid data is detected on the receive inputs with the squelch circuit and when the adaptive equalizer has settled, the PLL input is switched to the incoming data stream. The PLL then recovers a clock by locking onto the transitions of the incoming signal. The recovered clock frequency is a 25 MHz nibble clock, and that clock is output as the controller interface signal RXCLK.

For FX operation, when the SD pin is asserted, the PLL input is switched to the incoming data on the input.

2.5.2 Data Recovery - 100 Mbps

Data recovery is performed by latching in data from the receive inputs with the recovered clock extracted by the PLL. The data is then converted from a single bit stream into a nibble wide one by latching in valid data from the receiver with the recovered clock extracted by the PLL. The data is then converted from a single bit stream into a nibble-wide data word.

2.5.3 Clock Recovery - 10 Mbps

The clock recovery process for 10 Mbps mode is identical to the 100 Mbps mode, except:

- The recovered clock frequency is a 2.5 MHz nibble clock.
- The PLL is switched from TXCLK to the TP input when the squelch indicates valid data.
- The PLL locks onto the preamble signal in less than 12 transitions (bit times).
- Some of the preamble data symbols are lost while the PLL is locking onto the preamble. However, the data receiver block recovers enough preamble symbols to pass at least 6 nibbles of preamble to the controller interface, as shown in [Figure 3](#).

2.5.4 Data Recovery

The data recovery process for 10 Mbps mode is identical to the 100 Mbps mode, except, the recovered clock frequency is a 2.5 MHz nibble clock. As mentioned in [Section 2.4.2, "Manchester Decoder - 10 Mbps," page 25](#), the data recovery process inherently performs decoding of Manchester encoded data from the TP inputs.

2.6 Scrambler

2.6.1 100 Mbps

100BaseTX requires scrambling to reduce the radiated emissions on the twisted pair. The L84225 scrambler takes the encoded data from the 4B5B encoder, scrambles it per the IEEE 802.3 specifications, and sends it to the TP transmitter. The scrambler circuitry of the L84225 is designed

so that none of the individual scrambler sections on-chip will be synchronous with the others to minimize EMI issues.

2.6.2 10 Mbps

A scrambler is not used in 10 Mbps mode.

2.6.3 Scrambler Bypass

The scrambler can be bypassed by setting the bypass scrambler/descrambler bit in the MI serial port Channel Configuration register. When this bit is set, the 5B data bypasses the scrambler and goes directly from the 4B5B encoder to the twisted pair transmitter.

2.7 Descrambler

2.7.1 100 Mbps

The L84225 descrambler takes the scrambled data from the data recovery block, descrambles it per the IEEE 802.3 specifications, aligns the data on the correct 5B word boundaries, and sends it to the 4B5B decoder.

The algorithm for synchronization of the descrambler is the same as the algorithm outlined in the IEEE 802.3 specification. Once the descrambler is synchronized, it will maintain synchronization as long as enough descrambled idle pattern 1's are detected within a given interval. To stay in synchronization, the descrambler needs to detect at least 25 consecutive descrambled idle pattern 1's in a 1 ms interval. If 25 consecutive descrambled idle pattern 1's are not detected within the 1 ms interval, the descrambler goes out of synchronization and restarts the synchronization process.

If the descrambler is in the unsynchronized state, the descrambler loss of synchronization detect bit is set in the MI serial port Channel Status Output register to indicate this condition. Once this bit is set, then it will stay set until the descrambler achieves synchronization.

A descrambler is not used for FX operation.

2.7.2 10 Mbps

A descrambler is not used in 10 Mbps mode.

2.7.3 Descrambler Bypass

The descrambler can be bypassed by setting the bypass scrambler/descrambler bit in the MI serial port Channel Configuration register. When this bit is set, the data bypasses the descrambler and goes directly from the TP receiver to the 4B5B decoder.

2.8 Twisted Pair Transmitter

2.8.1 100 Mbps

The TP transmitter consists of an MLT3 encoder, waveform generator, and line driver.

The MLT3 encoder converts the NRZI data from the scrambler into a three level code required by IEEE 802.3. MLT3 coding uses three levels and converts 1's to transitions between the three levels, and converts 0's to no transitions or changes in level.

The purpose of the waveform generator is to shape the transmit output pulse. The waveform generator takes the MLT3 three level encoded waveform and uses an array of switched current sources to control the shape of the twisted pair output signal in order to meet IEEE 802.3 requirements. The output of the switched current sources then goes through a low pass filter in order to "smooth" the output and remove any high frequency components. In this way, the waveform generator pre-shapes the output waveform transmitted onto the twisted pair cable to meet the pulse template requirements outlined in IEEE 802.3. The waveform generator eliminates the need for any external filters on the TP transmit output. The line driver converts the shaped and smoothed waveform to a current output that can drive 100 meters of category 5 unshielded twisted pair cable or 150 ohm shielded twisted pair cable.

2.8.2 10 Mbps

The TP transmitter operation in 10 Mbps mode is much different from the 100 Mbps transmitter. Even so, the transmitter still consists of a waveform generator and line driver.

The purpose of the waveform generator is to shape the output transmit pulse. The waveform generator consists of a ROM, DAC, clock generator, and filter. The DAC generates a stair-stepped representation of the desired output waveform. The stairstepped DAC output then goes through a low pass filter in order to "smooth" the DAC output and remove any high frequency components. The DAC values are determined from the ROM output; the ROM outputs are chosen to shape the pulse to the desired template and are clocked into the DAC at high speed by the clock generator. In this way, the waveform generator pre-shapes the output waveform to be transmitted onto the twisted pair cable to meet the pulse template requirements outlined in IEEE 802.3 Clause 14 and also shown in [Figure 4](#). The waveshaper replaces and eliminates external filters on the TP transmit output.

The line driver converts the shaped and smoothed waveform to a current output that can drive 100 meters of category 3/4/5 100 Ohm unshielded twisted pair cable or 150 Ohm shielded twisted pair cable, without any external filters. During the idle period, no output signal is transmitted on the TP outputs (except link pulse).

2.9 Twisted Pair Receiver

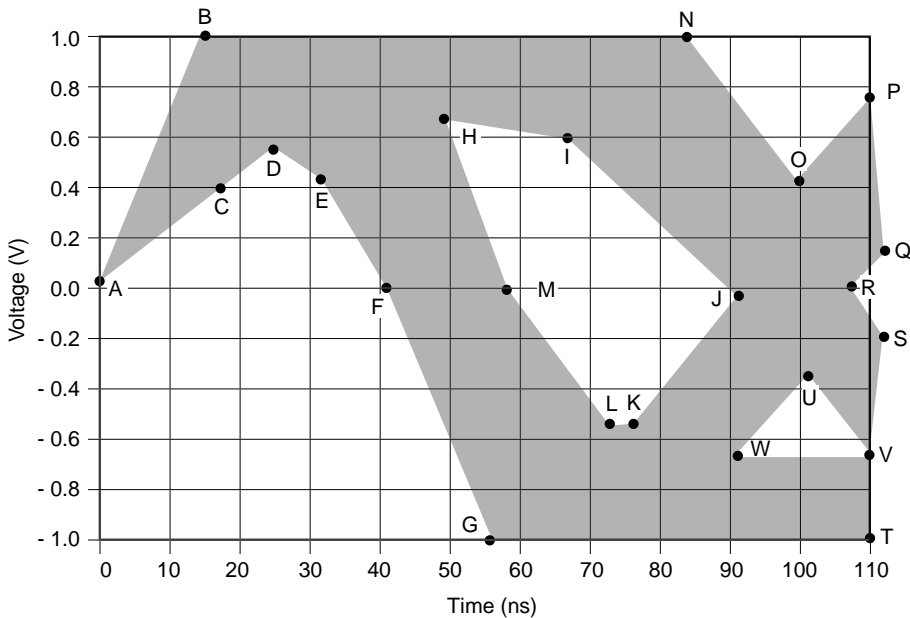
2.9.1 Receiver - 100 Mbps

The TP receiver detects input signals from the twisted pair input and converts it to a digital data bit stream ready for clock and data recovery. The receiver can reliably detect data from a 100Base-TX compliant transmitter that has been passed through 0-100 meters of 100-Ohm category 5 UTP.

The 100 Mbps receiver consists of an adaptive equalizer, baseline wander correction circuit, comparators, and MLT-3 decoder. The TP inputs first go to an adaptive equalizer. The adaptive equalizer compensates for the low pass characteristic of the cable, and it has the ability to adapt and compensate for 0-100 meters of category 5, 100 Ohm UTP. The baseline wander correction circuit restores the DC component of the input waveform that was removed by external transformers. The comparators convert the equalized signal back to digital levels and are used to qualify the data with the squelch circuit. The MLT-3 decoder takes the three level MLT-3 digital data from the

comparators and converts it back to normal digital data to be used for clock and data recovery.

Figure 4 TP Output Voltage Template



Reference	Time (ns) Internal MAU	Voltage (V)	Reference	Time (ns) Internal MAU	Voltage (V)
A	0	0	M	61	0
B	15	1.0	N	85	1.0
C	15	0.4	O	100	0.4
D	25	0.55	P	110	0.75
E	32	0.45	Q	111	0.15
F	39	0	R	111	0
G	57	-1.0	S	111	-0.15
H	48	0.7	T	110	-1.0
I	67	0.6	U	100	-0.3
J	89	0	V	110	-0.7
K	74	-0.55	W	90	-0.7
L	73	-0.55			

2.9.2 Receiver - 10 Mbps

The 10 Mbps mode receiver is much simpler than the 100 Mbps mode receiver and is identical to the 100 Mbps receiver except:

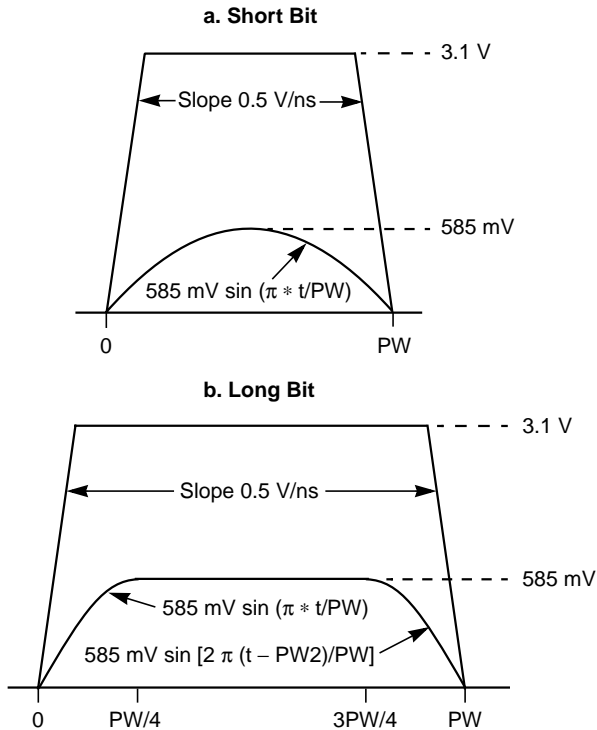
- The adaptive equalizer is disabled and bypassed.
- The baseline wander correction circuit is disabled.
- The 10 Mbps receiver is able to detect input signals from the twisted pair cable that are within the template specified in IEEE 802.3 Clause 14 and shown in [Figure 5](#).
- The output of the squelch comparator is used for squelch, link pulse detect, SOI detect, reverse polarity detect.
- The data comparator is a zero crossing comparator whose output is used for clock and data recovery.

2.9.3 Squelch - 100 Mbps

The squelch block determines whether the input contains valid data. The 100 Mbps TX squelch is one of the criteria used to determine link integrity. The squelch comparators compare the TX inputs against fixed positive and negative thresholds, called squelch levels.

The output from the squelch comparator goes to a digital squelch circuit, which determines whether the receive input data on that channel is valid. If the data is invalid, the receiver is in the squelched state. If the input voltage exceeds the squelch levels at least four times with alternating polarity within a 10 us interval, the data is considered to be valid by the squelch circuit and the receiver now enters into the unsquelch state.

Figure 5 TP Input Voltage Template - 10 Mbps



In the unsquelch state, the receive threshold level is reduced by approximately 30% for noise immunity reasons and is called the unsquelch level. When the receiver is in the unsquelch state the input signal is considered valid.

The device stays in the unsquelch state until loss of data is detected. Loss of data is detected if no alternating polarity unsquelch transitions are detected during any 10 μ s interval. When the loss of data is detected, the receive squelch level is re-established.

2.9.4 Squelch - 10 Mbps

The TP squelch algorithm for 10 Mbps mode is identical to the 100 Mbps mode, except:

- The 10 Mbps squelch algorithm is not used for link integrity, but to sense the beginning of a packet.

- The receiver goes into the unsquelch state if the input voltage exceeds the squelch levels for three bit times with alternating polarity within a 50-250 ns interval.
- The receiver goes into the squelch state when SOI is detected.
- Unsquelch detection has no affect on link integrity, link pulses are used for that in 10 Mbps mode.
- Start of packet is determined when the receiver goes into the unsquelch state and CRS is asserted.
- The receiver meets the squelch requirements defined in IEEE 802.3 Clause 14.

2.9.5 Receive Level Adjust

The receiver squelch and unsquelch levels can be lowered by 4.5 dB by setting the receive level adjust bit in the MI serial port Channel Configuration register. By setting this bit, the device can support cable lengths exceeding 100 meters.

2.10 Fiber Interface

2.10.1 General

The Fiber Interface implements the 100BaseFX function defined in IEEE 802.3.

The Fiber Interface consists of three signals: (1) a differential PECL data output (FXOP/FXON), (2) a differential PECL data input (FXIP/FXIN), and (3) a PECL signal detect (SD/FXEN).

The Fiber Interface section consists of four blocks: (1) transmitter, (2) receiver, (3) signal detect, and (4) far end fault.

The Fiber Interface can be independently selected for each channel with the SD/FXEN_[3:0] pins.

The Fiber Interface is disabled in 10Mbps mode. AutoNegotiation and the scrambler/descrambler are disabled when the Fiber Interface is enabled.

The Fiber Interface meets all IEEE 802.3 requirements.

2.10.2 Transmitter

The FX transmitter converts data from the 4B5B encoder into binary NRZI data and outputs the data onto the FXOP/FXON pins for each channel. The output driver is a differential current source that will drive a 100-ohm load to ECL levels. The FXOP/FXON pins can directly drive an external fiber optic transceiver. The FX transmitter meets all the requirements defined in IEEE 802.3.

The FX transmit output current level is derived from an internal reference voltage and the external resistor on REXT pin.

2.10.3 Receiver

The FX receiver (1) converts the differential ECL inputs on the FXIP/FXIN pins for each channel to a digital bit stream, (2) validates the data on FXIP/FXIN with the SD/ FXEN input pin for each channel, and (3) enable/disables the Fiber Interface with the SD/FXEN pin for each channel. The FX receiver meets all requirements defined in IEEE 802.3.

The input to the FXIP/FXIN pins can be directly driven from a fiber optic transceiver and first goes to a comparator. The comparator compares the input waveform against the internal ECL threshold levels to produce a low jitter serial bit stream with internal logic levels. The data from the comparator output is then passed to the clock and data recovery block provided the signal detect input, SD/FXEN, is asserted. The signal detect function is described in the next section.

2.10.4 Signal Detect

The FX receiver has a signal detect input pin, SD/FXEN, for each channel which indicates whether the incoming data on FXIP/FXIN is valid or not for that channel. The SD/FXEN pin can be driven directly from an external fiber optic transceiver and meets all requirements defined in the IEEE 802.3 specifications.

The SD/FXEN input goes directly to a comparator. The comparator compares the input waveform against the internal ECL threshold level to produce a digital signal with internal logic levels. The output of the signal detect comparator then goes to the link integrity and squelch blocks. If the signal detect input is asserted, the channel is placed in the Link Pass state and the input data on FXIP/FXIN is determined to be valid. If the

signal detect input is deasserted, the channel is placed in the Link Fail state and the input data on FXIP/FXIN is determined to be invalid.

The SD_THR pin adjusts the ECL trip point of the SD/ FXEN input. When the SD_THR pin is tied to a voltage between GND and GND+0.45V, the trip point of the SD ECL input buffer is internally set to VCC-1.3V. When SD_THR pin is set to a voltage greater than GND+0.85v, the trip point of the SD SD/FXEN ECL input buffer is set to the voltage that is applied to the SD_THR pin. The trip level for the SD/FXEN input buffer must be set to VCC- 1.3V. Having external control of the SD/FXEN buffer trip level with the SD_THR pin allows this trip level to be referenced to an external supply which facilitates connection to both 3.3V and 5V external fiber optic transceiver. If the device is to be connected to a 3.3V external fiber optic transceiver, then SD_THR should be tied to GND. If the device is to be connected to a 5V external fiber optic transceiver, then SD_THR needs to be tied to VCC-1.3V, and this can be done so with an external resistor divider. Refer to [Section 4, "Application Information," page 70](#), for more details on connections to external fiber optic transceivers.

2.10.5 Fiber Interface Disable

The Fiber Interface will be disabled if the SD/FXEN pin is tied to GND. Disabling the Fiber Interface automatically enables the TP interface.

2.10.6 Far End Fault

Each channel has the Far End Fault capability, referred to as FEF, and defined in IEEE 802.3 specifications. FEF is a method by which the Fiber Interface can signal a fault to a remote device by transmitting an idle pattern consisting of 84 '1's followed by a single '0' repeatedly (idle period normally has all 1's). FEF was specified in IEEE 802.3 because FX lacks the AutoNegotiation capability to signal a remote fault to another station.

FEF can only be made operational only when the Fiber Interface is enabled. In the device default state with the Fiber Interface enabled, FEF is disabled, but it can be enabled by setting the FEF select bit in the MI serial port Global Configuration register. When FEF is enabled, (1) a '0' is transmitted after each group of 84 '1's repeatedly during idle if the SD/FXEN pin is deasserted, and (2) if an FEF stream is detected by the receiver for 3 consecutive intervals, the remote fault bit is set in the MI serial port Status register and the LED0 output pin is asserted.

2.11 Collision

2.11.1 100 Mbps

Collision occurs whenever transmit and receive occur simultaneously while the device is in Half Duplex. Collision is sensed whenever there is simultaneous transmission (packet transmission on TPOP/N) and reception (non-idle symbols detected on receive input). When collision is detected:

- The COL output is asserted.
- TP data continues to be transmitted on twisted pair outputs.
- TP data continues to be received on twisted pair inputs.
- Internal CRS loopback is disabled.

Once collision starts, CRS is asserted and stays asserted until the receive and transmit packets that caused the collision are terminated.

The collision function is disabled if the device is in the Full Duplex mode, is in the Link Fail state, or if the device is in the diagnostic loopback mode.

2.11.2 10 Mbps

Collision in 10 Mbps mode is identical to the 100 Mbps mode, except:

- Reception is determined by the 10 Mbps squelch criteria.
- RXD[3:0] outputs are forced to all 0's.
- Collision is asserted when the SQE test is performed.
- Collision is asserted when the jabber condition has been detected.

2.11.3 Collision Test

The controller interface collision signal, COL, can be tested by setting the collision test register bit in the MI serial port Control register. When this bit is set, TXEN is looped back onto COL and the TP outputs are disabled.

2.11.4 Collision Indication

Collision can be programmed to appear on the $\overline{\text{LED2}}$ pin by appropriately setting the LED definition bits in the MI serial port Global Configuration register. [Section 2.23, “LED Drivers,” page 48](#), describes the programmable LED definition bit settings. When the $\overline{\text{LED2}}$ pin is programmed to be a collision detect output, the pin is asserted low for 100 ms every time a collision occurs.

2.12 Start of Packet

2.12.1 100 Mbps

Start of packet for 100 Mbps mode is indicated by a unique Start of Stream Delimiter (SSD). The SSD pattern consists of the two /J/K/ 5B symbols inserted at the beginning of the packet in place of the first two preamble symbols, as defined in IEEE 802.3 Clause 24 and shown in [Table 3](#) and [Figure 2](#).

The transmit SSD is generated by the 4B5B encoder and the /J/K/ symbols are inserted by the 4B5B encoder at the beginning of the transmit data packet in place of the first two 5B symbols of the preamble, as shown in [Figure 2](#).

The receive pattern is detected by the 4B5B decoder by examining groups of 10 consecutive code bits (two 5B words) from the descrambler. Between packets, the receiver will be detecting the idle pattern, which is 5B /I/ symbols. While in the idle state, CRS and RXDV are deasserted.

If the receiver is in the idle state and 10 consecutive code bits from the receiver consist of the /J/K/ symbols, the start of packet is detected, data reception is begun, CRS and RXDV are asserted, and /5/5/ symbols are substituted in place of the /J/K/ symbols.

If the receiver is in the idle state and 10 consecutive code bits from the receiver consist of a pattern that is neither /I/ I/ nor /J/K/ symbols but contains at least 2 non-contiguous 0's, then activity is detected but the start of packet is considered to be faulty and a False Carrier Indication (also referred to as bad SSD) is signaled to the controller interface. When False Carrier is detected CRS is asserted, RXDV remains deasserted, $\text{RXD}[3:0]=1110$ while RXER is asserted, and the bad SSD bit is set in the MI serial port Channel Status Output register. Once a False Carrier

Event is detected, the idle pattern (two /I/I/ symbols) must be detected before any new SSD's can be sensed.

If the receiver is in the idle state and 10 consecutive code bits from the receiver consist of a pattern that is neither /I/I/ nor /J/K/ symbols but does not contain at least 2 non contiguous 0's, the data is ignored and the receiver stays in the idle state.

2.12.2 10 Mbps

Since the idle period in 10 Mbps mode is defined to be no data on the TP inputs, then the start of packet for 10 Mbps mode is detected when valid data is detected by the TP squelch circuit. When start of packet is detected, CRS is asserted as described in [Section 2.2, "Controller Interface," page 16](#). Refer to [Section 2.9.4, "Squelch - 10 Mbps," page 32](#), for the algorithm for valid data detection.

2.13 End of Packet

2.13.1 100 Mbps

End of packet for 100 Mbps mode is indicated by an End of Stream Delimiter (referred to as ESD). The ESD pattern consists of the two /T/R/ 4B5B symbols inserted after the end of the packet, as defined in IEEE 802.3 Clause 24 and shown in [Table 3](#) and [Figure 2](#).

The transmit ESD is generated by the 4B5B encoder and the /T/R/ symbols are inserted by the 4B5B encoder after the end of the transmit data packet, as shown in [Figure 2](#).

The receive ESD pattern is detected by the 4B5B decoder by examining groups of 10 consecutive code bits (two 5B words) from the descrambler during valid packet reception to determine whether there is an ESD.

If the 10 consecutive code bits from the receiver during valid packet reception consist of the /T/R/ symbols, the end of packet is detected, data reception is terminated, CRS and RXDV are deasserted, and /I/I/ symbols are substituted in place of the /T/R/ symbols.

If 10 consecutive code bits from the receiver during valid packet reception do not consist of /T/R/ symbols, but consist of /I/I/ symbols instead, the packet is considered to have been terminated prematurely

and abnormally. When this premature end of packet condition is detected, RXER remains asserted for the nibble associated with the first // symbol detected and then RXER and CRS and RXDV are all deasserted. Premature end of packet condition is also indicated by setting the ESD error bit in the MI serial port Channel Status Output register.

2.13.2 10 Mbps

The end of packet for 10 Mbps mode is indicated with the SOI (Start of Idle) pulse. The SOI pulse is a positive double wide pulse containing a Manchester code violation inserted at the end of every packet.

The transmit SOI pulse is generated by the TP transmitter and inserted at the end of the data packet after TXEN is deasserted. The transmitted SOI output pulse at the TP output is shaped by the transmit waveshaper to meet the pulse template requirements specified in IEEE 802.3 Clause 14 and shown in Figure 6.

The receive SOI pulse is detected by the TP receiver by sensing missing data transitions. Once the SOI pulse is detected, data reception is ended and CRS and RXDV are deasserted.

Figure 6 SOI Output Voltage Template - 10 Mbps

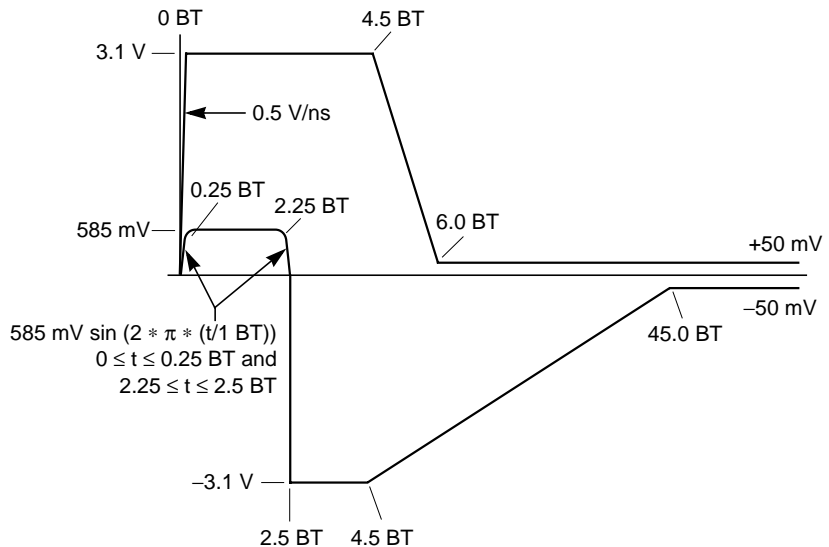
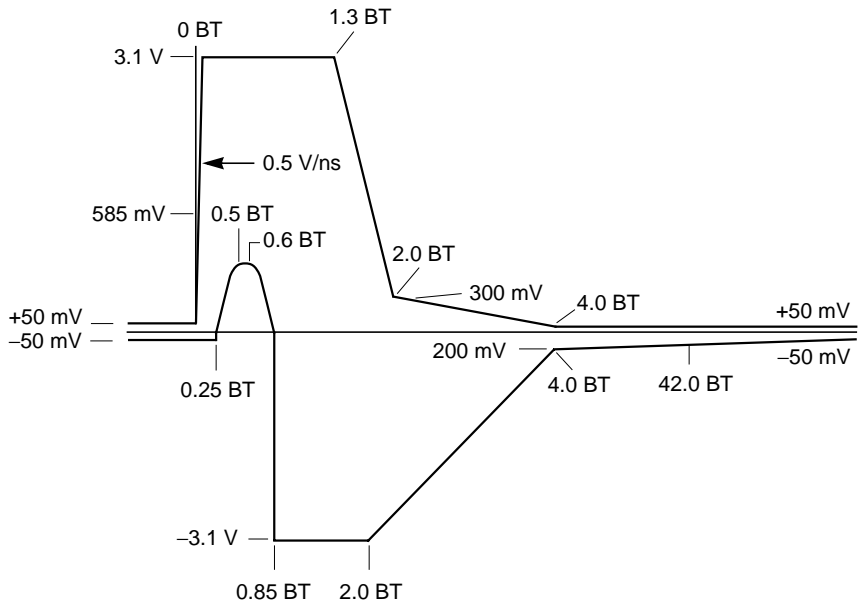


Figure 7 Link Pulse Output Voltage Template - 10 Mbps



2.14 Link Integrity and AutoNegotiation

2.14.1 General

The L84225 can be configured to implement either the standard link integrity algorithms or the AutoNegotiation algorithm.

The standard link integrity algorithms are used solely to establish an active link to and from a remote device. There are different standard link integrity algorithms for 10 and 100 Mbps modes. The AutoNegotiation algorithm is used for two purposes:

- To automatically configure the device for either 10/100 Mbps and Half/Full Duplex modes
- To establish an active link to and from a remote device

The standard link integrity and AutoNegotiation algorithms are described below.

2.14.2 10Base-T Link Integrity Algorithm

The L84225 uses the same 10Base-T link integrity algorithm that is defined in IEEE 802.3 clause 14. This algorithm uses normal link pulses, referred to as NLP's and transmitted during idle periods, to determine if a device has successfully established a link with a remote device (called Link Pass state). The transmit link pulse meets the template defined in IEEE 802.3 Clause 14 and shown in [Figure 7](#). Refer to IEEE 802.3 Clause 14 for more details if needed.

2.14.3 100Base-TX Link Integrity Algorithm

Since 100Base-TX is defined to have an active idle signal, then there is no need to have separate link pulses like those defined for 10Base-T. The L84225 uses the squelch criteria and descrambler synchronization algorithm on the input data to determine if the device has successfully established a link with a remote device (called Link Pass state). Refer to IEEE 802.3 for details on both algorithms.

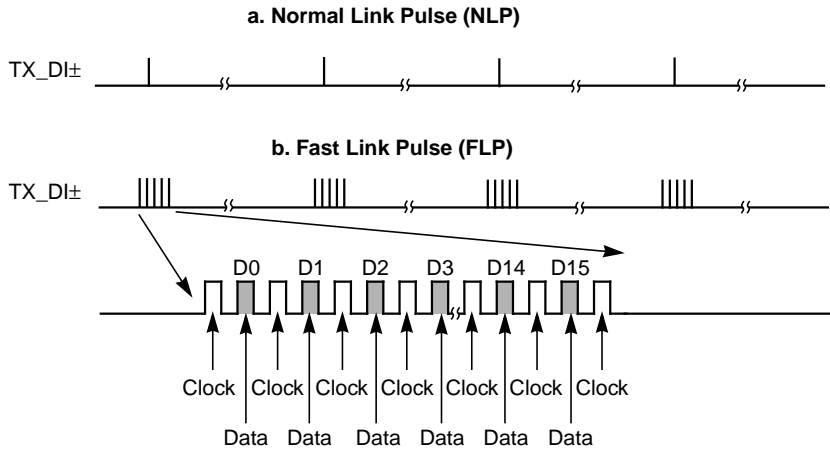
2.14.4 AutoNegotiation Algorithm

As stated previously, the AutoNegotiation algorithm is used for two purposes:

- To automatically configure the device for either 10/100 Mbps and Half/Full Duplex modes
- To establish an active link to and from a remote device

The AutoNegotiation algorithm is the same algorithm that is defined in IEEE 802.3 Clause 28. AutoNegotiation uses a burst of link pulses, called fast link pulses and referred to as FLP's, to pass up to 16 bits of signaling back and forth between the L84225 and a remote device. The transmit FLP pulses meet the template specified in IEEE 802.3 and shown in [Figure 7](#). A timing diagram contrasting NLP's and FLP's is shown in [Figure 8](#).

Figure 8 NLP vs. FLP Link Pulse



The AutoNegotiation algorithm is initiated by any of the following events:

- Powerup
- Device Reset
- AutoNegotiation Reset
- Entering the Link Fail state

Once a negotiation has been initiated, the L84225 first determines if the remote device has AutoNegotiation capability. If the device is not AutoNegotiation capable and is just transmitting either a 10Base-T or 100Base-TX signal, the L84225 will sense that and place itself in the correct mode. If the L84225 detects FLP's from the remote device, then the remote device is determined to have AutoNegotiation capability and the device then uses the contents of the MI serial port AutoNegotiation Advertisement register and FLP's to advertise it's capabilities to a remote device. The remote device does the same, and the capabilities read back from the remote device are stored in the MI serial port AutoNegotiation Remote End Capability register. The L84225 negotiation algorithm then matches it's capabilities to the remote devices capabilities and determines to what mode the device should be configured according to the priority resolution algorithm defined in IEEE 802.3 Clause 28. Once the negotiation process is completed, the L84225 then configures itself for either 10 or 100 Mbps mode and either Full or Half Duplex modes (depending on the outcome of the negotiation process), and it switches

to either the 100Base-TX or 10Base-T link integrity algorithms (depending on which mode was enabled by AutoNegotiation). Refer to IEEE 802.3 Clause 28 for more details.

2.14.5 AutoNegotiation Outcome Indication

The outcome or result of the AutoNegotiation process is stored in the speed detect and duplex detect bits in the MI serial port Status Output register.

2.14.6 AutoNegotiation Status

The status of the AutoNegotiation process can be monitored by reading the AutoNegotiation Acknowledgement Bit in the MI serial port Status register.

2.14.7 AutoNegotiation Enable

The AutoNegotiation algorithm can be enabled (or restarted) by setting the AutoNegotiation enable bit in the MI serial port Control register or by asserting the ANEG pin. The AutoNegotiation enable bit and ANEG pin both have to be high to enable AutoNegotiation. When the AutoNegotiation algorithm is enabled, the device halts all transmissions including link pulses for 1200-1500 ms, enters the Link Fail state, and restarts the negotiation process. When the AutoNegotiation algorithm is disabled, the selection of 100 Mbps or 10 Mbps mode is determined by the speed select bit in the MI serial port Control register, and the selection of Half or Full Duplex is determined by the duplex select bit in the MI serial port Control register.

2.14.8 AutoNegotiation Reset

The AutoNegotiation algorithm can be initiated at any time by setting the AutoNegotiation reset bit in the MI serial port Control register.

2.14.9 Link Indication

Receive link detect activity can be monitored through the link detect bit in the MI serial port Status and Status Output registers or it can also be programmed to appear on LED status pins by appropriately setting the programmable LED select bits in the MI serial port Configuration 2 register as shown in [Table 4](#). Whenever the LED Status pins are

programmed to be a link detect output, these pins are asserted low whenever the device is in the Link Pass state.

2.14.10 Link Disable

The link integrity function can be disabled by setting the link disable bit in the MI serial port Configuration 1 register. When the link integrity function is disabled, the device is forced into the Link Pass state, configures itself for Half/Full Duplex based on the value of the duplex bit in the MI serial port Control register, configures itself for 100/ 10 Mbps operation based on the values of the speed bit in the MI serial port Control register, and continues to transmit NLP's or TX idle patterns, depending on whether the device is in 10 or 100 Mbps mode.

2.15 Jabber

2.15.1 100 Mbps

The jabber function is disabled in the 100 Mbps mode.

2.15.2 10 Mbps

A jabber condition occurs when the transmit packet exceeds a predetermined length. When jabber is detected, the TP transmit outputs are forced to the idle state, collision is asserted, and jabber register bits in the MI serial port Status and Channel Status Output registers are set.

2.16 Receive Polarity Correction

2.16.1 100 Mbps

No polarity detection or correction is needed in 100 Mbps mode.

2.16.2 10 Mbps

The polarity of the signal on the TP receive input is continuously monitored. If one SOI pulse indicates incorrect polarity on the TP receive input, the polarity is internally determined to be incorrect, and the reverse polarity bit is set in the MI serial port Channel Status Output register.

The L84225 will automatically correct for the reverse polarity condition if the autopolarity feature is not disabled.

2.17 Full Duplex Mode

2.17.1 100 Mbps

Full Duplex mode allows transmission and reception to occur simultaneously. When Full Duplex mode is enabled, collision is disabled, and internal TXEN to CRS loopback is disabled.

The device can be either forced into Half or Full Duplex mode, or the device can detect either Half or Full Duplex capability from a remote device and automatically place itself in the correct mode.

Each channel can be forced into the Full or Half Duplex modes by either setting the duplex bit in the MI serial port Control register or asserting the DPLX pin for the corresponding channel with AutoNegotiation disabled.

The device can automatically configure itself for Full or Half Duplex modes by using the AutoNegotiation algorithm to advertise and detect Full and Half Duplex capabilities to and from a remote terminal. For detailed information, refer to [Section 2.14, "Link Integrity and AutoNegotiation," page 40](#).

2.17.2 10 Mbps

Full Duplex in 10 Mbps mode is identical to the 100 Mbps mode.

2.17.3 Full Duplex Indication

Full Duplex detect activity can be monitored through the duplex detect bit in the MI serial port Channel Status Output register.

Full Duplex detect activity also appears on the $\overline{\text{LED1}}$ pin by default. The LED outputs can be programmed to indicate four specific sets of events, by appropriately setting the LED definition bits in the MI serial port Global Configuration register. [Section 2.23, "LED Drivers," page 48](#), describes the programmable LED definition bit settings. Note that Full Duplex detection appears on the $\overline{\text{LED1}}$ pin in each of the four sets of events. The $\overline{\text{LED1}}$ pin is asserted low when the device is configured for Full Duplex operation.

2.18 10/100 MBPS Selection

2.18.1 General

The device can be forced into either the 100 or 10 Mbps mode, or the device can detect 100 or 10 Mbps capability from a remote device and automatically place itself in the correct mode.

The device can be forced into either the 100 or 10 Mbps mode by either setting the speed select bit in the MI serial port Control register or by setting the SPEED pin with AutoNegotiation disabled. Both the speed select bit and SPEED pin need to be set to the same speed (10 or 100) for the device to be properly configured. The speed select bit and SPEED pin are ignored if AutoNegotiation is enabled.

The device can automatically configure itself for 100 or 10 Mbps mode by using the AutoNegotiation algorithm to advertise and detect 100 and 10 Mbps capabilities to and from a remote device. Refer to [Section 2.14, "Link Integrity and AutoNegotiation," page 40](#), for more details on AutoNegotiation.

2.18.2 10/100 MBPS Indication

The device speed (100/10 Mbps) can be monitored through the speed bit in the MI serial port Channel Status Output register.

The device speed can also be programmed to appear on the $\overline{\text{LED0}}$ pin, by appropriately setting the LED definition bits in the MI serial port Global Configuration register. [Section 2.23, "LED Drivers," page 48](#), describes the programmable LED definition bit settings. When the $\overline{\text{LED0}}$ pin is programmed to be a speed detect output, the pin is asserted low when the device is configured for 100 Mbps operation.

2.19 Loopback

2.19.1 Internal CRS Loopback

TXEN is internally looped back onto CRS during every transmit packet. This internal CRS loopback is disabled during collision, in Full Duplex mode, in Link Fail State, and in RMII mode. In 10 Mbps mode, internal CRS loopback is also disabled when jabber is detected.

The internal CRS loopback can be disabled by setting the TXEN to CRS loopback disable bit in the MI serial port Channel Configuration register. When this bit is set, TXEN is no longer looped back to CRS.

2.19.2 Diagnostic Loopback

A diagnostic loopback mode can also be selected by setting the loopback bit in the MI serial port Control register. When diagnostic loopback is enabled, TXD[3:0] data is looped back onto RXD[3:0], TXEN is looped back onto CRS, RXDV operates normally, the TP receive and transmit paths are disabled, the transmit link pulses are halted, and the Half/Full Duplex modes do not change. Diagnostic loopback mode can not be enabled when the FBI interface is selected.

2.20 Reset

The L84225 is reset when either:

1. VDD is applied to the device,
2. the reset bit is set in the MI serial port Control register, or
3. the $\overline{\text{RESET}}$ pin is asserted active low.

When the reset is initiated by either (1) or (2), an internal power-on reset pulse is generated which resets all internal circuits, forces the MI serial port bits to their default values, and latches in new values for the MI address. After the power-on reset pulse has finished, the reset bit in the MI serial port Control register is cleared and the device is ready for normal operation. The device is guaranteed to be ready for normal operation 50 ms after the reset was initiated.

When the reset is initiated by (3), the identical procedure takes place as in (1) and (2), except the device stays in reset until the $\overline{\text{RESET}}$ pin is deasserted high.

2.21 Powerdown

The L84225 can be powered down by setting the powerdown bit in the MI serial port Control register. In powerdown mode, the TP outputs are in high impedance state, all functions are disabled except the MI serial port, and the power consumption is reduced to a minimum. The device will be ready for normal operation 50 ms after powerdown is deasserted.

2.22 Clock

The L84225 requires a 25 MHz reference frequency for internal signal generation in MII mode, and 50 MHz in RMII mode. This reference frequency must be applied to the CLKIN pin.

2.23 LED Drivers

The $\overline{\text{LED}}[3:0]$ outputs can drive LEDs tied to either VDD or GND. The LED definitions assume that the LED outputs are active low. If the LED Anodes are tied to the positive power supply (through limiting resistors), the LED will indicate the event as shown in Table 4. If the LED Cathodes are tied to ground and the Anodes to the L84225 Driver output, they will indicate the respective complementary events.

The LED[3:0] outputs can also drive other digital inputs.

Table 4 LED Function Definition

LEDDEF	LED3	LED2	LED1	LED0
1	LINK + ACT	COL	FDX	10/100
0	LINK 100	ACT	FDX	LINK10

Notes:

When the FX interface is enabled, LED0 becomes FEF. Default = 000 when pin LEDDEF = 0

Bits 16. [13:11] forced to 001 when pin LEDDEF = 1

Table 5 LED Event Definition

Symbol	Definition
ACT	Activity Occurred, Stretch Pulse to 100 ms
COL	Collision Occurred, Stretch Pulse to 100 ms
LINK100	100 Mb Link Detected
LINK10	10 Mb Link Detected
LINK	100 Mb or 10 Mb Link Detected
LINK+ACT	LED on if Link Detected (10 or 100). LED Blinks if Activity Determined, Stretch Pulse to 100 ms
FDX	Full Duplex Mode Detected with Link Pass
10/100	10 Mb Mode Enabled (High) or 100 Mb Mode Enabled (Low) with Link Pass

2.24 Repeater Mode

The L84225 has one predefined repeater mode which can be enabled by asserting the REPEATER pin. When this mode is enabled, the device operation is altered as follows:

- TXEN to CRS loopback is disabled.

2.25 MI Serial Port

2.25.1 Signal Description

The MI serial port has five pins, MDC, MDIO, and PHYAD[4:2]. MDC is the serial shift clock input. MDIO is a bidirectional data I/O pin. PHYAD[4:2] are physical address pins.

Pins PHYAD[4:2] set the three most significant bits of the PHY address. The two least significant bits of the PHY address are set internally to match the channel number, as shown in [Table 6](#).

Table 6 PHYAD[1:0] Settings

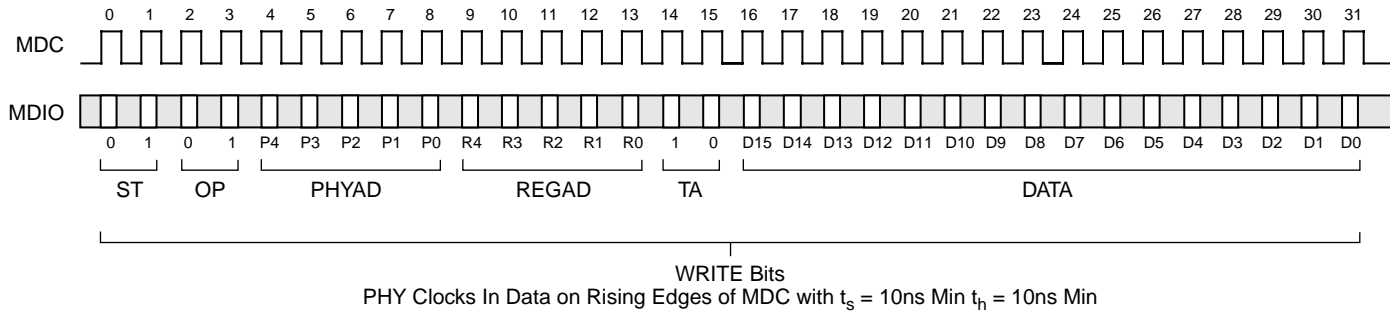
	PHYAD1	PHYAD0
Channel 3	1	1
Channel 2	1	0
Channel 1	0	1
Channel 0	0	0

2.25.2 Timing

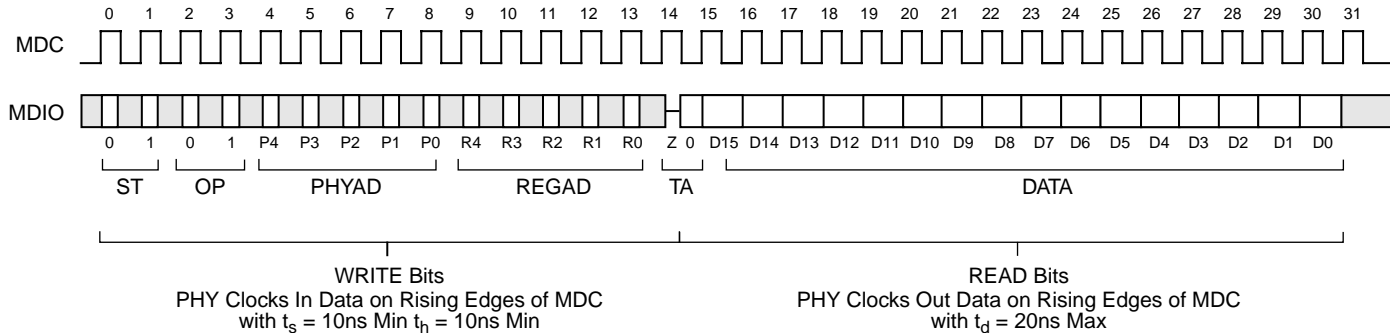
Figure 9 shows a timing diagram for a MI serial port cycle.

Figure 9 MI Serial Port Frame Timing Diagram

WRITE Cycle



READ Cycle



The MI serial port is idle when at least 32 continuous 1's are detected on MDIO and remains idle as long as continuous 1's are detected. During idle, MDIO is in the high impedance state. When the MI serial port is in the idle state, a 01 pattern on the MDIO pin initiates a serial shift cycle. Data on MDIO is then shifted in on the next 14 rising edges of MDC (MDIO is high impedance). If the register access mode is not enabled, on the next 16 rising edges of MDC, data is either shifted in or out on MDIO, depending on whether a write or read cycle was selected with the bits READ and WRITE. After the 32 MDC cycles have been completed, one complete register has been read/written, the serial shift process is halted, data is latched into the device, and MDIO goes into high impedance state. Another serial shift cycle cannot be initiated until the idle condition (at least 32 continuous 1's) is detected.

2.25.3 Multiple Register Access

Multiple registers can be accessed on a single MI serial port access cycle with the multiple register access feature. The multiple register access feature can be enabled by setting the multiple register access enable bit in the Global Configuration Register for all channels.

When multiple register access is enabled, all registers can be accessed on a single MI serial port access cycle by setting the register address to 11111 during the first 16 MDC clock cycles. There is no actual register residing in register address location 11111.

When the register address is set to 11111, all eleven registers are accessed for all four channels on the 704 rising edges of MDC (4 x 11 x 16) that occur after the first 16 MDC clock cycles of the MI serial port access cycle. The registers are accessed in numerical order from 0 to 20 for each channel and from channel 0 to 3. After all 720 MDC clocks have been completed, all the registers have been read/written, and the serial shift process is halted, data is latched into the device, and MDIO goes into high impedance state. Another serial shift cycle cannot be initiated until the idle condition (at least 32 continuous 1's) is detected.

2.25.4 Bit Types

Since the serial port is bidirectional, there are many types of bits. The bit type definitions are summarized in [Table 7](#).

Table 7 MI Register Bit Type Definition

Sym.	Name	Definition	
		Write Cycle	Read Cycle
W	Write	Input	No Operation, Hi Z
R	Read	No Operation, Hi Z	Output
R/W	Read/Write	Input	Output
R/WSC	Read/Write Self Clearing	Input. Clears Itself After Operation Completed	Output
R/LL	Read/Latching Low	No Operation, Hi Z	Output. When bit goes low, bit latched. When bit is read, bit updated.
R/LH	Read/Latching High	No Operation, Hi Z	Output. when bit goes high, bit latched. When bit is read, bit updated.
R/LT	Read/Latching on Transition	No Operation, Hi Z	Output. When bit transitions, bit latched and interrupt set. When bit is read, interrupt cleared and bit updated.

Write bits (W) are inputs during a write cycle and are high impedance during a read cycle. Read bits (R) are outputs during a read cycle and high impedance during a write cycle. Read/Write bits (R/W) are actually write bits that can be read out during a read cycle. R/WSC bits are R/W bits that are self-clearing after a set period of time or after a specific event has completed. R/LL bits are read bits that latch themselves when they go low, and they stay latched low until read. After they are read, they are reset high. R/LH bits are the same as R/LL bits, except that they latch high. R/LT are read bits that latch themselves whenever they make a transition or change value, and they stay latched until they are read. After R/LT bits are read, they are updated to their current value. The R/LT bits can also be programmed to assert the interrupt function as described in the Interrupt section.

2.25.5 Frame Structure

The structure of the serial port frame is shown in [Table 8](#) and a timing diagram is shown in [Figure 9](#). Each serial port access cycle consists of 32 bits (or 720 bits if multiple register access is enabled and REGAD[4:0]=11111), exclusive of idle. The first 16 bits of the serial port cycle are always write bits and are used for addressing. The last 16/704 bits are from one/all of the 4 x 11 data registers.

The first 2 bits in [Table 8](#) and [Figure 9](#) are start bits and need to be written as a 01 for the serial port cycle to continue. The next 2 bits are read and write bits that determine whether the accessed data register bits will be read or write. The next 5 bits are device addresses. The 3 most significant bits must match the values on pins PHYAD[4:2] and the 2 least significant bits select one of four channels for access. The next 5 bits are register address select bits, which select one of the eleven registers for access. The next 2 bits are turnaround bits which are not an actual register bits but extra time to switch MDIO from write to read if necessary. The final 16 bits of the MI serial port cycle (or 704 bits if multiple register access is enabled and REGAD[4:0]=11111) come from the specific data register designated by the register address bits REGAD[4:0].

2.25.6 Register Structure

The L84225 has eleven 16 bit registers for each channel. All eleven registers are available for setting configuration inputs and reading status outputs. A map of the registers is shown in [Table 9](#). The eleven registers consist of six registers that are defined by IEEE 802.3 specifications (Registers 0-5) and five registers that are unique to the L84225 (Registers 16-20).

The structure and bit definition of the Control Register is shown in [Table 10](#). This register stores various configuration inputs and its bit definition complies with the IEEE 802.3 specifications.

The structure and bit definition of the Status Register is shown in [Table 11](#). This register contains device capabilities and status output information and its bit definition complies with the IEEE 802.3 specifications.

The structure and bit definition of the PHY ID Register 1 and PHY ID Register 2 is shown in [Table 12](#) and [Table 13](#), respectively. These

registers contain an identification code unique to the L84225 and their bit definition complies with the IEEE 802.3 specifications.

The structure and bit definition of the Auto Negotiation Advertisement and Auto Negotiation Remote End Capability registers is shown in [Table 14](#) and [Table 15](#), respectively. These registers are used by the Auto Negotiation algorithm and their bit definition complies with the IEEE 802.3 specifications.

The Global Configuration Register, shown in [Table 16](#), stores various configuration inputs and is common for all four channels. This register is reserved for factory use only.

The Channel Configuration Register, shown in [Table 17](#), stores various configuration inputs unique to each channel. This register is reserved for factory use only.

The structure and bit definition of the Channel Status Output Register is shown in [Table 18](#). This register contains output status information from each channel.

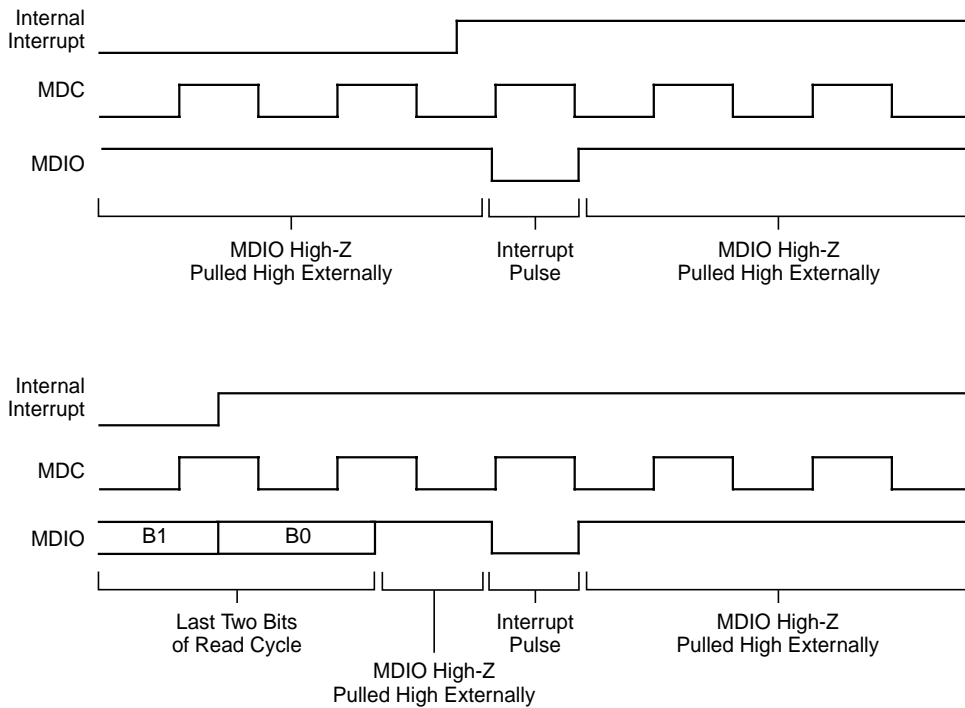
The structure and bit definition of the Global Interrupt Mask Register is shown in [Table 19](#). This register is common for all four channels. Bit 7 is the interrupt indication. The 7 least significant bits are the Mask bits for the R/LT status bits in the Channel Status Output Register.

Register 20 in [Table 20](#) is reserved for factory use only. All bits must be set to the pre-set default states shown for normal operation.

2.25.7 Invalid Registers

The registers in locations 6-15 and 21-31 are not implemented on the device and are therefore unused. When an unused register is read, the value returned can be configured to be either all 0s or all 1s by appropriately pinstrapping the REGDEF pin.

Figure 10 MDIO Interrupt Pulse



3 Register Description

Table 8 MI Serial Port Structure

<Idle>	<Start>	<Read>	<Write>	<PHY Addr.>	<Reg. Addr.>	<Turnaround>	<Data>
IDLE	ST[1:0]	READ	WRITE	PHYAD[4:0]	REGAD[4:0]	TA[1:0]	D[15:0]

MI Registers - Address and Default Value

REGAD	Name	Default (Hex Code)
00000	Control Register	3000
00001	Status Register	7809
00010	PHY ID 1 Register	0016
00011	PHY ID 2 Register	F840
00100	Auto Negotiation Advertisement Register	01E1
00101	Auto Negotiation Remote Capability Register	0000
10000	Reserved	0008
10001	Reserved	0002
10010	Channel Status Output Register	0340/0240/ 0140/0040
10011	Reserved	007F
10100	Reserved	0000

Symbol	Name	Definition	R/W
IDLE	Idle Pattern	These bits are an idle pattern. Device will not initiate an MI cycle until it detects at least 32 1's.	W
ST[1:0]	Start Bits	When ST[1:0]=01, a MI serial port access cycle starts.	W
READ	Read Select	1 = Read Cycle	W
WRITE	Write Select	1 = Write Cycle	W
PHYAD[4:0]	Physical Device Address	When PHYAD[4:2] bits match the PHYAD[4:2] pins, the MI serial port is selected for operation. PHYAD[1:0] is used for channel selection: PHYAD [1:0]=11 For Channel 3 PHYAD [1:0]=10 For Channel 2 PHYAD [1:0]=01 For Channel 1 PHYAD [1:0]=00 For Channel 0	W
REGAD4[4:0]	Register Address	If REGAD[4:0]=00000-11100, these bits determine the specific register from which D[15:0] is read/written. If multiple register access is enabled and REGAD[4:0]=11111, all registers are read/written in a single cycle.	W

Symbol	Name	Definition	R/W
TA[1:0]	Turnaround Time	These bits provide some turnaround time for MDIO When READ=1, TA[1:0]=Z0 When WRITE=1, TA[1:0]=ZZ	R/W
D[15:0]+	Data	These 16 bits contain data to/from one of the eleven registers selected by register address bits REGAD[4:0].	R or W

Table 10 Register 0 - Control Register Definition

0.15	0.14	0.13	0.12	0.11	0.10	0.9	0.8
RST	LPBK	SPEED	ANEG_EN	PDN	MII_DIS	ANEG_RST	DPLX
R/WSC	R/W	R/W	R/W	R/W	R/W	R/WSC	R/W
0.7	0.6	0.5	0.4	0.3	0.2	0.1	0.0
COLTST	0	0	0	0	0	0	0
R/WSC	R	R	R	R	R	R	R

Bit	Symbol	Name	Definition	R/W	Def.
0.15	RST	Reset	1 = Reset, Bit Self Clearing after Reset Complete 0 = Normal SC	R/W SC	0
0.14	LPBK	Loopback Enable	1 = Loopback Mode Enabled 0 = Normal	R/W	0
0.13	SPEED	Speed Select	1 = 100 Mbps Selected (100BaseTX) 0 = 10 Mbps Selected (10BaseT) Note: Can be overridden with SPEED pin	R/W	1
0.12	ANEG_EN	AutoNegotiation Enable	1 = AutoNegotiation Enabled 0 = AutoNegotiation Disabled Note: Can be overridden with ANEG pin	R/W	1
0.11	PDN	Powerdown Enable	1 = Powerdown 0 = Normal	R/W	0
0.10	MII_DIS	MII Interface Disable	1 = MII Interface Disabled 0 = Normal	R/W	1
0.9	ANEG_RST	AutoNegotiation Reset	1 = Restart AutoNegotiation Process, Bit Self Clearing After Reset Complete 0 = Normal	R/W SC	0
0.8	DPLX	Duplex Mode Select	1 = Full Duplex 0 = Half Duplex Note: Can be overridden with DPLX pin	R/W	0
0.7	COLTST	Collision Test Enable	1 = Collision Test Enabled 0 = Normal	R/W	0
0.6 thru 0.0			Reserved	R/W	0

Table 11 Register 1 - Status Register Definition

1.15	1.14	1.13	1.12	1.11	1.10	1.9	1.8
CAP_T4	CAP_TXF	CAP_TXH	CAP_TF	CAP_TH	0	0	0
R	R	R	R	R	R	R	R
1.7	1.6	1.5	1.4	1.3	1.2	1.1	1.0
0	CAP_SUPR	ANEG_ACK	REM_FLT	CAP_ANEG	LINK	JAB	EXREG
R	R	R	R/LH	R	R/LL	R/LH	R

Bit	Symbol	Name	Definition	R/W	Def.
1.15	CAP_T4	100Base-T4 Capable	0 = Not Capable of 100Base-T4 Operation	R	0
1.14	CAP_TXF	100Base-TX Full Duplex Capable	1 = Capable Of 100Base-TX Full Duplex	R	1
1.13	CAP_TXH	100Base-TX Half Duplex Capable	1 = Capable Of 100Base-TX Half Duplex	R	1
1.12	CAP_TF	10Base-T Full Duplex Capable	1 = Capable Of 10Base-T Full Duplex	R	1
1.11	CAP_TH	10Base-T Half Duplex Capable	1 = Capable Of 10Base-T Half Duplex	R	1
1.10 thru 1.7			Reserved	R	0
1.6	CAP_SUPR	MI Preamble Suppression Capable	0 = Not Capable of Accepting MI Frames with MI Preamble Suppressed	R	0
1.5	ANEG_ACK	AutoNegotiation Acknowledgment	1 = AutoNegotiation Acknowledgment Process Complete 0 = AutoNegotiation Not Complete	R	0
1.4	REM_FLT	Remote Fault Detect	1 = Remote Fault Detected. This bit is set when Remote Fault Bit 5.13 is set. 0 = No Remote Fault	R/LH	0
1.3	CAP_ANEG	AutoNegotiation Capable	1 = Capable of AutoNegotiation	R	1
1.2	LINK	Link Status	1 = Link Detected (Same as Bit 18.6 Inverted) 0 = Link Not Detected	R/LL	0

Bit	Symbol	Name	Definition	R/W	Def.
1.1	JAB	Jabber Detect	1 = Jabber Detect 0 = Normal	R/LH	0
1.0	EXREG	Extended Register Capable	1 = Extended Registers Exist	R	1

Note: 1.15 Bit is Shifted First

Table 12 Register 2 - PHY ID Register 1 Definition

2.15	2.14	2.13	2.12	2.11	2.10	2.9	2.8
OUI3	OUI4	OUI5	OUI6	OUI7	OUI8	OUI9	OUI10
R	R	R	R	R	R	R	R
2.7	2.6	2.5	2.4	2.3	2.2	2.1	2.0
OUI11	OUI12	OUI13	OUI14	OUI15	OUI16	OUI17	OUI18
R	R	R	R	R	R	R	R

Bit	Symbol	Name	Definition	R/W	Def.
2.15	OUI3	CompanyID, Bits 3-18	OUI = 00-A0-7D	R	0
2.14	OUI4				0
2.13	OUI5				0
2.12	OUI6				0
2.11	OUI7				0
2.10	OUI8				0
2.9	OUI9				0
2.8	OUI10				0
2.7	OUI11				0
2.6	OUI12				0
2.5	OUI13				0
2.4	OUI14				1
2.3	OUI15				0
2.2	OUI16				1
2.1	OUI17				1
2.0	OUI18				0

Note: 2.15 Bit is Shifted First

Table 13 Register 3 - PHY ID Register 2 Definition

3.15	3.14	3.13	3.12	3.11	3.10	3.9	3.8
OUI19	OUI20	OUI21	OUI22	OUI23	OUI24	PART5	PART4
R	R	R	R	R	R	R	R
3.7	3.6	3.5	3.4	3.3	3.2	3.1	3.0
PART3	PART2	PART1	PART0	REV3	REV2	REV1	REV0
R	R	R	R	R	R	R	R

Bit	Symbol	Name	Definition	R/W	Def.
3.15 3.14 3.13 3.12 3.11 3.10	OUI19 OUI20 OUI21 OUI22 OUI23 OUI24	Company ID, Bits 3-18	OUI = 00-A0-7D	R	1 1 1 1 1 0
3.9 3.8 3.7 3.6 3.5 3.4	PART5 PART4 PART3 PART2 PART1 PART0	Manufacturer's Part Number	04	R	0 0 0 1 0 0
3.3 3.2 3.1 3.0	REV3 REV2 REV1 REV0	Manufacturer's Revision Number		R	— — — —

Note: 3.15 Bit is Shifted First

Table 14 Register 4 - AutoNegotiation Advertisement Register Definition

4.15	4.14	4.13	4.12	4.11	4.10	4.9	4.8
NP	ACK	RF	0	0	PAUSE	T4	TX_FDX
R/W	R	R/W	R/W	R/W	R/W	R/W	R/W
4.7	4.6	4.5	4.4	4.3	4.2	4.1	4.0
TX_HDX	10_FDX	0	0	0	0	0	CSMA
R/W	R/W	R/W	R/W	R/W	R/W	R/W	R/W

Bit	Symbol	Name	Definition	R/W	Def.
4.15	NP	Next Page Enable	0 = No Next Page	R/W	0
4.14	ACK	Acknowledge	1 = AutoNegotiation Word Recognized 0 = Not Recognized	R	0
4.13	RF	Remote Fault	1 = AutoNegotiation Remote Fault Detected 0 = No Remote Fault	R/W	0
4.12 thru 4.11			Reserved	R/W	0
4.10	PAUSE	PAUSE Frame Capable	1 = Capable of Transmitting and Receiving Pause Frames 0 = Not Capable	R/W	0
4.9	T4	100Base-T4 Capable	1 = Capable Of 100Base-T4 0 = Not Capable	R/W	0
4.8	TX_FDX	100Base-TX Full Duplex Capable	1 = Capable of 100Base-TX Full Duplex 0 = Not Capable	R/W	1
4.7	TX_HDX	100Base-TX Half Duplex Capable	1 = Capable Of 100Base-TX Half Duplex 0 = Not Capable	R/W	1
4.6	10_FDX	10Base-TX Full Duplex Capable	1 = Capable Of 10Base-TX Full Duplex 0 = Not Capable	R/W	1
4.5	10_HDX	10Base-TX Half Duplex Capable	1 = Capable Of 10Base-TX Half Duplex 0 = Not Capable	R/W	1
4.4 thru 4.1			Reserved	R/W	0
4.0	CSMA	CSMA 802.3 Capable	1 = Capable of 802.3 CSMA Operation 0 = Not Capable	R/W	1

Note: 4.15 Bit is Shifted First

Table 15 Register 5 - AutoNegotiation Remote Capability Definition

5.15	5.14	5.13	5.12	5.11	5.10	5.9	5.8
NP	ACK	RF	0	0	PAUSE	T4	TX_FDX
R	R	R	R	R	R	R	R
5.7	5.6	5.5	5.4	5.3	5.2	5.1	5.0
TX_HDX	10_FDX	0	0	0	0	0	CSMA
R	R	R	R	R	R	R	R

Bit	Symbol	Name	Definition	R/W	Def.
5.15	NP	Next Page Enable	1 = Next Page Exists 0 = No Next Page	R	0
5.14	ACK	Acknowledge	1 = Received AutoNeg. Word Recognized 0 = Not Recognized	R	0
5.13	RF	Remote Fault Enable	1 = AutoNegotiation Remote Fault Detected 0 = No Remote Fault	R	0
5.12 thru 5.11			Reserved	R	0
5.10	PAUSE	PAUSE Frame Capable	1 = Capable of Transmitting and Receiving Pause Frames 0 = Not Capable	R	0
5.9	T4	100Base-T4 Capable	1 = Capable Of 100Base-T4 0 = Not Capable	R	0
5.8	TX_FDX	100Base-TX Full Duplex Capable	1 = Capable of 100BaseTx Full Duplex 0 = Not Capable	R	1
5.7	TX_HDX	100Base-TX Half Duplex Capable	1 = Capable Of 100BaseTx Half Duplex 0 = Not Capable	R	0
5.6	10_FDX	10Base-TX Full Duplex Capable	1 = Capable Of 10BaseTx Full Duplex 0 = Not Capable	R	0
5.5	10_HDX	10Base-TX Half Duplex Capable	1 = Capable Of 10BaseTx Half Duplex 0 = Not Capable	R	0
5.4 thru 5.1			Reserved	R	0
5.0	CSMA	CSMA 802.3 Capable	1 = Capable of 802.3 CSMA Operation 0 = Not Capable	R	0

Note: 5.15 Bit is Shifted First

Table 16 Register 16 - Reserved

16.15	16.14	16.13	16.12	16.11	16.10	16.9	16.8
0	0	0	0	0	0	0	0
R/W	R/W	R/W	R/W	R/W	R/W	R/W	R/W
16.7	16.6	16.5	16.4	16.3	16.2	16.1	16.0
0	1	0	0	1	0	0	0
R/W	R/W	R/W	R/W	R/W	R/W	R/W	R/W

Bit	Symbol	Name	Definition	R/W	Def.
16.15 thru 16.0	—	—	Reserved for factory use. Must be written with default values specified above for normal operation	—	—

Table 17 Register 17 - Reserved

17.15	17.14	17.13	17.12	17.11	17.10	17.9	17.8
0	0	0	0	0	0	0	0
R/W	R/W	R/W	R/W	R/W	R/W	R/W	R/W
17.7	17.6	17.5	17.4	17.3	17.2	17.1	17.0
0	0	0	0	0	0	1	0
R/W	R/W	R/W	R/W	R/W	R/W	R/W	R/W

Bit	Symbol	Name	Definition	R/W	Def.
17.15 thru 17.0	—	—	Reserved for factory use. Must be written with default values specified above for normal operation	—	—

Table 18 Register 18 - Channel Status Output Register Definition

18.15	18.14	18.13	18.12	18.11	18.10	18.9	18.8
RPOL	DSYN_TO					CHAD1	CHAD0
R	R	R	R	R	R	R	R
18.7	18.6	18.5	18.4	18.3	18.2	18.1	18.0
	LINK_FAIL	SPD_DET	DPLX_DET	CWRD	SSD	ESD	JAB
R	R/LT	R/LT	R/LT	R/LT	R/LT	R/LT	R/LT

Bit	Symbol	Name	Definition	R/W	Default
18.15	RPOL	Reversed Polarity Detect	1 = Reversed Polarity Detect 0 = Normal	R	0
18.14	DSYN_TO	Loss of Synchronization Detect	1 = Descrambler Has Lost Synchronization 0 = Normal	R	0
18.13 thru 18.10			Reserved	R	0
18.9 18.8	CHAD1 CHAD0	Channel Address	11 = Accessing Channel 3 10 = Accessing Channel 2 01 = Accessing Channel 1 00 = Accessing Channel 0	R	11/10/ 01/00
18.7			Reserved	R	0
18.6	LINK_FAIL	Link Fail Detect	1 = Link Not Detected 0 = Normal	R/LT	1
18.5	SPD_DET	100/10 Speed Detect	1 = Device in 100BaseTx Mode 0 = Device in 10 BaseT Mode	R/LT	0
18.4	DPLX_DET	Duplex Detect	1 = Device in Full Duplex Mode 0 = Device in Half Duplex Mode	R/LT	0
18.3	CWRD	Codeword Error	1 = Invalid 4B5B Code Detected On Receive Data 0 = Normal	R/LT	0
18.2	SSD	Start of Stream Error	1 = No Start of Stream Delimiter Detected On Receive Data 0 = Normal	R/LT	0

Bit	Symbol	Name	Definition	R/W	Default
18.1	ESD	End of Stream Error	1 = No End of Stream Delimiter Detected On Receive Data 0 = Normal	R/LT	0
18.0	JAB	Jabber Detect	1 = Jabber Detected 0 = Normal	R/LT	0

Note: 18.15 Bit Is Shifted First

Table 19 Register 19 - Reserved

19.15	19.14	19.13	19.12	19.11	19.10	19.9	19.8
0	0	0	0	0	0	0	0
R/W	R/W	R/W	R/W	R/W	R/W	R/W	R/W
19.7	19.6	19.5	19.4	19.3	19.2	19.1	19.0
0	1	1	1	1	1	1	1
R/W	R/W	R/W	R/W	R/W	R/W	R/W	R/W

Bit	Symbol	Name	Definition	R/W	Def.
19.15 thru 19.0	—	—	Reserved for factory use. Must be written with default values specified above for normal operation	—	—

Table 20 Register 20 - Reserved

20.15	20.14	20.13	20.12	20.11	20.10	20.9	20.8
0	0	0	0	0	0	0	0
R/W	R/W	R/W	R/W	R/W	R/W	R/W	R/W
20.7	20.6	20.5	20.4	20.3	20.2	20.1	20.0
0	0	0	0	0	0	0	0
R/W	R/W	R/W	R/W	R/W	R/W	R/W	R/W

Bit	Symbol	Name	Definition	R/W	Def.
20.15 thru 20.0	—	—	Reserved for factory use. Must be written with default values specified above for normal operation	—	—

Note: 20.15 Bit Is Shifted First

4 Application Information

4.1 Example Schematics

A typical example of the L84225 used for a switching hub application in twisted pair mode is shown in [Figure 11](#); an example of the L84225 used in fiber mode is shown in [Figure 12](#).

4.2 TP Interface

4.2.1 Transmit Interface

The interface between the TP outputs on TPOP/N and the twisted pair cable is typically transformer coupled and terminated with the two resistors as shown in [Figure 11](#).

The transformer for the transmitter is recommended to have a winding ratio of 1:1 with the center tap of the primary winding tied to VDD, as shown in [Figure 11](#). The specifications for such a transformer are shown in [Table 21](#). Sources for quad transformers compatible with the L84225 are listed in [Table 22](#). Note that both “Stacked” and “Non-Stacked” pinout types are listed. The Stacked and Non-Stacked designation refers to the

type of RJ-45 connector used on the secondary side (line side) of the transformer. The pinout of these types differ slightly so that traces to the magnetics may be kept as short and direct as possible.

The "non-stacked" RJ-45 (also referred to as harmonica) is a traditional horizontally oriented connector consisting of four RJ-45 jacks in a single in-line assembly.

The newer "stacked" connector consists of a two-over-two configuration so that four RJ-45 jacks are located in the footprint area of two side-by-side connectors. This is a significant improvement for higher density multi-port applications and smaller system form-factors.

The L84225 pin-out has been optimized for connection to transformers and connectors designed for the higher density stacked configuration. The Quad Transceiver also operates with non-stacked connectors using either transformers that map the pin-out to the non-stacked configuration, or using trace "crossovers" on the PCB layout.

The transformers listed with "non-stacked" pinouts use crossover connections inside the part to map the stacked pinout of the L84225 to non-stacked RJ-45 connectors. Crossovers internal to the transformer are not made in a controlled impedance environment, so this can impact, somewhat, the cross-talk performance of the system.

For best cross-talk and system performance, it is suggested that stacked connector and transformer configurations be used. Alternately, non-stacked connectors may be used with stacked transformer types and the crossover wiring can be put on the pc board using a ground plane to reduce impedance mismatch.

The transmit output needs to be terminated with two external termination resistors in order to meet the output impedance and return loss requirements of IEEE 802.3. It is recommended that these two external resistors be connected from VDD to each of the TPOP/N outputs, and their value should be chosen to provide the correct termination impedance when looking back through the transformer from the twisted pair cable, as shown in [Figure 11](#). The value of these two external termination resistors depends on the type of cable driven by the device. Refer to the Cable Selection Section for more details on choosing the value of these resistors.

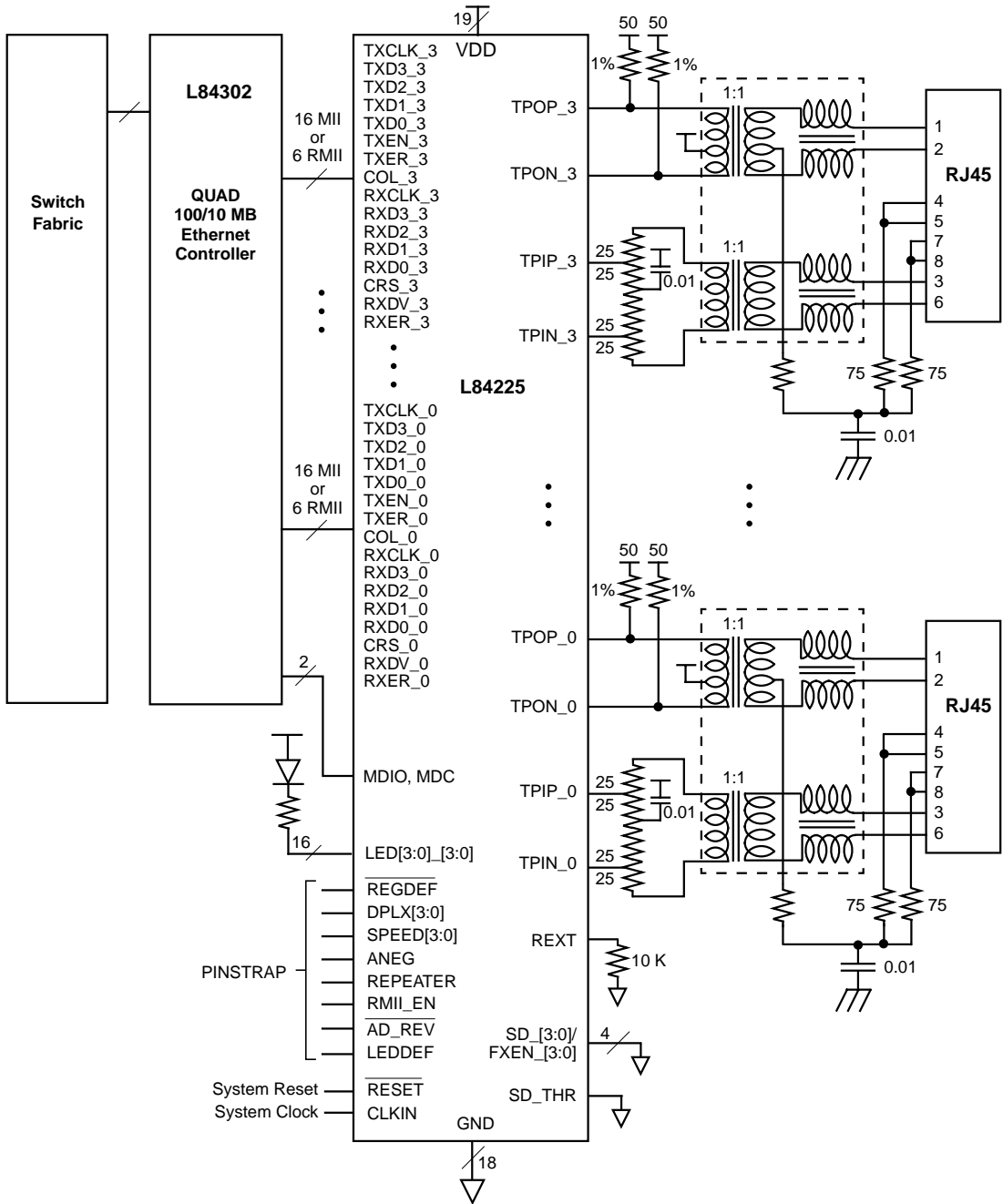
To minimize common mode output noise and to aid in meeting radiated emissions requirements, it may be necessary to add a common mode choke on the transmit outputs as well as add common mode bundle termination. The transformers listed in [Table 22](#) all contain common mode chokes on both the transmit and receive sides, as shown in [Figure 11](#). Common mode bundle termination is achieved by tying the unused pairs in the RJ45 to chassis ground through 75 ohm resistors and a 0.01 uF capacitor, as shown in [Figure 11](#).

To minimize noise pickup into the transmit path in a system or on a PCB, the loading on TPOP/N should be minimized and both outputs should always be loaded equally.

Table 21 TP Transformer Specification

Parameter	Specification	
	Transmit	Receive
Turns Ratio	1:1 CT	1:1
Inductance, (uH Min)	350	350
Leakage Inductance, (uH)	0.2	0.2
Capacitance (pF Max)	15	15
DC Resistance (Ohms Max)	0.4	0.4

Figure 11 Typical Switching Hub Port Schematic Using the L84225 in Twisted Pair Mode



Application Information

Copyright © 1999-2002 by LSI Logic Corporation. All rights reserved.

Figure 12 Typical Switching Hub Port Schematic Using the L84225 in FX Mode with 3.3 V Transceivers

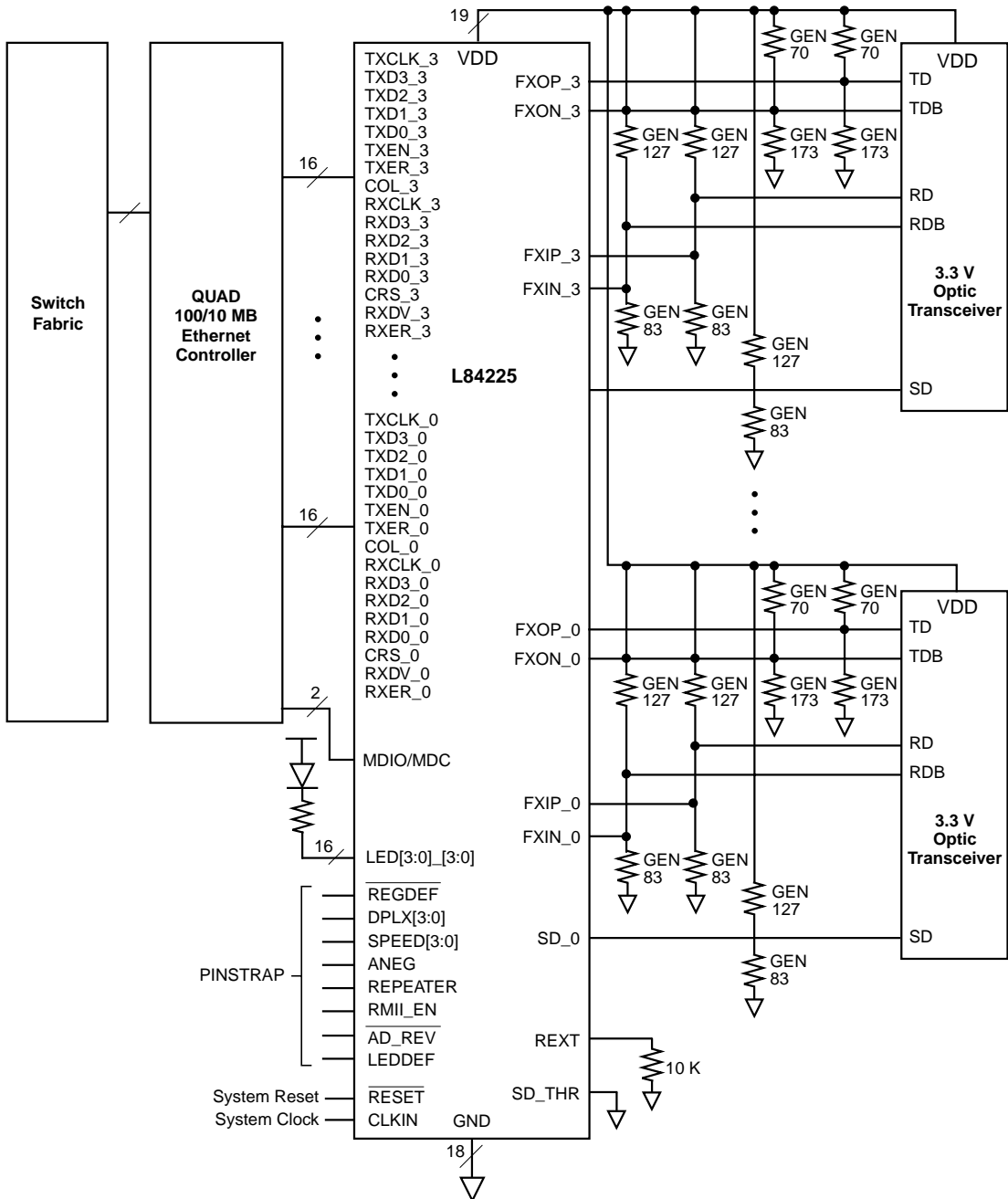


Table 22 TP Transformer Sources

Vendor	Part Number	Pin Out Type
Pulse	H1062	Stacked
bel	S558-5999B47	Stacked
nano pulse	6931-30	Stacked
Valor	ST6179	Stacked
Halo	TG110-S453NX	Stacked
Pulse	H1053	Non-Stacked
bel	S558-5999-J5	Non-Stacked
nano pulse	6949-30	Non-Stacked
Valor	ST6403P	Non-Stacked
Halo	TG110-S456NX	Non-Stacked

4.2.2 Receive Interface

Receive data is typically transformer coupled into the receive inputs on TPIP/N and terminated with an external resistor as shown in [Figure 11](#).

The transformer for the receiver is recommended to have a winding ratio of 1:1, as shown in [Figure 11](#). The specifications for such a transformer are shown in [Table 21](#). Sources for the transformer are listed in [Table 22](#).

The receive input needs to be terminated with the correct termination impedance to meet the input impedance and return loss requirements of IEEE 802.3. In addition, the receive TP inputs need to be attenuated. It is recommended that both the termination and attenuation be accomplished by placing four external resistors in series across the TPIP/N inputs as shown in [Figure 11](#). The resistors should be 25%/25%/25%/25% of the total series resistance, and the total series resistance should be equal to the characteristic impedance of the cable (100 ohms for UTP, 150 Ohms for STP). For 100 Ohm twisted pair, the resistor string values should be 25 Ohms each (1%). It is also recommended that a 0.1uF capacitor be placed between the center of

the series resistor string and Vcc in order to provide an AC ground for attenuating common mode signal at the input. This capacitor is also shown in [Figure 11](#).

To minimize common mode input noise and to aid in meeting susceptibility requirements, it may be necessary to add a common mode choke on the receive input as well as add common mode bundle termination. The transformers listed in [Table 22](#) contain common mode chokes on both the transmit and receive sides, as shown in [Figure 11](#). Common mode bundle termination is achieved by tying the receive secondary center tap and the unused pairs in the RJ45 to chassis ground through 75 ohm resistors and a 0.01 uF capacitor, as shown in [Figure 11](#).

In order to minimize noise pickup into the receive path in a system or on a PCB, the loading on TPIP/N should be minimized and both inputs should be loaded equally.

4.3 TP Transmit Output Current Set

The TPOP/N output current level is set by an external resistor tied between REXT and GND. This output current is determined by the following equation where R is the value of REXT:

$$I_{out} = (10K/R) I_{ref}$$

Where I_{ref} = 40 mA (100 Mbps, UTP)
= 32.6 mA (100 Mbps, STP)
= 100 mA (10 Mbps, UTP)
= 81.6 mA (10 Mbps, STP)

For 100 Ohm UTP, REXT should be typically set to 10K ohms and REXT should be a 1% resistor in order to meet IEEE 802.3 specified levels. Once REXT is set for the 100 Mbps and UTP modes as shown by the equation above, Iref is then automatically changed inside the device when the 10 Mbps mode or UTP120/STP150 modes are selected as described in [Section 5.3, "Twisted Pair Characteristics, Transmit," page 89](#).

Keep resistor REXT as close to pins REXT and GND as possible in order to reduce noise pickup into the transmitter.

Since the TP output is a current source, capacitive and inductive loading can reduce the output voltage level from the ideal. Thus, in an actual

application, it might be necessary to adjust the value of the output current to compensate for external loading. The TP output level can be adjusted by changing the value of the external resistor tied to RXT.

4.4 Transmitter Droop

The IEEE 802.3 specification has a transmitter output droop requirement for 100BaseTX. Since the L84225 TP output is a current source, it has no perceptible droop by itself. However, the open circuit inductance of the transformer added to the device transmitter output as shown in [Figure 11](#) will cause droop to appear at the transmit interface to the TP wire. If the transformer connected to the L84225 outputs meets the requirements in [Table 21](#), the transmit interface to the TP cable will meet the IEEE 802.3 droop requirements.

4.5 Fiber Interface

4.5.1 General

The L84225 uses a PECL-type driver/receiver to achieve a throughput of 100 Mbps across a differential fiber interface. The interface comprises four signals: FXOP/ FXON (output) and FXIP/FXIN (input).

Some Fiber transceivers modules that will work with the L84225 are shown in [Table 23](#). The Siemens Fiber Transceiver V23809-C8-C10 operates at 3.3V for use with the L84225. 5V Fiber modules such as the HP HFBR-5103 will also operate with the proper termination network described later.

Table 23 Fiber Transceiver Modules

Vendor	3.3V	5V
Siemens ¹	V23809-C8-C10	V23809-C8-C10
HP	Available Soon	HFBR-5103
Amp	Contact Supplier	269040-1

1. Siemens part operates at both 3.3V and 5V supply values.

The L84225 fiber interface is enabled for each channel independently if a valid PECL Fiber signal is tied to the SD_[3:0]/FXEN_[3:0] pins; the

fiber interface is disabled (and the TP interface enabled) by connecting the SD_[3:0]/FXEN_[3:0] pins to GND for that channel.

AutoNegotiation and the scrambler/descrambler are disabled when the fiber interface is enabled.

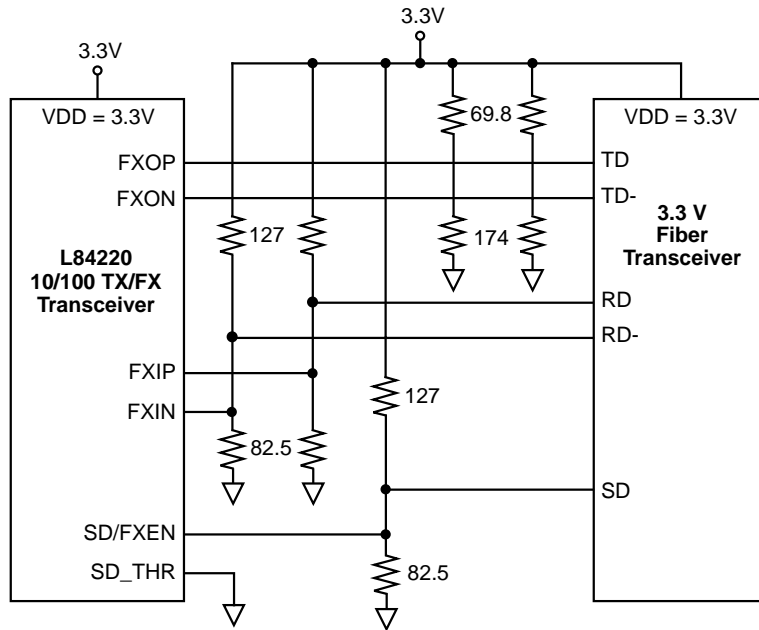
The voltage applied to the SD_THR pin sets the input reference level of the fiber interface for the single ended Signal Detect inputs only. If a 3.3 V fiber transceiver is used with the L84225, this pin should be tied to GND. If a 5 V fiber transceiver is used, this pin needs to be tied to VCC(3.3V)-1.3 V (about 2V), but referenced to the 5V supply of the fiber transceiver. An easy way to do this is with a 15K:10K voltage divider from the 5 V supply to ground, with the center point of the divider connected to SD_THR, as shown in [Figure 14](#).

4.5.2 Operation with 3.3V Fiber Transceivers

Termination on the differential outputs of the fiber transceiver module must be observed for proper impedance matching, which is normally the equivalent of 50 Ohms single ended. The terminating resistor values are shown in [Figure 13](#) for FXOP/FXON (outputs), FXIP/ FXIN (inputs) and SD_[3:0]/FXEN_[3:0] (inputs) for use with 3.3V fiber modules. The calculated termination resistors on FXOP/FXON are a pull-up of 69.8 Ohms to 3.3V and a pulldown of 174 Ohms to ground.

The termination network at the fiber inputs (FXIP/FXIN and SD_[3:0]/FXEN_[3:0]) of the L84225 is specified by the fiber module manufacturer and will normally be a pull-up of 127 Ohms to 3.3V and a pulldown of 82.5 Ohms to GND, as shown in [Figure 13](#). Note that the Input and Output termination resistor values are different since the output driver of the Fiber module and the L84225 have a different structure. The interface network for 3.3V fiber transceiver modules is shown in [Figure 13](#).

Figure 13 FX Interface to 3.3V Fiber Modules



4.5.3 Operation with 5V Fiber Transceivers

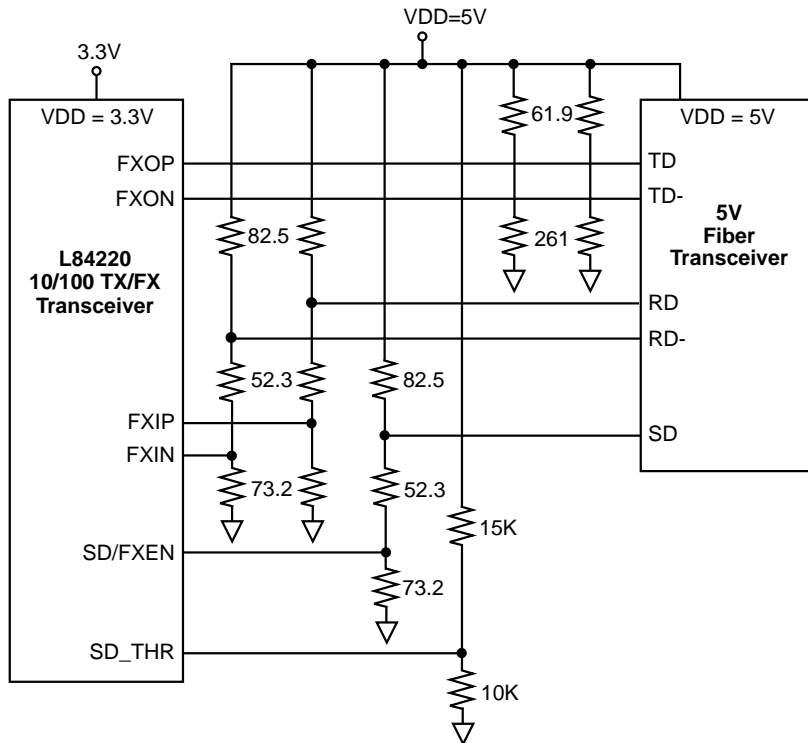
It is also possible to use the L84225 with 5V fiber modules by changing the resistive termination network slightly.

Since the L84225 FXOP/FXON Outputs are 5V tolerant, the output termination resistors should be a pull-up of 61.9 Ohms to the 5V supply, and a pulldown of 261 Ohms to GND, as shown in [Figure 14](#). This provides an Output High Voltage of 4.05V, and a low of about 3.3V to the fiber module.

The termination network on the FXIP/FXIN inputs of the L84225 must be modified for operation with 5V modules by adding a third resistor as a “tap” on the pulldown leg, as shown in [Figure 14](#). This divides down the voltage seen at the input of the L84225 so that it does not exceed the range of the input buffer. The pull-up resistor recommended by the 5V module supplier generally remains the same - usually about 82.5 Ohms to the 5V supply. The normally recommended 125-Ohm pulldown resistor must be split into two. The values of this new pair should be 52.3 Ohms connected to the pull-up resistor and 73.2 Ohms connected from the

52.3-Ohm resistor to ground, providing a voltage divider function at the junction of the pair. The junction of these two resistors should be connected to the FXIP/FXIN and SD_[3:0]/FXEN_[3:0] inputs of the L84225. This will provide a High PECL logic level of 2.36V and a low of 1.92V, which is sufficient for operation of the L84225. An interface suitable for operation with 5V fiber transceiver modules is shown below in [Figure 14](#).

Figure 14 FX Interface to 5V Fiber Modules



4.6 MII Controller Interface

4.6.1 General

The MII controller interface allows the L84225 to connect to any external Ethernet controller without any glue logic, provided that the external Ethernet controller has an MII interface that complies with IEEE 802.3 as shown in [Figure 11](#) and [Figure 12](#).

The L84225 also offers RMII (Reduced MII) interface as a selectable option for use with controllers (MACs) supporting RMII operation. By holding the RMII_EN pin high, the RMII interface is enabled, cutting the required interface signals from 16 to 6. This is a significant savings in board interconnect for high port count systems.

For normal MII operation, the RMII_EN pin should be tied to GND. Refer to the RMII description in Section 2 for details of the interface operation.

4.6.2 Clocks

Standard Ethernet controllers with an MII use TXCLK to clock data in on inputs TXD[3:0]. TXCLK is specified in IEEE 802.3 and on the L84225 to be an output. The L84225 requires a 25 MHz reference frequency in MII mode, and 50 MHz in RMII mode. This reference frequency must be applied to the CLKIN pin. CLKIN generates TXCLK inside the L84225; thus, data can be clocked into the L84225 on the rising edge of output clock TXCLK or on the rising edge of input clock CLKIN.

If a nonstandard controller is used to interface to the L84225, or in Repeater Applications, there may be a need to clock TXD[3:0] into the L84225 on the rising edge CLKIN. Where CLKIN is used as the input clock, TXCLK can be left open or used for another purpose.

4.6.3 MII Disable

The MII outputs can be placed in the high impedance state and inputs disabled by setting the MII disable bit in the MI serial port Control register. When this bit is set to the disable state, the TP and FX outputs are both disabled and transmission is inhibited. The default value of this bit when the device powers up or is reset is dependent on the device address. If the device address latched into PHYAD[4:0] at reset is 11111, it is assumed that the device is being used in applications where there maybe more than one device sharing the MII bus, like external PHYs or adapter cards, so the device powers up with the MII interface disabled. If the device address latched into PHYAD[4:0] at reset is not 11111, it is assumed that the device is being used in an application where it is the only device on the MII bus, like hubs, so the device powers up with the MII interface enabled.

4.7 FBI Controller Interface

The FBI (Five Bit Interface) controller interface has the same characteristics of the MII except that the data path is five bits wide, instead of 4 bits wide per the MII. The five-bit-wide data path is automatically enabled when the 4B5B encoder is bypassed. Because of this encoder/ decoder bypass, the FBI is used primarily for repeaters or other applications where the PHY encoding/decoding function is not needed. For more details about the FBI, see the Non-MII Based Repeaters Section.

4.8 Repeater Applications

4.8.1 MII Based Repeaters

The L84225 can be used as the physical interface for MII based repeaters by using the standard MII/RMII as the interface to the repeater core.

For most repeaters, it is necessary to disable the internal CRS loopback. This can be done by asserting the repeater input of the chip.

For some particular types of repeaters, it may be desirable to either enable or disable AutoNegotiation, force Half Duplex operation, and enable either 100 Mbps or 10 Mbps operation. All of these modes can be configured by either asserting the appropriate hardware pins or by setting the appropriate bits in the MI serial port Control register.

4.8.2 Clocks

Normally, transmit data sent over the MII/RMII/FBI is clocked into the L84225 by the rising edge of the output clock TXCLK. It may be desirable or necessary in some repeater applications to clock in transmit data from a master clock from the repeater core. This would require that transmit data be clocked in on the edge of an input clock. An input clock is available for clocking in data on TXD by the rising edge on the CLKIN pin. Notice from the timing diagrams that CLKIN generates TXCLK, and TXD data is clocked in on TXCLK edges. This means that TXD data is also clocked in on the CLKIN edge as well. Thus, an external clock driving the CLKIN input can also be used as the clock for TXD.

4.9 Serial Port

4.9.1 General

The L84225 has an MI serial port to set all of the devices' configuration inputs and read out the status outputs. Any external device that has an IEEE 802.3 compliant MI interface can connect directly to the L84225 without any glue logic, as shown in [Figure 11](#) and [Figure 12](#).

As described earlier, the MI serial port consists of five lines: MDC, MDIO, and PHYAD[4:2]. However, only 2 lines, MDC and MDIO, are needed to shift data in and out.

PHYAD[4:2] define the three most significant bits of the PHY address, as described in [Section 4.9.3, "Serial Port Addressing," page 83](#).

4.9.2 Polling vs. Interrupt

The status output bits can be monitored by either polling the serial port or with the interrupt output.

If polling is used, the registers can be read at regular intervals and the status bits can be checked against their previous values to determine any changes. To make polling simpler, all the registers can be accessed in a single read or write cycle by setting the register address bits REGAD[4:0] to 11111 and adding enough clocks to read out all the bits, provided the multiple register access feature has been enabled.

4.9.3 Serial Port Addressing

The device address for the MI serial port is selected by connecting the PHYAD[4:2] pins to the desired value. The PHYAD[1:0] addresses are internally hardwired for each channel as shown in both [Table 6](#) and [Table 8](#).

4.10 Unmanaged Port Configuration

The L84225 has configuration inputs which can "over-ride" the default configuration state obtained on POWER-UP or RESET of the device. Use of these pins ANEG, SPEED_[3:0], and DPLX_[3:0] allow selection of Global AutoNegotiation, Individual Port Speed (10/100), and Individual Port Duplex (Full/Half), by properly strapping these pins to VDD or VSS

as shown in [Table 24](#). Note that these pins *should not float*, but must be connected either High or Low for proper operation.

In order to obtain the “Default Mode of Operation”, i.e.: Auto-negotiation enabled, 100MBs, and Half Duplex; the ANEG, SPEED_[3:0], and DPLX_[3:0] pins should be set to 1,1,0 respectively.

Table 24 Hardware Configuration

Configuration State	Auto-Negotiate	Speed	Duplex
Normal (POC/RESET)	Enabled	Advertise 10/100	Advertise Full/Half
Config Pins	ANEG=1	SPEED_[3:0]=1	DPLX_[3:0]=0
Complement State	Disabled	10MBs	Full
Config Pins	ANEG=0	SPEED_[3:0]=0	DPLX_[3:0]=1

4.11 Long Cable

IEEE 802.3 specifies that 10BaseT and 100BaseTX operate over twisted pair cable lengths from 0 to 100 meters. The squelch levels can be reduced by 4.5 dB if the receive level adjust bit is appropriately set in the MI serial port Channel Configuration register, which will allow the L84225 to operate with up to 150 meters of twisted pair cable. The equalizer is already designed to accommodate between 0 to 150 meters of cable.

4.12 Clock

The L84225 requires a 25 MHz reference frequency for internal signal generation in MII mode, and 50 MHz in RMII mode. The appropriate reference frequency must be applied to the CLKIN pin.

4.13 LED Drivers

The $\overline{\text{LED}}[3:0]$ outputs can all drive LED's tied to VDD as shown in [Figure 11](#) and [Figure 12](#). In addition, the $\overline{\text{LED}}[3:0]$ outputs can drive LEDs tied to GND as well. The LED definitions assume that the LED

outputs are tied to VDD, active low signals (otherwise the LED outputs will indicate their respective opposite events.)

The LEDDEF pin determines the default settings for LED[3:0]. If LEDDEF = 0, the default functions for $\overline{\text{LED}}[3:0]$ are Link 100, Activity, Full Duplex, and Link 10, respectively. If LEDDEF = 1, the LED functions for LED[3:0] are forced to LINK + ACTIVITY, Collision, Full Duplex and 10/100 Mbps operation, respectively. [Table 4](#) defines the LED functions. [Table 5](#) defines the LED events.

The LED[3:0] outputs can also drive other digital inputs. Thus, LED[3:0] can also be used as digital outputs whose function can be user defined and controlled through the MI serial port.

4.14 5V Compatible I/O Operation

The input and output pins of the L84225 are tolerant of signal levels up to a maximum of 5.5V (including overshoot etc.). This allows the transceiver to be operated with 5V controllers that have TTL I/O characteristics (0.8 to 2.0V Input levels) without the use of levelshifters or other interfaces.

Controllers and other system components may be operated with 5V supplies and all inter-chip signals may be connected directly to the L84225. All required external logic levels must retain TTL compatibility since the L84225 outputs are not guaranteed to achieve higher than 2.3V with a load of 10ma. However, the inputs of the L84225 will tolerate TTL or CMOS logic levels being driven into the device.

This should make replacement of the Physical Layer transceivers in existing designs quite simple since any 5V devices do not need to be changed.

4.15 Power Supply Decoupling

There are 18 VDDs and 19 GNDs on the L84225.

All VDDs on each individual side should be connected together (grouped) and tied to a power plane, as close as possible to the L84225 supply pins. If the VDDs vary in potential by even a small amount, noise and latchup can result. The L84225 VDD pins should be kept to within 50 mV of each other.

All GNDs should be connected as close as possible to the device with a large ground plane. If the GNDs vary in potential by even a small amount, noise and latchup can result. The GND pins should be kept to within 50 mV of each other.

A 0.01-0.1uF decoupling capacitor should be connected between the VDD group and GND on each of the 4 sides of the L84225 as close as possible to the device pins, preferably within 0.5 in. The value should be chosen depending on whether the noise from VDD-GND is high or low frequency. A conservative approach would be to use two decoupling capacitors on each side, one 0.1uf for low frequencies, and one 0.001 uf for high frequency noise on the power supply.

The VDD connection to the transmit transformer center tap shown in [Figure 11](#) and [Figure 12](#) must be well decoupled in order to minimize common mode noise injection from the supply into the twisted pair cable. It is recommended that a 0.01 uF decoupling capacitor be placed between the transformer center tap VDD connection and the L84225 GND plane. This decoupling capacitor should be physically placed as close as possible to the transformer center tap, preferably within 0.5 in.

The PCB layout and power supply decoupling discussed above should provide sufficient decoupling to achieve the following when measured at the device:

1. the resultant AC noise voltage measured across each VDD/GND set should be less than 100 mVpp,
2. all VDDs should be within 50 mVpp of each other, and
3. all GNDs should be within 50 mVpp of each other.

5 Specifications

5.1 Absolute Maximum Ratings

Absolute maximum ratings are limits beyond which may cause permanent damage to the device or affect device reliability. All voltages are specified with respect to GND, unless otherwise specified.

- V_{DD} Supply Voltage -0.3 V to +4.0 V
- All Inputs and Outputs -0.3 V to 5.5 V
- Package Power Dissipation 3.0 Watt @ 70 C
- Storage Temperature -65 to +150 C
- Temperature Under Bias -10 to +80 C
- Lead Temperature (Soldering, 10 Sec) 260 C
- Body Temperature (Soldering, 30 Sec) 220 C

Note that all inputs and outputs are 5V tolerant.

5.2 DC Electrical Characteristics

Unless otherwise noted, all test conditions are as follows:

1. $T_A = 0$ to $+70$ C
2. $V_{DD} = 3.3$ V 5%
3. 25 MHz 0.01%
4. $R_{EXT} = 10K$ 1%, no load

Sym.	Parameter	Limit			Unit	Conditions
		Min	Typ	Max		
V_{IL}	Input Low Voltage			0.8	Volt	
V_{IH}	Input High Voltage	2			Volt	
I_{IL}	Input Low Current			1	μ A	$V_{IN} = GND$ All Except \overline{RESET}
		10		50	μ A	$V_{IN} = GND$ \overline{RESET}
I_{IH}	Input High Current			1	μ A	$V_{IN} = V_{DD}$
V_{OL}	Output Low Voltage			0.4	Volt	$I_{OL} = -4$ mA, Except $\overline{LED}[3:0]$
				1	Volt	$I_{OL} = -20$ mA, $\overline{LED}[3:0]$
V_{OH}	Output High Voltage	$V_{DD} - 1.0$			Volt	$I_{OH} = 4$ mA All Except $\overline{LED}[3:0]$
		$V_{DD} - 1.0$			Volt	$I_{OH} = 10$ mA, $\overline{LED}[3:0]$
		2.4			Volt	$I_{OH} = 10$ μ A
C_{IN}	Input Capacitance		5		pF	
I_{DD}	VDD Supply Current			450	mA	Transmitting 100%, 100 Mbps
				450	mA	Transmitting 100%, 10 Mbps
I_{GND}	GND Supply Current			700	mA	Transmitting 100%, 100 Mbps, Note 1
				700	mA	Transmitting 100%, 10 Mbps, Note 1
				200	μ A	Powerdown

Note 1. I_{GND} includes current flowing into GND from the external resistors and transformer on TPOP/TPON, as shown in [Figure 11](#).

5.3 Twisted Pair Characteristics, Transmit

Unless otherwise noted, all test conditions are as follows:

1. $T_A = 0$ to $+70$ C
2. $V_{DD} = 3.3$ V 5%
3. 25 MHz 0.01%
4. $R_{EXT} = 10K$ 1%, no load
5. TPOP/N loading shown in [Figure 11](#), or equivalent

Sym.	Parameter	Limit			Unit	Conditions
		Min	Typ	Max		
T _{OV}	TP Differential Output Voltage	0.950	1.000	1.050	V pk	100 Mbps, UTP Mode, 100 Ohm load
		1.165	1.225	1.285	V pk	100 Mbps, STP Mode, 150 Ohm load
		2.2	2.5	2.8	V pk	10 Mbps, UTP Mode, 100 Ohm load
		2.694	3.062	3.429	V pk	10 Mbps, STP Mode, 150 Ohm load
T _{OVS}	TP Differential Output Voltage Symmetry	98		102	%	100 Mbps, ratio of positive and negative amplitude peaks on TPOP/N
T _{ORF}	TP Differential Output Rise And Fall Time	3.0		5.0	ns	100 Mbps
T _{ORFS}	TP Differential Output Rise And Fall Time Symmetry			0.5	ns	100 Mbps, difference between rise and fall times on TPOP/N
T _{ODC}	TP Differential Output Duty Cycle Distortion			0.25	ns	100 Mbps, output data=0101... NRZI Pattern Unscrambled, measure at 50% Points
T _{OJ}	TP Differential Output Jitter			0.7	ns	100 Mbps, Output Data=Scrambled /H/
T _{OO}	TP Differential Output Overshoot			5.0	%	100 Mbps
T _{OVT}	TP Differential Output Voltage Template	See Figure 4				10 Mbps
T _{SOI}	TP Differential Output SOI Voltage Template	See Figure 6				10 Mbps

Sym.	Parameter	Limit			Unit	Conditions
		Min	Typ	Max		
T _{LPT}	TP Differential Output Link Pulse Voltage Template	See Figure 7				10 Mbps, NLP and FLP
T _{OIV}	TP Differential Output Idle Voltage			50	mV	10 Mbps, Measured on Secondary Side of Xfmr in Figure 11
T _{OIA}	TP Output Current	38	40	42	mA pk	100 Mbps, UTP with TLVL[3:0]=1000
		31.06	32.66	34.26	mA pk	100 Mbps, STP with TLVL[3:0]=1000
		88	100	112	mA pk	10 Mbps, UTP with TLVL[3:0]=1000
		71.86	81.64	91.44	mA pk	10 Mbps, STP with TLVL[3:0]=1000
T _{OIR}	TP Output Current Adjustment Range	0.80		1.2		Adjustable with REXT, Relative to TOIA with REXT=10K
		0.86		1.16		Adjustable with TLVL[3:0]. See Section 4.3, "TP Transmit Output Current Set." Relative to Value at TLVL[3:0]=1000.
T _{ORA}	TP Output Current TLVL Step Accuracy			50	%	Relative to Ideal Values in Table 2. Values Relative to Output with TLVL[3:0]=1000.
T _{OR}	TP Output Resistance		10K		Ohm	
T _{OC}	TP Output Capacitance		15		pF	

5.4 Twisted Pair Characteristics, Receive

Unless otherwise noted, all test conditions are as follows:

1. $T_A = 0$ to $+70$ C
2. $V_{DD} = 3.3$ V 5%
3. 25 MHz 0.01%
4. $R_{EXT} = 10K$ 1%, no load
5. 62.5/10 MHz Square Wave on TP inputs in 100/10 Mbps

Sym.	Parameter	Limit			Unit	Conditions
		Min	Typ	Max		
R_{ST}	TP Input Squelch Threshold	166		500	mV pk	100 Mbps, RLVL=0
		310		540	mV pk	10 Mbps, RLVL=0
		60		200	mV pk	100 Mbps, RLVL=1
		217		378	mV pk	10 Mbps, RLVL=1
R_{UT}	TP Input Unsquelch Threshold	100		300	mV pk	100 Mbps, RLVL=0
		186		324	mV pk	10 Mbps, RLVL=0
		60		180	mV pk	100 Mbps, RLVL=1
		130		227	mV pk	10 Mbps, RLVL=1
R_{OCV}	TP Input Open Circuit Voltage		$V_{DD} - 2.4$ 0.2		Volt	Voltage on either TPIP or TPIN with respect to GND
R_{CMR}	TP Input Common Mode Voltage Range		R_{OCV} 0.25		Volt	Voltage on either TPIP or TPIN with respect to GND
R_{DR}	TP Input Differential Voltage Range			V_{DD}	Volt	
R_{IR}	TP Input Resistance	5K			ohm	
R_{IC}	TP Input Capacitance		10		pF	

5.5 Fiber Interface Characteristics, Transmit and Receive

Unless otherwise noted, all test conditions are as follows:

1. $T_A = 0$ to $+70$ C
2. $V_{DD} = 3.3$ V 5%
3. 25 MHz 0.01%
4. $R_{EXT} = 10K$ 1%, no load
5. FXOP/N loading shown in [Figure 12](#) or equivalent

Sym.	Parameter	Limit			Unit	Conditions
		Min	Typ	Max		
F_{OVH}	Fiber Output Level, High	$V_{DD} - 1.020$		$V_{DD} - 0.880$	V	Single ended FXOP/N relative to GND
F_{OVL}	Fiber Output Level, Low	$V_{DD} - 1.810$		$V_{DD} - 1.620$	V	Single ended FXOP/N relative to GND
F_{DIV}	Fiber Differential Input Voltage	0.150			V	FXIP/N
F_{CMR}	Fiber Input Common Mode Voltage Range	1.35		$V_{DD} - 0.8$	V	FXIP/N
F_{SDIH}	SD/FXEN Input High Voltage	$V_{SD_THR} - 50$ mV			V	This spec applies when device is connected to 5 V external fiber optic transceivers. V_{SD_THR} is the voltage applied to the SD_THR pin and is spec'ed by F_{SDTHR} .
		VCC - 1.165			V	This spec applies when device is connected to 3.3V external fiber optic transceivers. SD_THR is tied to GND.

Sym.	Parameter	Limit			Unit	Conditions
		Min	Typ	Max		
F _{SDIL}	SD/FXEN Input Low Voltage			V _{SD_THR} +50 mV	V	This spec applies when device is connected to 5V external fiber optic transceivers. V _{SD_THR} is the voltage applied to the SD_THR pin and is spec'ed by FSDTHR.
				VCC-1.475		This spec applies when device is connected to 3.3V external fiber optic transceivers. SD_THR is tied to GND.
F _{SDTHR}	SD_THR Input Voltage	VCC -1.3 V -10%	VCC 1.3 V	VCC -1.3 V +10%	V	This spec applies when device is connected to 5V external fiber optic transceivers. When interfacing to 3.3V fiber optic transceivers, SD_THR is tied to GND.
F _{DIS}	Fiber Interface Disable Voltage, SD/FXEN Pin	0.45		0.85	V	For disabling fiber interface
F _{LVL}	Internal/External Signal Detect Level Select, SD_THR Pin	0.45		0.85	V	For selecting interface to either 3.3V or 5 V external fiber transceivers

5.6 AC Test Timing Conditions

Unless otherwise noted, all test conditions are as follows:

1. T_A = 0 to +70 °C
2. V_{DD} = 3.3 V ± 5%
3. 25 MHz ± 0.01%
4. R_{EXT} = 10K ± 1%, no load
5. Input conditions:
All inputs: tr,tf ≤ 10 ns, 20-80%
6. Output Loading
TPOP/N: Same as Figure 11 or equivalent, 10 pF
REGDEF: 1K pullup, 50 pF
All other digital outputs: 25 pF

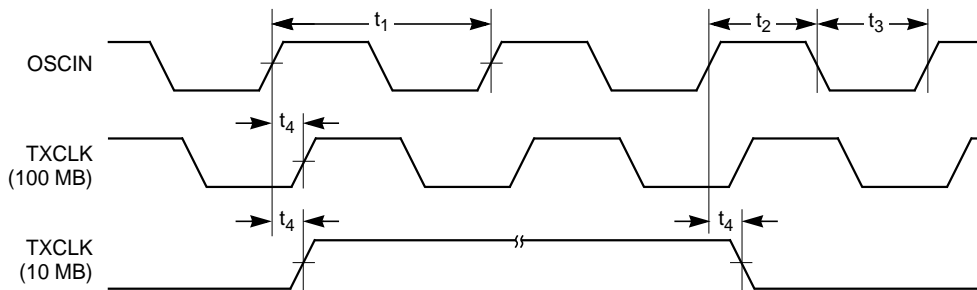
7. Measurement Points:
 TPOP/N, TPIP/N: 0 V during data, 0.3V at start/end of packet
 All other inputs and outputs: 1.4 V

5.7 Clock Timing Characteristics

Refer to [Figure 15](#) for Timing Diagram

Sym.	Parameter	Limit			Unit	Conditions
		Min	Typ	Max		
t_1	CLKIN Period	39.996	40	40.004	ns	MII
		19.996	20	20.002	ns	RMII
t_2	CLKIN High Time	16			ns	MII
		7			ns	RMII
t_3	CLKIN Low Time	16			ns	MII
		7			ns	RMII
t_4	CLKIN to TXCLK Delay			10	ns	100 Mbps, MII
				20	ns	10 Mbps, MII

Figure 15 Output Timing



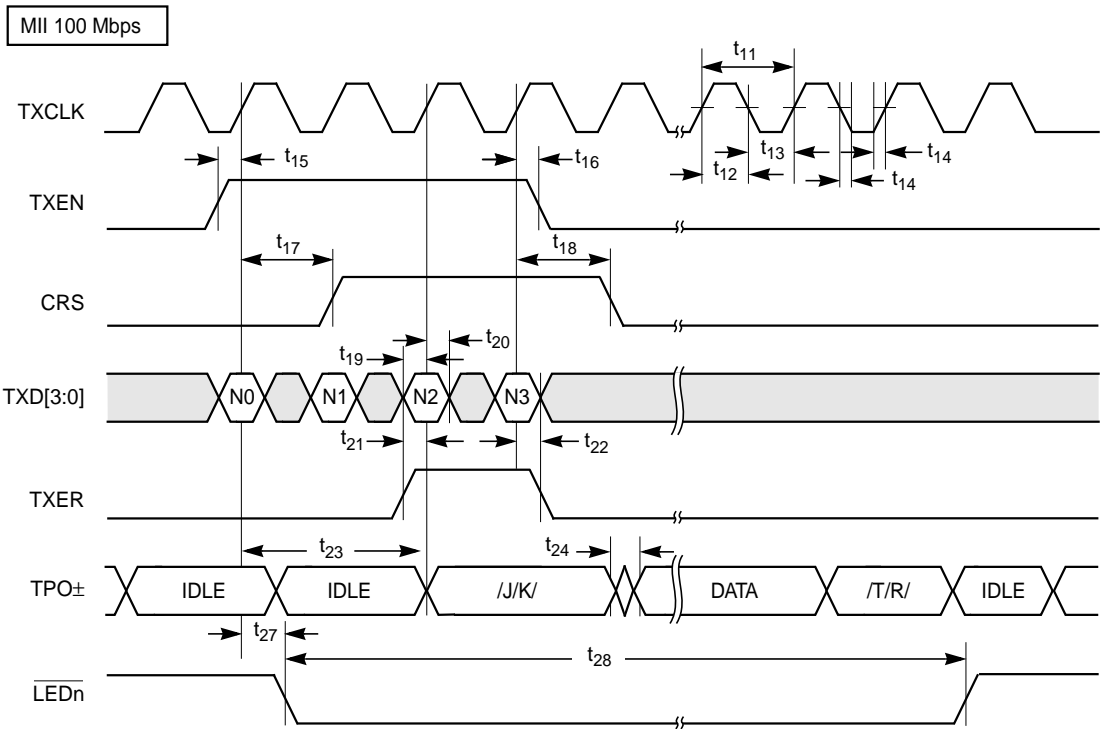
5.8 Transmit Timing Characteristics

Refer to [Figure 16](#) and [Figure 17](#) for Timing Diagram

Sym.	Parameter	Limit			Unit	Conditions
		Min	Typ	Max		
t ₁₁	TXCLK Period	39.996	40	40.004	ns	100 Mbps
		399.96	400	400.04	ns	10 Mbps
t ₁₂	TXCLK Low Time	16	20	24	ns	100 Mbps
		160	200	240	ns	10 Mbps
t ₁₃	TXCLK High Time	16	20	24	ns	100 Mbps
		160	200	240	ns	10 Mbps
t ₁₄	TXCLK Rise/Fall Time			10	ns	
t ₁₅	TXEN Setup Time	15			ns	MII
		4			ns	RMII
t ₁₆	TXEN Hold Time	0			ns	MII
		2			ns	MII
t ₁₇	CRS During Transmit Assert Time			40	ns	100 Mbps, MII and FBI
				400	ns	10 Mbps, MII and FBI
t ₁₈	CRS During Transmit Deassert Time			160	ns	100 Mbps
				900	ns	10 Mbps
t ₁₉	TXD Setup Time	15			ns	MII
		4				RMII
t ₂₀	TXD Hold Time	0			ns	MII
		2				RMII
t ₂₁	TXER Setup Time	15			ns	
t ₂₂	TXER Hold Time	0			ns	MII
		2				RMII
t ₂₃	Transmit Propagation Delay	60		140	ns	100 Mbps, MII
				140	ns	100 Mbps, FBI
				600	ns	10 Mbps
t ₂₄	Transmit Output Jitter			0.7	ns pk-pk	100 Mbps
				5.5	ns pk-pk	10 Mbps
t ₂₅	Transmit SOI Pulse Width To 0.3V	250			ns	10 Mbps

Sym.	Parameter	Limit			Unit	Conditions
		Min	Typ	Max		
t ₂₆	Transmit SOI Pulse Width to 40 mV			4500	ns	10 Mbps
t ₂₇	LEDn Delay Time			25	ms	LEDn Programmed For Activity
t ₂₈	LEDn Pulse Width	80		105	ms	LEDn Programmed For Activity

Figure 16 Transmit Timing - 100 Mbps



RMII 100 Mbps

Same as MII 100 Mbps except:

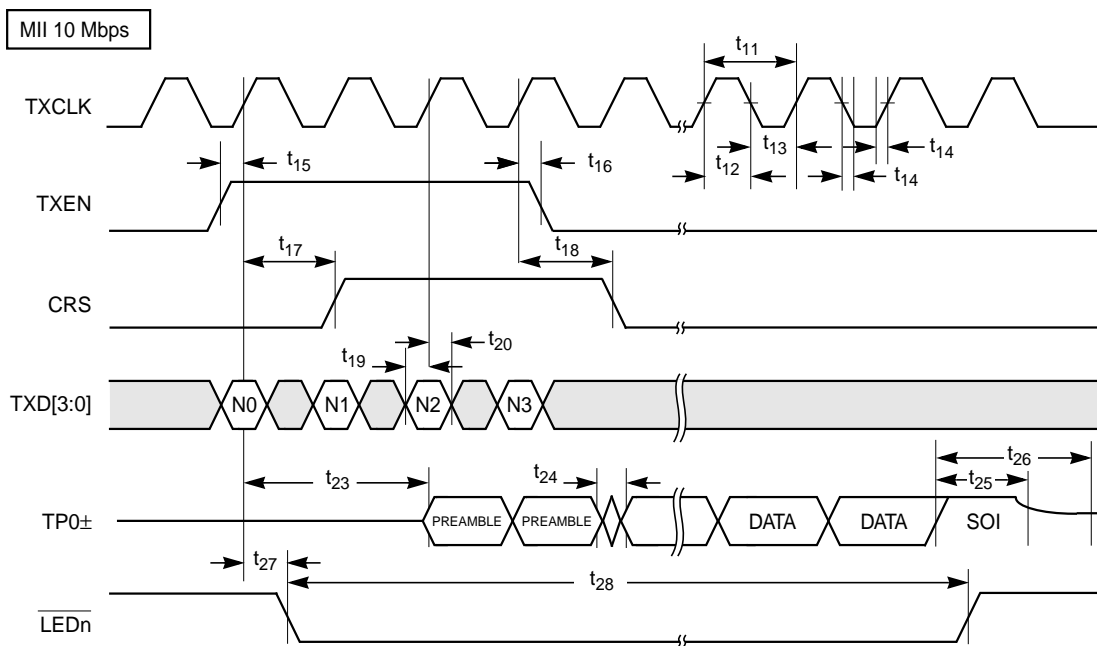
1. Data Input on TXD[1:0]; TXD[3:2] Not Used.
2. All Timing Referenced to CLKIN instead of TXCLK

FBI 100 Mbps

Same as MII 100 Mbps except:

1. TXER Converted to TXD4.
2. RXER Converted to RXDA

Figure 17 Transmit Timing - 10 Mbps



RMII 10 Mbps

Same as MII 10 Mbps except:

1. Data Input on TXD[1:0]; TXD[3:2] Not Used.
2. All Timing Referenced to CLKIN instead of TXCLK.
3. Each data Di-Bit on TXD[1:0] is present for 10 consecutive CLKIN cycles.

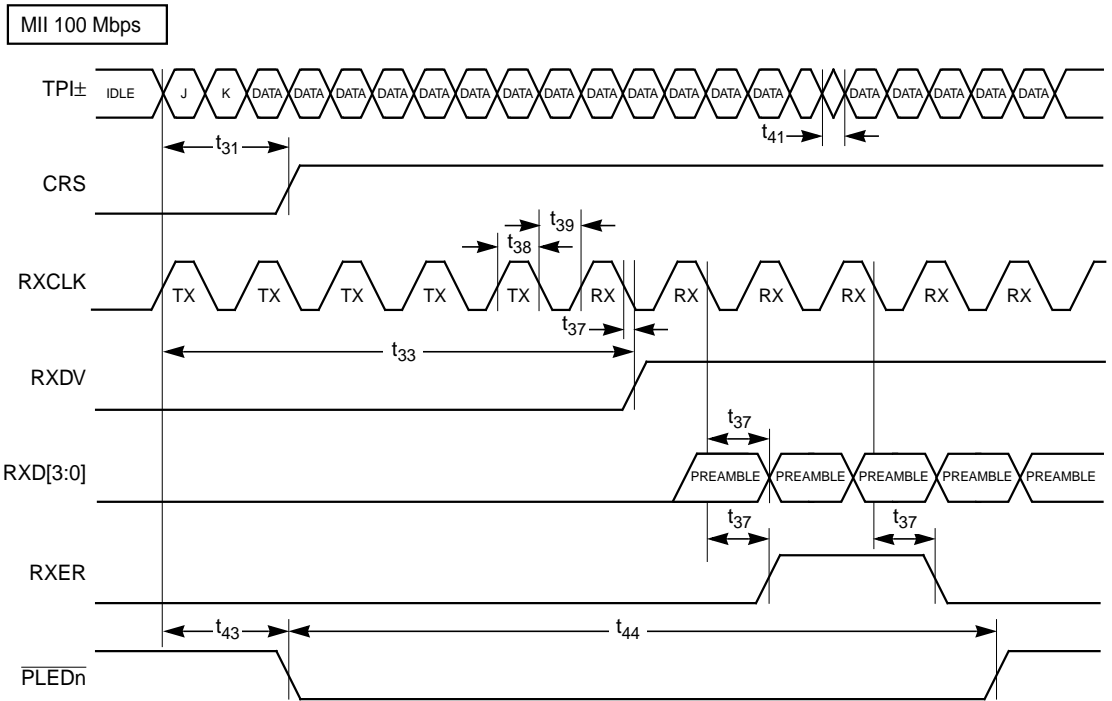
5.9 Receive Timing Characteristics

Refer to [Figure 18](#) through [Figure 24](#) for Timing Diagrams

Sym.	Parameter	Limit			Unit	Conditions
		Min	Typ	Max		
t ₃₁	Start of Packet to CRS Assert Delay			200	ns	100 Mbps, MII
				200	ns	100 Mbps, RMII
				700	ns	10 Mbps
t ₃₂	End of Packet to CRS Deassert Delay	130		240	ns	100 Mbps, MII
				280	ns	100 Mbps RMII
				600	ns	10 Mbps, MII. Relative to Start of SOI Pulse
				1000	ns	10 Mbps, RMII. Relative to Start of SOI Pulse
t ₃₃	Start of Packet to RXDV Assert Delay			240	ns	100 Mbps
				3600	ns	10 Mbps
t ₃₄	End of Packet to RXDV Deassert Delay			280	ns	100 Mbps, MII
				360	ns	100 Mbps, RMII
				1000	ns	10 Mbps, MII. Relative to Start of SOI Pulse
				2800	ns	10 Mbps, RMII. Relative to Start of SOI Pulse
t ₃₇	RXCLK to RXDV RXD, RXER Delay	-8		8	ns	100 Mbps, MII
		-4		2	ns	100 Mbps and 10 Mbps, RMII
		-80		80	ns	10 Mbps, MII
t ₃₈	RXCLK High Time	18	20	22	ns	100 Mbps
		180	200	600	ns	10 Mbps
t ₃₉	RXCLK Low Time	18	20	22	ns	100 Mbps
		180	200	600	ns	10 Mbps
t ₄₀	SOI Pulse Minimum Width Required for Idle Detection	125		200	ns	10 Mbps Measured TPIP/N from last zero cross to 0.3 V point.
t ₄₁	Receive Input Jitter			2.0	ns pk-pk	100 Mbps
				13.5	ns pk-pk	10 Mbps
t ₄₃	$\overline{\text{LEDn}}$ Delay Time			25	ms	$\overline{\text{LEDn}}$ Programmed for Activity

Sym.	Parameter	Limit			Unit	Conditions
		Min	Typ	Max		
t ₄₄	LEDn Pulse Width	60		105	ms	LEDn Programmed for Activity
t ₄₅	RXCLK, RXD, CRS, RXDV, RXER Output Rise and Fall Times			10	ns	

Figure 18 Receive Timing, Start of Packet - 100 Mbps, MII & FBI



FBI 100 Mbps

- Same as MII 100 Mbps except:
1. RXER Converted to RXD4.
 2. TXER Converted to TXD4.

Figure 19 Receive Timing, Start of Packet - 100 Mbps, RMII

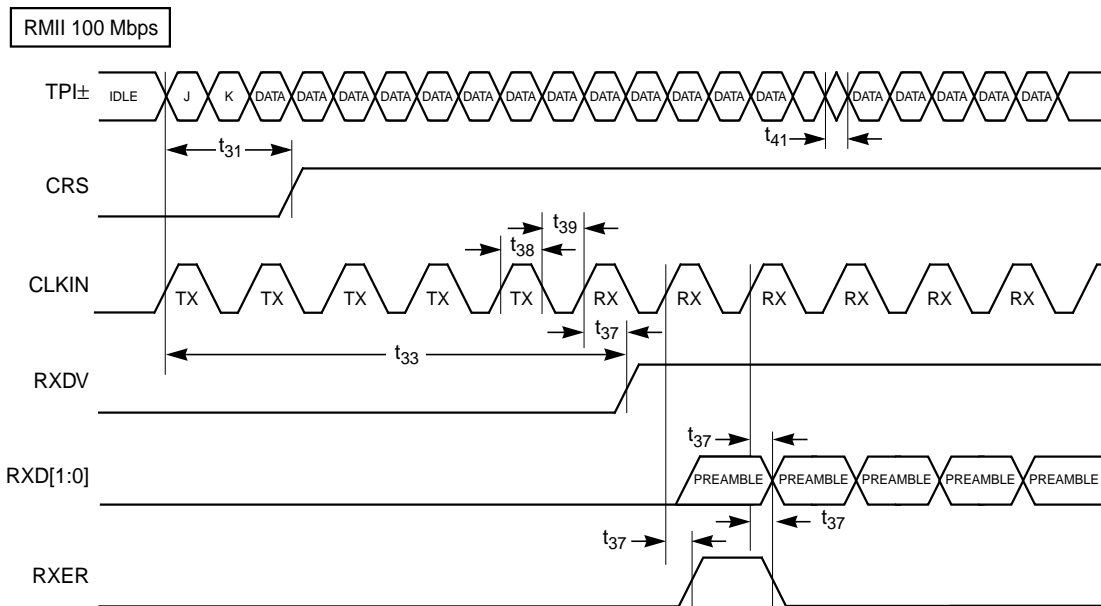


Figure 20 Receive Timing, End of Packet - 100 Mbps

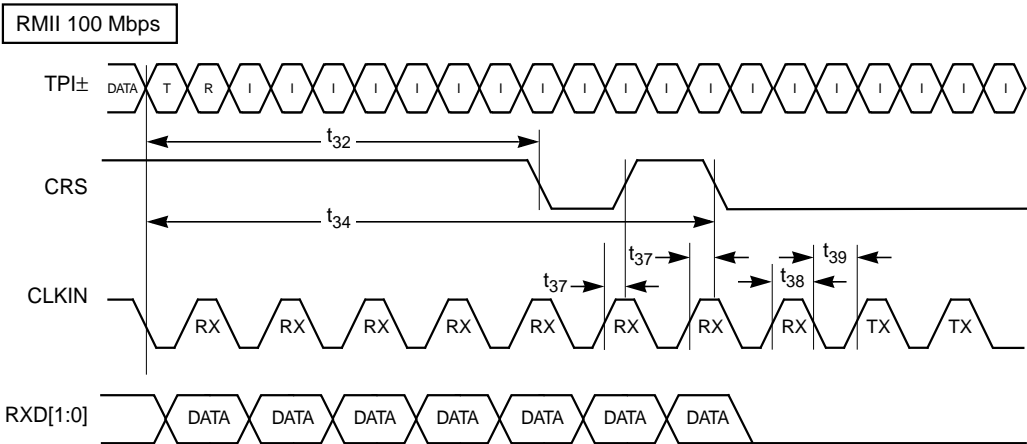
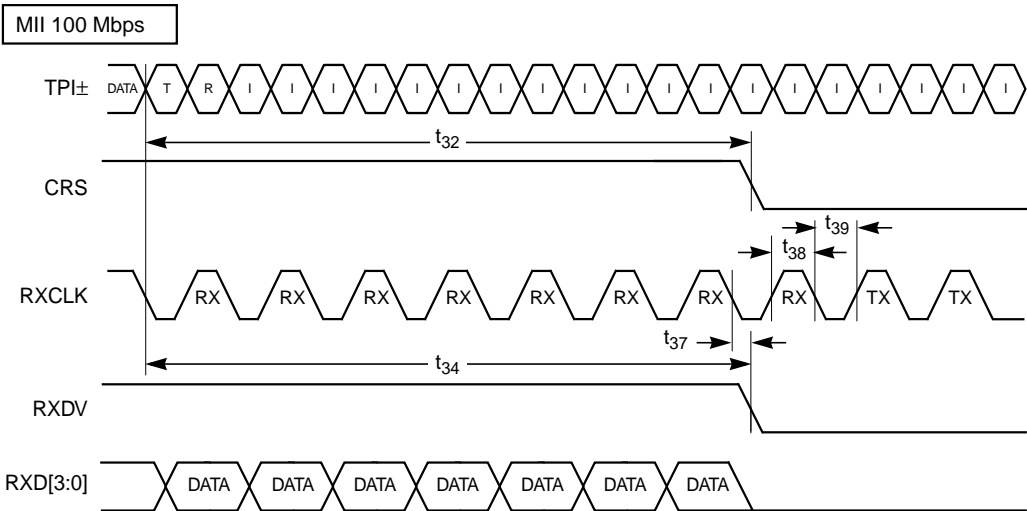


Figure 21 Receive Timing, Start of Packet - 10 Mbps, MII

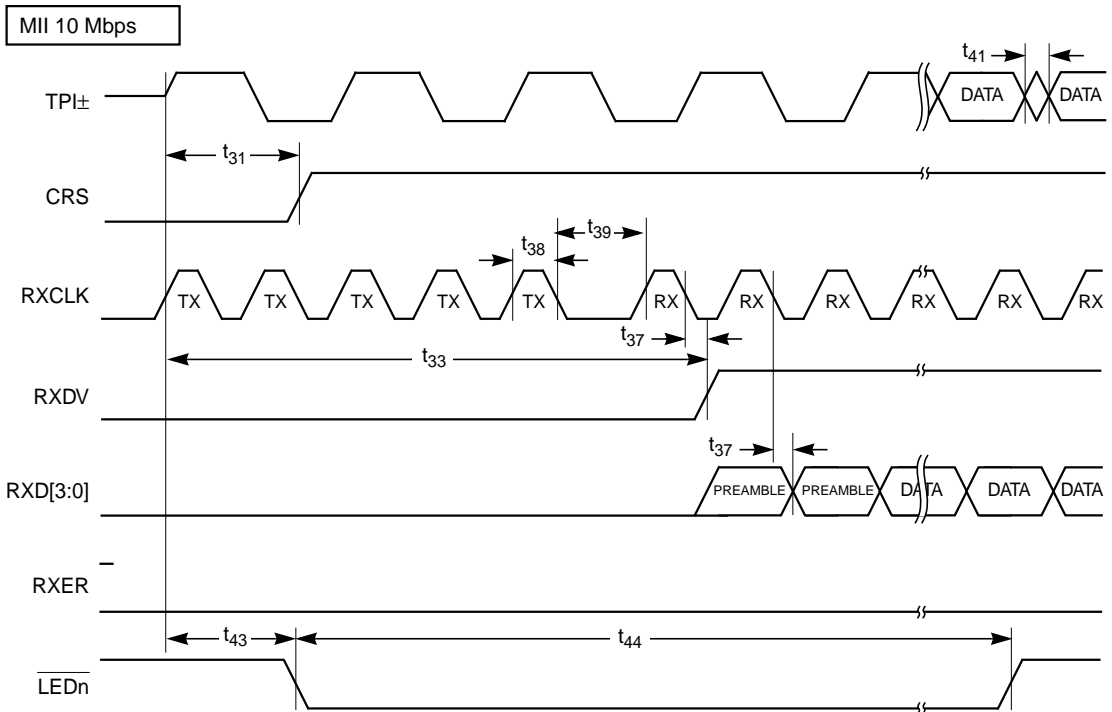
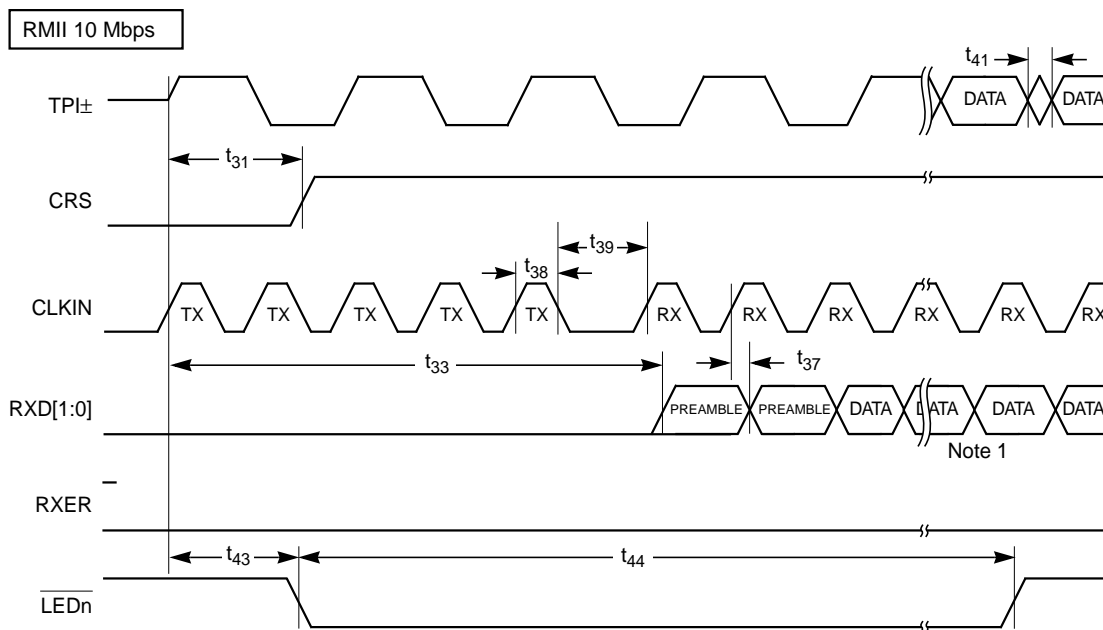


Figure 22 Receive Timing, Start of Packet - 10 Mbps, RMII



Note 1. Each Di-Bit is present on RXD[1:0] for 10 consecutive CLKIN cycles.

Figure 23 Receive Timing, End of Packet - 10 Mbps, MII

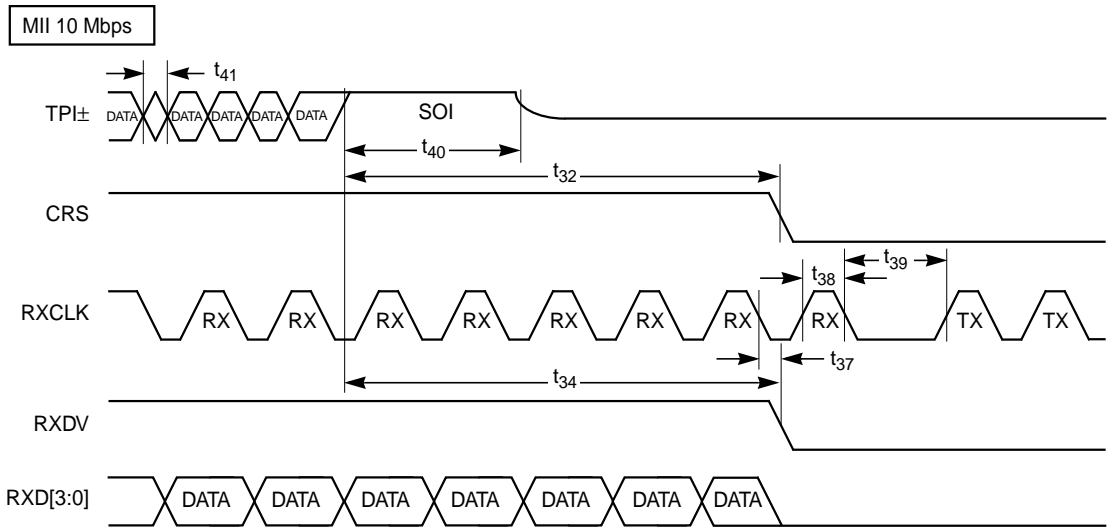
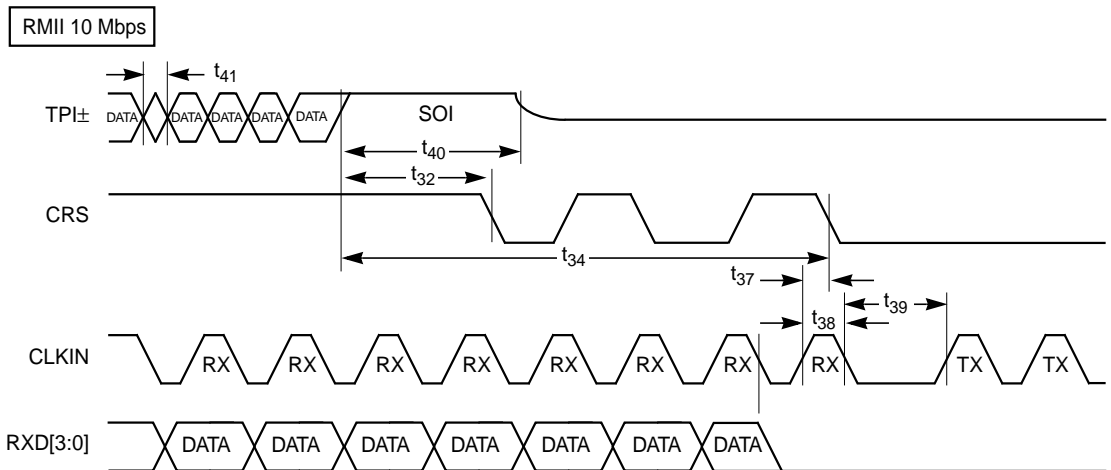


Figure 24 Receive Timing, End of Packet - 10 Mbps, RMII

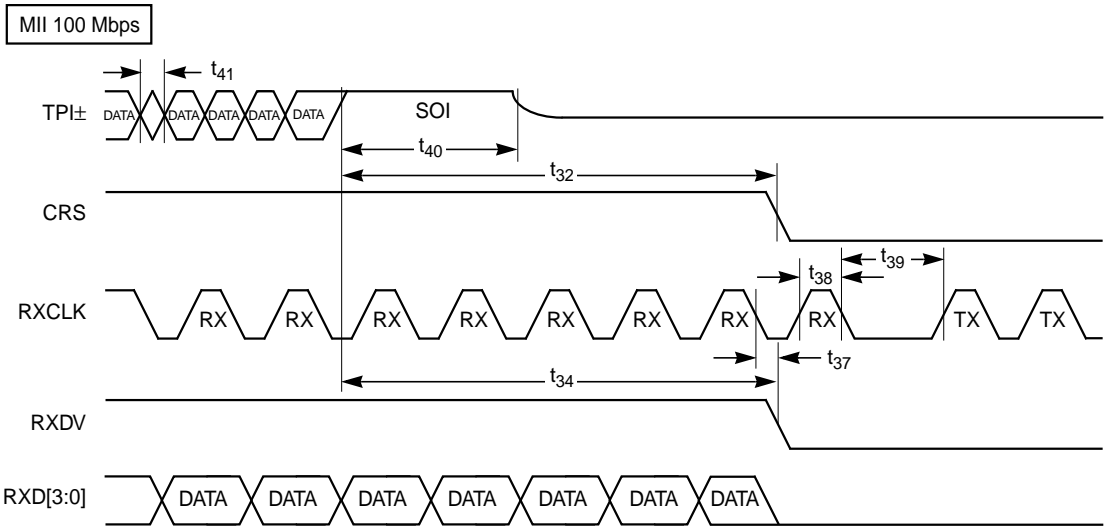


5.10 Collision Timing Characteristics

Refer to [Figure 25](#), [Figure 26](#), and [Figure 27](#) for Timing Diagrams

Sym.	Parameter	Limit			Unit	Conditions
		Min	Typ	Max		
t ₅₁	Rcv Packet Start to COL Assert Time			200	ns	100 Mbps
				700	ns	10 Mbps
t ₅₂	Rcv Packet Stop to COL Deassert Time	130		240	ns	100 Mbps
				300	ns	10 Mbps
t ₅₃	Mt Packet Start to COL Assert Time			200	ns	100 Mbps
				700	ns	10 Mbps
t ₅₄	Xmt Packet Stop to COL Deassert Time			240	ns	100 Mbps
				300	ns	10 Mbps
t ₅₅	LED _n Delay Time			25	ms	LED _n programmed for collision
t ₅₆	LED _n Pulse Time	80		105	ms	LED _n programmed for collision
t ₅₇	Collision Test Assert Time			5120	ns	
t ₅₈	Collision Test Deassert Time			40	ns	
				800	ns	10 Mbps
t ₆₀	COL Rise and Fall Time			10	ns	

Figure 25 Collision Timing, Receive



FBI 100 Mbps
Same as MII 100 Mbps

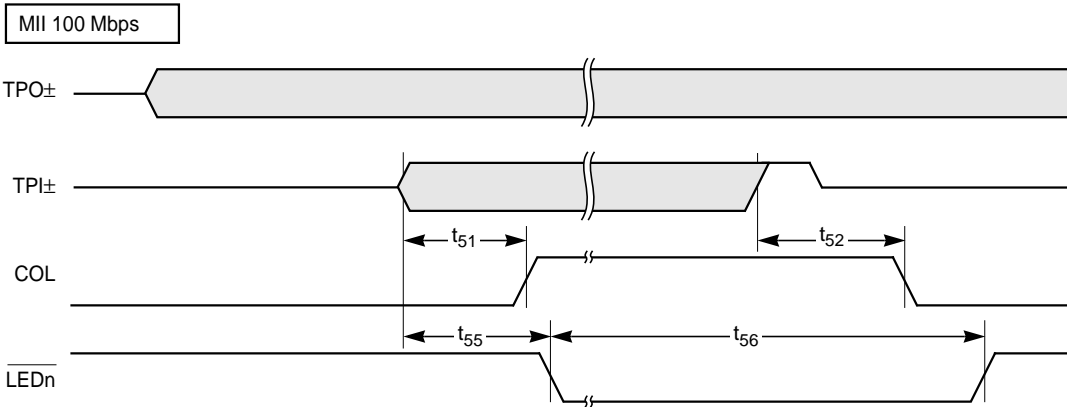
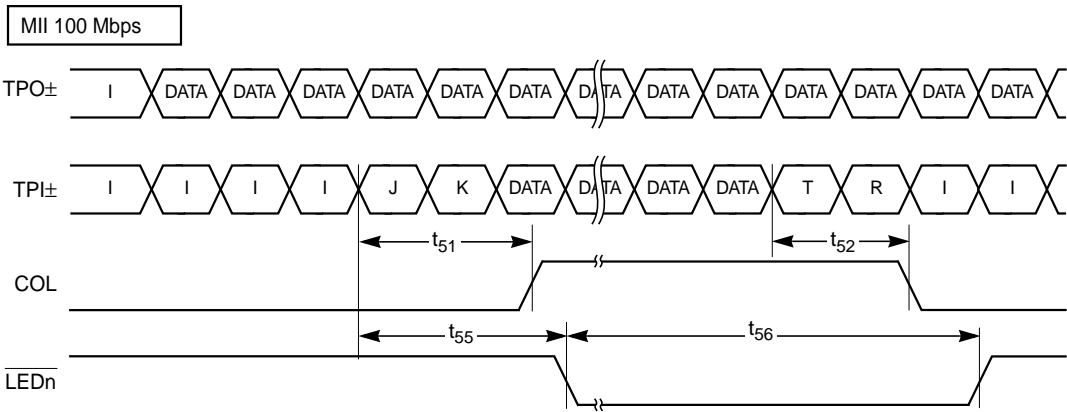


Figure 26 Collision Timing, Transmit



FBI 100 Mbps
Same as MII 100 Mbps

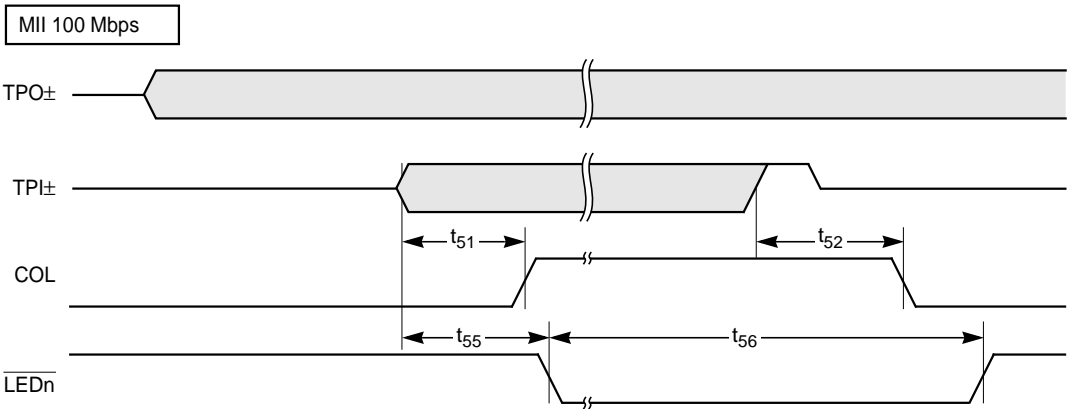
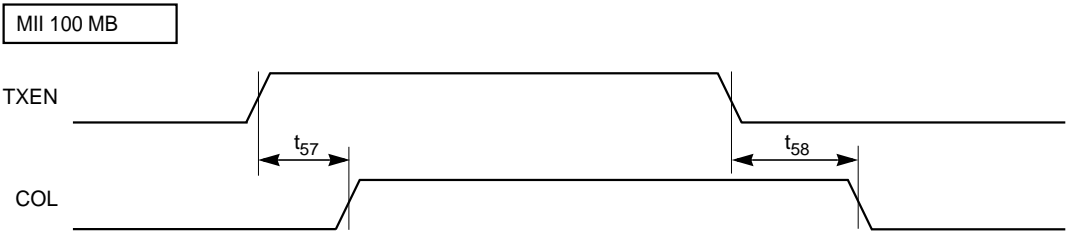


Figure 27 Collision Test Timing



5.11 Link Pulse Timing Characteristics

Refer to [Figure 28](#) and [Figure 29](#) for Timing Diagrams

Sym.	Parameter	Limit			Unit	Conditions
		Min	Typ	Max		
t ₆₁	NLP Transmit Link Pulse Width	See Figure 8			ns	
t ₆₂	NLP Transmit Link Pulse Period	8		24	ms	
t ₆₃	NLP Receive Link Pulse Width Required For Detection	50			ns	
t ₆₄	NLP Receive Link Pulse Minimum Period Required For Detection	6		7	ms	link_test_min
t ₆₅	NLP Receive Link Pulse Maximum Period Required For Detection	50		150	ms	link_test_max link_loss
t ₆₆	NLP Receive Link Pulses Required To Exit Link Fail State	3	3	3	Link Pulses	lc_max
t ₆₇	FLP Transmit Link Pulse Width	100		150	ns	
t ₆₈	FLP Transmit Clock Pulse To Data Pulse Period	55.5	62.5	69.5	μs	interval_timer
t ₆₉	FLP Transmit Clock Pulse To Clock Pulse Period	111	125	139	μs	
t ₇₀	FLP Transmit Link Pulse Burst Period	8		22	ms	transmit_link_burst_timer
t ₇₁	FLP Receive Link Pulse Width Required For Detection	50			ns	
t ₇₂	FLP Receive Link Pulse Minimum Period Required For Clock Pulse Detection	5		25	μs	flp_test_min_timer
t ₇₃	FLP Receive Link Pulse Maximum Period Required For Clock Pulse Detection	165		185	μs	flp_test_max_timer
t ₇₄	FLP Receive Link Pulse Minimum Period Required For Data Pulse Detection	15		47	μs	data_detect_min_timer
t ₇₅	FLP Receive Link Pulse Maximum Period Required For Data Pulse Detection	78		100	μs	data_detect_max_timer
t ₇₆	FLP Receive Link Pulses Required To Detect Valid FLP Burst	17		17	Link Pulses	

Sym.	Parameter	Limit			Unit	Conditions
		Min	Typ	Max		
t ₇₇	FLP Receive Link Pulse Burst Minimum Period Required For Detection	5		7	ms	nlp_test_min_timer
t ₇₈	FLP Receive Link Pulse Burst Maximum Period Required For Detection	50		150	ms	nlp_test_max_timer
t ₇₉	FLP Receive Link Pulses Bursts Required To Detect AutoNegotiation Capability	3	3	3	Link Pulse Bursts	
t ₈₀	FLP Receive Acknowledge Fail Period	1200		1500	ms	
t ₈₁	FLP Transmit Renegotiate Link Fail Period	1200		1500	ms	break_link_timer
t ₈₂	NLP Receive Link Pulse Maximum Period Required For Detection After FLP Negotiation Has Completed	750		1000	ms	link_fail_inhibit_timer

Figure 28 NLP Link Pulse Timing

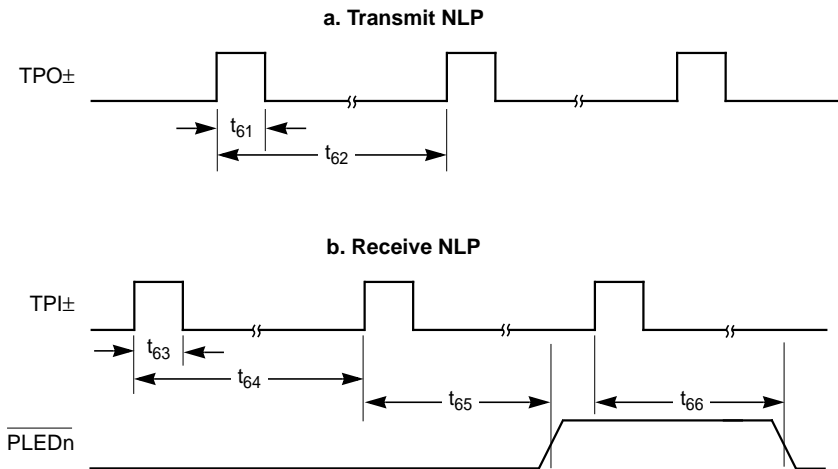
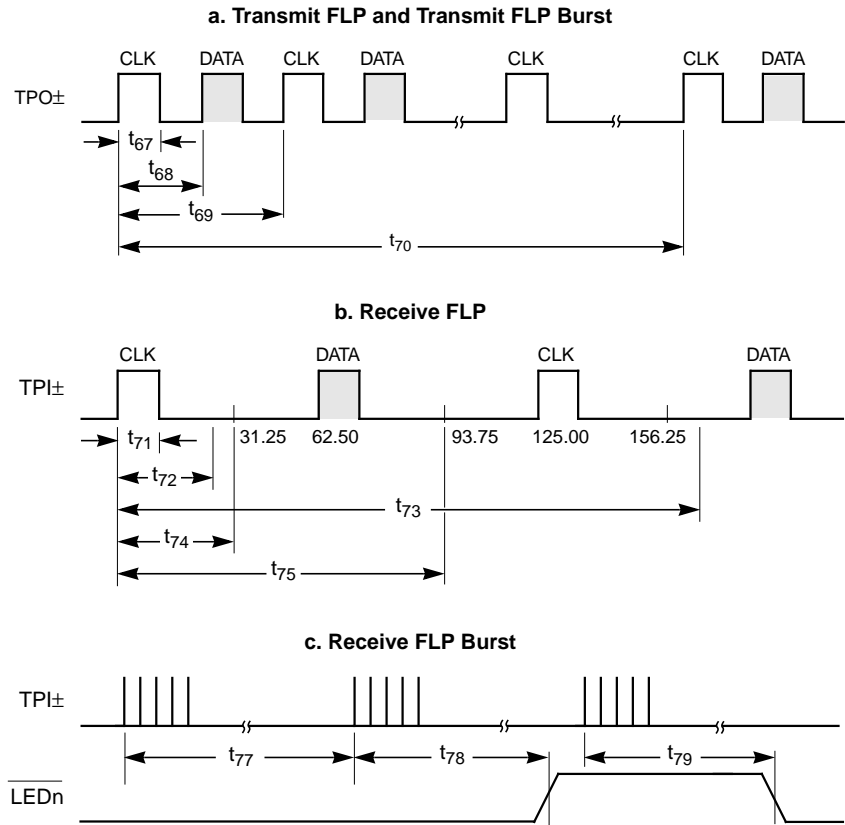


Figure 29 FLP Link Pulse Timing

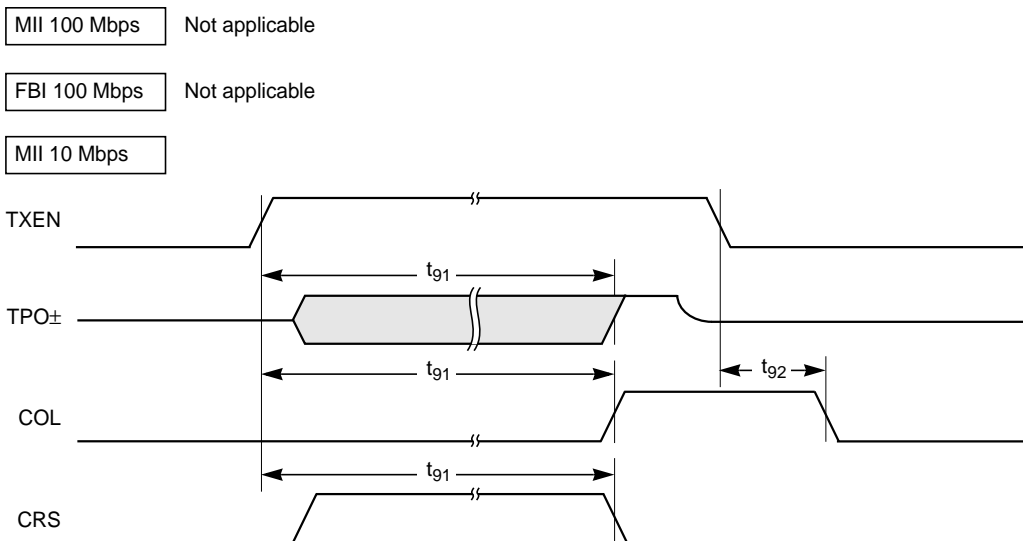


5.12 Jabber Timing Characteristics

Refer to [Figure 30](#) for Timing Diagram

Sym.	Parameter	Limit			Unit	Conditions
		Min	Typ	Max		
t_{g1}	Jabber Activation Delay Time	50		100	ms	10 Mbps
t_{g2}	Jabber Deactivation Delay Time	250		750	ms	10 Mbps

Figure 30 Jabber Timing

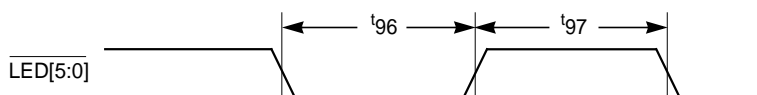


5.13 LED Driver Timing Characteristics

Refer to [Figure 31](#) for Timing Diagram

Sym.	Parameter	Limit			Unit	Conditions
		Min	Typ	Max		
t96	$\overline{\text{LED}}[3:0]$ On Time	80		105	ms	$\overline{\text{LED}}[3:0]$ Programmed to Blink
t97	$\overline{\text{LED}}[3:0]$ Off Time	80		105	ms	$\overline{\text{LED}}[3:0]$ Programmed to Blink

Figure 31 LED Driver Timing

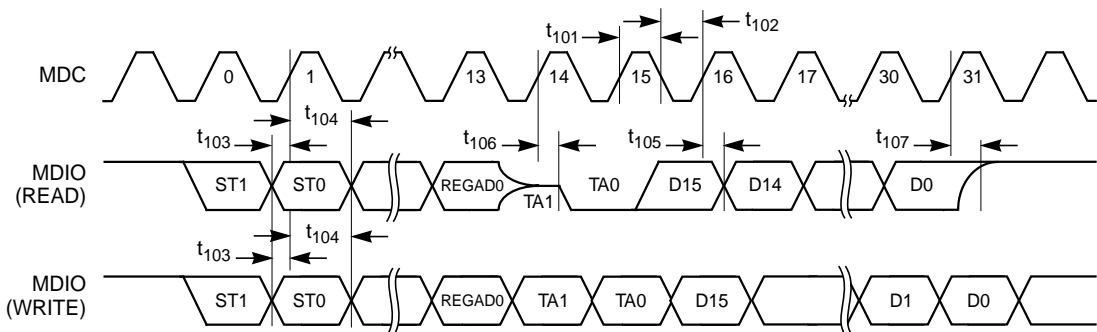


5.14 MI Serial Port Timing Characteristics

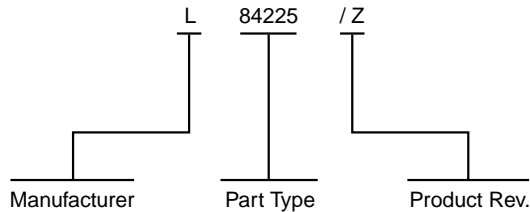
Refer to [Figure 32](#) for Timing Diagram

Sym.	Parameter	Limit			Unit	Conditions
		Min	Typ	Max		
t ₁₀₁	MDC High Time	20			ns	
t ₁₀₂	MDC Low Time	20			ns	
t ₁₀₃	MDIO Setup Time	10			ns	Write Bits
t ₁₀₄	MDIO Hold Time	10			ns	Write Bits
t ₁₀₅	MDC To MDIO Delay			20	ns	Read Bits
t ₁₀₆	MDIO Hi-Z To Active Delay			20	ns	Write-Read Bit Transition
t ₁₀₇	MDIO Active To Hi-Z Delay			20	ns	Read-Write Bit Transition
t ₁₀₈	Frame Delimiter (Idle)	32			Clocks	# of Consecutive MDC Clocks with MDIO=1
t ₁₁₀	MDC To MDIO Interrupt Pulse Assert Delay			100	ns	
t ₁₁₁	MDC To MDIO Interrupt Pulse Deassert Delay			100	ns	

Figure 32 MI Serial Port Timing



6 Ordering Information



Quad 100 Base-TX/FX10 Base-T
Physical Layer Device (PHY)

7 Revision History

March 2, 1999:

- MD400183/- has been changed to MD400183/A
- Global: References to $\overline{\text{JAM}}$ have been changed to $\overline{\text{AD_REV}}$, and $\overline{\text{MDINT}}$ has been changed to $\overline{\text{REGDEF}}$.

[page 7](#)

- Pin #98, Row has been completely changed.

[page 8](#)

- Pin #110, I/O, "I Pulldown" has been changed to "I."

[page 9](#)

- Pin #101, Pin Name RMII_EN has been changed to $\overline{\text{RMII_EN}}$.

[page 12, Figure 1](#)

- References to $\overline{\text{JAM}}$ and $\overline{\text{MDINT}}$ have been changed to $\overline{\text{AD_REV}}$ and $\overline{\text{REGDEF}}$, respectively.

[page 55, Section 2.25.7, "Invalid Registers"](#)

- [Section 2.25.7, "Invalid Registers,"](#) is new.

[page 57, Table 8.](#) MI Serial Port Structure

- Symbol REGAD4[4:0] Definition, “copy, ...If $\overline{\text{REGDEF}}$ pin asserted and...” has been deleted.

[page 59, Table 9.](#) MI Serial Port Register Map

- Bit x.7, 18 Channel Status Output, INT has been changed to 0.
- Bit x.10, 4 AutoNegot. Advertisement, 0 has been changed to PAUSE.
- Bit x.10, 5 AutoNegot. Remote Capability, 0 has been changed to PAUSE.

[page 64, Table 14](#) Register 4 - AutoNegotiation Advertisement Register Definition

- Bit 4.10 has been changed from 0 to PAUSE.
- Row 4.10 has been added.

[page 65, Table 15](#) Register 5 - AutoNegotiation Remote Capability Definition

- Bit 5.10 has been changed from 0 to PAUSE.
- Row 5.10 has been added.

[page 68, Table 18](#) Register 18 - Channel Status Output Register Definition

- Bit 18.7, is now blank.
- Row Bit 18.7, Symbol is now blank, Name is now blank, Definition has been changed to Reserved.

[page 73, Figure 11.](#) Typical Switching Hub Port Schematic Using the L84225 in Twisted Pair Mode

- References to $\overline{\text{JAM}}$ and $\overline{\text{MDINT}}$ have been changed to $\overline{\text{AD_REV}}$ and $\overline{\text{REGDEF}}$, respectively.

[page 74, Figure 12.](#) Typical Switching Hub Port Schematic Using the L84225 in FX Mode with 3.3V Transceivers

- References to $\overline{\text{JAM}}$ and $\overline{\text{MDINT}}$ have been changed to $\overline{\text{AD_REV}}$ and $\overline{\text{REGDEF}}$, respectively.

[page 105, Section 5.10, "Collision Timing Characteristics"](#)

- Any references to Jam have been deleted.
- Row t_{59} has been deleted.

[page 109, Jam Timing figure](#)

- Jam Timing figure has been deleted.

[page 109, Figure 28. NLP Link Pulse Timing](#)

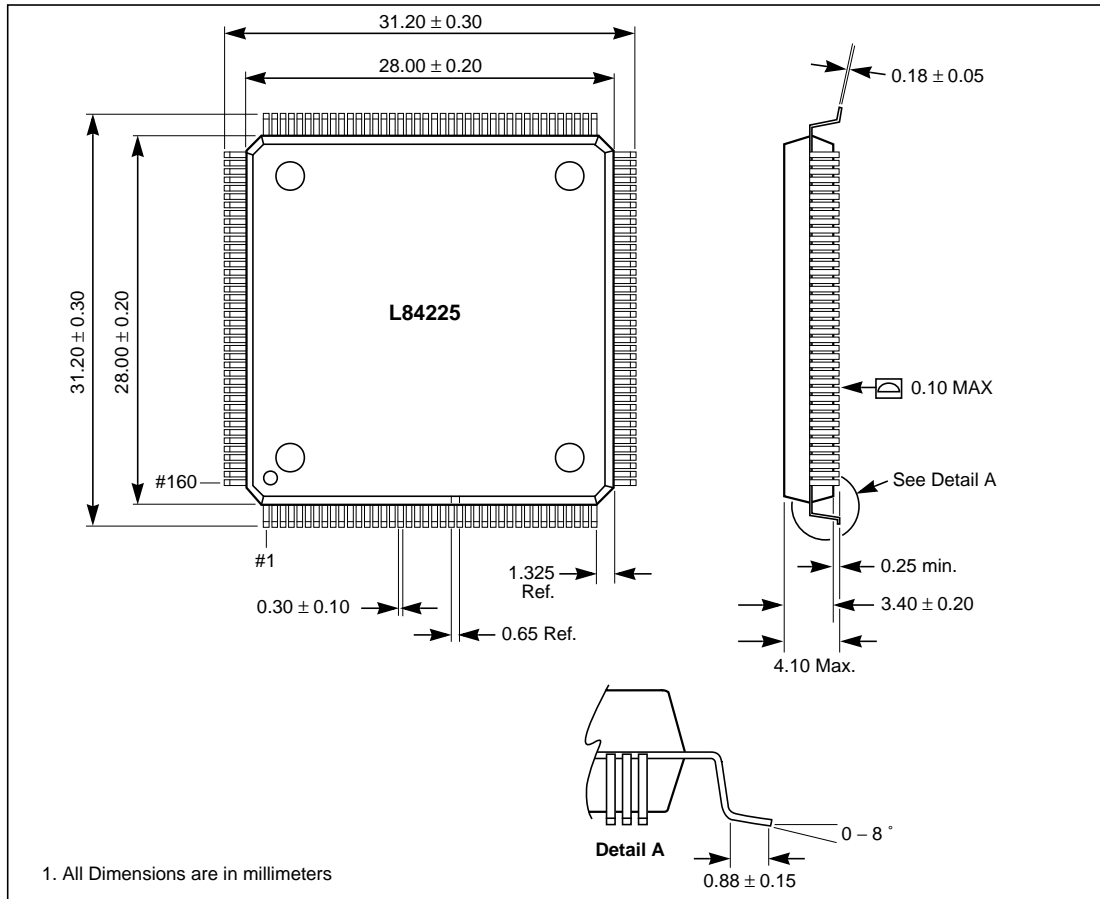
- [Figure 28. NLP Link Pulse Timing](#) is new.

April, 2002:

- MD400183/A has been changed to MD400183/B
- Document has been reformatted with a standard LSI template.
- Tables and Figures have been renumbered to make a continuous numeric sequence. All internal cross-references to tables and figures have been updated.
- All references to SEEQ have been removed.
- All "84225" were changed to "L84225."
- In [Section 2.25.6, "Register Structure," page 54](#), descriptions of Global Configuration and Channel Configuration registers were updated to note that these registers are now reserved.

8 Surface Mount Packages

Figure 33 160-Pin PQFP



Important: This drawing may not be the latest version.

Headquarters

LSI Logic Corporation
North American Headquarters
Milpitas CA
Tel: 408.433.8000
Fax: 408.433.8989

LSI Logic Europe Ltd
European Headquarters
Bracknell England
Tel: 44.1344.426544
Fax: 44.1344.481039

LSI Logic K.K.
Headquarters
Tokyo Japan
Tel: 81.3.5463.7821
Fax: 81.3.5463.7820

Visit us at our web site: <http://www.lsilogic.com>

ISO 9000 Certified

The LSI Logic logo design is a registered trademark of LSI Logic Corporation. All other brand and product names may be trademarks of their respective companies.

LSI Logic Corporation reserves the right to make changes to any products and services herein at any time without notice. LSI Logic does not assume any responsibility or liability arising out of the application or use of any product or service described herein, except as expressly agreed to in writing by LSI Logic; nor does the purchase, lease, or use of a product or service from LSI Logic convey a license under any patent rights, copyrights, trademark rights, or any other of the intellectual property rights of LSI Logic or of third parties.

Doc. No. MD400183/B
