

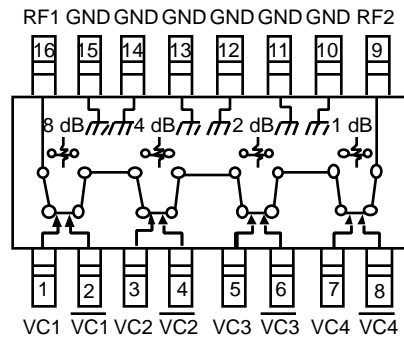


### Absolute Maximum Ratings

Parameter	Absolute Maximum <sup>1</sup>
Max. Input Power 50 MHz	+27 dBm
500-2000 MHz	+34 dBm
Control Voltage	+5 V, -8.5 V
Operating Temperature	-40°C to +85°C
Storage Temperature	-65°C to +150°C

1.Operation of this device above any one of these parameters may cause permanent damage.

### Functional Schematic



### Pin Configuration

Pin	Description	Pin No.	Description
1	VC1	9	RF2
2	$\overline{VC1}$	10	GND
3	VC2	11	GND
4	$\overline{VC2}$	12	GND
5	VC3	13	GND
6	$\overline{VC3}$	14	GND
7	VC4	15	GND
8	$\overline{VC4}$	16	RF1

### Truth Table

Control Inputs								Attenuation (dB)
$\overline{VC4}$	VC4	$\overline{VC3}$	VC3	$\overline{VC2}$	VC2	$\overline{VC1}$	VC1	
1	0	1	0	1	0	1	0	Reference
0	1	1	0	1	0	1	0	1 dB
1	0	0	1	1	0	1	0	2 dB
1	0	1	0	0	1	1	0	4 dB
1	0	1	0	1	0	0	1	8 dB
0	1	0	1	0	1	0	1	15 dB

"0" = Vin Low, Vin Low = 0V, "1" = Vin High, Vin High = -5V  
 "0" = 0 to -0.2V @ 20µA Max  
 "1" = -5V @ 10 µA typ to -8V @ 200 µA Max

### Typical Performance

