

# Fiber Optics

## MT108SL-UR3

### Applications -

- Bar Code Scanning
- Fiber Optics
- Optical Switch

### Features -

- Visible Light Emitter
- Excellent Optical/Mechanical Axis Alignment
- Optical Grade Glass Lens

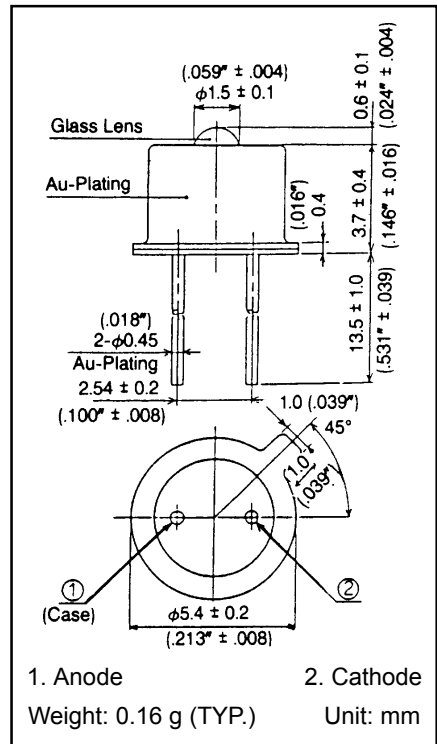
### MAXIMUM RATINGS (Ta = 25°C)

CHARACTERISTIC	SYMBOL	RATING	UNIT
Forward Current	$I_F$	50	mA
Reverse Voltage	$V_R$	5	V
Pulse Forward Current	$I_{FP}$	0.3*	A
Power Dissipation	$P_D$	140	mW
Operating Temperature	$T_{opr}$	-20~80	°C
Storage Temperature	$T_{stg}$	-30~100	°C

\*  $t_w = 10\mu s$ ,  $T = 10mS$

### OPTO-ELECTRICAL CHARACTERISTICS (Ta = 25°C)

CHARACTERISTIC	SYMBOL	TEST CONDITION	MIN.	TYP.	MAX.	UNIT
Power Output	PO	IF = 20mA	0.3	0.6	—	mW
Forward Voltage	$V_F$	IF = 20mA	—	1.8	2.2	V
Reverse Current	$I_R$	VR = 5V	—	—	100	$\mu A$
Peak Wavelength	$\lambda_p$	IF = 20mA	—	660	—	nm
Spectral Line Half Width	$\Delta\lambda$	IF = 20mA	—	25	—	nm
Viewing Angle	$\theta$	—	—	24	—	°
PO Temperature Coefficient	TC of PO	IF = 10mA	—	-0.5	—	% / °C
VF Temperature Coefficient	TC of $V_F$	IF = 10mA	—	-1.5	—	mV / °C
Junction Capacitance	$C_j$	V = 0V, 1MHz	—	20	—	pF



120 Broadway • Menands, New York 12204

Toll Free: (800) 98-4LEDS • Fax: (518) 432-7454

# Fiber Optics

## MT108SL-UR3 Graphs -

