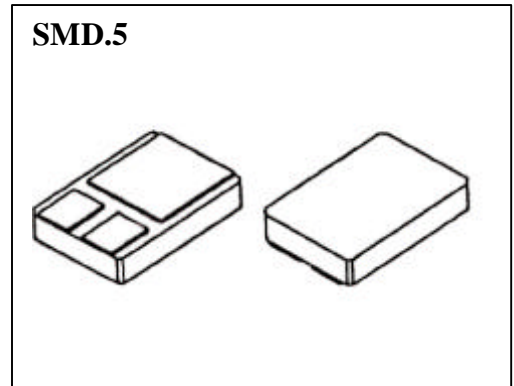


PPR1510E
45 VOLTS, 10 AMP
SCHOTTKY RECTIFIER

DESIGNER'S DATA SHEET

FEATURES:

- **Low Reverse Leakage**
- **Low Forward Voltage Drop**
- **TX, TXV and Space Level Screening Available**
- **Hermetically Sealed Power Surface Mount Package**
- **Guard Ring for Overvoltage protection**
- **Eutectic Die Attach**
- **175 °C Operating Temperature**



MAXIMUM RATINGS

RATING	SYMBOL	VALUE	UNIT
Peak Repetitive Reverse and DC Blocking Voltage	V_{RRM} V_{RWN} V_R	100	Volts
Average Rectified Forward Current (Resistive Load, 60Hz, Sine Wave, TA = 25°C)	I_o	15	Amps
Peak Surge Current (8.3 ms Pulse, TA = 25°C)	I_{FSM}	250	Amps
Operating and storage temperature	Top & Tstg	-55 to + 175	°C
Maximum Thermal Resistance Junction to Case	R_{qJC}	2.0	°C/W

FOR MORE INFORMATION CALL 1-800-327-6183

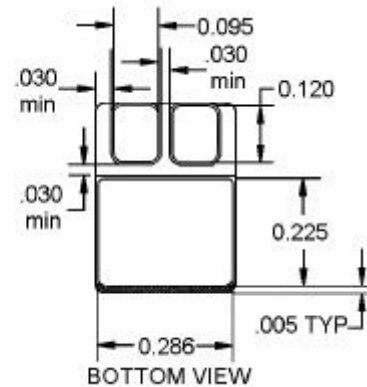
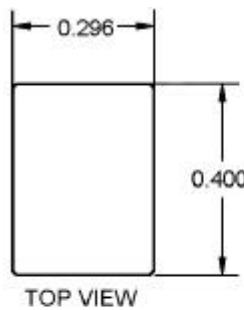
ELECTRICAL CHARACTERISTICS

CHARACTERISTICS	SYMBOL	MAX.	UNIT
Instantaneous Forward Voltage Drop ($I_F = 5 \text{ Adc}$, $T_A = 25^\circ\text{C}$, 300 μs Pulse) ($I_F = 10 \text{ Adc}$, $T_A = 25^\circ\text{C}$, 300 μs Pulse)	V_{F1}	0.780 1.10	Vdc
Instantaneous Forward Voltage Drop ($I_F = 5 \text{ Adc}$, $T_A = 100^\circ\text{C}$, 300 μs Pulse)	V_{F2}	0.870	Vdc
Reverse Leakage Current (Rated VR, $T_A = 25^\circ\text{C}$, 300 μs pulse minimum)	I_{R1}	100	mA
Reverse Leakage Current (Rated VR, $T_A = 100^\circ\text{C}$, 300 μs pulse minimum)	I_{R2}	10	mA
Junction Capacitance $V_R = 10 \text{ V}$, $T_A = 25^\circ\text{C}$, $f = 1 \text{ MHz}$)	C_J	800	pF

CASE OUTLINE: SMD.5

PIN OUT:

- PIN 1: CATHODE**
- PIN 2: ANODE**
- PIN 3: ANODE**



TYPICAL OPERATING CURVES
 ($T_A = 25^\circ\text{C}$ Unless otherwise specified)

