

# MITSUBISHI MICROCOMPUTERS M37220M3-XXXSP

SINGLE-CHIP 8-BIT CMOS MICROCOMPUTER for VOLTAGE SYNTHESIZER  
with ON-SCREEN DISPLAY CONTROLLER

## DESCRIPTION

The M37220M3-XXXSP is a single-chip microcomputer designed with CMOS silicon gate technology. It is housed in a 42-pin shrink plastic molded DIP.

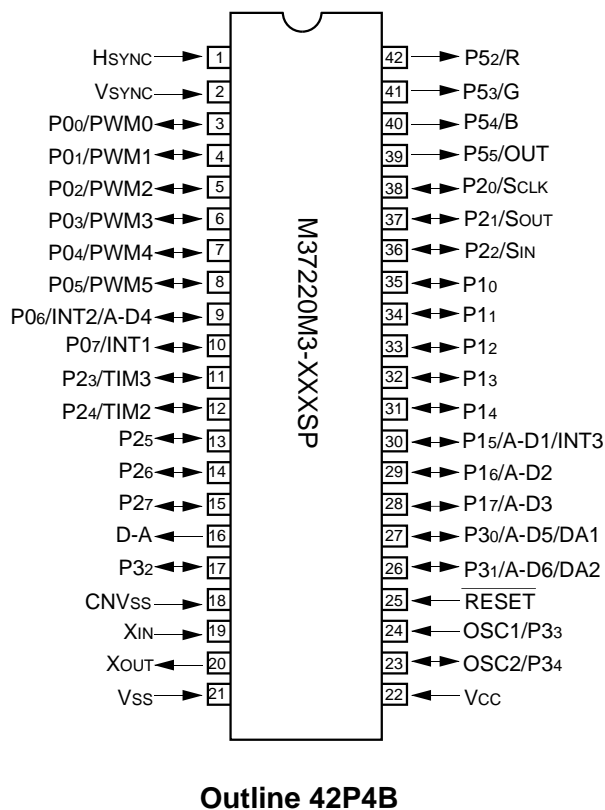
In addition to their simple instruction sets, the ROM, RAM and I/O addresses are placed on the same memory map to enable easy programming.

The M37220M3-XXXSP has a PWM output function and a OSD display function, so it is useful for a channel selection system for TV.

## FEATURES

- Number of basic instructions ..... 71
- Memory size
  - ROM ..... 12 K bytes
  - RAM ..... 256 bytes
  - ROM for display ..... 4 K bytes
  - RAM for display ..... 80 bytes
- The minimum instruction execution time ..... 0.5 $\mu$ s (at 8 MHz oscillation frequency)
- Power source voltage ..... 5 V  $\pm$  10 %
- Power dissipation ..... 165 mW (at 8 MHz oscillation frequency, V<sub>CC</sub>=5.5V, at CRT display)
- Subroutine nesting ..... 96 levels (maximum)
- Interrupts ..... 13 types, 13 vectors
- 8-bit timers ..... 4
- Programmable I/O ports (Ports P0, P1, P2, P30-P32) ..... 27
- Input ports (Ports P33, P34) ..... 2
- Output ports (Ports P52-P55) ..... 4
- 12 V withstand ports ..... 6
- LED drive ports ..... 4
- Serial I/O ..... 8-bit X 1 channel
- A-D comparator (6-bit resolution) ..... 6 channels
- D-A converter (6-bit resolution) ..... 2
- PWM output circuit ..... 14-bit X 1, 8-bit X 6

## PIN CONFIGURATION (TOP VIEW)



## • CRT display function

- Number of display characters ..... 24 characters X 2 lines (16 lines maximum)
- Kinds of characters ..... 128 kinds
- Dot structure ..... 12 X 16 dots
- Kinds of character sizes ..... 3 kinds
- Kinds of character colors (It can be specified by the character) maximum 7 kinds (R, G, B)
- Kinds of raster colors (maximum 7 kinds)
- Display position
  - Horizontal ..... 64 levels
  - Vertical ..... 128 levels
- Bordering (horizontal and vertical)

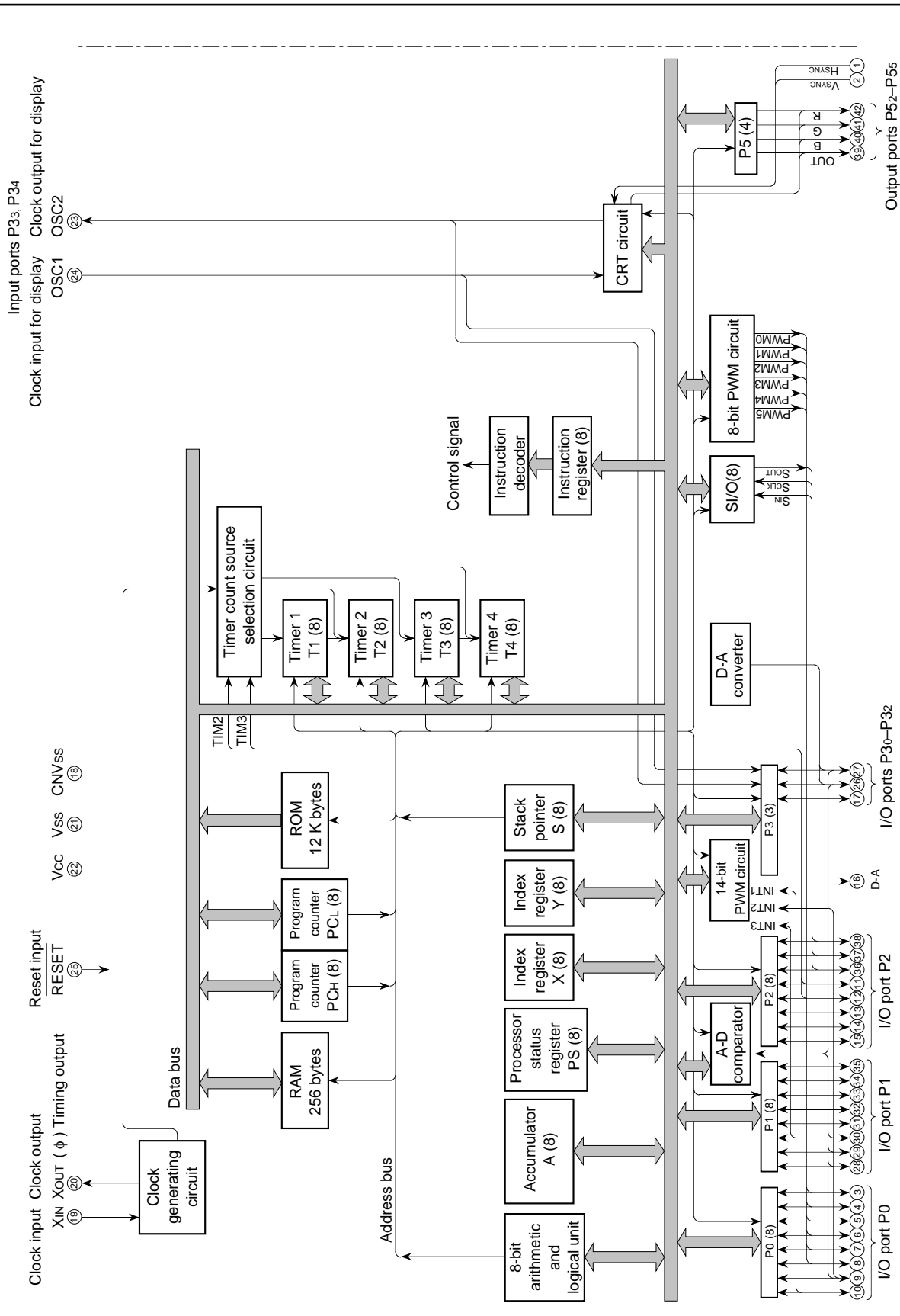
## APPLICATION

TV

**M37220M3-XXXSP**

SINGLE-CHIP 8-BIT CMOS MICROCOMPUTER for VOLTAGE SYNTHESIZER  
with ON-SCREEN DISPLAY CONTROLLER

**FUNCTIONAL BLOCK DIAGRAM of M37220M3-XXXSP**



SINGLE-CHIP 8-BIT CMOS MICROCOMPUTER for VOLTAGE SYNTHESIZER  
with ON-SCREEN DISPLAY CONTROLLER

**FUNCTIONS**

| Parameter                    |                                         | Functions                                                                                                                                                         |                                                                                                                                   |
|------------------------------|-----------------------------------------|-------------------------------------------------------------------------------------------------------------------------------------------------------------------|-----------------------------------------------------------------------------------------------------------------------------------|
| Number of basic instructions |                                         | 71                                                                                                                                                                |                                                                                                                                   |
| Instruction execution time   |                                         | 0.5 $\mu$ s (the minimum instruction execution time, at 8 MHz oscillation frequency)                                                                              |                                                                                                                                   |
| Clock frequency              |                                         | 8 MHz (maximum)                                                                                                                                                   |                                                                                                                                   |
| Memory size                  | ROM                                     | 12K bytes                                                                                                                                                         |                                                                                                                                   |
|                              | RAM                                     | 256 bytes                                                                                                                                                         |                                                                                                                                   |
|                              | CRT ROM                                 | 4K bytes                                                                                                                                                          |                                                                                                                                   |
|                              | CRT RAM                                 | 80 bytes                                                                                                                                                          |                                                                                                                                   |
| Input/Output ports           | P0                                      | I/O                                                                                                                                                               | 8-bit X 1 (N-channel open-drain output structure, can be used as PWM output pins, INT input pins, A-D input pin)                  |
|                              | P10–P17                                 | I/O                                                                                                                                                               | 8-bit X 1 (CMOS input/output structure, can be used as A-D input pins, INT input pin)                                             |
|                              | P20, P21                                | I/O                                                                                                                                                               | 2-bit X 1 (CMOS input/output or N-channel open-drain output structure, can be used as serial output pins)                         |
|                              | P22–P27                                 | I/O                                                                                                                                                               | 6-bit X 1 (CMOS input/output structure, can be used as serial input pin, external clock input pins)                               |
|                              | P30, P31                                | I/O                                                                                                                                                               | 2-bit X 1 (CMOS input/output or N-channel open-drain output structure, can be used as A-D input pins, D-A conversion output pins) |
|                              | P32                                     | I/O                                                                                                                                                               | 1-bit X 1 (N-channel open-drain output structure)                                                                                 |
|                              | P33, P34                                | Input                                                                                                                                                             | 2-bit X 1 (can be used as CRT display clock I/O pins)                                                                             |
|                              | P52–P55                                 | Output                                                                                                                                                            | 4-bit X 1 (CMOS output structure, can be used as CRT output pins)                                                                 |
| Serial I/O                   |                                         | 8-bit X 1                                                                                                                                                         |                                                                                                                                   |
| A-D comparatpr               |                                         | 6 channels (6-bit resolution)                                                                                                                                     |                                                                                                                                   |
| D-A converter                |                                         | 2 (6-bit resolution)                                                                                                                                              |                                                                                                                                   |
| PWM output circuit           |                                         | 14-bit X 1, 8-bit X 6                                                                                                                                             |                                                                                                                                   |
| Timers                       |                                         | 8-bit timer X 4                                                                                                                                                   |                                                                                                                                   |
| Subroutine nesting           |                                         | 96 levels (maximum)                                                                                                                                               |                                                                                                                                   |
| Interrupt                    |                                         | External interrupt X 3, Internal timer interrupt X 4, Serial I/O interrupt X 1, CRT interrupt X 1, XIN/4096 interrupt X 1, VSYNC interrupt X 1, BRK interrupt X 1 |                                                                                                                                   |
| Clock generating circuit     |                                         | 2 built-in circuits (externally connected a ceramic resonator or a quartz-crystal oscillator)                                                                     |                                                                                                                                   |
| Power source voltage         |                                         | 5 V $\pm$ 10 %                                                                                                                                                    |                                                                                                                                   |
| Power dissipation            | CRT ON                                  | 165 mW typ. (at oscillation frequency f <sub>CPU</sub> = 8 MHz, f <sub>CRT</sub> = 8 MHz)                                                                         |                                                                                                                                   |
|                              | CRT OFF                                 | 110 mW typ. (at oscillation frequency f <sub>CPU</sub> = 8 MHz)                                                                                                   |                                                                                                                                   |
|                              | In stop mode                            | 1.65 mW (maximum)                                                                                                                                                 |                                                                                                                                   |
| Operating temperature range  |                                         | –10 °C to 70 °C                                                                                                                                                   |                                                                                                                                   |
| Device structure             |                                         | CMOS silicon gate process                                                                                                                                         |                                                                                                                                   |
| Package                      |                                         | 42-pin shrink plastic molded DIP                                                                                                                                  |                                                                                                                                   |
| CRT display function         | Number of display characters            | 20 characters X 2 lines (maximum 16 lines by software)                                                                                                            |                                                                                                                                   |
|                              | Dot structure                           | 12 X 16 dots                                                                                                                                                      |                                                                                                                                   |
|                              | Kinds of characters                     | 128 kinds                                                                                                                                                         |                                                                                                                                   |
|                              | Kinds of character sizes                | 3 kinds                                                                                                                                                           |                                                                                                                                   |
|                              | Kinds of character colors               | Maximum 7 kinds (R, G, B); can be specified by the character                                                                                                      |                                                                                                                                   |
|                              | Display position (horizontal, vertical) | 64 levels (horizontal) X 128 levels (vertical)                                                                                                                    |                                                                                                                                   |

SINGLE-CHIP 8-BIT CMOS MICROCOMPUTER for VOLTAGE SYNTHESIZER  
with ON-SCREEN DISPLAY CONTROLLER

**PIN DESCRIPTION**

| Pin                                                                     | Name                                        | Input/<br>Output | Functions                                                                                                                                                                                                                                                                                                         |
|-------------------------------------------------------------------------|---------------------------------------------|------------------|-------------------------------------------------------------------------------------------------------------------------------------------------------------------------------------------------------------------------------------------------------------------------------------------------------------------|
| Vcc, Vss                                                                | Power source                                |                  | Apply voltage of $5\text{ V} \pm 10\%$ (typical) to Vcc, and 0 V to Vss.                                                                                                                                                                                                                                          |
| CNVss                                                                   | CNVss                                       |                  | This is connected to Vss.                                                                                                                                                                                                                                                                                         |
| RESET                                                                   | Reset input                                 | Input            | To enter the reset state, the reset input pin must be kept at a "L" for 2 $\mu\text{s}$ or more (under normal VCC conditions).<br>If more time is needed for the quartz-crystal oscillator to stabilize, this "L" condition should be maintained for the required time.                                           |
| XIN                                                                     | Clock input                                 | Input            | This chip has an internal clock generating circuit. To control generating frequency, an external ceramic resonator or a quartz-crystal oscillator is connected between pins XIN and XOUT. If an external clock is used, the clock source should be connected to the XIN pin and the XOUT pin should be left open. |
| XOUT                                                                    | Clock output                                | Output           |                                                                                                                                                                                                                                                                                                                   |
| P00/PWM0–<br>P05/PWM5,<br>P06/INT2/<br>A-D4,<br>P07/INT1                | I/O port P0                                 | I/O              | Port P0 is an 8-bit I/O port with direction register allowing each I/O bit to be individually programmed as input or output. At reset, this port is set to input mode. The output structure is N-channel open-drain output. The note out of this Table gives a full of port P0 function.                          |
|                                                                         | PWM output                                  | Output           | Pins P00–P05 are also used as PWM output pins PWM0–PWM5 respectively. The output structure is N-channel open-drain output.                                                                                                                                                                                        |
|                                                                         | External interrupt input                    | Input            | Pins P06, P07 are also used as external interrupt input pins INT2, INT1 respectively.                                                                                                                                                                                                                             |
|                                                                         | Analog input                                | Input            | Pins P06 is also used as an analog interrupt input pin A-D4.                                                                                                                                                                                                                                                      |
| P10–P14,<br>P15/A-D1<br>INT3,<br>P16/A-D2,<br>P17/A-D3                  | I/O port P1                                 | I/O              | Port P1 is an 8-bit I/O port and has basically the same functions as port P0. The output structure is CMOS output.                                                                                                                                                                                                |
|                                                                         | Analog input                                | Input            | Pins P15–P17 are also used as an analog input pins A-D1 to A-D3.                                                                                                                                                                                                                                                  |
|                                                                         | External interrupt input                    | Input            | Pin P15 is also used as an external interrupt input pins INT3.                                                                                                                                                                                                                                                    |
| P20/SCLK,<br>P21/SOUT,<br>P22/SIN,<br>P23/TIM3,<br>P24/TIM2,<br>P25–P27 | I/O port P2                                 | I/O              | Port P2 is an 8-bit I/O port and has basically the same functions as port P0. The output structure is CMOS output.                                                                                                                                                                                                |
|                                                                         | External clock input                        | Input            | Pins P23, P24 is also used an external clock input pins TIM3, TIM2 respectively.                                                                                                                                                                                                                                  |
|                                                                         | Serial I/O data input/output                | I/O              | Pins P21, P22 are also used serial I/O data input/output pins SOUT, SIN respectively. The output structure is N-channel open-drain output.                                                                                                                                                                        |
|                                                                         | Serial I/O synchronizing clock input/output | I/O              | Pin P20 is also used serial I/O synchronizing clock input/output pin SCLK. The output structure is N-channel open-drain output.                                                                                                                                                                                   |
| P30/A-D5/<br>DA1,<br>P31/A-D6/<br>DA2,<br>P32                           | I/O port P3                                 | I/O              | Ports P30–P32 are a 3-bit I/O port and have basically the same functions as port P0. Either CMOS output or N-channel open-drain output structure can be selected as the ports P30 and P31. The output structure of port P32 is N-channel open-drain output.                                                       |
|                                                                         | Analog input                                | Input            | Pins P30, P31 are also used as analog input pins A-D5, A-D6 respectively.                                                                                                                                                                                                                                         |
|                                                                         | D-A conversion output                       | Output           | Pins P30, P31 are also used as D-A conversion output pins DA1, DA2 respectively.                                                                                                                                                                                                                                  |
| P33/OSC1,<br>P34/OSC2                                                   | Input port P3                               | Input            | Ports P33, P34 are a 2-bit input port.                                                                                                                                                                                                                                                                            |
|                                                                         | Clock input for CRT display                 | Input            | Pin P33 is also used as CRT display clock input pin OSC1.                                                                                                                                                                                                                                                         |
|                                                                         | Clock output for CRT display                | Output           | Pin P34 is also used as CRT display clock output pin OSC2. The output structure is CMOS output.                                                                                                                                                                                                                   |

**PIN DESCRIPTION (continued)**

|                                       |                                     |                      |                                                                                                                                                                                                  |
|---------------------------------------|-------------------------------------|----------------------|--------------------------------------------------------------------------------------------------------------------------------------------------------------------------------------------------|
| P52/R,<br>P53/G,<br>P54/B,<br>P55/OUT | Output port<br>P5<br><br>CRT output | Output<br><br>Output | Ports P52–P55 are a 4-bit output port. The output structure is CMOS output.<br><br>Pins P52–P55 are also used as CRT output pins R, G, B, OUT respectively. The output structure is CMOS output. |
| HSYNC                                 | HSYNC input                         | Input                | This is a horizontal synchronizing signal input for CRT display.                                                                                                                                 |
| VSYNC                                 | VSYNC input                         | Input                | This is a vertical synchronizing signal input for CRT display.                                                                                                                                   |
| D-A                                   | DA output                           | Output               | This is an output pin for 14-bit PWM.                                                                                                                                                            |

**Note :** As shown in the memory map (Figure 3), port P0 is accessed as a memory at address 00C0<sub>16</sub> of zero page. Port P0 has the port P0 direction register (address 00C1<sub>16</sub> of zero page) which can be used to program each bit as an input (“0”) or an output (“1”). The pins programmed as “1” in the direction register are output pins. When pins are programmed as “0,” they are input pins. When pins are programmed as output pins, the output data are written into the port latch and then output. When data is read from the output pins, the output pin level is not read but the data of the port latch is read. This allows a previously-output value to be read correctly even if the output “L” voltage has risen, for example, because a light emitting diode was directly driven. The input pins are in the floating state, so the values of the pins can be read. When data is written into the input pin, it is written only into the port latch, while the pin remains in the floating state.



**MEMORY**

**Special Function Register (SFR) Area**

The special function register (SFR) area in the zero page contains control registers such as I/O ports and timers.

**RAM**

RAM is used for data storage and for stack area of subroutine calls and interrupts.

**ROM**

ROM is used for storing user programs as well as the interrupt vector area.

**RAM for Display**

RAM for display is used for specifying the character codes and colors to display.

**ROM for Display**

ROM for display is used for storing character data.

**Interrupt Vector Area**

The interrupt vector area contains reset and interrupt vectors.

**Zero Page**

The 256 bytes from addresses 0000<sub>16</sub> to 00FF<sub>16</sub> are called the zero page area. The internal RAM and the special function registers (SFR) are allocated to this area.

The zero page addressing mode can be used to specify memory and register addresses in the zero page area. Access to this area with only 2 bytes is possible in the zero page addressing mode.

**Special Page**

The 256 bytes from addresses FF00<sub>16</sub> to FFFF<sub>16</sub> are called the special page area. The special page addressing mode can be used to specify memory addresses in the special page area. Access to this area with only 2 bytes is possible in the special page addressing mode.

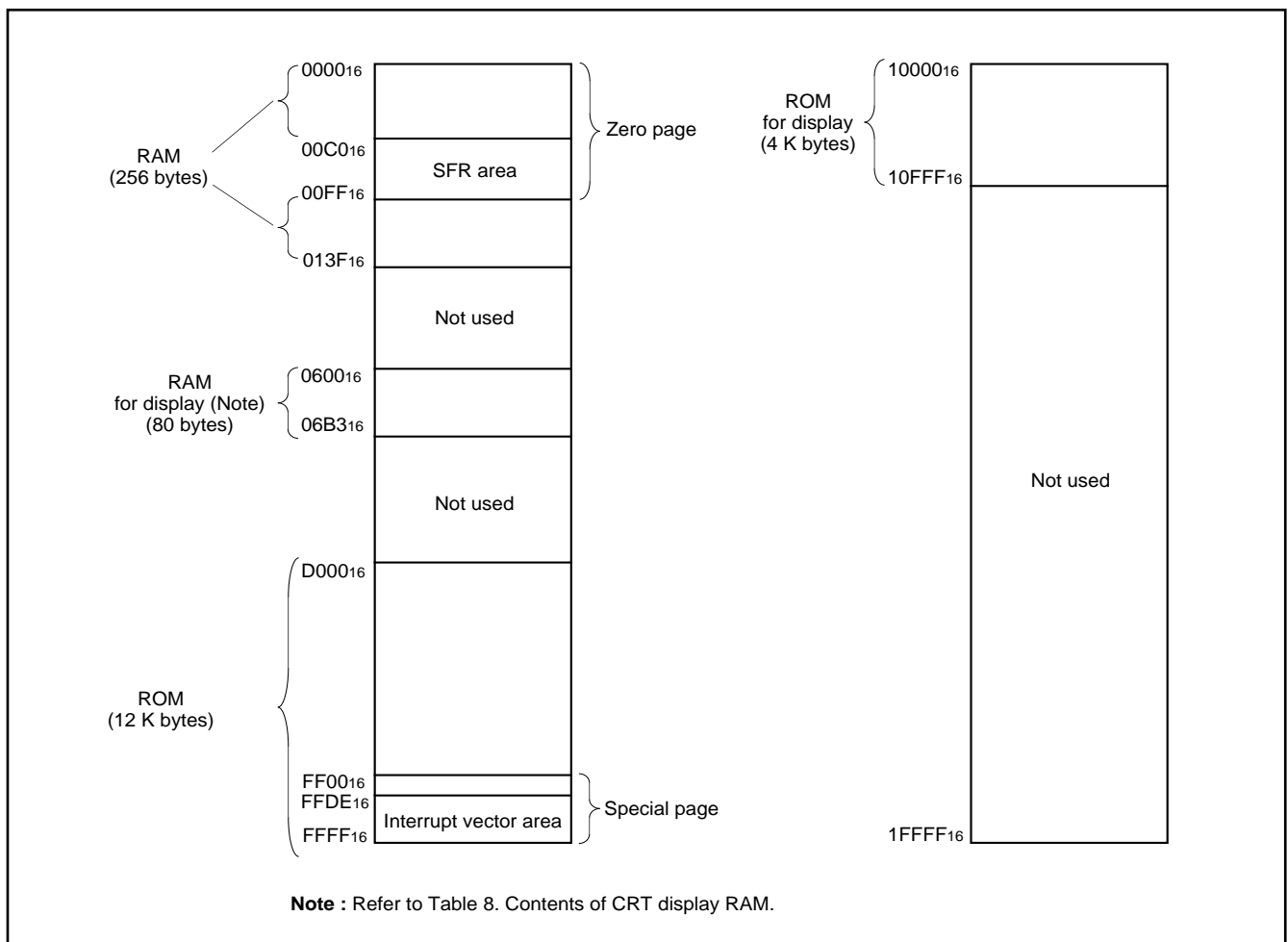


Fig. 2. Memory map

■SFR area (addresses C0<sub>16</sub> to DF<sub>16</sub>)

- : Nothing is allocated
- : Fix this bit to "0" (do not write "1")
- 0 : "0" immediately after reset
- 1 : "1" immediately after reset
- ? : undefined immediately after reset

| Address          | Register                                   | Bit allocation |     |      |      |      |      |      |      | State immediately after reset |   |   |   |   |   |   |    |                  |
|------------------|--------------------------------------------|----------------|-----|------|------|------|------|------|------|-------------------------------|---|---|---|---|---|---|----|------------------|
|                  |                                            | b7             |     |      |      |      |      |      | b0   | b7                            |   |   |   |   |   |   | b0 |                  |
| C0 <sub>16</sub> | Port P0 (P0)                               |                |     |      |      |      |      |      |      |                               |   |   |   |   |   |   |    | ?                |
| C1 <sub>16</sub> | Port P0 direction register (D0)            |                |     |      |      |      |      |      |      |                               |   |   |   |   |   |   |    | 00 <sub>16</sub> |
| C2 <sub>16</sub> | Port P1 (P1)                               |                |     |      |      |      |      |      |      |                               |   |   |   |   |   |   |    | ?                |
| C3 <sub>16</sub> | Port P1 direction register (D1)            |                |     |      |      |      |      |      |      |                               |   |   |   |   |   |   |    | 00 <sub>16</sub> |
| C4 <sub>16</sub> | Port P2 (P2)                               |                |     |      |      |      |      |      |      |                               |   |   |   |   |   |   |    | ?                |
| C5 <sub>16</sub> | Port P2 direction register (D2)            |                |     |      |      |      |      |      |      |                               |   |   |   |   |   |   |    | 00 <sub>16</sub> |
| C6 <sub>16</sub> | Port P3 (P3)                               |                |     |      |      |      |      |      |      | 0                             | 0 | 0 | ? | ? | ? | ? | ?  |                  |
| C7 <sub>16</sub> | Port P3 direction register (D3)            |                |     |      |      |      |      |      |      | 0                             | 0 | 0 | 0 | 0 | 0 | 0 | 0  |                  |
| C8 <sub>16</sub> |                                            |                |     |      |      |      |      |      |      |                               |   |   |   |   |   |   |    | ?                |
| C9 <sub>16</sub> |                                            |                |     |      |      |      |      |      |      |                               |   |   |   |   |   |   |    | ?                |
| CA <sub>16</sub> | Port P5 (P5)                               |                |     |      |      |      |      |      |      | 0                             | 0 | ? | ? | ? | ? | ? | ?  |                  |
| CB <sub>16</sub> | Port P5 direction register (D5)            |                |     |      |      |      |      |      |      | 0                             | 0 | 0 | 0 | 0 | 0 | 0 | 0  |                  |
| CC <sub>16</sub> |                                            |                |     |      |      |      |      |      |      |                               |   |   |   |   |   |   |    | ?                |
| CD <sub>16</sub> | Port P3 output mode control register (P3S) |                |     |      |      |      |      |      |      |                               |   |   |   |   |   |   |    | 0 0 0 0 0 0 0 0  |
| CE <sub>16</sub> | DA-H register (DA-H)                       |                |     |      |      |      |      |      |      |                               |   |   |   |   |   |   |    | ?                |
| CF <sub>16</sub> | DA-L register (DA-L)                       |                |     |      |      |      |      |      |      | 0                             | 0 | ? | ? | ? | ? | ? | ?  |                  |
| D0 <sub>16</sub> | PWM0 register (PWM0)                       |                |     |      |      |      |      |      |      |                               |   |   |   |   |   |   |    | ?                |
| D1 <sub>16</sub> | PWM1 register (PWM1)                       |                |     |      |      |      |      |      |      |                               |   |   |   |   |   |   |    | ?                |
| D2 <sub>16</sub> | PWM2 register (PWM2)                       |                |     |      |      |      |      |      |      |                               |   |   |   |   |   |   |    | ?                |
| D3 <sub>16</sub> | PWM3 register (PWM3)                       |                |     |      |      |      |      |      |      |                               |   |   |   |   |   |   |    | ?                |
| D4 <sub>16</sub> | PWM4 register (PWM4)                       |                |     |      |      |      |      |      |      |                               |   |   |   |   |   |   |    | ?                |
| D5 <sub>16</sub> | PWM output control register 1 (PW)         |                | PW7 | PW6  | PW5  | PW4  | PW3  | PW2  | PW1  | PW0                           |   |   |   |   |   |   |    | 00 <sub>16</sub> |
| D6 <sub>16</sub> | PWM output control register 2 (PN)         |                |     |      |      |      |      |      |      |                               | 0 | 0 | 0 | 0 | 0 | 0 | 0  |                  |
| D7 <sub>16</sub> |                                            |                |     |      |      |      |      |      |      |                               |   |   |   |   |   |   |    | ?                |
| D8 <sub>16</sub> |                                            |                |     |      |      |      |      |      |      |                               |   |   |   |   |   |   |    | ?                |
| D9 <sub>16</sub> |                                            |                |     |      |      |      |      |      |      |                               |   |   |   |   |   |   |    | ?                |
| DA <sub>16</sub> |                                            |                |     |      |      |      |      |      |      |                               |   |   |   |   |   |   |    | ?                |
| DB <sub>16</sub> |                                            |                |     |      |      |      |      |      |      |                               |   |   |   |   |   |   |    | ?                |
| DC <sub>16</sub> | Serial I/O mode register (SM)              |                |     | SM6  | SM5  |      | SM3  | SM2  | SM1  | SM0                           | 0 | 0 | 0 | 0 | 0 | 0 | 0  |                  |
| DD <sub>16</sub> | Serial I/O register (SIO)                  |                |     |      |      |      |      |      |      |                               |   |   |   |   |   |   |    | ?                |
| DE <sub>16</sub> | DA1 conversion register (DA1)              |                |     | DA15 | DA14 | DA13 | DA12 | DA11 | DA10 | 0                             | 0 | ? | ? | ? | ? | ? | ?  |                  |
| DF <sub>16</sub> | DA2 conversion register (DA2)              |                |     | DA25 | DA24 | DA23 | DA22 | DA21 | DA20 | 0                             | 0 | ? | ? | ? | ? | ? | ?  |                  |

Fig. 3. Memory map of SFR (special function register) (1)



■SFR area (addresses E0<sub>16</sub> to FF<sub>16</sub>)

- : Nothing is allocated
- : Fix this bit to "0" (do not write "1")
- : Fix this bit to "1" (do not write "0")
- 0 : "0" immediately after reset
- 1 : "1" immediately after reset
- ? : undefined immediately after reset

| Address          | Register                               | Bit allocation |      |       |       |       |       |       |       | State immediately after reset                                                                                            |                                                                                                                          |                                                                                                                          |                                                                                                                          |                                                                                                                          |                                                                                                                          |                                                                                                                          |                                                                                                                          |
|------------------|----------------------------------------|----------------|------|-------|-------|-------|-------|-------|-------|--------------------------------------------------------------------------------------------------------------------------|--------------------------------------------------------------------------------------------------------------------------|--------------------------------------------------------------------------------------------------------------------------|--------------------------------------------------------------------------------------------------------------------------|--------------------------------------------------------------------------------------------------------------------------|--------------------------------------------------------------------------------------------------------------------------|--------------------------------------------------------------------------------------------------------------------------|--------------------------------------------------------------------------------------------------------------------------|
|                  |                                        | b7             |      |       |       |       |       |       | b0    | b7                                                                                                                       |                                                                                                                          |                                                                                                                          |                                                                                                                          |                                                                                                                          |                                                                                                                          |                                                                                                                          | b0                                                                                                                       |
| E0 <sub>16</sub> | Horizontal position register (HR)      |                |      | HR5   | HR4   | HR3   | HR2   | HR1   | HR0   | 0                                                                                                                        | 0                                                                                                                        | 0                                                                                                                        | 0                                                                                                                        | 0                                                                                                                        | 0                                                                                                                        | 0                                                                                                                        | 0                                                                                                                        |
| E1 <sub>16</sub> | Vertical register 1 (CV1)              |                | CV16 | CV15  | CV14  | CV13  | CV12  | CV11  | CV10  | 0                                                                                                                        | ?                                                                                                                        | ?                                                                                                                        | ?                                                                                                                        | ?                                                                                                                        | ?                                                                                                                        | ?                                                                                                                        | ?                                                                                                                        |
| E2 <sub>16</sub> | Vertical register 2 (CV2)              |                | CV26 | CV25  | CV24  | CV23  | CV22  | CV21  | CV20  | 0                                                                                                                        | ?                                                                                                                        | ?                                                                                                                        | ?                                                                                                                        | ?                                                                                                                        | ?                                                                                                                        | ?                                                                                                                        | ?                                                                                                                        |
| E3 <sub>16</sub> |                                        |                |      |       |       |       |       |       |       | ?                                                                                                                        |                                                                                                                          |                                                                                                                          |                                                                                                                          |                                                                                                                          |                                                                                                                          |                                                                                                                          |                                                                                                                          |
| E4 <sub>16</sub> | Character size register (CS)           |                |      |       |       | CS21  | CS20  | CS11  | CS10  | 0                                                                                                                        | 0                                                                                                                        | 0                                                                                                                        | 0                                                                                                                        | ?                                                                                                                        | ?                                                                                                                        | ?                                                                                                                        | ?                                                                                                                        |
| E5 <sub>16</sub> | Border selection register (MD)         |                |      |       |       |       | MD20  |       | MD10  | 0                                                                                                                        | 0                                                                                                                        | 0                                                                                                                        | 0                                                                                                                        | 0                                                                                                                        | ?                                                                                                                        | 0                                                                                                                        | ?                                                                                                                        |
| E6 <sub>16</sub> | Color register 0 (CO0)                 |                |      | CO05  |       | CO03  | CO02  | CO01  |       | 0                                                                                                                        | 0                                                                                                                        | 0                                                                                                                        | 0                                                                                                                        | 0                                                                                                                        | 0                                                                                                                        | 0                                                                                                                        | 0                                                                                                                        |
| E7 <sub>16</sub> | Color register 1 (CO1)                 |                |      | CO15  |       | CO13  | CO12  | CO11  |       | 0                                                                                                                        | 0                                                                                                                        | 0                                                                                                                        | 0                                                                                                                        | 0                                                                                                                        | 0                                                                                                                        | 0                                                                                                                        | 0                                                                                                                        |
| E8 <sub>16</sub> | Color register 2 (CO2)                 |                |      | CO25  |       | CO23  | CO22  | CO21  |       | 0                                                                                                                        | 0                                                                                                                        | 0                                                                                                                        | 0                                                                                                                        | 0                                                                                                                        | 0                                                                                                                        | 0                                                                                                                        | 0                                                                                                                        |
| E9 <sub>16</sub> | Color register 3 (CO3)                 |                |      | CO35  |       | CO33  | CO32  | CO31  |       | 0                                                                                                                        | 0                                                                                                                        | 0                                                                                                                        | 0                                                                                                                        | 0                                                                                                                        | 0                                                                                                                        | 0                                                                                                                        | 0                                                                                                                        |
| EA <sub>16</sub> | CRT control register (CC)              |                |      |       |       |       | CC2   | CC1   | CC0   | 0                                                                                                                        | 0                                                                                                                        | 0                                                                                                                        | 0                                                                                                                        | 0                                                                                                                        | 0                                                                                                                        | 0                                                                                                                        | 0                                                                                                                        |
| EB <sub>16</sub> |                                        |                |      |       |       |       |       |       |       | ?                                                                                                                        |                                                                                                                          |                                                                                                                          |                                                                                                                          |                                                                                                                          |                                                                                                                          |                                                                                                                          |                                                                                                                          |
| EC <sub>16</sub> | CRT port control register (CRTP)       | OP7            | OP6  | OP5   | OUT   |       | R/G/B | VSYC  | HSYC  | 00 <sub>16</sub>                                                                                                         |                                                                                                                          |                                                                                                                          |                                                                                                                          |                                                                                                                          |                                                                                                                          |                                                                                                                          |                                                                                                                          |
| ED <sub>16</sub> | CRT clock selection register (CK)      |                |      |       |       |       |       | CK1   | CK0   | <span style="background: repeating-linear-gradient(45deg, transparent, transparent 2px, black 2px, black 4px);">0</span> | <span style="background: repeating-linear-gradient(45deg, transparent, transparent 2px, black 2px, black 4px);">0</span> | <span style="background: repeating-linear-gradient(45deg, transparent, transparent 2px, black 2px, black 4px);">0</span> | <span style="background: repeating-linear-gradient(45deg, transparent, transparent 2px, black 2px, black 4px);">0</span> | <span style="background: repeating-linear-gradient(45deg, transparent, transparent 2px, black 2px, black 4px);">0</span> | <span style="background: repeating-linear-gradient(45deg, transparent, transparent 2px, black 2px, black 4px);">0</span> | <span style="background: repeating-linear-gradient(45deg, transparent, transparent 2px, black 2px, black 4px);">0</span> | <span style="background: repeating-linear-gradient(45deg, transparent, transparent 2px, black 2px, black 4px);">0</span> |
| EE <sub>16</sub> | A-D control register 1 (AD1)           |                |      |       | ADM4  |       | ADM2  | ADM1  | ADM0  | 0                                                                                                                        | 0                                                                                                                        | 0                                                                                                                        | ?                                                                                                                        | 0                                                                                                                        | 0                                                                                                                        | 0                                                                                                                        | 0                                                                                                                        |
| EF <sub>16</sub> | A-D control register 2 (AD2)           |                |      | ADC5  | ADC4  | ADC3  | ADC2  | ADC1  | ADC0  | 0                                                                                                                        | 0                                                                                                                        | 0                                                                                                                        | 0                                                                                                                        | 0                                                                                                                        | 0                                                                                                                        | 0                                                                                                                        | 0                                                                                                                        |
| F0 <sub>16</sub> | Timer 1 (TM1)                          |                |      |       |       |       |       |       |       | FF <sub>16</sub>                                                                                                         |                                                                                                                          |                                                                                                                          |                                                                                                                          |                                                                                                                          |                                                                                                                          |                                                                                                                          |                                                                                                                          |
| F1 <sub>16</sub> | Timer 2 (TM2)                          |                |      |       |       |       |       |       |       | 07 <sub>16</sub>                                                                                                         |                                                                                                                          |                                                                                                                          |                                                                                                                          |                                                                                                                          |                                                                                                                          |                                                                                                                          |                                                                                                                          |
| F2 <sub>16</sub> | Timer 3 (TM3)                          |                |      |       |       |       |       |       |       | FF <sub>16</sub>                                                                                                         |                                                                                                                          |                                                                                                                          |                                                                                                                          |                                                                                                                          |                                                                                                                          |                                                                                                                          |                                                                                                                          |
| F3 <sub>16</sub> | Timer 4 (TM4)                          |                |      |       |       |       |       |       |       | 07 <sub>16</sub>                                                                                                         |                                                                                                                          |                                                                                                                          |                                                                                                                          |                                                                                                                          |                                                                                                                          |                                                                                                                          |                                                                                                                          |
| F4 <sub>16</sub> | Timer 12 mode register (T12M)          |                |      |       | T12M4 | T12M3 | T12M2 | T12M1 | T12M0 | 0                                                                                                                        | 0                                                                                                                        | <span style="background: repeating-linear-gradient(45deg, transparent, transparent 2px, black 2px, black 4px);">0</span> | 0                                                                                                                        | 0                                                                                                                        | 0                                                                                                                        | 0                                                                                                                        | 0                                                                                                                        |
| F5 <sub>16</sub> | Timer 34 mode register (T34M)          |                |      | T34M5 | T34M4 | T34M3 | T34M2 | T34M1 | T34M0 | 0                                                                                                                        | 0                                                                                                                        | 0                                                                                                                        | 0                                                                                                                        | 0                                                                                                                        | 0                                                                                                                        | 0                                                                                                                        | 0                                                                                                                        |
| F6 <sub>16</sub> | PWM5 register (PWM5)                   |                |      |       |       |       |       |       |       | ?                                                                                                                        |                                                                                                                          |                                                                                                                          |                                                                                                                          |                                                                                                                          |                                                                                                                          |                                                                                                                          |                                                                                                                          |
| F7 <sub>16</sub> |                                        |                |      |       |       |       |       |       |       | ?                                                                                                                        |                                                                                                                          |                                                                                                                          |                                                                                                                          |                                                                                                                          |                                                                                                                          |                                                                                                                          |                                                                                                                          |
| F8 <sub>16</sub> |                                        |                |      |       |       |       |       |       |       | ?                                                                                                                        |                                                                                                                          |                                                                                                                          |                                                                                                                          |                                                                                                                          |                                                                                                                          |                                                                                                                          |                                                                                                                          |
| F9 <sub>16</sub> | Interrupt input polarity register (RE) |                |      | RE5   | RE4   | RE3   |       |       |       | <span style="background: repeating-linear-gradient(45deg, transparent, transparent 2px, black 2px, black 4px);">0</span> | <span style="background: repeating-linear-gradient(45deg, transparent, transparent 2px, black 2px, black 4px);">0</span> | <span style="background: repeating-linear-gradient(45deg, transparent, transparent 2px, black 2px, black 4px);">0</span> | <span style="background: repeating-linear-gradient(45deg, transparent, transparent 2px, black 2px, black 4px);">0</span> | <span style="background: repeating-linear-gradient(45deg, transparent, transparent 2px, black 2px, black 4px);">0</span> | <span style="background: repeating-linear-gradient(45deg, transparent, transparent 2px, black 2px, black 4px);">0</span> | <span style="background: repeating-linear-gradient(45deg, transparent, transparent 2px, black 2px, black 4px);">0</span> | ?                                                                                                                        |
| FA <sub>16</sub> | Test register (TEST)                   |                |      |       |       |       |       |       |       | 00 <sub>16</sub>                                                                                                         |                                                                                                                          |                                                                                                                          |                                                                                                                          |                                                                                                                          |                                                                                                                          |                                                                                                                          |                                                                                                                          |
| FB <sub>16</sub> | CPU mode register (CPUM)               |                |      |       |       |       | CM2   |       |       | <span style="background: repeating-linear-gradient(45deg, transparent, transparent 2px, black 2px, black 4px);">1</span> | <span style="background: repeating-linear-gradient(45deg, transparent, transparent 2px, black 2px, black 4px);">1</span> | <span style="background: repeating-linear-gradient(45deg, transparent, transparent 2px, black 2px, black 4px);">1</span> | <span style="background: repeating-linear-gradient(45deg, transparent, transparent 2px, black 2px, black 4px);">1</span> | <span style="background: repeating-linear-gradient(45deg, transparent, transparent 2px, black 2px, black 4px);">1</span> | <span style="background: repeating-linear-gradient(45deg, transparent, transparent 2px, black 2px, black 4px);">1</span> | 0                                                                                                                        | 0                                                                                                                        |
| FC <sub>16</sub> | Interrupt request register 1 (IREQ1)   | IT3R           |      | VSCR  | CRTR  | TM4R  | TM3R  | TM2R  | TM1R  | 0                                                                                                                        | 0                                                                                                                        | 0                                                                                                                        | 0                                                                                                                        | 0                                                                                                                        | 0                                                                                                                        | 0                                                                                                                        | 0                                                                                                                        |
| FD <sub>16</sub> | Interrupt request register 2 (IREQ2)   |                |      |       | MSR   |       | S1R   | 1T2R  | 1T1R  | <span style="background: repeating-linear-gradient(45deg, transparent, transparent 2px, black 2px, black 4px);">0</span> | <span style="background: repeating-linear-gradient(45deg, transparent, transparent 2px, black 2px, black 4px);">0</span> | <span style="background: repeating-linear-gradient(45deg, transparent, transparent 2px, black 2px, black 4px);">0</span> | <span style="background: repeating-linear-gradient(45deg, transparent, transparent 2px, black 2px, black 4px);">0</span> | <span style="background: repeating-linear-gradient(45deg, transparent, transparent 2px, black 2px, black 4px);">0</span> | <span style="background: repeating-linear-gradient(45deg, transparent, transparent 2px, black 2px, black 4px);">0</span> | <span style="background: repeating-linear-gradient(45deg, transparent, transparent 2px, black 2px, black 4px);">0</span> | <span style="background: repeating-linear-gradient(45deg, transparent, transparent 2px, black 2px, black 4px);">0</span> |
| FE <sub>16</sub> | Interrupt control register 1 (ICON1)   | IT3E           |      | VSCCE | CRTE  | TM4E  | TM3E  | TM2E  | TM1E  | 0                                                                                                                        | 0                                                                                                                        | 0                                                                                                                        | 0                                                                                                                        | 0                                                                                                                        | 0                                                                                                                        | 0                                                                                                                        | 0                                                                                                                        |
| FF <sub>16</sub> | Interrupt control register 2 (ICON2)   |                |      |       | MSE   |       | S1E   | 1T2E  | 1T1E  | <span style="background: repeating-linear-gradient(45deg, transparent, transparent 2px, black 2px, black 4px);">0</span> | <span style="background: repeating-linear-gradient(45deg, transparent, transparent 2px, black 2px, black 4px);">0</span> | <span style="background: repeating-linear-gradient(45deg, transparent, transparent 2px, black 2px, black 4px);">0</span> | <span style="background: repeating-linear-gradient(45deg, transparent, transparent 2px, black 2px, black 4px);">0</span> | <span style="background: repeating-linear-gradient(45deg, transparent, transparent 2px, black 2px, black 4px);">0</span> | <span style="background: repeating-linear-gradient(45deg, transparent, transparent 2px, black 2px, black 4px);">0</span> | <span style="background: repeating-linear-gradient(45deg, transparent, transparent 2px, black 2px, black 4px);">0</span> | <span style="background: repeating-linear-gradient(45deg, transparent, transparent 2px, black 2px, black 4px);">0</span> |

Fig. 4. Memory map of SFR (special function register) (2)

## INTERRUPTS

Interrupts can be caused by 13 different sources consisting of 3 external, 9 internal, and 1 software sources. Interrupts are vectored interrupts with priorities shown in Table 1. Reset is also included in the table because its operation is similar to an interrupt.

When an interrupt is accepted,

- (1) The contents of the program counter and processor status register are automatically stored into the stack.
- (2) The interrupt disable flag I is set to "1" and the corresponding interrupt request bit is set to "0."
- (3) The jump destination address stored in the vector address enters the program counter.

Other interrupts are disabled when the interrupt disable flag is set to "1."

All interrupts except the BRK instruction interrupt have an interrupt request bit and an interrupt enable bit. The interrupt request bits are in interrupt request registers 1 and 2 and the interrupt enable bits are in interrupt control registers 1 and 2. Figure 5 shows the structure of the interrupt-related registers.

Interrupts other than the BRK instruction interrupt and reset are accepted when the interrupt enable bit is "1," interrupt request bit is "1," and the interrupt disable flag is "0." The interrupt request bit can be set to "0" by a program, but not set to "1." The interrupt enable bit can be set to "0" and "1" by a program.

Reset is treated as a non-maskable interrupt with the highest priority. Figure 6 shows interrupt control.

## Interrupt Causes

- (1) VSYNC and CRT interrupts  
The VSYNC interrupt is an interrupt request synchronized with the vertical sync signal.  
The CRT interrupt occurs after character block display to the CRT is completed.
- (2) INT1, INT2, INT3 interrupts  
With an external interrupt input, the system detects that the level of a pin changes from "L" to "H" or from "H" to "L," and generates an interrupt request. The input active edge can be selected by bits 3, 4 and 5 of the interrupt input polarity register (address 00F9<sub>16</sub>) : when this bit is "0," a change from "L" to "H" is detected; when it is "1," a change from "H" to "L" is detected. Note that all bits are cleared to "0" at reset.
- (3) Timer 1, 2, 3 and 4 interrupts  
An interrupt is generated by an overflow of timer 1, 2, 3 or 4.
- (4) Serial I/O interrupt  
This is an interrupt request from the clock synchronous serial I/O function.
- (5) X<sub>IN</sub>/4096 interrupt  
This interrupt occurs regularly with a f(X<sub>IN</sub>)/4096 period. Set bit 0 of the PWM output control register 1 to "0."
- (6) BRK instruction interrupt  
This software interrupt has the least significant priority. It does not have a corresponding interrupt enable bit, and it is not affected by the interrupt disable flag I (non-maskable).

Table 1. Interrupt vector addresses and priority

| Interrupt source                | Priority | Vector addresses                        | Remarks                           |
|---------------------------------|----------|-----------------------------------------|-----------------------------------|
| Reset                           | 1        | FFFF <sub>16</sub> , FFFE <sub>16</sub> | Non-maskable                      |
| CRT interrupt                   | 2        | FFFD <sub>16</sub> , FFFC <sub>16</sub> |                                   |
| INT2 interrupt                  | 3        | FFFB <sub>16</sub> , FFFA <sub>16</sub> | Active edge selectable            |
| INT1 interrupt                  | 4        | FFF9 <sub>16</sub> , FFF8 <sub>16</sub> | Active edge selectable            |
| Timer 4 interrupt               | 5        | FFF5 <sub>16</sub> , FFF4 <sub>16</sub> |                                   |
| X <sub>IN</sub> /4096 interrupt | 6        | FFF3 <sub>16</sub> , FFF2 <sub>16</sub> |                                   |
| VSYNC interrupt                 | 7        | FFF1 <sub>16</sub> , FFF0 <sub>16</sub> |                                   |
| Timer 3 interrupt               | 8        | FFEF <sub>16</sub> , FFEE <sub>16</sub> |                                   |
| Timer 2 interrupt               | 9        | FFED <sub>16</sub> , FFEC <sub>16</sub> |                                   |
| Timer 1 interrupt               | 10       | FFEB <sub>16</sub> , FFEA <sub>16</sub> |                                   |
| Serial I/O interrupt            | 11       | FFE9 <sub>16</sub> , FFE8 <sub>16</sub> |                                   |
| INT3 interrupt                  | 12       | FFE5 <sub>16</sub> , FFE4 <sub>16</sub> | Active edge selectable            |
| BRK instruction interrupt       | 13       | FFDF <sub>16</sub> , FFDE <sub>16</sub> | Non-maskable (software interrupt) |

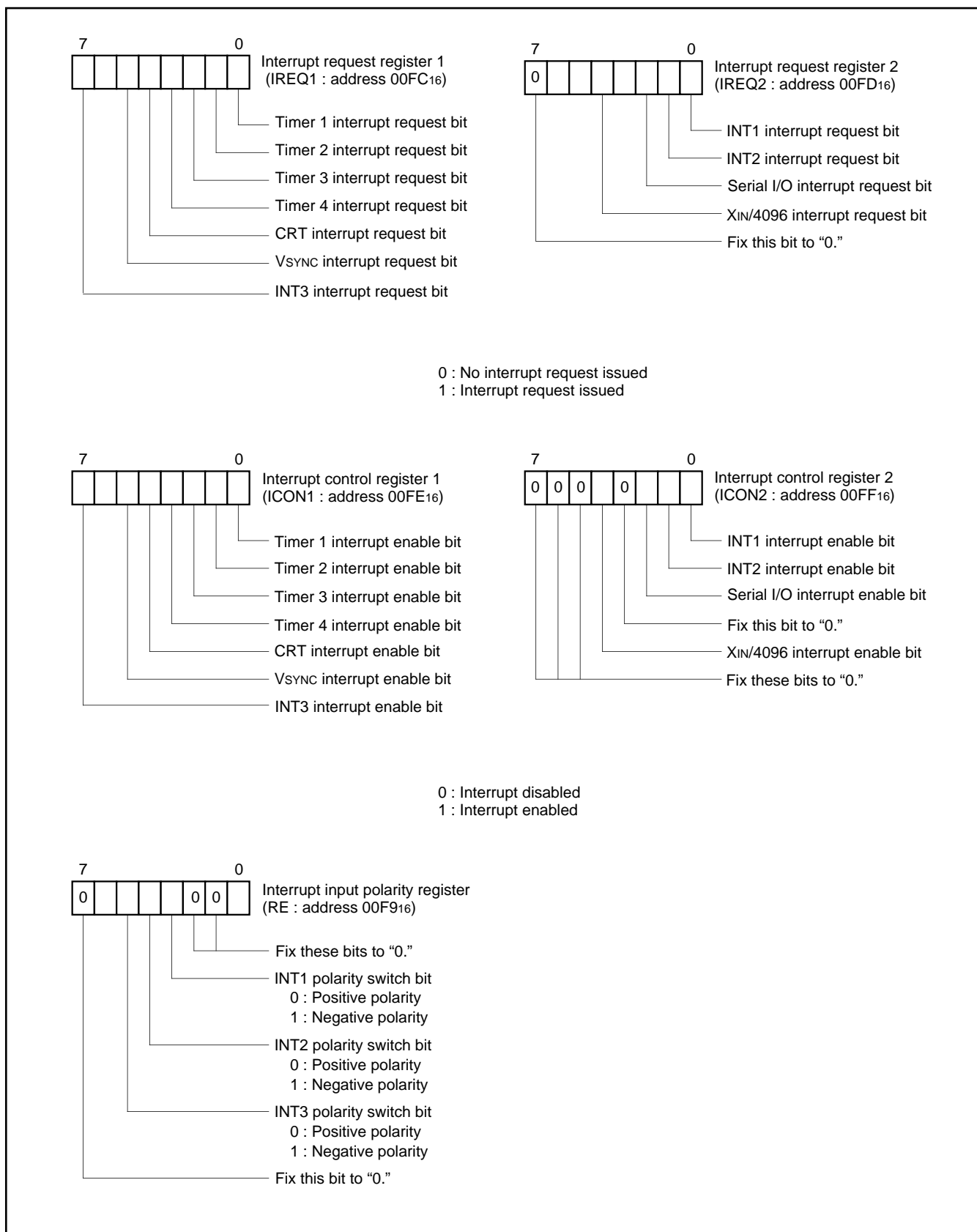


Fig. 5. Structure of interrupt-related registers

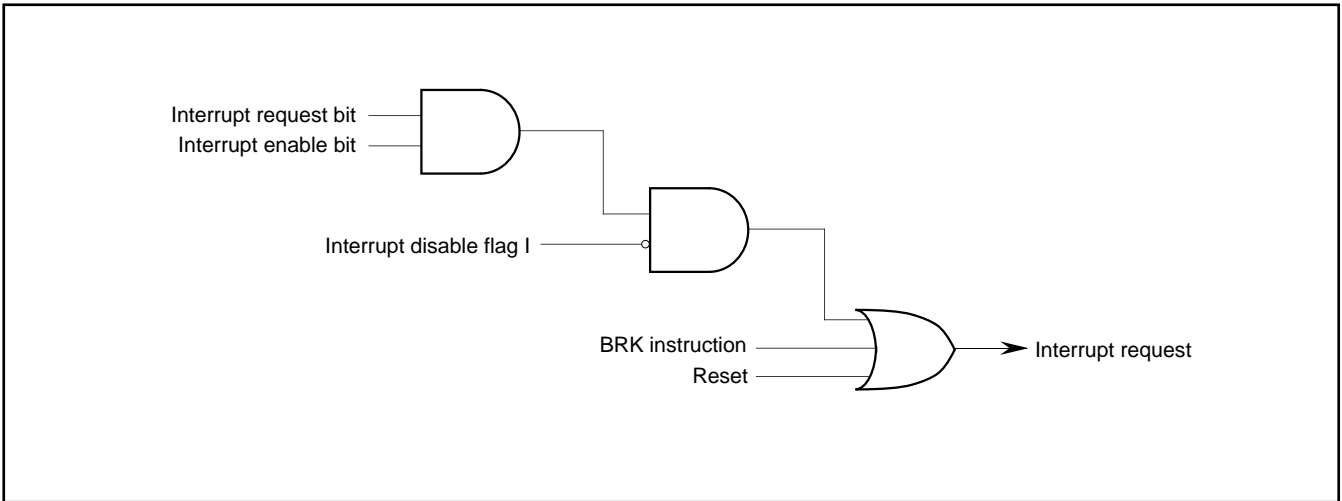


Fig. 6. Interrupt control

## TIMERS

The M37220M3-XXXSP has 4 timers: timer 1, timer 2, timer 3, and timer 4. All timers are 8-bit timers with the 8-bit timer latch. The timer block diagram is shown in Figure 8.

All of the timers count down and their divide ratio is  $1/(n+1)$ , where  $n$  is the value of timer latch. The value is set to a timer at the same time by writing a count value to the corresponding timer latch (addresses 00F0<sub>16</sub> to 00F3<sub>16</sub>).

The count value is decremented by 1. The timer interrupt request bit is set to "1" by a timer overflow at the next count pulse after the count value reaches "00<sub>16</sub>".

### (1) Timer 1

Timer 1 can select one of the following count sources:

- $f(X_{IN})/16$
- $f(X_{IN})/4096$

The count source of timer 1 is selected by setting bit 0 of the timer 12 mode register (address 00F4<sub>16</sub>).

Timer 1 interrupt request occurs at timer 1 overflow.

### (2) Timer 2

Timer 2 can select one of the following count sources:

- $f(X_{IN})/16$
- Timer 1 overflow signal
- External clock from the P24/TIM2 pin

The count source of timer 2 is selected by setting bits 4 and 1 of the timer 12 mode register (address 00F4<sub>16</sub>). When timer 1 overflow signal is a count source for the timer 2, the timer 1 functions as an 8-bit prescaler.

Timer 2 interrupt request occurs at timer 2 overflow.

### (3) Timer 3

Timer 3 can select one of the following count sources:

- $f(X_{IN})/16$
- External clock from the HSYNC pin
- External clock from the P23/TIM3 pin

The count source of timer 3 is selected by setting bits 5 and 0 of the timer 34 mode register (address 00F5<sub>16</sub>).

Timer 3 interrupt request occurs at timer 3 overflow.

### (4) Timer 4

Timer 4 can select one of the following count sources:

- $f(X_{IN})/16$
- $f(X_{IN})/2$
- Timer 3 overflow signal

The count source of timer 3 is selected by setting bits 4 and 1 of the timer 34 mode register (address 00F5<sub>16</sub>). When timer 3 overflow signal is a count source for the timer 4, the timer 3 functions as an 8-bit prescaler.

Timer 4 interrupt request occurs at timer 4 overflow.

At reset, timers 3 and 4 are connected by hardware and "FF<sub>16</sub>" is automatically set in timer 3; "07<sub>16</sub>" in timer 4. The  $f(X_{IN})/16$  is selected as the timer 3 count source. The internal reset is released by timer 4 overflow at these state, the internal clock is connected.

At execution of the STP instruction, timers 3 and 4 are connected by hardware and "FF<sub>16</sub>" is automatically set in timer 3; "07<sub>16</sub>" in timer 4. However, the  $f(X_{IN})/16$  is not selected as the timer 3 count source. So set bit 0 of the timer 34 mode register (address 00F5<sub>16</sub>) to "0" before the execution of the STP instruction ( $f(X_{IN})/16$  is selected as the timer 3 count source). The internal STP state is released by timer 4 overflow at these state, the internal clock is connected.

Because of this, the program starts with the stable clock.

The structure of timer-related registers is shown in Figure 7.

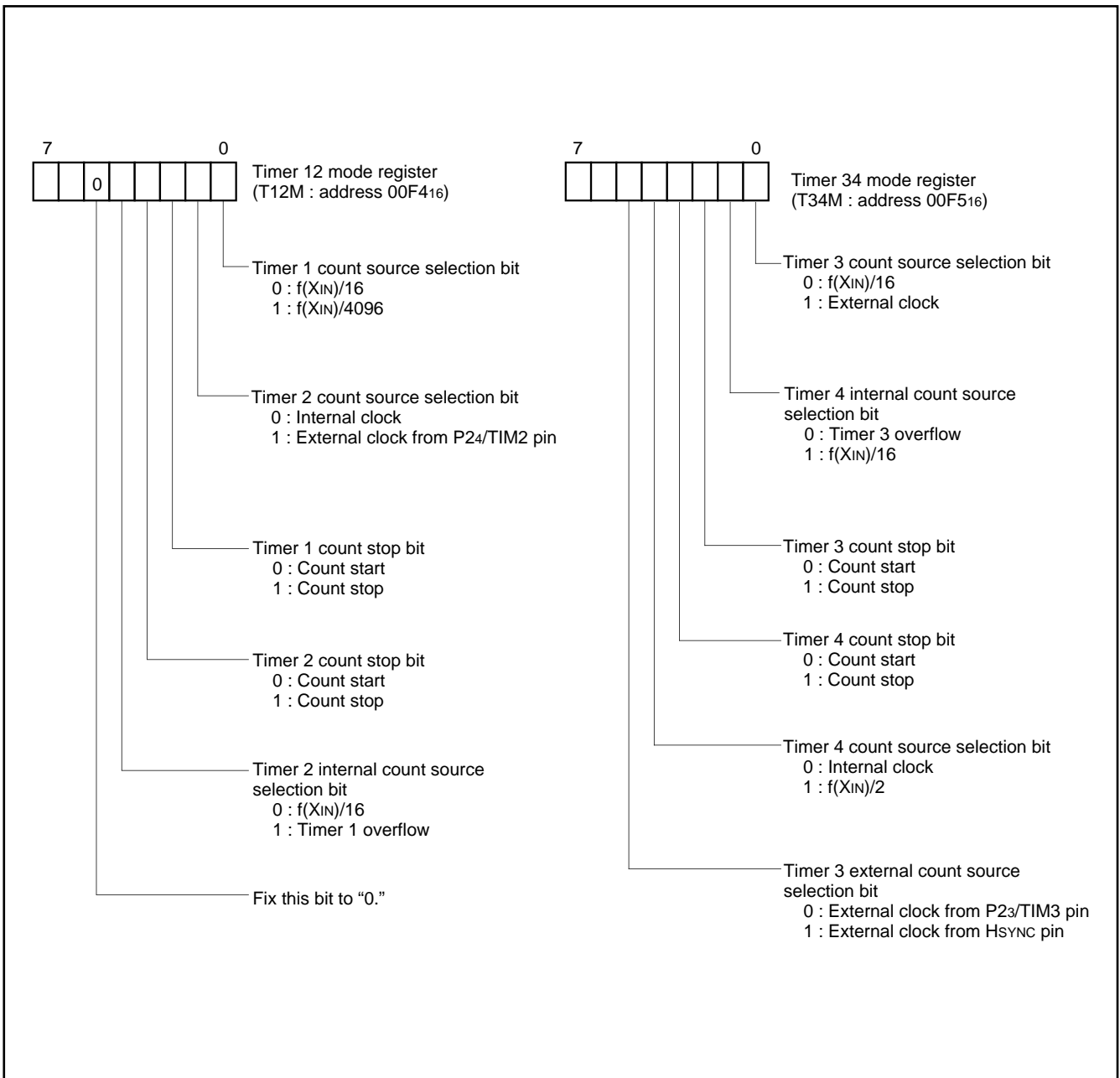


Fig. 7. Structure of timer-related registers

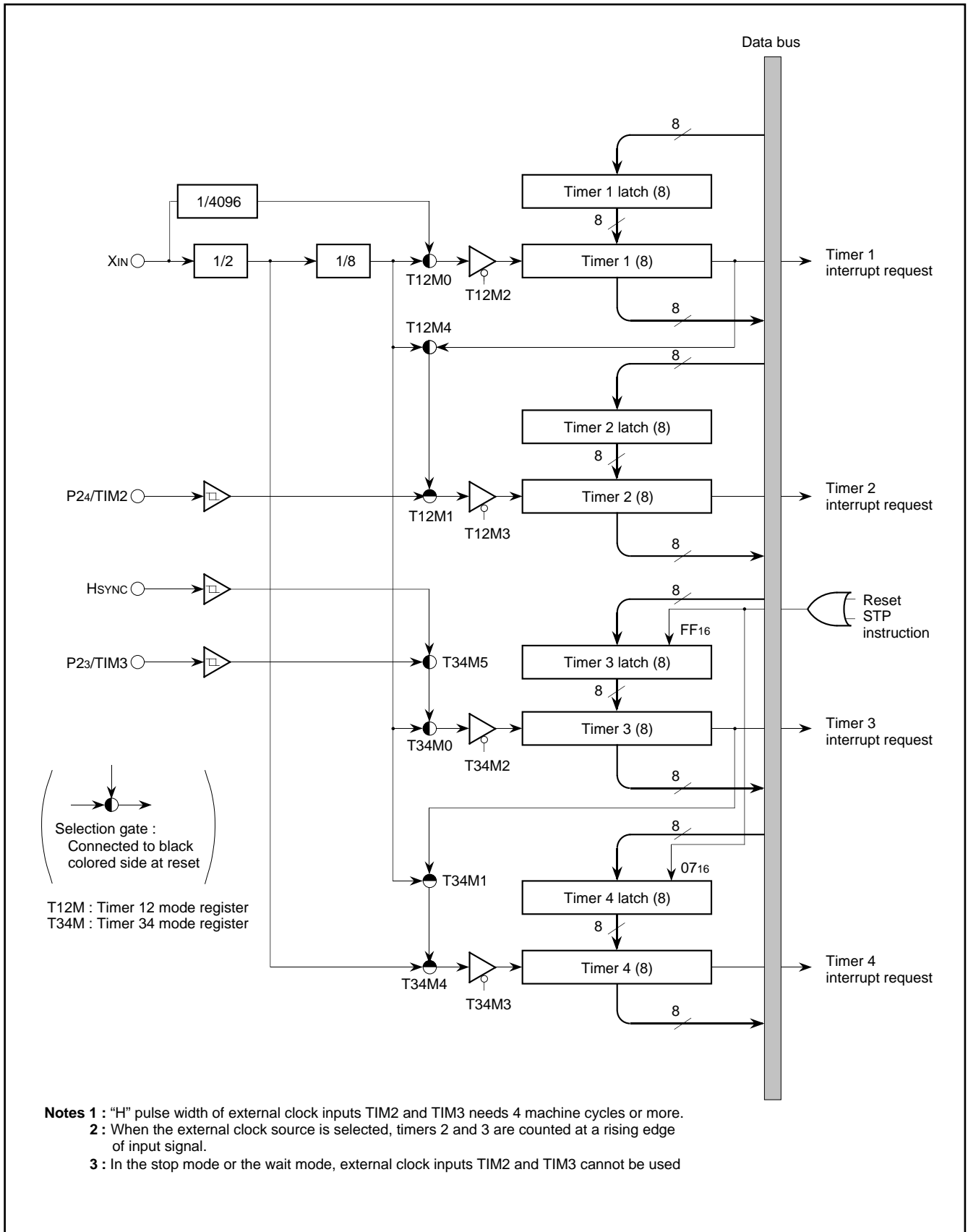


Fig. 8. Timer block diagram

**SERIAL I/O**

The M37220M3-XXXSP has a built-in serial I/O which can either transmit or receive 8-bit data in serial in the clock synchronous mode.

The serial I/O block diagram is shown in Figure 9. The synchronizing clock I/O pin (SCLK), and data I/O pins (SOUT, SIN) also function as port P2.

Bit 2 of the serial I/O mode register (address 00DC16) selects whether the synchronizing clock is supplied internally or externally (from the P20/SCLK pin). When an internal clock is selected, bits 1 and 0 select whether  $f(XIN)$  is divided by 4, 16, 32, or 64. Bit 3 selects whether port P2 is used for serial I/O or not. To use the P22/SIN pin as the SIN pin, set the bit 2 of the port P2 direction register (address 00C516) to "0."

The operation of the serial I/O function is described below. The function of the serial I/O differs depending on the clock source; external clock or internal clock.

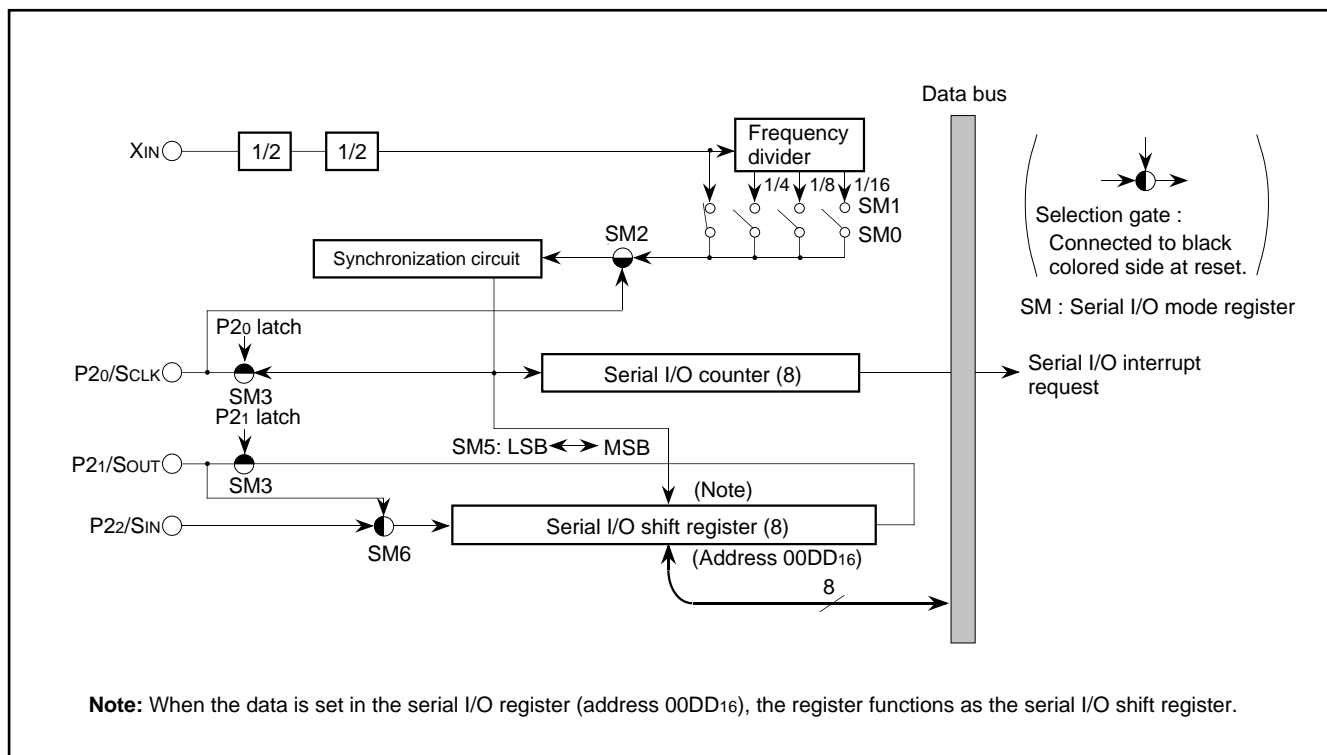


Fig. 9. Serial I/O block diagram



Internal clock—the serial I/O counter is set to “7” during write cycle into the serial I/O register (address 00DD16), and transfer clock goes “H” forcibly. At each falling edge of the transfer clock after the write cycle, serial data is output from the SOUT pin. Transfer direction can be selected by bit 5 of the serial I/O mode register. At each rising edge of the transfer clock, data is input from the SIN pin and data in the serial I/O register is shifted 1 bit.

After the transfer clock has counted 8 times, the serial I/O counter becomes “0” and the transfer clock stops at “H.” At this time the interrupt request bit is set to “1.”

External clock—when an external clock is selected as the clock source, the interrupt request is set to “1” after the transfer clock has counted 8 times. However, transfer operation does not stop, so control the clock externally. Use the external clock of 1MHz or less with a duty cycle of 50%.

The serial I/O timing is shown in Figure 11. When using an external clock for transfer, the external clock must be held at “H” for initializing the serial I/O counter. When switching between an internal clock and an external clock, do not switch during transfer. Also, be sure to initialize the serial I/O counter after switching.

**Notes 1:** On programming, note that the serial I/O counter is set by writing to the serial I/O register with the bit managing instructions as SEB and CLB instructions.

**2:** When an external clock is used as the synchronizing clock, write transmit data to the serial I/O register at “H” of the transfer clock input level.

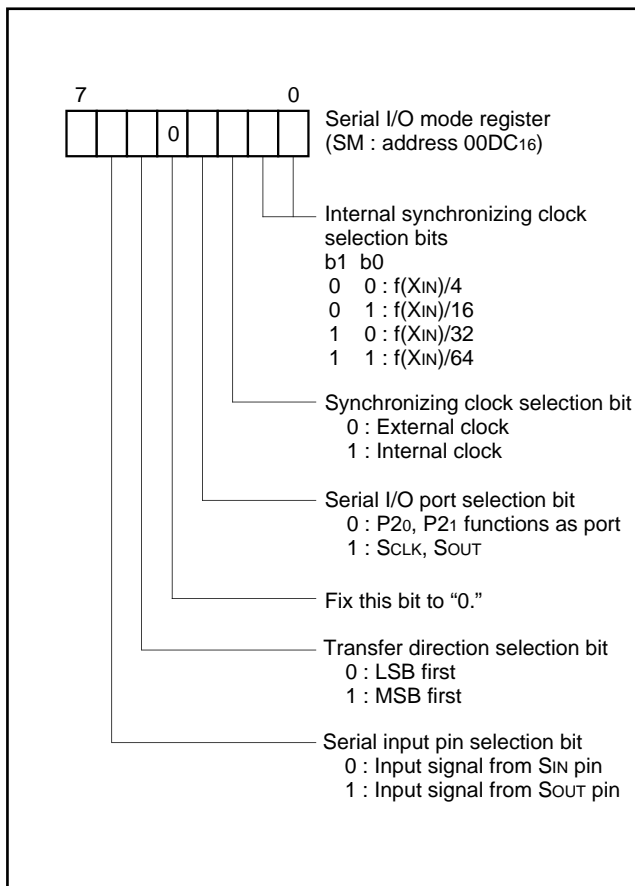


Fig. 10. Structure of serial I/O mode register

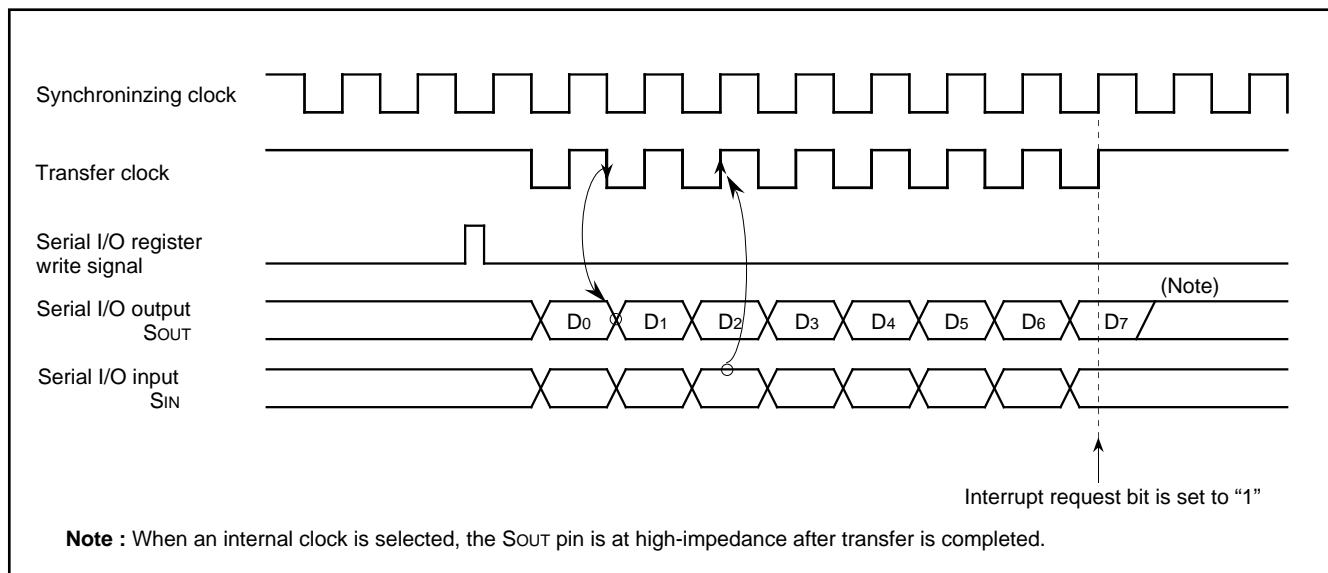


Fig. 11. Serial I/O timing (for LSB first)

**Serial I/O Common Transmission/Reception Mode**

By writing "1" to bit 6 of the serial I/O mode register, signals SIN and SOUT are switched internally to be able to transmit or receive the serial data.

Figure 12 shows signals on serial I/O common transmission/reception mode.

**Note:** When receiving the serial data after writing "FF16" to the serial I/O register.

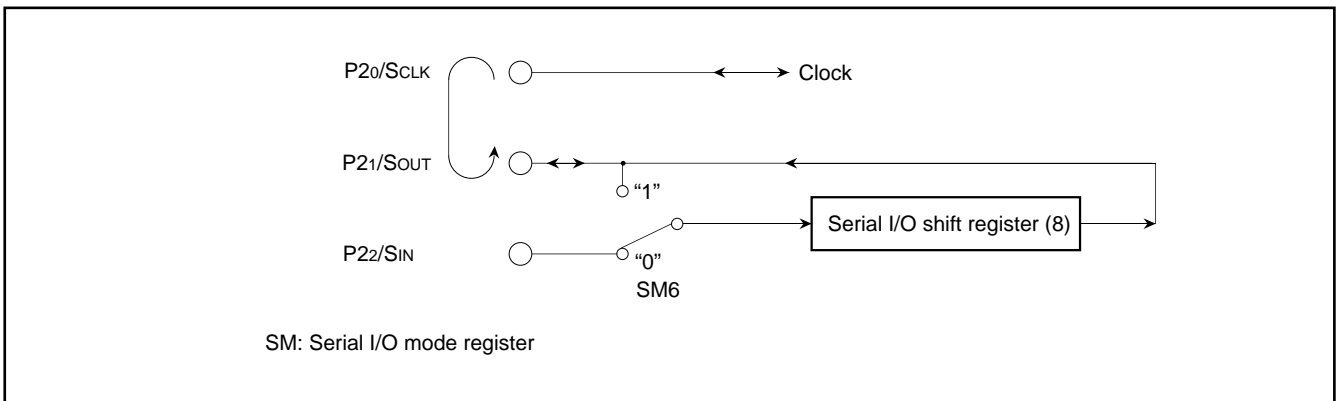


Fig. 12. Signals on serial I/O common transmission/reception mode

## PWM OUTPUT FUNCTION

The M37220M3-XXXSP is equipped with a 14-bit PWM (DA) and six 8-bit PWMs (PWM0–PWM5). DA has a 14-bit resolution with the minimum resolution bit width of 0.25 $\mu$ s (for  $f(X_{IN}) = 8$  MHz) and a repeat period of 4096 $\mu$ s. PWM0–PWM5 have the same circuit structure and an 8-bit resolution with minimum resolution bit width of 4 $\mu$ s (for  $f(X_{IN}) = 8$  MHz) and repeat period of 1024 $\mu$ s.

Figure 13 shows the PWM block diagram. The PWM timing generating circuit applies individual control signals to PWM0–PWM5 using  $f(X_{IN})$  divided by 2 as a reference signal.

### (1) Data Setting

When outputting DA, first set the high-order 8 bits to the DA-H register (address 00CE16), then the low-order 6 bits to the DA-L register (address 00CF16). When outputting PWM0–PWM5, set 8-bit output data in the PWMi register (i means 0 to 5; addresses 00D016 to 00D416, 00F616).

### (2) Transmitting Data from Register to PWM circuit

Data transfer from the 8-bit PWM register to 8-bit PWM circuit is executed at writing data to the register.

The signal output from the 8-bit PWM output pin corresponds to the contents of this register.

Also, data transfer from the DA register (addresses 00CE16 and 00CF16) to the 14-bit PWM circuit is executed at writing data to the DA-L register (address 00CF16). Reading from the DA-H register (address 00CE16) means reading this transferred data. Accordingly, it is possible to confirm the data being output from the D-A output pin by reading the DA register.

### (3) Operating of 8-bit PWM

The following is the explanation about PWM operation.

At first, set the bit 0 of PWM output control register 1 (address 00D516) to "0" (at reset, bit 0 is already set to "0" automatically), so that the PWM count source is supplied.

PWM0–PWM5 are also used as pins P00–P05 respectively. For PWM0–PWM5, set the corresponding bits of the port P0 direction register to "1" (output mode). And select each output polarity by bit 3 of the PWM output control register 2 (address 00D616). Then, set bits 2 to 7 of the PWM output control register 1 to "1" (PWM output). The PWM waveform is output from the PWM output pins by setting these registers.

Figure 14 shows the 8-bit PWM timing. One cycle (T) is composed of 256 ( $2^8$ ) segments. The 8 kinds of pulses relative to the weight of each bit (bits 0 to 7) are output inside the circuit during 1 cycle. Refer to Figure 14 (a). The 8-bit PWM outputs waveform which is the logical sum (OR) of pulses corresponding to the contents of bits 0 to 7 of the 8-bit PWM register. Several examples are shown in Figure 14 (b). 256 kinds of output ("H" level area: 0/256 to 255/256) are selected by changing the contents of the PWM register. A length of entirely "H" output cannot be output, i.e. 256/256.

### (4) Operating of 14-bit PWM

As with 8-bit PWM, set the bit 0 of the PWM output control register 1 (address 00D516) to "0" (at reset, bit 0 is already set to "0" automatically), so that the PWM count source is supplied. Next, select the output polarity by bit 2 of the PWM output control register 2 (address 00D616). Then, the 14-bit PWM outputs from the D-A output pin by setting bit 1 of the PWM output control register 1 to "0" (at reset, this bit already set to "0" automatically) to select the DA output.

The output example of the 14-bit PWM is shown in Figure 15.

The 14-bit PWM divides the data of the DA latch into the low-order 6 bits and the high-order 8 bits.

The fundamental waveform is determined with the high-order 8-bit data "DH." A "H" level area with a length  $\tau \times DH$  ("H" level area of fundamental waveform) is output every short area of "t" = 256 $\tau$  = 64 $\mu$ s ( $\tau$  is the minimum resolution bit width of 0.25 $\mu$ s). The "H" level area increase interval ( $t_m$ ) is determined with the low-order 6-bit data "DL." The "H" level area of smaller intervals " $t_m$ " shown in Table 2 is longer by  $\tau$  than that of other smaller intervals in PWM repeat period "T" = 64t. Thus, a rectangular waveform with the different "H" width is output from the D-A pin. Accordingly, the PWM output changes by  $\tau$  unit pulse width by changing the contents of the DA-H and DA-L registers. A length of entirely "H" output cannot be output, i. e. 256/256.

### (5) Output after Reset

At reset, the output of port P00–P05 is in the high-impedance state, and the contents of the PWM register and the PWM circuit are undefined. Note that after reset, the PWM output is undefined until setting the PWM register.



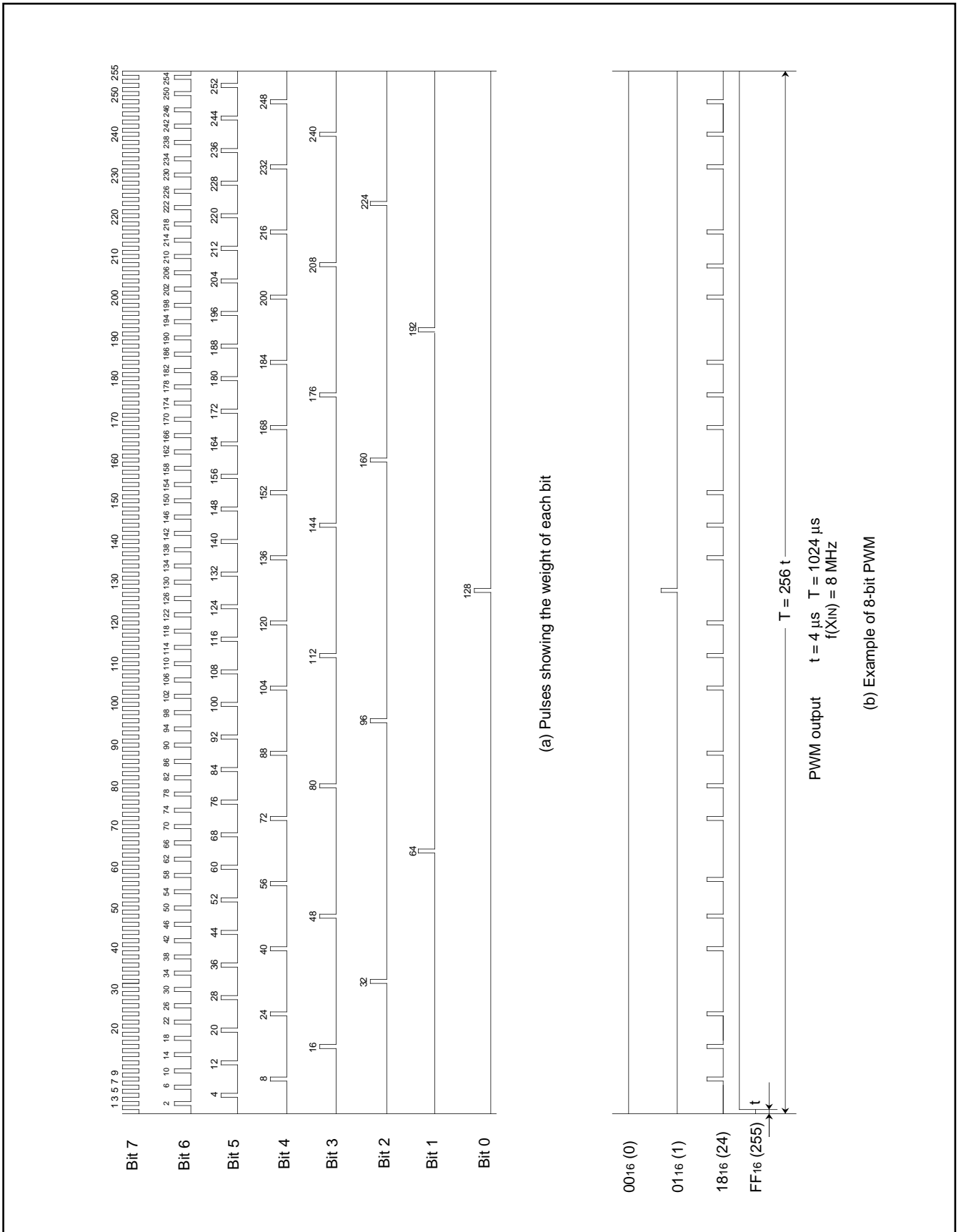


Fig. 14. 8-bit PWM timing

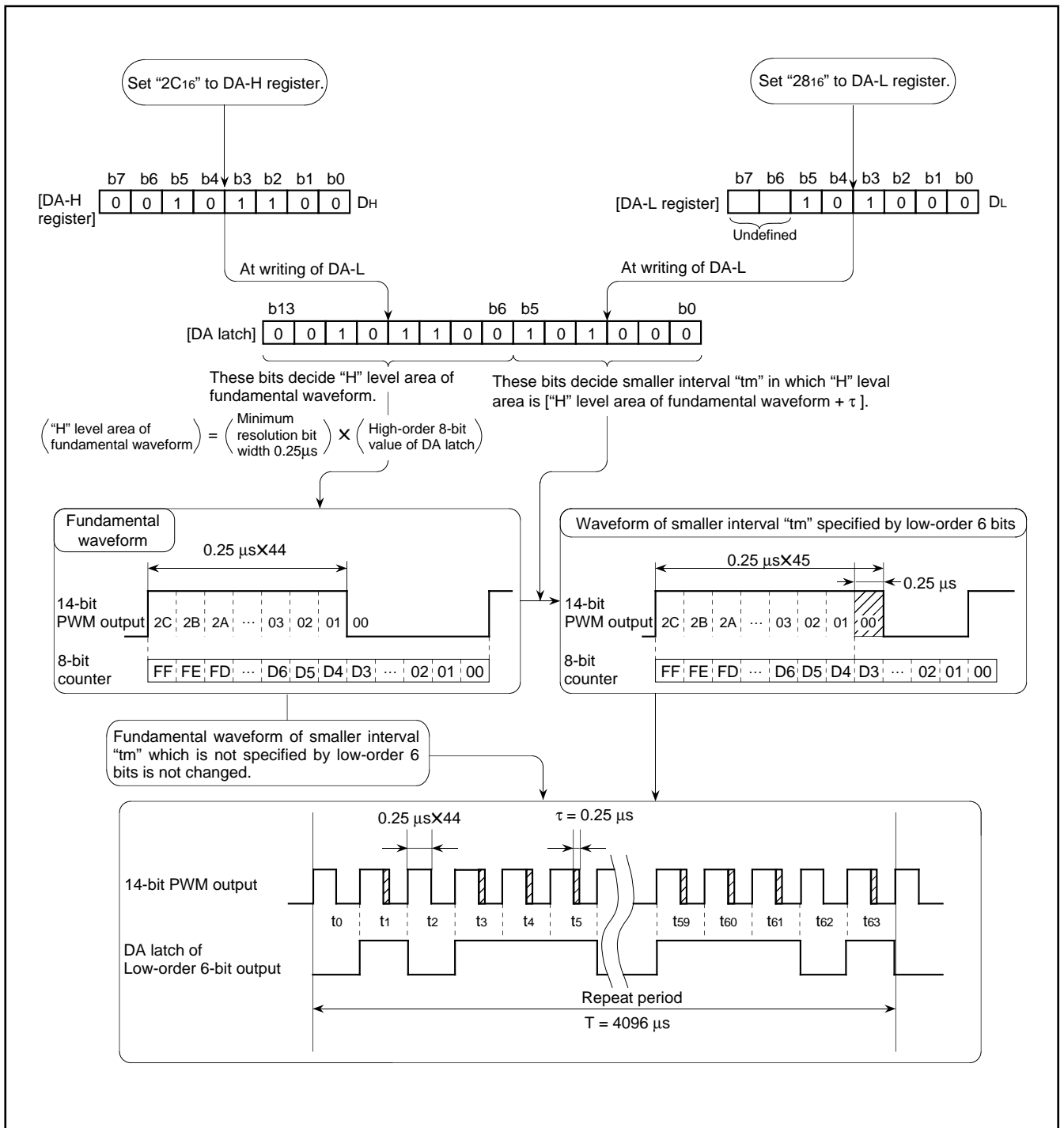


Fig. 15. 14-bit PWM output example (f(XIN)= 8 MHz)

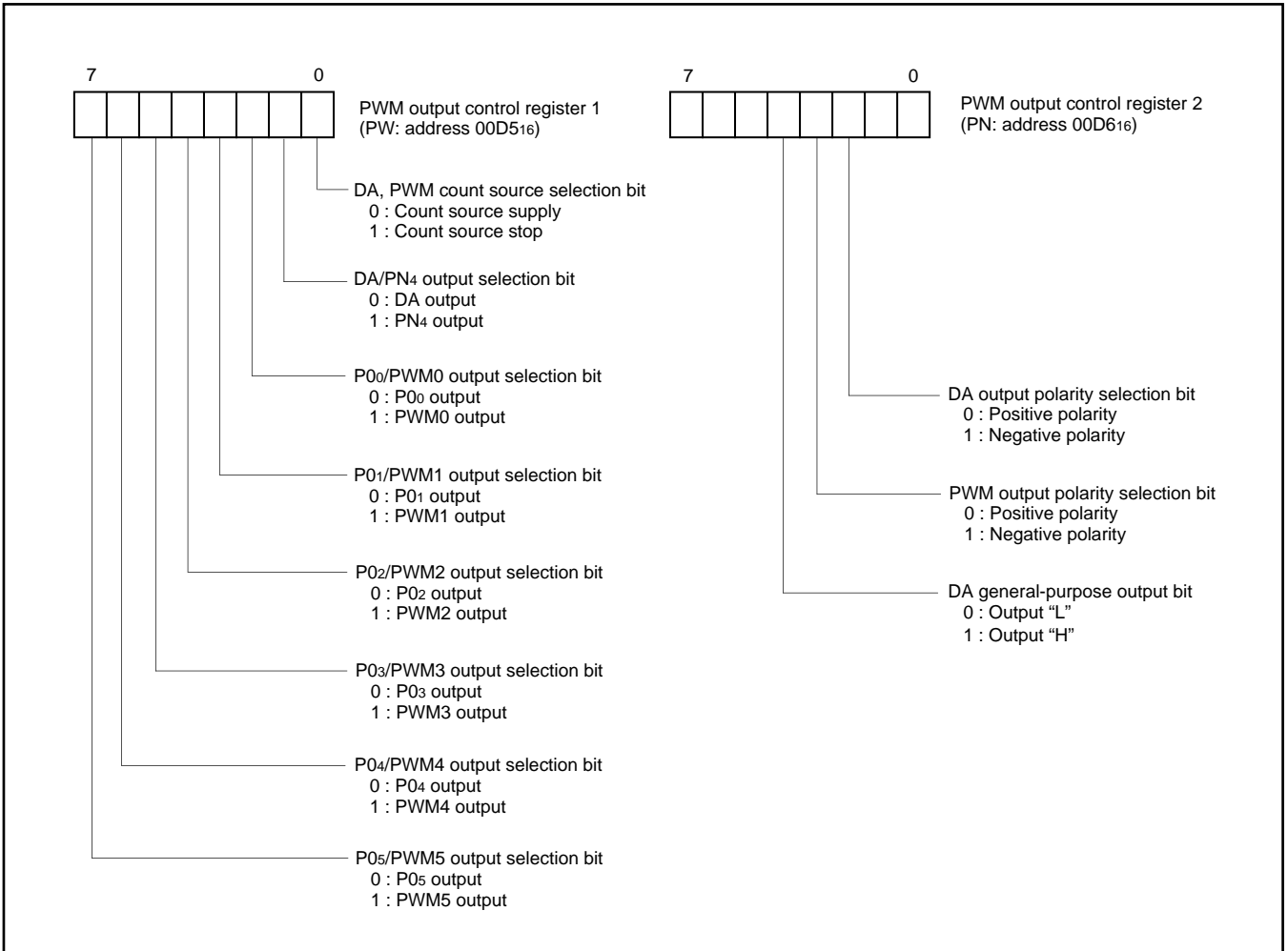


Fig. 16. Structure of PWM-related registers

**A-D COMPARATOR**

A-D comparator consists of 6-bit D-A converter and comparator. A-D comparator block diagram is shown in Figure 19.

The reference voltage "Vref" for D-A conversion is set by bits 0 to 5 of the A-D control register 2 (address 00EF16).

The comparison result of the analog input voltage and the reference voltage "Vref" is stored in bit 4 of the A-D control register 1 (address 00EE16).

For A-D comparison, set "0" to corresponding bits of the direction register to use ports as analog input pins. Write the data for select of analog input pins to bits 0 to 2 of the A-D control register 1 and write the digital value corresponding to Vref to be compared to the bits 0 to 5 of the A-D control register 2. The voltage comparison starts by writing to the A-D control register 2, and it is completed after 16 machine cycles (NOP instruction X 8).

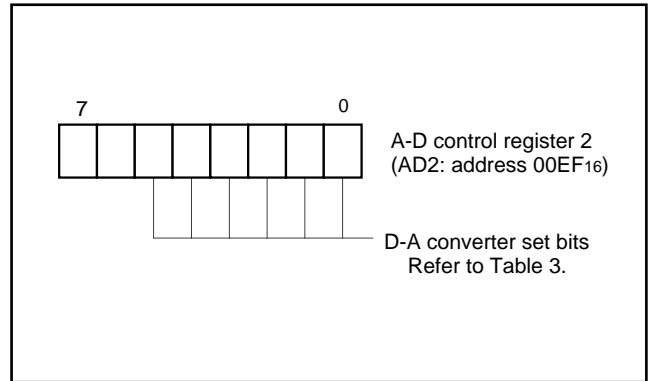


Fig.18. Structure of A-D control register 2

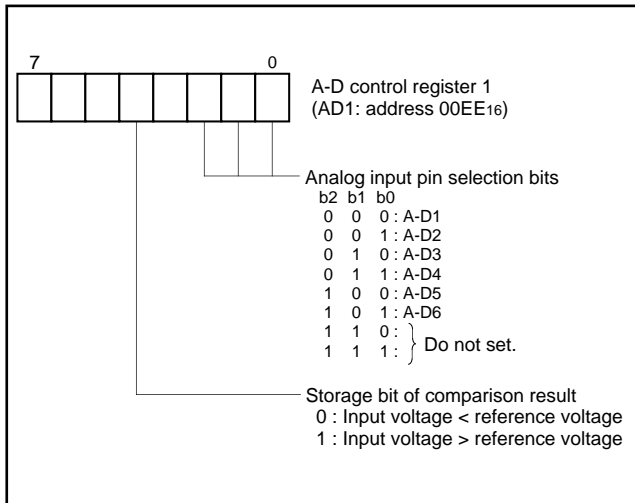


Fig. 17. Structure of A-D control register 1

Table 3. Relation between contents of A-D control register 2 and reference voltage "Vref"

| A-D control register 2 |       |       |       |       |       | Reference voltage "Vref" |
|------------------------|-------|-------|-------|-------|-------|--------------------------|
| Bit 5                  | Bit 4 | Bit 3 | Bit 2 | Bit 1 | Bit 0 |                          |
| 0                      | 0     | 0     | 0     | 0     | 0     | 1/128 Vcc                |
| 0                      | 0     | 0     | 0     | 0     | 1     | 3/128 Vcc                |
| 0                      | 0     | 0     | 0     | 1     | 0     | 5/128 Vcc                |
| ⋮                      | ⋮     | ⋮     | ⋮     | ⋮     | ⋮     | ⋮                        |
| 1                      | 1     | 1     | 1     | 0     | 1     | 123/128 Vcc              |
| 1                      | 1     | 1     | 1     | 1     | 0     | 125/128 Vcc              |
| 1                      | 1     | 1     | 1     | 1     | 1     | 127/128 Vcc              |

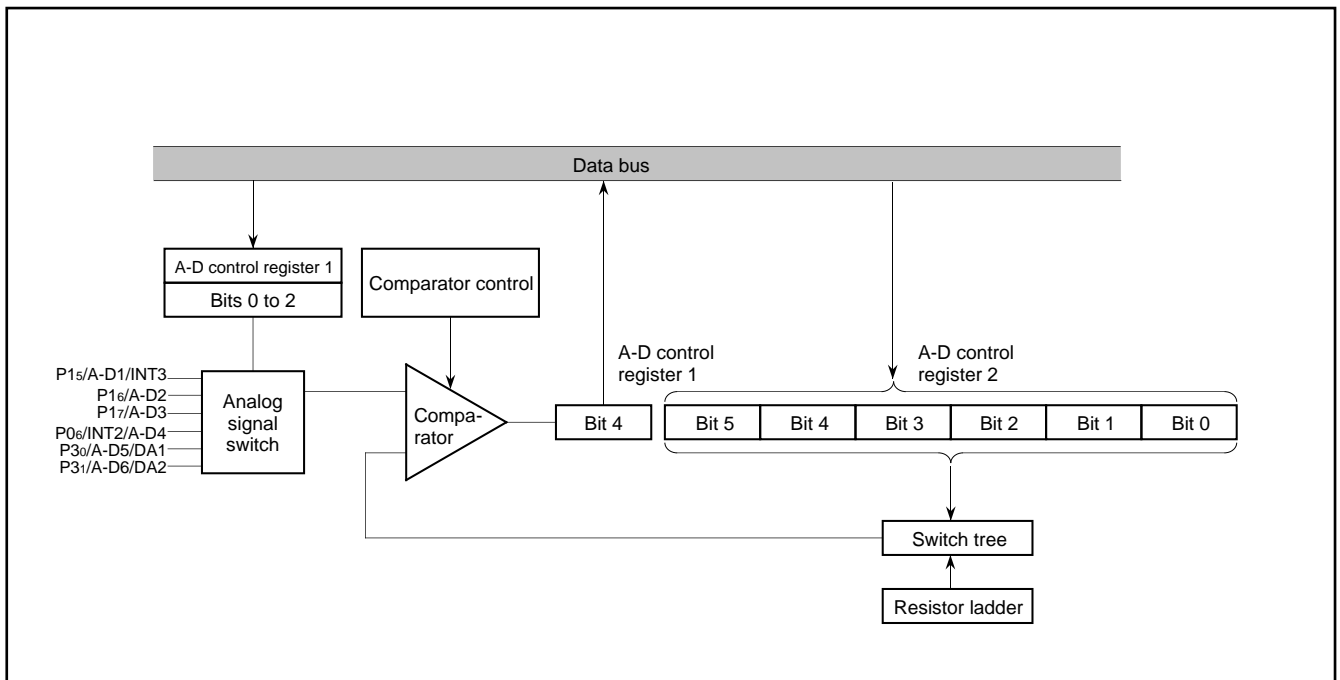


Fig. 19. A-D comparator block diagram



**D-A CONVERTER**

The M37220M3-XXXSP has 2 D-A converters with 6-bit resolution. D-A converter block diagram is shown in Figure 22.

D-A conversion is performed by setting the value in the DA conversion register. The result of D-A conversion is output from the DA pin by setting "1" to the DA output enable bit of the port P3 output mode control register (bits 2 and 3 at address 00CD16).

The output analog voltage V is determined with the value n (n: decimal number) in the DA conversion register.

$$V = V_{CC} \times \frac{n}{64} \quad (n = 0 \text{ to } 63)$$

The DA output does not build in a buffer, so connect an external buffer when driving a low-impedance load.

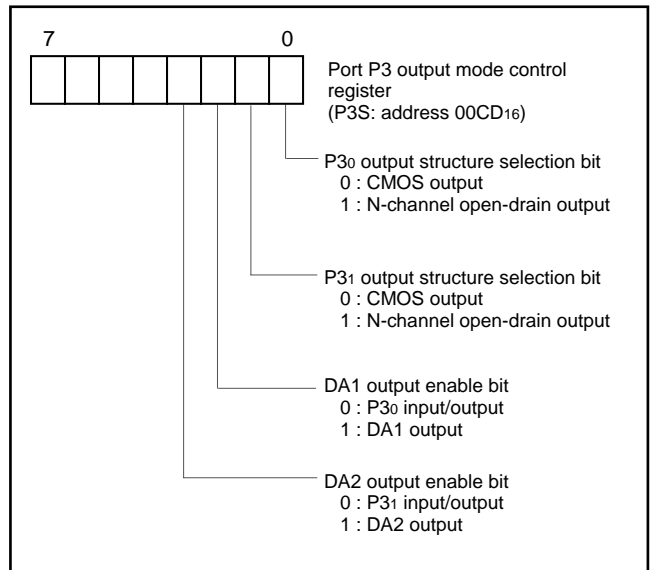


Fig.21. Structure of port P3 output mode register

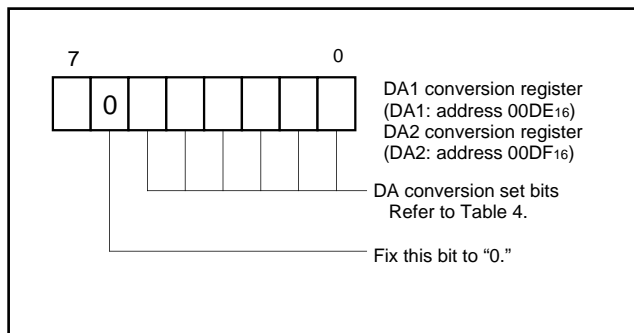


Fig. 20 Structure of D-A converter register

Table 4. Relation between contents of D-A conversion register and output voltage

| D-A conversion register |       |       |       |       |       | Output voltage "V"    |
|-------------------------|-------|-------|-------|-------|-------|-----------------------|
| Bit 5                   | Bit 4 | Bit 3 | Bit 2 | Bit 1 | Bit 0 |                       |
| 0                       | 0     | 0     | 0     | 0     | 0     | 0/64 V <sub>CC</sub>  |
| 0                       | 0     | 0     | 0     | 0     | 1     | 1/64 V <sub>CC</sub>  |
| 0                       | 0     | 0     | 0     | 1     | 0     | 2/64 V <sub>CC</sub>  |
| ⋮                       | ⋮     | ⋮     | ⋮     | ⋮     | ⋮     | ⋮                     |
| 1                       | 1     | 1     | 1     | 0     | 1     | 61/64 V <sub>CC</sub> |
| 1                       | 1     | 1     | 1     | 1     | 0     | 62/64 V <sub>CC</sub> |
| 1                       | 1     | 1     | 1     | 1     | 1     | 63/64 V <sub>CC</sub> |

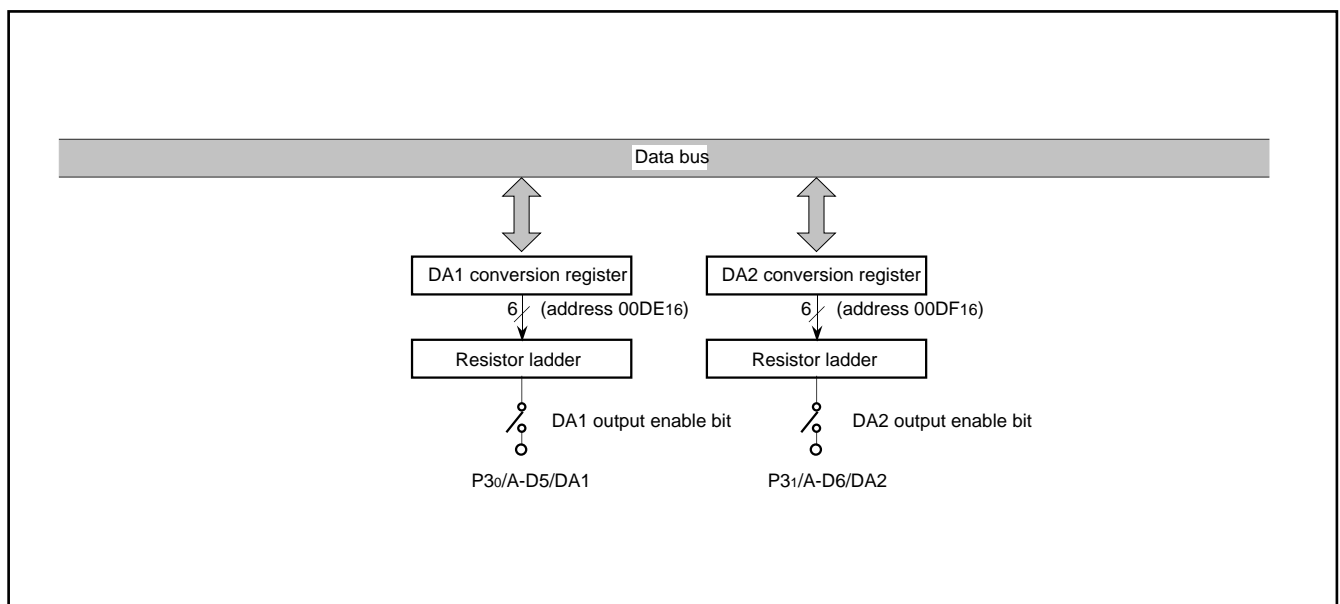


Fig. 22. D-A converter block diagram

**CRT DISPLAY FUNCTIONS**

**(1) Outline of CRT Display Functions**

Table 5 outlines the CRT display functions of the M37220M3-XXXSP. The M37220M3-XXXSP incorporates a CRT display control circuit of 20 characters X 2 lines. CRT display is controlled by the CRT control register. Up to 128 kinds of characters can be displayed. The colors can be specified for each character and up to 4 kinds of colors can be displayed on one screen. A combination of up to 7 colors can be obtained by using each output signal (R, G, and B). Characters are displayed in a 12 X 16 dots configuration to obtain smooth character patterns (refer to Figure 23).

The following shows the procedure how to display characters on the CRT screen.

- ① Write the display character code in the display RAM.
- ② Specify the display color by using the color register.
- ③ Write the color register in which the display color is set in the display RAM.
- ④ Specify the vertical position by using the vertical position register.
- ⑤ Specify the character size by using the character size register.
- ⑥ Specify the horizontal position by using the horizontal position register.
- ⑦ Write the display enable bit to the designated block display flag of the CRT control register. When this is done, the CRT display starts according to the input of the VSYNC signal.

The CRT display circuit has an extended display mode. This mode allows multiple lines (3 lines or more) to be displayed on the screen by interrupting the display each time one line is displayed and rewriting data in the block for which display is terminated by software.

Figure 24 shows the structure of the CRT display control register. Figure 25 shows the block diagram of the CRT display control circuit.

Table 5. Outline of CRT display functions

| Parameter                    |                 | Functions                          |
|------------------------------|-----------------|------------------------------------|
| Number of display characters |                 | 24 characters X 2 lines            |
| Dot structure                |                 | 12 X 16 dots (refer to Figure 23)  |
| Kinds of characters          |                 | 128 kinds                          |
| Kinds of character sizes     |                 | 3 kinds                            |
| Color                        | Kinds of colors | 1 screen: 4 kinds, maximum 7 kinds |
|                              | Coloring unit   | A character                        |
| Display expansion            |                 | Possible (multiline display)       |
| Raster coloring              |                 | Possible (maximum 7 kinds)         |

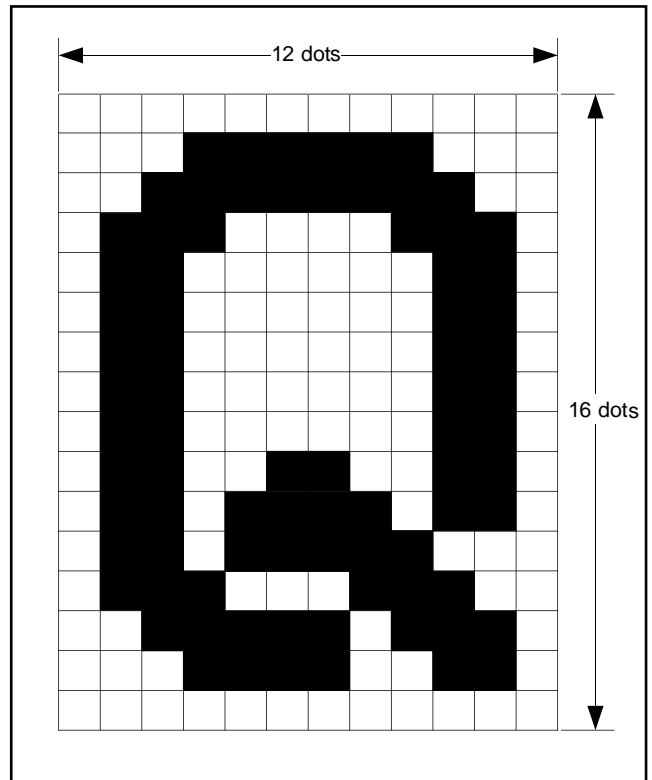


Fig. 23. CRT display character configuration

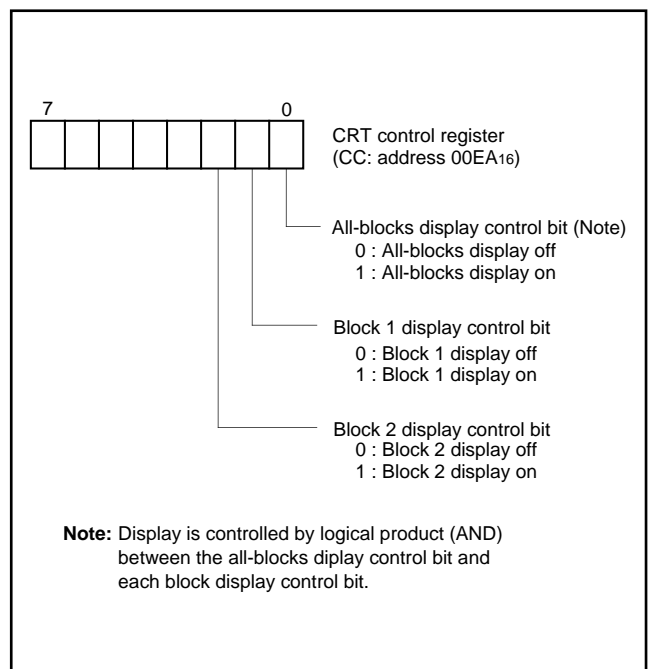


Fig. 24. Structure of CRT control register

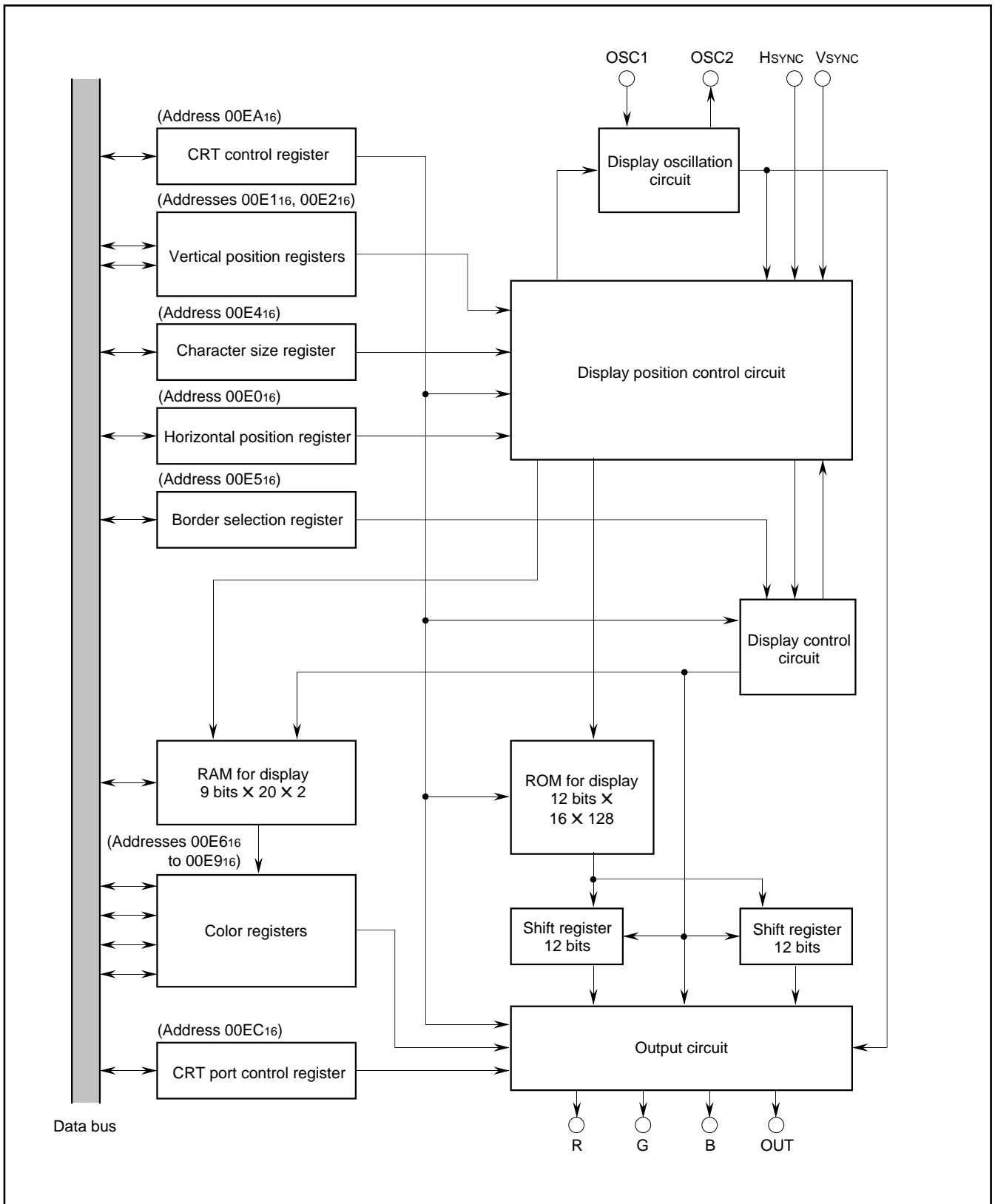


Fig. 25. Block diagram of CRT display control circuit

**(2) Display Position**

The display positions of characters are specified in units called a "block." There are 2 blocks, block 1 and block 2. Up to 20 characters can be displayed in each block (refer to (4) Memory for display).

The display position of each block can be set in both horizontal and vertical directions by software.

The display position in the horizontal direction can be selected for all blocks in common from 64-step display positions in units of 4Tc (Tc = oscillating cycle for display).

The display position in the vertical direction for each block can be selected from 128-step display positions in units of 4 scanning lines.

Block 2 is displayed after the display of block 1 is completed (refer to Figure 26 (a)). Accordingly, if the display of block 2 starts during the display of block 1, only block 1 is displayed. Similarly, when multiline display, block 1 is displayed after the display of block 2 is completed (refer to Figure 26 (b)).

The vertical position can be specified from 128-step positions (4 scanning lines per a step) for each block by setting values "00<sub>16</sub>" to "7F<sub>16</sub>" to bits 0 to 6 in the vertical position register (addresses 00E1<sub>16</sub> and 00E2<sub>16</sub>). Figure 28 shows the structure of the vertical position register.

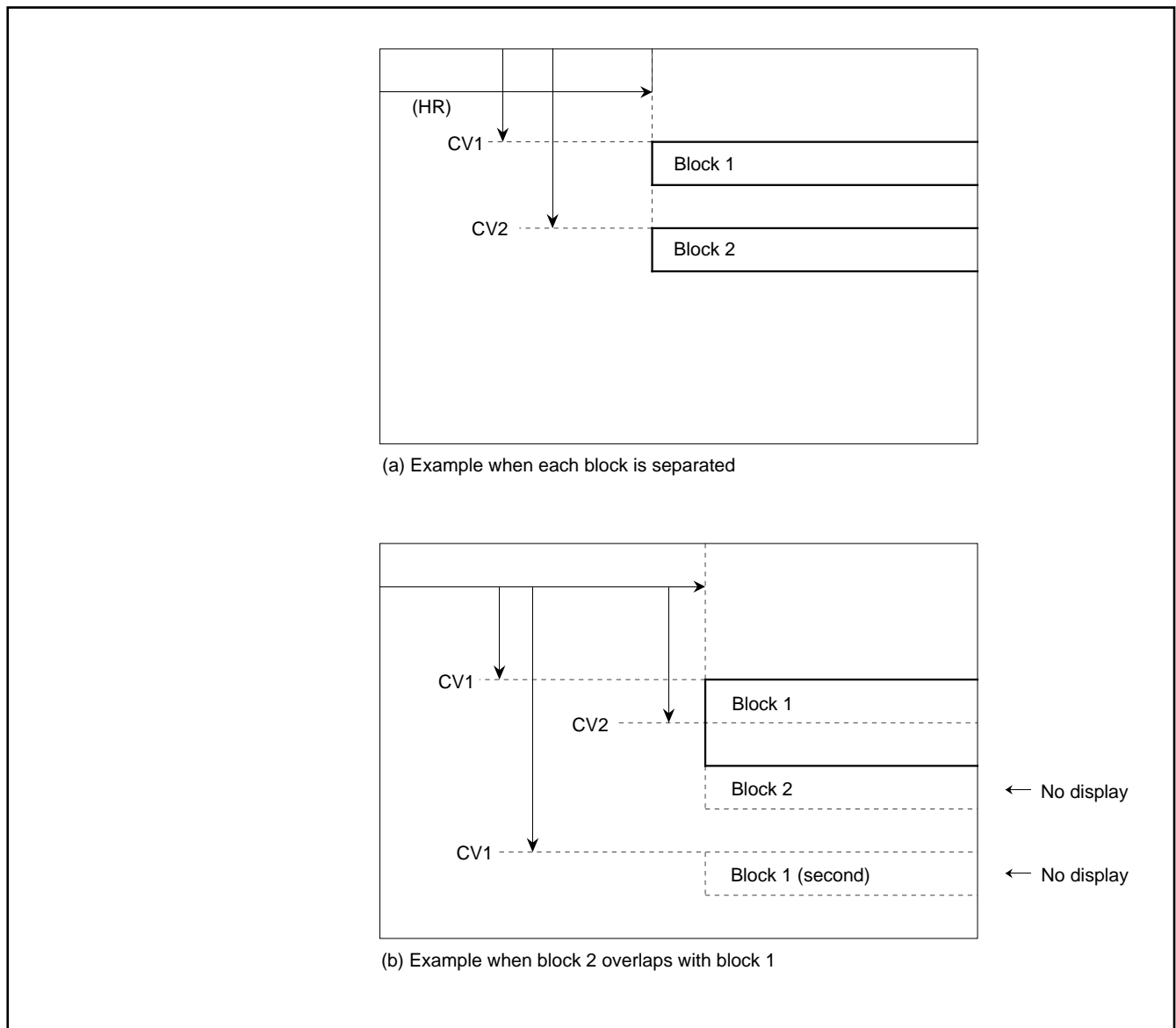


Fig. 26. Display position

The display position in the vertical direction is determined by counting the horizontal sync signal (HSYNC). At this time, it starts to count the rising edge (falling edge) of HSYNC signal from after about 1 machine cycle of rising edge (falling edge) of VSYNC signal. So interval from rising edge (falling edge) of VSYNC signal to rising edge (falling edge) of HSYNC signal needs enough time (2 machine cycles or more) for avoiding jitter. The polarity of HSYNC and VSYNC signals can select with the CRT port control register (address 00EC16). For details, refer to (8) CRT Output Pin Control.

**Note:** When bits 0 and 1 of the CRT port control register (address 00EC16) are set to "1" (negative polarity), the vertical position is determined by counting falling edge of HSYNC signal after rising edge of VSYNC control signal in the microcomputer (refer to Figure 27).

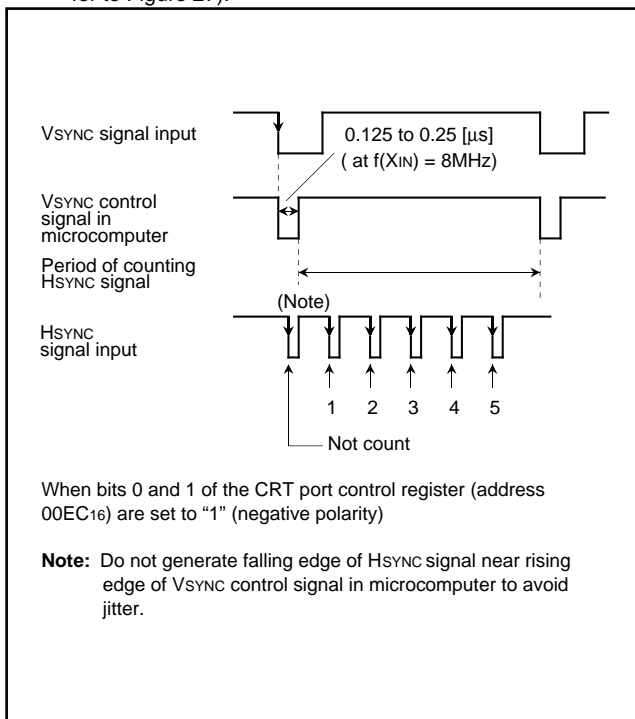


Fig. 27. Supplement explanation for display position

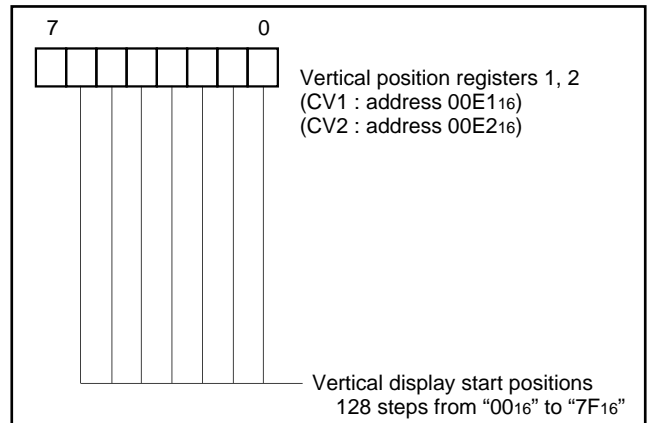


Fig. 28. Structure of vertical position register

The horizontal position is common to all blocks, and can be set in 64 steps (where 1 step is 4TC, TC being the display oscillation period) as values "0016" to "3F16" in bits 0 to 5 of the horizontal position register (address 00E016). The structure of the horizontal position register is shown in Figure 29.

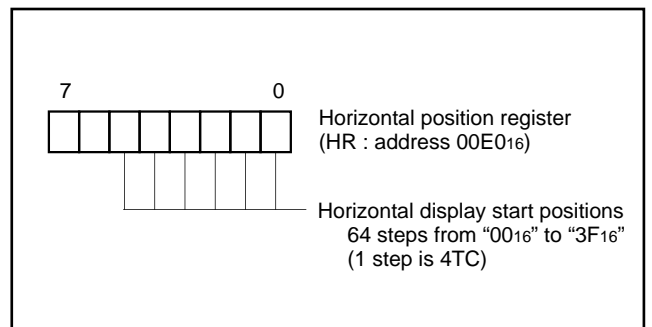


Fig. 29. Structure of horizontal position register

**(3) Character Size**

The size of characters to be displayed can be from 3 sizes for each block. Use the character size register (address 00E416) to set a character size. The character size of block 1 can be specified by using bits 0 and 1 of the character size register; the character size of block 2 can be specified by using bits 2 and 3. Figure 30 shows the structure of the character size register.

The character size can be selected from 3 sizes: minimum size, medium size and large size. Each character size is determined by the number of scanning lines in the height (vertical) direction and the oscillating cycle for display (Tc) in the width (horizontal) direction. The minimum size consists of [1 scanning line] X [1Tc]; the medium size consists of [2 scanning lines] X [2Tc]; and the large size consists of [3 scanning lines] X [3Tc]. Table 6 shows the relation between the set values in the character size register and the character sizes.

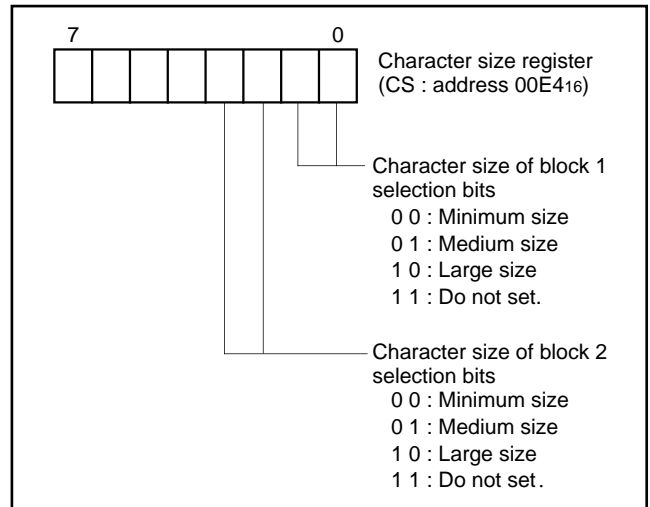


Fig. 30. Structure of character size register

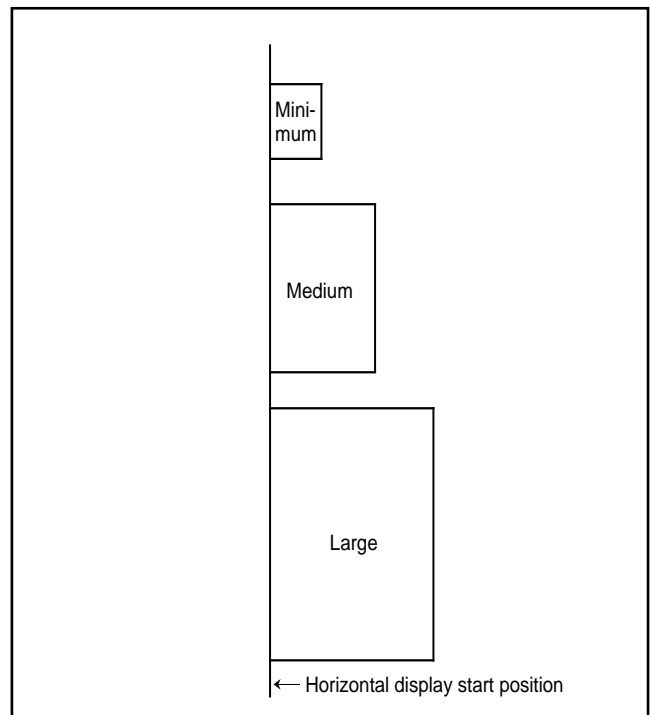


Fig. 31. Display start position of each character size (horizontal direction)

Table 6. Relation between set values in character size register and character sizes

| Set values of character size register |      | Character size        | Width (horizontal) direction<br>Tc: oscillating cycle for display | Height (vertical) direction<br>scanning lines |
|---------------------------------------|------|-----------------------|-------------------------------------------------------------------|-----------------------------------------------|
| CSn1                                  | CSn0 |                       |                                                                   |                                               |
| 0                                     | 0    | Minimum               | 1Tc                                                               | 1                                             |
| 0                                     | 1    | Medium                | 2Tc                                                               | 2                                             |
| 1                                     | 0    | Large                 | 3Tc                                                               | 3                                             |
| 1                                     | 1    | This is not available |                                                                   |                                               |

**Note:** The display start position in the horizontal direction is not affected by the character size. In other words, the horizontal display start position is common to all blocks even when the character size varies with each block (refer to Figure 31).

**(4) Memory for Display**

There are 2 types of memory for display : CRT display ROM (addresses 10000<sub>16</sub> to 10FFF<sub>16</sub>) used to store character dot data (masked) and CRT display RAM (addresses 0600<sub>16</sub> to 06B3<sub>16</sub>) used to specify the colors of characters to be displayed. The following describes each type of display memory.

① **ROM for display (addresses 10000<sub>16</sub> to 10FFF<sub>16</sub>)**

The CRT display ROM contains dot pattern data for characters to be displayed. For characters stored in this ROM to be actually displayed, it is necessary to specify them by writing the character code inherent to each character (code determined based on the addresses in the CRT display ROM) into the CRT display RAM. The character code list is shown in Table 7.

The CRT display ROM has a capacity of 4K bytes. Since 32 bytes are required for 1 character data, the ROM can store up to 128 kinds of characters.

The CRT display ROM space is broadly divided into 2 areas. The [vertical 16 dots] X [horizontal (left side) 8 dots] data of display characters are stored in addresses 10000<sub>16</sub> to 107FF<sub>16</sub>; the [vertical 16 dots] X [horizontal (right side) 4 dots] data of display characters are stored in addresses 10800<sub>16</sub> to 10FFF<sub>16</sub> (refer to Figure 32). Note however that the high-order 4 bits in the data to be written to addresses 10800<sub>16</sub> to 10FFF<sub>16</sub> must be set to "1" (by writing data "FX<sub>16</sub>").

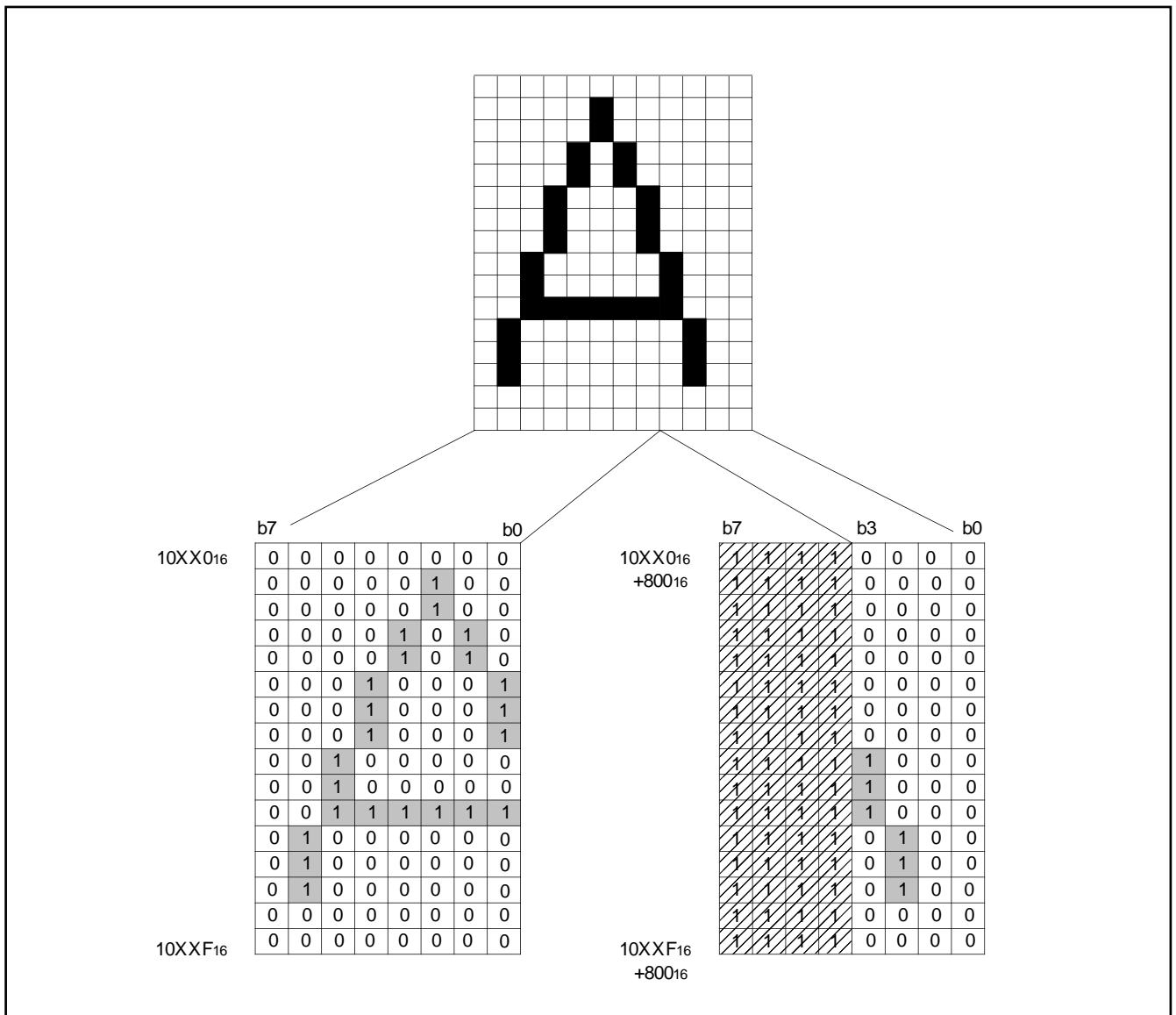


Fig. 32. Display character stored data

SINGLE-CHIP 8-BIT CMOS MICROCOMPUTER for VOLTAGE SYNTHESIZER  
with ON-SCREEN DISPLAY CONTROLLER

Table 7. Character code list (partially abbreviated)

| Character code   | Character data storage address                   |                                                  |
|------------------|--------------------------------------------------|--------------------------------------------------|
|                  | Left 8 dots lines                                | Right 4 dots lines                               |
| 00 <sub>16</sub> | 1000 <sub>16</sub><br>to<br>100F <sub>16</sub>   | 1080 <sub>16</sub><br>to<br>108F <sub>16</sub>   |
| 01 <sub>16</sub> | 1001 <sub>16</sub><br>to<br>1001F <sub>16</sub>  | 1081 <sub>16</sub><br>to<br>1081F <sub>16</sub>  |
| 02 <sub>16</sub> | 1002 <sub>16</sub><br>to<br>1002F <sub>16</sub>  | 1082 <sub>16</sub><br>to<br>1082F <sub>16</sub>  |
| 03 <sub>16</sub> | 1003 <sub>16</sub><br>to<br>1003F <sub>16</sub>  | 1083 <sub>16</sub><br>to<br>1083F <sub>16</sub>  |
| :                | :                                                | :                                                |
| 7E <sub>16</sub> | 107E0 <sub>16</sub><br>to<br>107EF <sub>16</sub> | 10FE0 <sub>16</sub><br>to<br>10FEF <sub>16</sub> |
| 7F <sub>16</sub> | 107F0 <sub>16</sub><br>to<br>107FF <sub>16</sub> | 10FF0 <sub>16</sub><br>to<br>10FFF <sub>16</sub> |

② RAM for display (addresses 0600<sub>16</sub> to 06B3<sub>16</sub>)

The CRT display RAM is allocated at addresses 0600<sub>16</sub> to 06B3<sub>16</sub>, and is divided into a display character code specification part and display color specification part for each block. Table 8 shows the contents of the CRT display RAM.

For example, to display 1 character position (the left edge) in block 1, write the character code in address 0600<sub>16</sub> and write the color register No. to the low-order 2 bits (bits 0 and 1) in address 0680<sub>16</sub>. The color register No. to be written here is one of the 4 color registers in which the color to be displayed is set in advance. For details on color registers, refer to (5) Color Registers. The structure of the CRT display RAM is shown in Figure 33.

Table 8. Contents of CRT display RAM

| Block   | Display position (from left) | Character code specification                   | Color specification                            |
|---------|------------------------------|------------------------------------------------|------------------------------------------------|
| Block 1 | 1st character                | 0600 <sub>16</sub>                             | 0680 <sub>16</sub>                             |
|         | 2nd character                | 0601 <sub>16</sub>                             | 0681 <sub>16</sub>                             |
|         | 3rd character                | 0602 <sub>16</sub>                             | 0682 <sub>16</sub>                             |
|         | :                            | :                                              | :                                              |
|         | 18nd character               | 0611 <sub>16</sub>                             | 0691 <sub>16</sub>                             |
|         | 19rd character               | 0612 <sub>16</sub>                             | 0692 <sub>16</sub>                             |
|         | 20th character               | 0613 <sub>16</sub>                             | 0693 <sub>16</sub>                             |
|         | Not used                     | 0614 <sub>16</sub><br>to<br>061F <sub>16</sub> | 0694 <sub>16</sub><br>to<br>069F <sub>16</sub> |
| Block 2 | 1st character                | 0620 <sub>16</sub>                             | 06A0 <sub>16</sub>                             |
|         | 2nd character                | 0621 <sub>16</sub>                             | 06A1 <sub>16</sub>                             |
|         | 3rd character                | 0622 <sub>16</sub>                             | 06A2 <sub>16</sub>                             |
|         | :                            | :                                              | :                                              |
|         | 18nd character               | 0631 <sub>16</sub>                             | 06B1 <sub>16</sub>                             |
|         | 19rd character               | 0632 <sub>16</sub>                             | 06B2 <sub>16</sub>                             |
|         | 20th character               | 0633 <sub>16</sub>                             | 06B3 <sub>16</sub>                             |



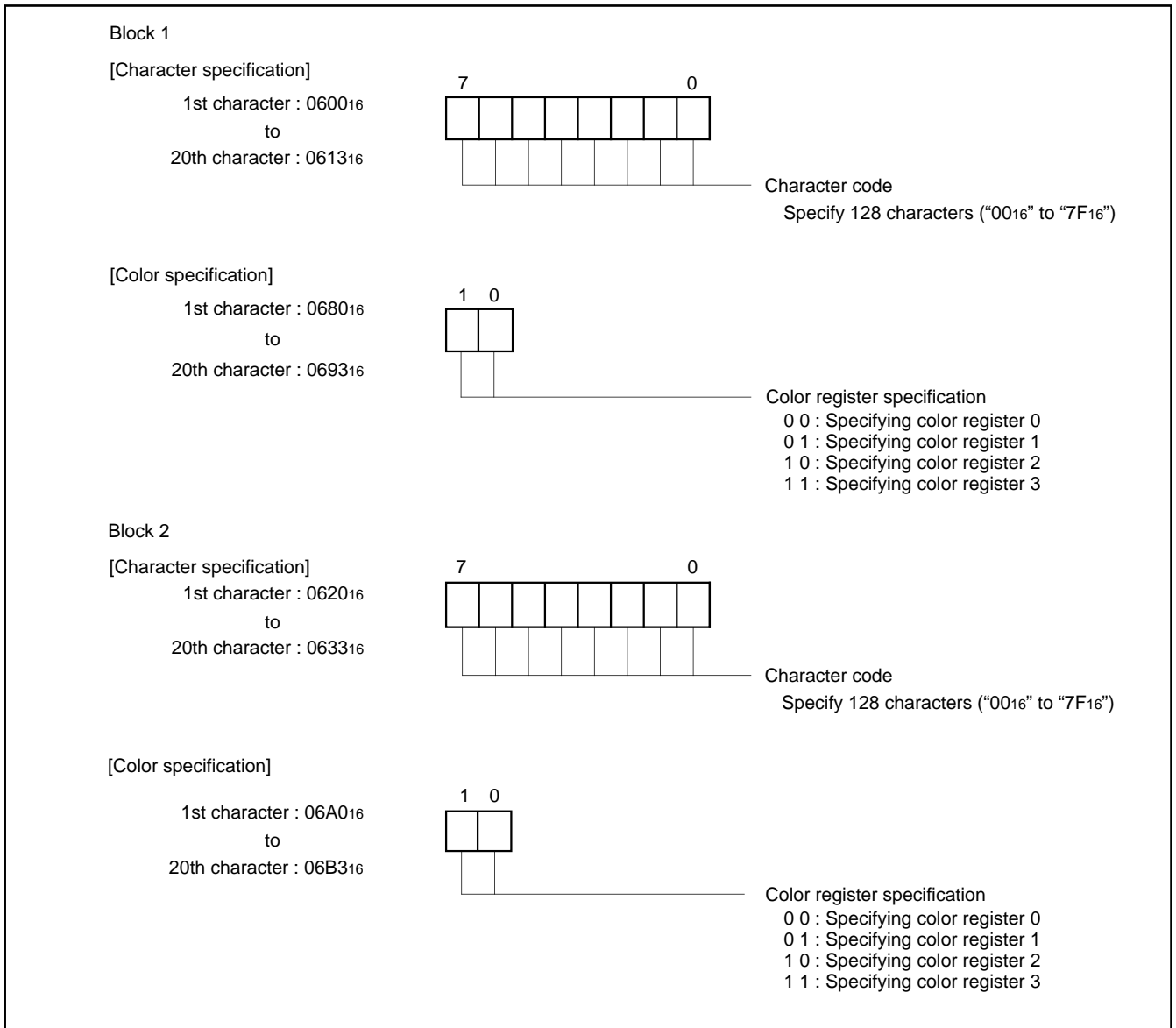


Fig. 33. Structure of CRT display RAM

**(5) Color Registers**

The color of a displayed character can be specified by setting the color to one of the 4 registers (CO0 to CO3: addresses 00E6<sub>16</sub> to 00E9<sub>16</sub>) and then specifying that color register with the CRT display RAM. There are 3 color outputs; R, G and B. By using a combination of these outputs, it is possible to set  $2^3-1$  (when no output) = 7 colors. However, since only 4 color registers are available, up to 4 colors can be disabled at one time.

R, G and B outputs are set by using bits 1 to 3 in the color register. Bit 5 is used to specify whether a character output or blank output. Figure 34 shows the structure of the color register.

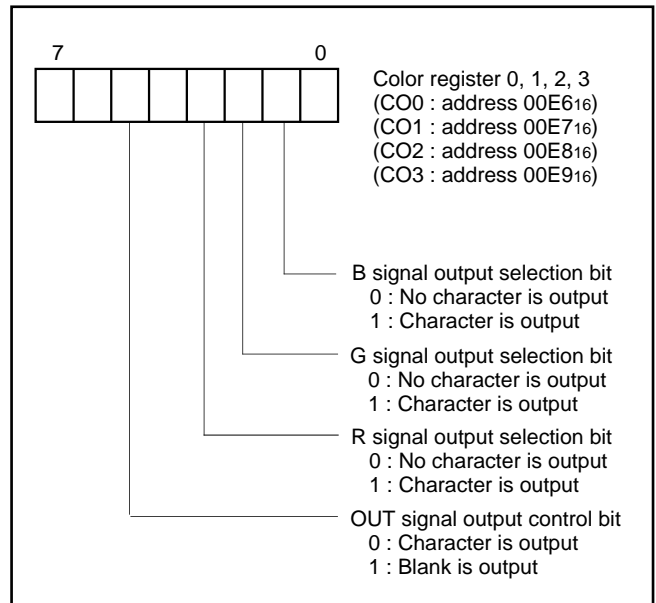


Fig. 34. Structure of color registers

**(6) Character Border Function**

An border of 1 clock (1 dot) equivalent size can be added to a character to be displayed in both horizontal and vertical directions. The border is output from the OUT pin. In this case, set bit 5 of a color register to "0" (character is output).

Border can be specified in units of block by using the border selection register (address 00E5<sub>16</sub>). Figure 35 shows the structure of the border selection register. Table 9 shows the relationship between the values set in the border selection register and the character border function.

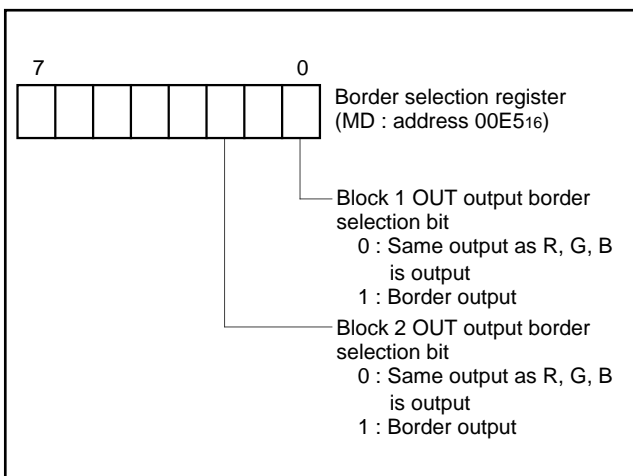


Fig. 35. Structure of border selection register

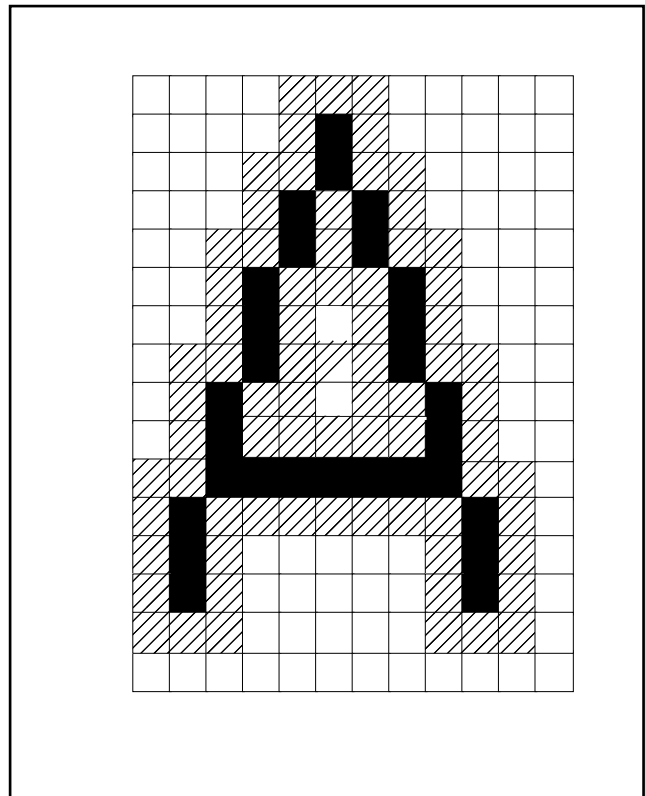


Fig. 36. Example of border

Table 9. Relationship between set value in border selection register and character border function

| Border selection register<br>MDn0 | Functions                  | Example of output            |
|-----------------------------------|----------------------------|------------------------------|
| 0                                 | Ordinary                   | R, G, B output<br>OUT output |
| 1                                 | Border including character | R, G, B output<br>OUT output |

**(7) Multiline Display**

The M37220M3-XXXSP can ordinarily display 2 lines on the CRT screen by displaying 2 blocks at different vertical positions. In addition, it can display up to 16 lines by using CRT interrupts.

A CRT interrupt request occurs at the point at which display of each block has been completed. In other words, when a scanning line reaches the point of the display position (specified by the vertical position registers) of a certain block, the character display of that block starts, and an interrupt occurs at the point at which the scanning line exceeds the block.

**Note:** A CRT interrupt does not occur at the end of display when the block is not displayed. In other words, if a block is set to off display with the display control bit of the CRT control register (address 00EA16), a CRT interrupt request does not occur (refer to Figure 37).

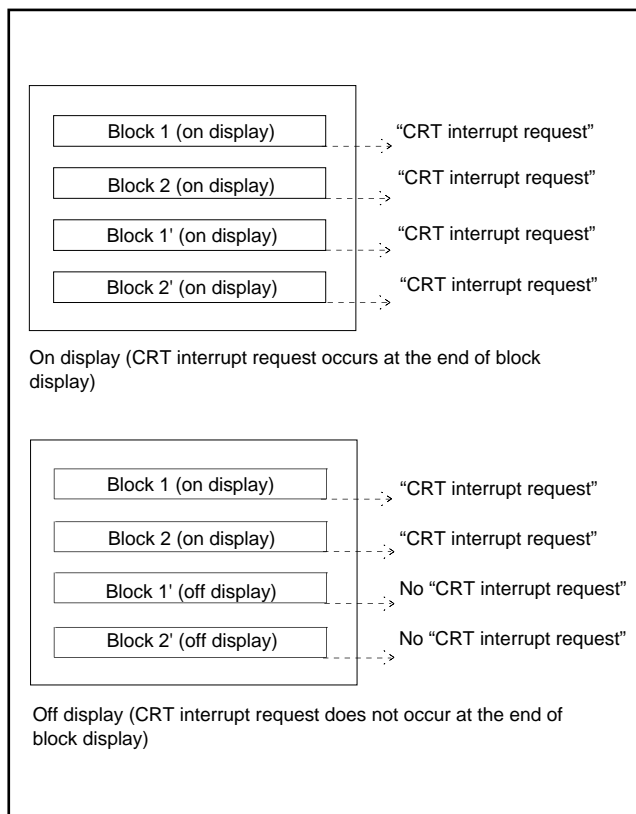


Fig. 37. Timing of CRT interrupt request

**(8) CRT Output Pin Control**

The CRT output pins R, G, B, and OUT can also function as ports P52, P53, P54 and P55. Set the corresponding bit of the port P5 direction register (address 00CB16) to "0" to specify these pins as CRT output pins, or set it to "1" to specify it as a general-purpose port P5 pins.

The input polarity of signals HSYNC and VSYNC and output polarity of signals R, G, B, and OUT can be specified with the bits of the CRT port control register (address 00EC16) . Set a bit to "0" to specify positive polarity; set it to "1" to specify negative polarity. The structure of the CRT port control register is shown in Figure 38.

**(9) Raster Coloring Function**

An entire screen (raster) can be colored by setting the bits 5 to 7 of the CRT port control register. Since each of the R, G, and B pins can be switched to raster coloring output, 7 raster colors can be obtained. If the R, G, and B pins have been set to MUTE signal output, a raster coloring signal is output in the part except a no-raster colored character (in Figure 39, a character "O") during 1 horizontal scanning period. This ensures that character colors do not mix with the raster color. In this case, MUTE signal is output from the OUT pin.

An example in which a magenta character "I" and a red character "O" are displayed with blue raster coloring is shown in Figure 39.

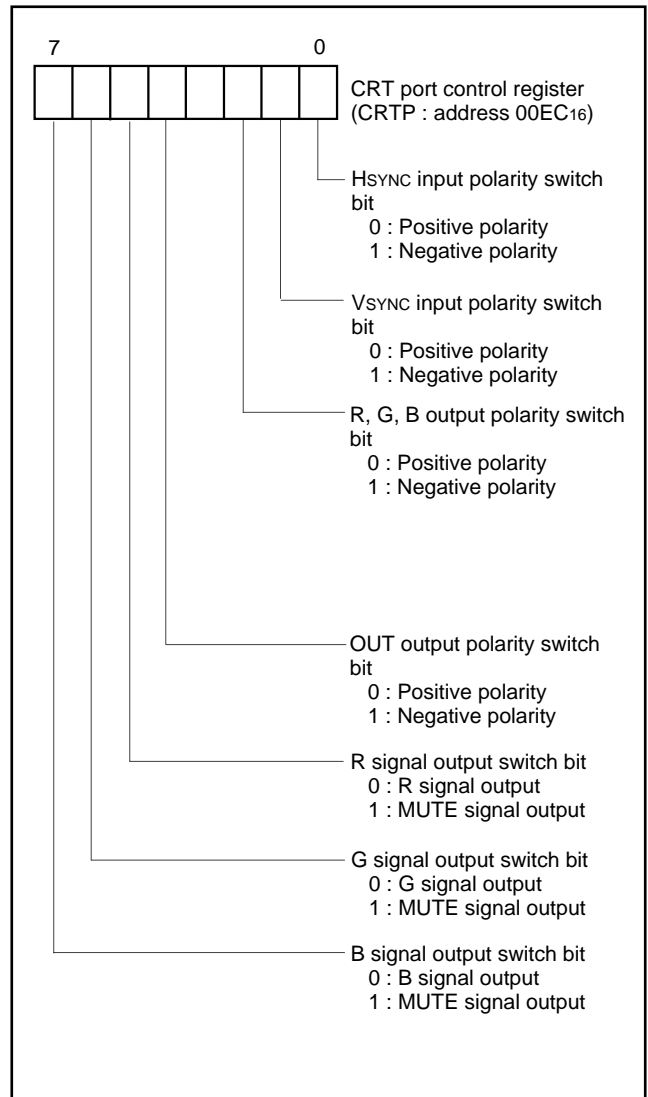


Fig. 38. Structure of CRT port control register

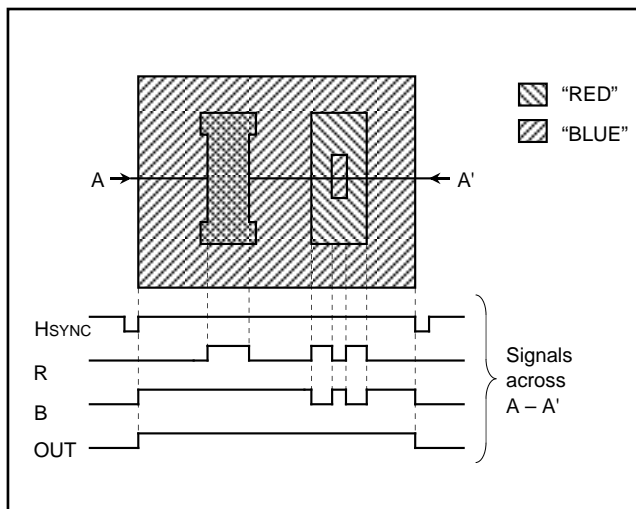


Fig. 39. Example of raster coloring

**(10) Clock for Display**

As a clock for display to be used for CRT display, it is possible to select one of the following 4 types.

- Main clock supplied from the XIN pin
- Main clock supplied from the XIN pin divided by 1.5
- Clock from the LC or RC supplied from the pins OSC1 and OSC2.
- Clock from the ceramic resonator or quartz-crystal oscillator supplied from the pins OSC1 and OSC2.

This clock for display can be selected for each block by the CRT clock selection register (address 00ED<sub>16</sub>).

When selecting the main clock, set the oscillation frequency to 8 MHz.

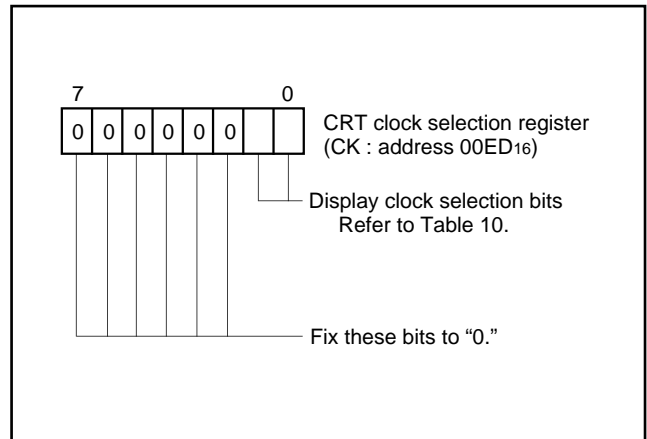


Fig. 40. Structure of CRT clock selection register

Table 10. Set value of CRT clock selection register and clock for display

| b1 | b0 | Functions                                                                                                                                                                                                                                                                                                    |                                             |
|----|----|--------------------------------------------------------------------------------------------------------------------------------------------------------------------------------------------------------------------------------------------------------------------------------------------------------------|---------------------------------------------|
| 0  | 0  | The clock for display is supplied by connecting RC or LC across the pins OSC1 and OSC2.                                                                                                                                                                                                                      |                                             |
| 0  | 1  | Since the main clock is used as the clock for display, the oscillation frequency is limited. Because of this, the character size in width (horizontal) direction is also limited. In this case, pins OSC1 and OSC2 are also used as input ports P33 and P34 respectively.                                    | CRT oscillation frequency = $f(X_{IN})$     |
| 1  | 0  |                                                                                                                                                                                                                                                                                                              | CRT oscillation frequency = $f(X_{IN})/1.5$ |
| 1  | 1  | The clock for display is supplied by connecting the following across the pins OSC1 and OSC2. <ul style="list-style-type: none"> <li>• a ceramic resonator only for CRT display and a feedback resistor</li> <li>• a quartz-crystal oscillator only for CRT display and a feedback resistor (Note)</li> </ul> |                                             |

**Note:** It is necessary to connect other ceramic resonator or quartz-crystal oscillator across the pins XIN and XOUT.

**RESET CIRCUIT**

The M37220M3-XXXSP is reset according to the sequence shown in Figure 41. It starts the program from the address formed by using the content of address FFFF<sub>16</sub> as the high-order address and the content of the address FFFE<sub>16</sub> as the low-order address, when the RESET pin is held at "L" level for 2 μs or more while the power source voltage is 5 V ± 10 % and the oscillation of a quartz-crystal oscillator

or a ceramic resonator is stable and then returned to "H" level. The internal state of microcomputer at reset are shown in Figure 43. An example of the reset circuit is shown in Figure 42. The reset input voltage must be kept 0.6 V or less until the power source voltage surpasses 4.5 V.

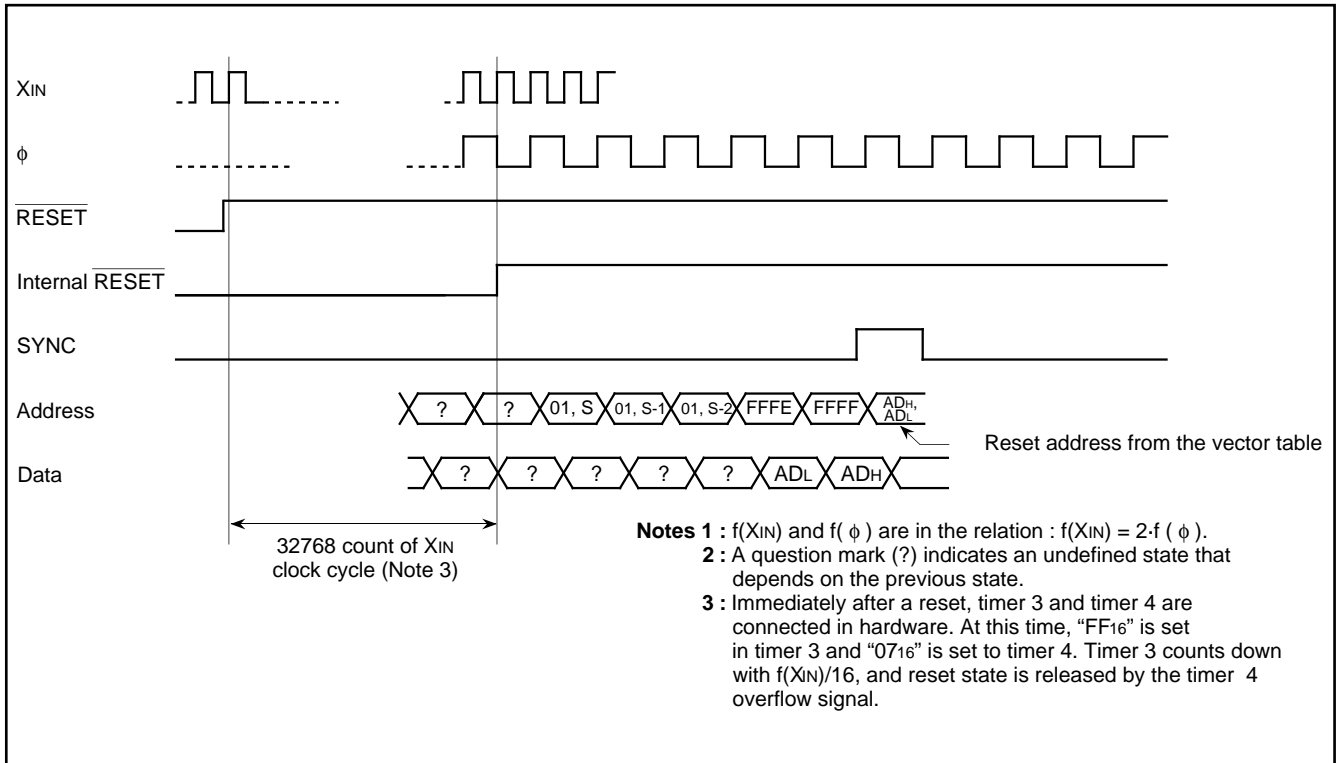


Fig. 41. Reset sequence

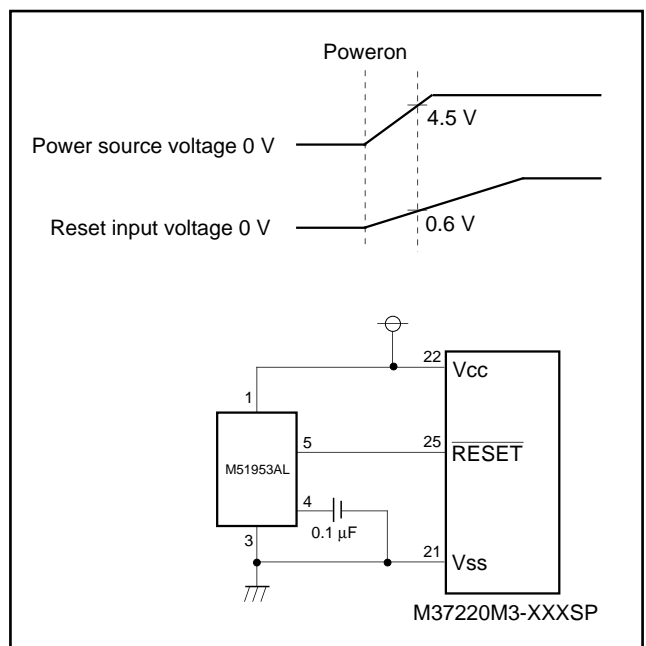


Fig. 42. Example of reset circuit

SINGLE-CHIP 8-BIT CMOS MICROCOMPUTER for VOLTAGE SYNTHESIZER  
with ON-SCREEN DISPLAY CONTROLLER

|                                      | Address               | Contents of register |                                   | Address               | Contents of register                  |
|--------------------------------------|-----------------------|----------------------|-----------------------------------|-----------------------|---------------------------------------|
| Port P0 direction register           | (00C1 <sub>16</sub> ) | 00 <sub>16</sub>     | CRT control register              | (00EA <sub>16</sub> ) | XXXXXXXX0000                          |
| Port P1 direction register           | (00C3 <sub>16</sub> ) | 00 <sub>16</sub>     | CRT port control register         | (00EC <sub>16</sub> ) | 0000XXXX0000                          |
| Port P2 direction register           | (00C5 <sub>16</sub> ) | 00 <sub>16</sub>     | CRT clock selection register      | (00ED <sub>16</sub> ) | XXXXXXXXXX00                          |
| Port P3 direction register           | (00C7 <sub>16</sub> ) | XXXXXXXX0000         | A-D control register 1            | (00EE <sub>16</sub> ) | XXXXX*0000                            |
| Port P5                              | (00CA <sub>16</sub> ) | XXXX*****X           | A-D control register 2            | (00EF <sub>16</sub> ) | XX00000000                            |
| Port P5 direction register           | (00CB <sub>16</sub> ) | XX0000XX             | Timer 1                           | (00F0 <sub>16</sub> ) | FF <sub>16</sub>                      |
| Port P3 output mode control register | (00CD <sub>16</sub> ) | XXXXXXXX0000         | Timer 2                           | (00F1 <sub>16</sub> ) | 07 <sub>16</sub>                      |
| DA-L register                        | (00CF <sub>16</sub> ) | XXXX*****            | Timer 3                           | (00F2 <sub>16</sub> ) | FF <sub>16</sub>                      |
| PWM output control register 1        | (00D5 <sub>16</sub> ) | 00 <sub>16</sub>     | Timer 4                           | (00F3 <sub>16</sub> ) | 07 <sub>16</sub>                      |
| PWM output control register 2        | (00D6 <sub>16</sub> ) | XXXX0000XX           | Timer 12 mode register            | (00F4 <sub>16</sub> ) | XXXX000000                            |
| Serial I/O mode register             | (00DC <sub>16</sub> ) | X00X0000             | Timer 34 mode register            | (00F5 <sub>16</sub> ) | XX00000000                            |
| DA1 conversion register              | (00DE <sub>16</sub> ) | XXXX*****            | Interrupt input polarity register | (00F9 <sub>16</sub> ) | XX000XXXX                             |
| DA2 conversion register              | (00DF <sub>16</sub> ) | XXXX*****            | CPU mode register                 | (00FB <sub>16</sub> ) | XXXXXXXX1XX                           |
| Horizontal register                  | (00E0 <sub>16</sub> ) | XX00000000           | Interrupt request register 1      | (00FC <sub>16</sub> ) | 0X00000000                            |
| Vertical position register 1         | (00E1 <sub>16</sub> ) | X*****               | Interrupt request register 2      | (00FD <sub>16</sub> ) | XXXX0X0000                            |
| Vertical position register 2         | (00E2 <sub>16</sub> ) | X*****               | Interrupt control register 1      | (00FE <sub>16</sub> ) | 0X00000000                            |
| Character size register              | (00E4 <sub>16</sub> ) | XXXXX*****           | Interrupt control register 2      | (00FF <sub>16</sub> ) | XXXX0X0000                            |
| Border selection register            | (00E5 <sub>16</sub> ) | XXXXXX*XX            | Processor status register         | (PS)                  | *****1**                              |
| Color register 0                     | (00E6 <sub>16</sub> ) | XX0XX000XX           | Program counter                   | (PC <sub>H</sub> )    | Contents of addressFFFF <sub>16</sub> |
| Color register 1                     | (00E7 <sub>16</sub> ) | XX0XX000XX           |                                   | (PC <sub>L</sub> )    | Contents of addressFFFE <sub>16</sub> |
| Color register 2                     | (00E8 <sub>16</sub> ) | XX0XX000XX           |                                   |                       |                                       |
| Color register 3                     | (00E9 <sub>16</sub> ) | XX0XX000XX           |                                   |                       |                                       |

**Note :** The contents of all other registers and RAM are undefined at reset, so their initial values.

\* : Undefined  
X : Unused bit

Fig. 43. Internal state of microcomputer at reset



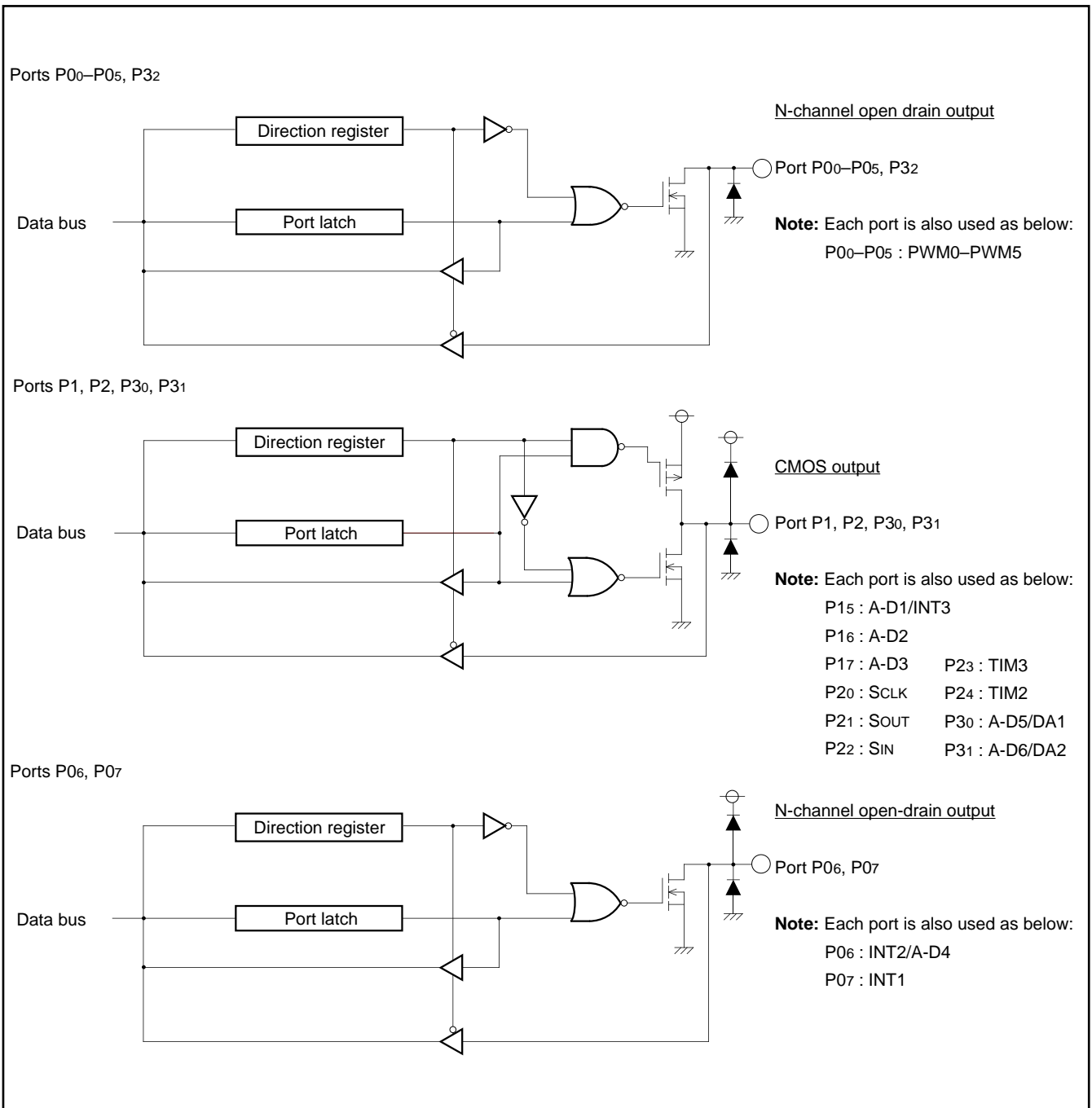


Fig. 44. I/O pin block diagram (1)

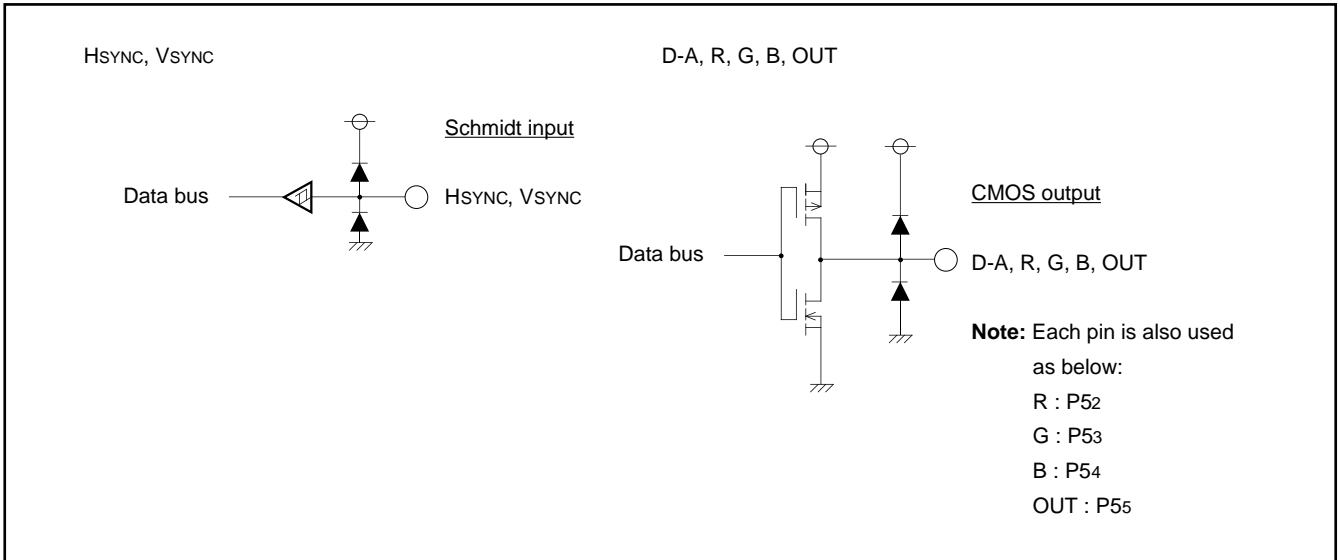


Fig. 45. I/O pin block diagram (2)

# M37220M3-XXXSP

SINGLE-CHIP 8-BIT CMOS MICROCOMPUTER for VOLTAGE SYNTHESIZER  
with ON-SCREEN DISPLAY CONTROLLER

## CLOCK GENERATING CIRCUIT

The built-in clock generating circuit is shown in Figure 48. When the STP instruction is executed, the internal clock stops at "H" level. At the same time, timers 3 and 4 are connected in hardware and "FF16" is set in the timer 3, "0716" is set in the timer 4. Select  $f(X_{IN})/16$  as the timer 3 count source (set bit 0 of the timer 34 mode register to "0" before the execution of the STP instruction). And besides, set the timer 3 and timer 4 interrupt enable bits to disabled ("0") before execution of the STP instruction). The oscillator restarts when external interrupt is accepted, however, the internal clock keeps its "H" level until timer 4 overflows. Because this allows time for oscillation stabilizing when a ceramic resonator or a quartz-crystal oscillator is used. When the WIT instruction is executed, the internal clock stops in the "H" level but the oscillator continues running. This wait state is released when an interrupt is accepted (Note). Since the oscillator does not stop, the next instruction can be executed at once. When returning from the stop or the wait state, to accept an interrupt, set the corresponding interrupt enable bit to "1" before executing the STP or the WIT instructions.

**Note:** In the wait mode, the following interrupts are invalid.

- (1) VSYNC interrupt
- (2) CRT interrupt
- (3)  $f(X_{IN})/4096$  interrupt
- (4) Timer 1 interrupt using  $f(X_{IN})/4096$  as count source
- (5) Timer 2 interrupt using P24/TIM2 pin input as count source
- (6) Timer 3 interrupt using P23/TIM3 pin input as count source
- (7) Timer 4 interrupt using  $f(X_{IN})/2$  as count source
- (8) Multi-master I<sup>2</sup>C-BUS interface interrupt

The circuit example using a ceramic resonator (or a quartz-crystal oscillator) is shown in Figure 46. Use the circuit constants in accordance with the resonator manufacture's recommended values. The circuit example with external clock input is shown in Figure 47. Input the clock to the X<sub>IN</sub> pin, and open the X<sub>OUT</sub> pin.

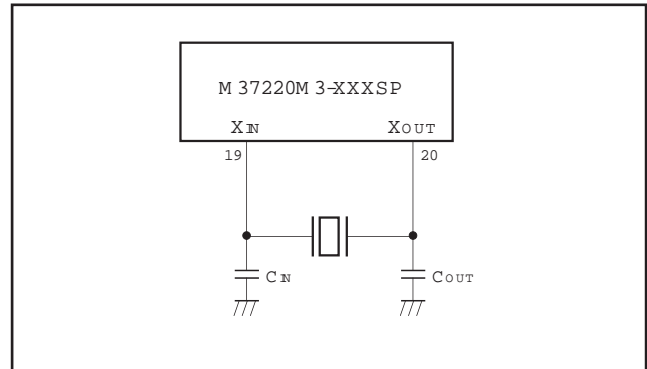


Fig. 46. Ceramic resonator circuit example

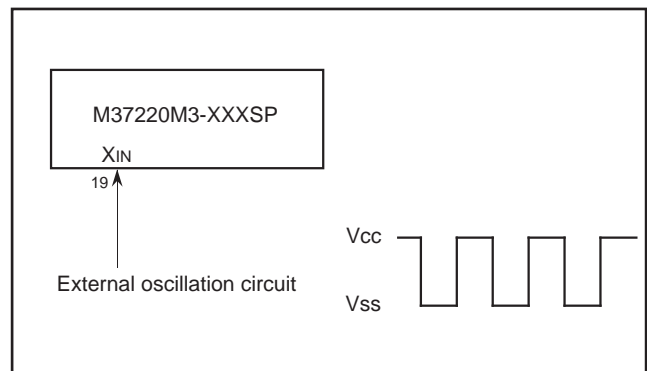


Fig. 47. External clock input circuit example

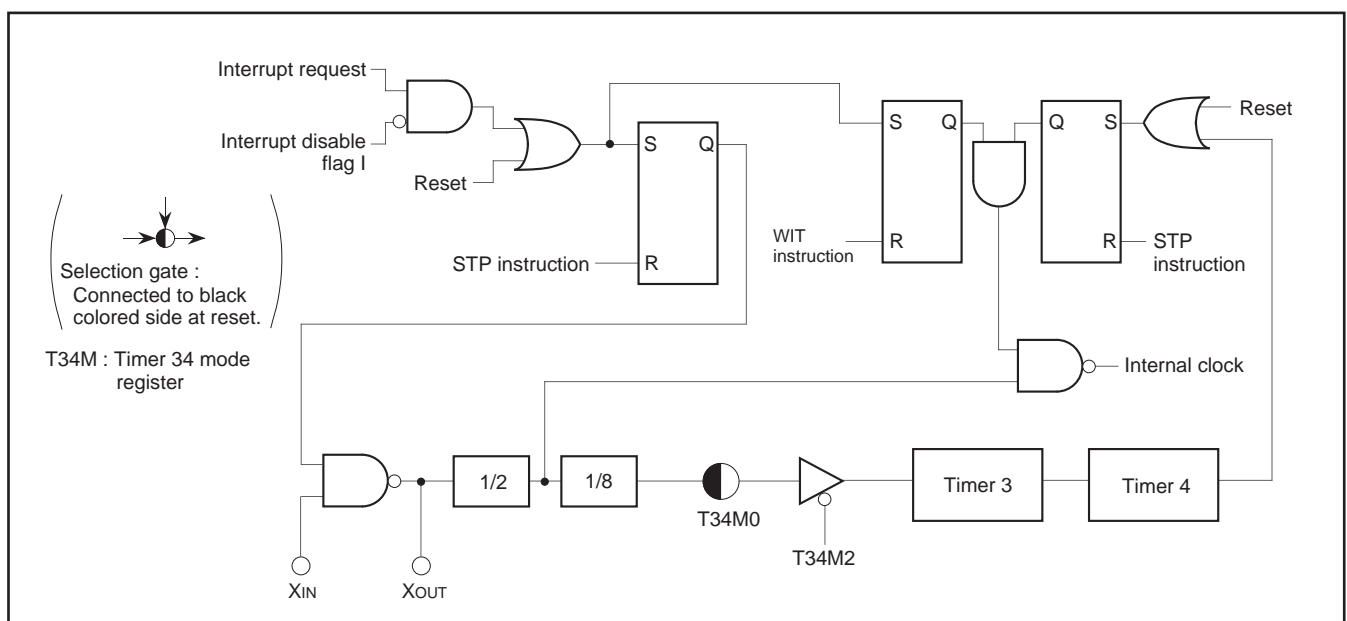


Fig. 48. Clock generating circuit block diagram

### DISPLAY OSCILLATION CIRCUIT

The CRT display clock oscillation circuit has a built-in clock oscillation circuits, so that a clock for display can be obtained simply by connecting an LC, an RC, a ceramic resonator or a quartz-crystal oscillator circuit across the pins OSC 1 and OSC 2. Select the clock for display with bits 0 and 1 of the CRT clock selection register (address 00ED16).

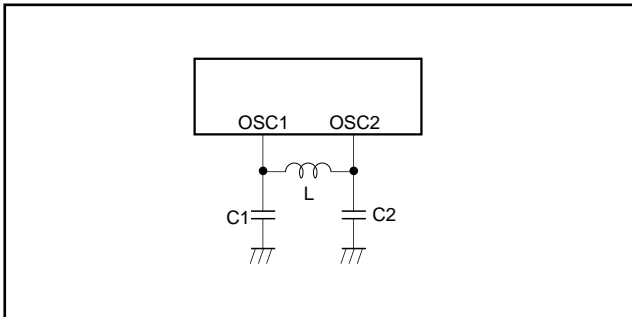


Fig. 49. Display oscillation circuit

### AUTO-CLEAR CIRCUIT

When power source is supplied, the auto-clear function can be performed by connecting the following circuit to the RESET pin.

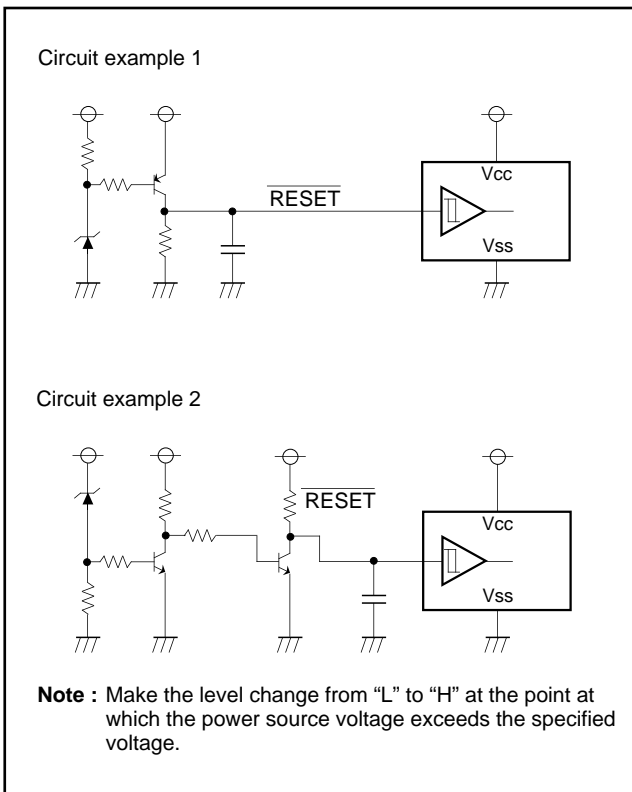


Fig. 50. Auto-clear circuit example

### ADDRESSING MODE

The memory access is reinforced with 17 kinds of addressing modes. Refer to the SERIES 740 <Software> User's Manual for details.

### MACHINE INSTRUCTIONS

There are 71 machine instructions. Refer to the SERIES 740 <Software> User's Manual for details.

### PROGRAMMING NOTES

- (1) The divide ratio of the timer is  $1/(n+1)$ .
- (2) Even though the BBC and BBS instructions are executed immediately after the interrupt request bits are modified (by the program), those instructions are only valid for the contents before the modification. At least one instruction cycle is needed (such as an NOP) between the modification of the interrupt request bits and the execution of the BBC and BBS instructions.
- (3) After the ADC and SBC instructions are executed (in decimal mode), one instruction cycle (such as an NOP) is needed before the SEC, CLC, or CLD instruction is executed.
- (4) An NOP instruction is needed immediately after the execution of a PLP instruction.
- (5) In order to avoid noise and latch-up, connect a bypass capacitor ( $\approx 0.1 \mu\text{F}$ ) directly between the Vcc pin-Vss pin and the Vcc pin-CNVss pin using a thick wire.

### DATA REQUIRED FOR MASK ORDERS

The following are necessary when ordering a mask ROM production:

- (1) Mask ROM Order Confirmation Form
- (2) Mask Specification Form
- (3) Data to be written to ROM, in EPROM form (32-pin DIP type 27C101, three identical copies)

SINGLE-CHIP 8-BIT CMOS MICROCOMPUTER for VOLTAGE SYNTHESIZER  
with ON-SCREEN DISPLAY CONTROLLER

**ABSOLUTE MAXIMUM RATINGS**

| Symbol | Parameter                                                                         | Conditions                                                     | Ratings           | Unit |
|--------|-----------------------------------------------------------------------------------|----------------------------------------------------------------|-------------------|------|
| VCC    | Power source voltage VCC                                                          | All voltages are based on VSS. Output transistors are cut off. | -0.3 to 6         | V    |
| VI     | Input voltage CNVSS                                                               |                                                                | -0.3 to 6         | V    |
| VI     | Input voltage P00-P07, P10-P17, P20-P27, P30-P34, OSC1, XIN, HSYNC, VSYNC, RESET  |                                                                | -0.3 to VCC + 0.3 | V    |
| VO     | Output voltage P06, P07, P10-P17, P20-P27, P30-P32, R, G, B, OUT, D-A, XOUT, OSC2 |                                                                | -0.3 to VCC + 0.3 | V    |
| VO     | Output voltage P00-P05                                                            |                                                                | -0.3 to 13        | V    |
| IOH    | Circuit current R, G, B, OUT, P10-P17, P20-P27, P30, P31, D-A                     |                                                                | 0 to 1 (Note 1)   | mA   |
| IOL1   | Circuit current R, G, B, OUT, P06, P07, P10-P17, P20-P23, P30-P32, D-A            |                                                                | 0 to 2 (Note 2)   | mA   |
| IOL2   | Circuit current P00-P05                                                           |                                                                | 0 to 1 (Note 2)   | mA   |
| IOL3   | Circuit current P24-P27                                                           |                                                                | 0 to 10 (Note 3)  | mA   |
| Pd     | Power dissipation                                                                 | Ta = 25 °C                                                     | 550               | mW   |
| Topr   | Operating temperature                                                             |                                                                | -10 to 70         | °C   |
| Tstg   | Storage temperature                                                               |                                                                | -40 to 125        | °C   |

**RECOMMENDED OPERATING CONDITIONS** (Ta = -10 °C to 70 °C, VCC = 5 V ± 10 %, unless otherwise noted)

| Symbol | Parameter                                                                                                                     | Limits |      |         | Unit |
|--------|-------------------------------------------------------------------------------------------------------------------------------|--------|------|---------|------|
|        |                                                                                                                               | Min.   | Typ. | Max.    |      |
| VCC    | Power source voltage (Note 4), During CPU, CRT operation                                                                      | 4.5    | 5.0  | 5.5     | V    |
| VSS    | Power source voltage                                                                                                          | 0      | 0    | 0       | V    |
| VIH1   | "H" input voltage P00-P07, P10-P17, P20-P27, P30-P34, SIN, SCLK, HSYNC, VSYNC, RESET, XIN, OSC1, TIM2, TIM3, INT1, INT2, INT3 | 0.8VCC |      | VCC     | V    |
| VIL1   | "L" input voltage P00-P07, P10-P17, P20-P27, P30-P34                                                                          | 0      |      | 0.4 VCC | V    |
| VIL2   | "L" input voltage HSYNC, VSYNC, RESET, TIM2, TIM3, INT1, INT2, INT3, XIN, OSC1, SIN, SCLK                                     | 0      |      | 0.2 VCC | V    |
| IOH    | "H" average output current (Note 1) R, G, B, OUT, D-A, P10-P17, P20-P27, P30, P31                                             |        |      | 1       | mA   |
| IOL1   | "L" average output current (Note 2) R, G, B, OUT, D-A, P06, P07, P10-P17, P20-P27, P30-P32                                    |        |      | 2       | mA   |
| IOL2   | "L" average output current (Note 2) P00-P05                                                                                   |        |      | 1       | mA   |
| IOL3   | "L" average output current (Note 3) P24-P27                                                                                   |        |      | 10      | mA   |
| fCPU   | Oscillation frequency (for CPU operation) (Note 5) XIN                                                                        | 7.9    | 8.0  | 8.1     | MHz  |
| fCRT   | Oscillation frequency (for CRT display) (Note 5) OSC1                                                                         | 5.0    |      | 8.0     | MHz  |
| fhs1   | Input frequency TIM2, TIM3                                                                                                    |        |      | 100     | kHz  |
| fhs2   | Input frequency SCLK                                                                                                          |        |      | 1       | MHz  |

- Notes 1:** The total current that flows out of the IC must be 20 mA (max.).  
**2:** The total input current to IC (IOL1 + IOL2) must be 30 mA or less.  
**3:** The total average input current for ports P24-P27 to IC must be 20 mA or less.  
**4:** Connect 0.1µF or more capacitor externally across the power source pins VCC-VSS so as to reduce power source noise. Also connect 0.1µF or more capacitor externally across the pins VCC-CNVSS.  
**5:** Use a quartz-crystal oscillator or a ceramic resonator for the CPU oscillation circuit.

**M37220M3-XXXSP**

SINGLE-CHIP 8-BIT CMOS MICROCOMPUTER for VOLTAGE SYNTHESIZER  
with ON-SCREEN DISPLAY CONTROLLER

**ELECTRIC CHARACTERISTICS** ( $V_{CC} = 5\text{ V} \pm 10\%$ ,  $V_{SS} = 0\text{ V}$ ,  $f(X_{IN}) = 8\text{ MHz}$ ,  $T_a = -10\text{ }^\circ\text{C}$  to  $70\text{ }^\circ\text{C}$ , unless otherwise noted)

| Symbol  | Parameter               |                                                         | Test conditions                                         | Limits  |      |      | Unit |               |
|---------|-------------------------|---------------------------------------------------------|---------------------------------------------------------|---------|------|------|------|---------------|
|         |                         |                                                         |                                                         | Min.    | Typ. | Max. |      |               |
| ICC     | Power source current    | System operation                                        | $V_{CC} = 5.5\text{ V}$ ,<br>$f(X_{IN}) = 8\text{ MHz}$ | CRT OFF |      | 20   | 40   | mA            |
|         |                         | CRT ON                                                  |                                                         |         | 30   | 60   |      |               |
|         |                         | Stop mode                                               | $V_{CC} = 5.5\text{ V}$ , $f(X_{IN}) = 0$               |         |      |      | 300  | $\mu\text{A}$ |
| VOH     | "H" output voltage      | R, G, B, OUT, D-A, P10-P17, P20-P27, P30, P31           | $V_{CC} = 4.5\text{ V}$<br>$I_{OH} = -0.5\text{ mA}$    | 2.4     |      |      |      | V             |
| VOL     | "L" output voltage      | R, G, B, OUT, D-A, P00-P07, P10-P17, P20-P23, P30-P32   | $V_{CC} = 4.5\text{ V}$<br>$I_{OL} = 0.5\text{ mA}$     |         |      | 0.4  |      | V             |
|         | "L" output voltage      | P24-P27                                                 | $V_{CC} = 4.5\text{ V}$<br>$I_{OL} = 10.0\text{ mA}$    |         |      | 3.0  |      |               |
| VT+–VT– | Hysteresis              | RESET                                                   | $V_{CC} = 5.0\text{ V}$                                 |         | 0.5  | 0.7  |      | V             |
|         | Hysteresis (Note)       | HSYNC, VSYNC, TIM2, TIM3, INT1, INT2, INT3, SIN, SCLK   | $V_{CC} = 5.0\text{ V}$                                 |         | 0.5  | 1.3  |      |               |
| IIZH    | "H" input leak current  | RESET, P00-P07, P10-P17, P20-P27, P30-P34, HSYNC, VSYNC | $V_{CC} = 5.5\text{ V}$<br>$V_I = 5.5\text{ V}$         |         |      | 5    |      | $\mu\text{A}$ |
| IIZL    | "L" input leak current  | RESET, P00-P07, P10-P17, P20-P27, P30-P34, HSYNC, VSYNC | $V_{CC} = 5.5\text{ V}$<br>$V_O = 0\text{ V}$           |         |      | 5    |      | $\mu\text{A}$ |
| IOZH    | "H" output leak current | P00-P05                                                 | $V_{CC} = 5.5\text{ V}$<br>$V_I = 12\text{ V}$          |         |      | 10   |      | $\mu\text{A}$ |

**Note:** P06, P07, P15, P23, P24 have the hysteresis when these pins are used as interrupt input pins or timer input pins. P20-P22 have the hysteresis when these pins are used as serial I/O pins.

**A-D COMPARATOR CHARACTERISTICS**

( $V_{CC} = 5\text{ V} \pm 10\%$ ,  $V_{SS} = 0\text{ V}$ ,  $f(X_{IN}) = 8\text{ MHz}$ ,  $T_a = -10\text{ }^\circ\text{C}$  to  $70\text{ }^\circ\text{C}$ , unless otherwise noted)

| Symbol | Parameter         | Test conditions | Limits |         |         | Unit |
|--------|-------------------|-----------------|--------|---------|---------|------|
|        |                   |                 | Min.   | Typ.    | Max.    |      |
| —      | Resolution        |                 |        |         | 6       | bits |
| —      | Absolute accuracy |                 | 0      | $\pm 1$ | $\pm 2$ | LSB  |

**Note:** When  $V_{CC} = 5\text{ V}$ ,  $1\text{ LSB} = 5/64\text{ V}$ .

**D-A CONVERTER CHARACTERISTICS**

( $V_{CC} = 5\text{ V} \pm 10\%$ ,  $V_{SS} = 0\text{ V}$ ,  $f(X_{IN}) = 8\text{ MHz}$ ,  $T_a = -10\text{ }^\circ\text{C}$  to  $70\text{ }^\circ\text{C}$ , unless otherwise noted)

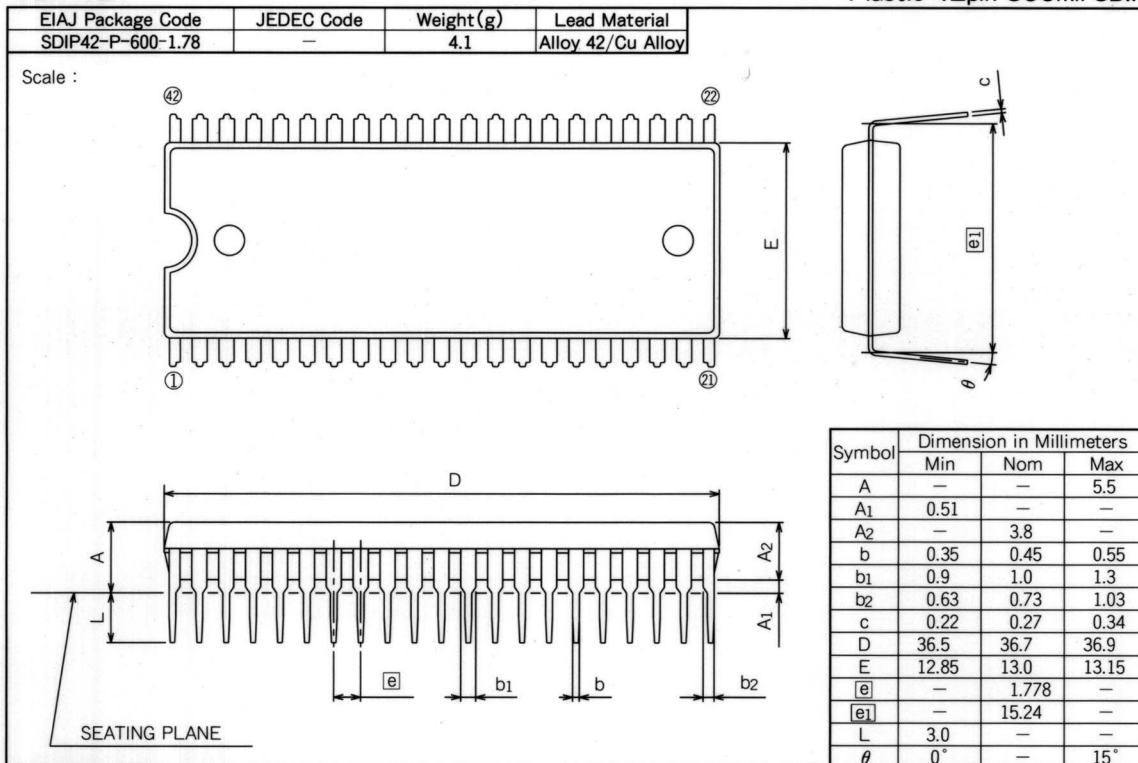
| Symbol | Parameter         | Test conditions | Limits |      |      | Unit             |
|--------|-------------------|-----------------|--------|------|------|------------------|
|        |                   |                 | Min.   | Typ. | Max. |                  |
| —      | Resolution        |                 |        |      | 6    | bits             |
| —      | Absolute accuracy |                 |        |      | 2    | %                |
| tsu    | Setting time      |                 |        |      | 3    | $\mu\text{s}$    |
| RO     | Output resistor   |                 | 1      | 2.5  | 4    | $\text{k}\Omega$ |

SINGLE-CHIP 8-BIT CMOS MICROCOMPUTER for VOLTAGE SYNTHESIZER  
with ON-SCREEN DISPLAY CONTROLLER

**PACKAGE OUTLINE**

**42P4B**

Plastic 42pin 600mil SDIP



# M37220M3-XXXSP

SINGLE-CHIP 8-BIT CMOS MICROCOMPUTER for VOLTAGE SYNTHESIZER  
with ON-SCREEN DISPLAY CONTROLLER

GZZ-SH09-72B < 56A0 >

## 740 FAMILY MASK ROM CONFIRMATION FORM SINGLE-CHIP MICROCOMPUTER M37220M3-XXXSP MITSUBISHI ELECTRIC

|                 |  |
|-----------------|--|
| Mask ROM number |  |
|-----------------|--|

|         |                        |                      |
|---------|------------------------|----------------------|
| Receipt | Date :                 |                      |
|         | Section head signature | Supervisor signature |
|         |                        |                      |

Note : Please fill in all items marked \*.

|            |              |              |                    |              |            |
|------------|--------------|--------------|--------------------|--------------|------------|
| * Customer | Company name | TEL (      ) | Issuance signature | Submitted by | Supervisor |
|            | Date issued  | Date :       |                    |              |            |

\* 1. Confirmation

Specify the name of the product being ordered and the type of EPROMs submitted.  
Three EPROMs are required for each pattern.  
If at least two of the three sets of EPROMs submitted contain identical data, we will produce masks based on this data. We shall assume the responsibility for errors only if the mask ROM data on the products we produce differs from this data. Thus, extreme care must be taken to verify the data in the submitted EPROMs.

Checksum code for entire EPROM 

|  |  |  |  |
|--|--|--|--|
|  |  |  |  |
|--|--|--|--|

 (hexadecimal notation)

EPROM type (indicate the type used)

|                                                                                                                                                                                             |                                             |
|---------------------------------------------------------------------------------------------------------------------------------------------------------------------------------------------|---------------------------------------------|
| <input type="checkbox"/> <b>27C101</b>                                                                                                                                                      |                                             |
| EPROM address                                                                                                                                                                               |                                             |
| 0000 <sub>16</sub> <table border="1" style="display: inline-table; vertical-align: middle;"><tr><td style="font-size: 8px;">Product name<br/>ASCII code :<br/>'M37220M3-'</td></tr></table> | Product name<br>ASCII code :<br>'M37220M3-' |
| Product name<br>ASCII code :<br>'M37220M3-'                                                                                                                                                 |                                             |
| 000F <sub>16</sub> <table border="1" style="display: inline-table; vertical-align: middle;"><tr><td style="background-color: #cccccc;"></td></tr></table>                                   |                                             |
|                                                                                                                                                                                             |                                             |
| D000 <sub>16</sub> <table border="1" style="display: inline-table; vertical-align: middle;"><tr><td style="text-align: center;">data</td></tr></table>                                      | data                                        |
| data                                                                                                                                                                                        |                                             |
| FFFF <sub>16</sub> <table border="1" style="display: inline-table; vertical-align: middle;"><tr><td style="background-color: #cccccc;"></td></tr></table>                                   |                                             |
|                                                                                                                                                                                             |                                             |
| 10000 <sub>16</sub> <table border="1" style="display: inline-table; vertical-align: middle;"><tr><td style="text-align: center;">Character ROM 1</td></tr></table>                          | Character ROM 1                             |
| Character ROM 1                                                                                                                                                                             |                                             |
| 107FF <sub>16</sub> <table border="1" style="display: inline-table; vertical-align: middle;"><tr><td style="text-align: center;">Character ROM 2</td></tr></table>                          | Character ROM 2                             |
| Character ROM 2                                                                                                                                                                             |                                             |
| 10800 <sub>16</sub> <table border="1" style="display: inline-table; vertical-align: middle;"><tr><td style="background-color: #cccccc;"></td></tr></table>                                  |                                             |
|                                                                                                                                                                                             |                                             |
| 10FFF <sub>16</sub> <table border="1" style="display: inline-table; vertical-align: middle;"><tr><td style="background-color: #cccccc;"></td></tr></table>                                  |                                             |
|                                                                                                                                                                                             |                                             |
| 11000 <sub>16</sub> <table border="1" style="display: inline-table; vertical-align: middle;"><tr><td style="background-color: #cccccc;"></td></tr></table>                                  |                                             |
|                                                                                                                                                                                             |                                             |
| 1FFFF <sub>16</sub> <table border="1" style="display: inline-table; vertical-align: middle;"><tr><td style="background-color: #cccccc;"></td></tr></table>                                  |                                             |
|                                                                                                                                                                                             |                                             |

- (1) Set "FF<sub>16</sub>" in the shaded area.
- (2) Write the ASCII codes that indicates the product name of "M37220M3-" to addresses 0000<sub>16</sub> to 000F<sub>16</sub>.

EPROM data check item (Refer the EPROM data and check "✓" in the appropriate box)

- Do you set "FF<sub>16</sub>" in the shaded area ? → Yes
- Do you write the ASCII codes that indicates the product name of "M37220M3-" to addresses 0000<sub>16</sub> to 000F<sub>16</sub> ? → Yes

\* 2. Mark specification

Mark specification must be submitted using the correct form for the type package being ordered fill out the appropriate mark specification form (42P4B for M37220M3-XXXSP) and attach to the mask ROM confirmation form.

\* 3. Comments



GZZ-SH09-72B <56A0 >

**740 FAMILY MASK ROM CONFIRMATION FORM  
SINGLE-CHIP MICROCOMPUTER M37220M3-XXXSP  
MITSUBISHI ELECTRIC**

**Writing the product name and character ROM data onto EPROMs**

Addresses 0000<sub>16</sub> to 000F<sub>16</sub> store the product name, and addresses 10000<sub>16</sub> to 10FFF<sub>16</sub> store the character pattern. If the name of the product contained in the EPROMs does not match the name on the mask ROM confirmation form, the ROM processing is disabled. Write the data correctly.

1. Inputting the name of the product with the ASCII code  
ASCII codes 'M37220M3-' are listed on the right.  
The addresses and data are in hexadecimal notation.

| Address            |                         | Address            |                         |
|--------------------|-------------------------|--------------------|-------------------------|
| 0000 <sub>16</sub> | 'M' = 4 D <sub>16</sub> | 0008 <sub>16</sub> | '-' = 2 D <sub>16</sub> |
| 0001 <sub>16</sub> | '3' = 3 3 <sub>16</sub> | 0009 <sub>16</sub> | FF <sub>16</sub>        |
| 0002 <sub>16</sub> | '7' = 3 7 <sub>16</sub> | 000A <sub>16</sub> | FF <sub>16</sub>        |
| 0003 <sub>16</sub> | '2' = 3 2 <sub>16</sub> | 000B <sub>16</sub> | FF <sub>16</sub>        |
| 0004 <sub>16</sub> | '2' = 3 2 <sub>16</sub> | 000C <sub>16</sub> | FF <sub>16</sub>        |
| 0005 <sub>16</sub> | '0' = 3 0 <sub>16</sub> | 000D <sub>16</sub> | FF <sub>16</sub>        |
| 0006 <sub>16</sub> | 'M' = 4 D <sub>16</sub> | 000E <sub>16</sub> | FF <sub>16</sub>        |
| 0007 <sub>16</sub> | '3' = 3 3 <sub>16</sub> | 000F <sub>16</sub> | FF <sub>16</sub>        |

2. Inputting the character ROM

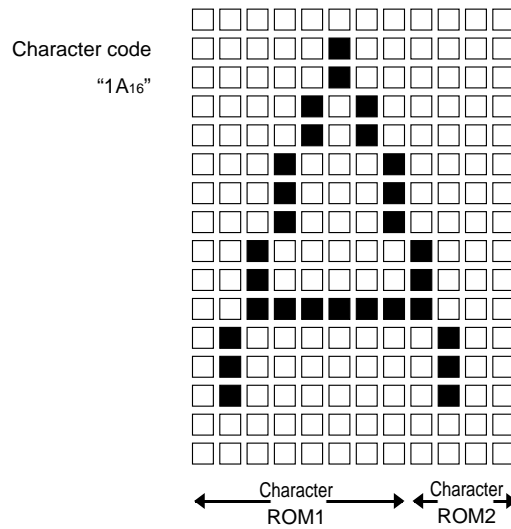
Input the character ROM data by dividing it into character ROM1 and character ROM2. For the character ROM data, see the next page and on.

GZZ-SH09-72B< 56A0 >

**740 FAMILY MASK ROM CONFIRMATION FORM**  
**SINGLE-CHIP MICROCOMPUTER M37220M3-XXXSP**  
**MITSUBISHI ELECTRIC**

The structure of character ROM (divided of 12X16 dots font)

Example



Example    101A0<sub>16</sub>    b7 b6 b5 b4 b3 b2 b1 b0    00<sub>16</sub>

to

101AF<sub>16</sub>

|   |  |  |  |  |  |  |  |  |  |                  |
|---|--|--|--|--|--|--|--|--|--|------------------|
| 0 |  |  |  |  |  |  |  |  |  | 00 <sub>16</sub> |
| 1 |  |  |  |  |  |  |  |  |  | 04 <sub>16</sub> |
| 2 |  |  |  |  |  |  |  |  |  | 04 <sub>16</sub> |
| 3 |  |  |  |  |  |  |  |  |  | 0A <sub>16</sub> |
| 4 |  |  |  |  |  |  |  |  |  | 0A <sub>16</sub> |
| 5 |  |  |  |  |  |  |  |  |  | 11 <sub>16</sub> |
| 6 |  |  |  |  |  |  |  |  |  | 11 <sub>16</sub> |
| 7 |  |  |  |  |  |  |  |  |  | 11 <sub>16</sub> |
| 8 |  |  |  |  |  |  |  |  |  | 20 <sub>16</sub> |
| 9 |  |  |  |  |  |  |  |  |  | 20 <sub>16</sub> |
| A |  |  |  |  |  |  |  |  |  | 3F <sub>16</sub> |
| B |  |  |  |  |  |  |  |  |  | 40 <sub>16</sub> |
| C |  |  |  |  |  |  |  |  |  | 40 <sub>16</sub> |
| D |  |  |  |  |  |  |  |  |  | 40 <sub>16</sub> |
| E |  |  |  |  |  |  |  |  |  | 00 <sub>16</sub> |
| F |  |  |  |  |  |  |  |  |  | 00 <sub>16</sub> |

Example    109A0<sub>16</sub>    b7 b6 b5 b4 b3 b2 b1 b0

to

109AF<sub>16</sub>

|   |  |  |  |  |  |  |  |  |  |                  |
|---|--|--|--|--|--|--|--|--|--|------------------|
| 0 |  |  |  |  |  |  |  |  |  | F0 <sub>16</sub> |
| 1 |  |  |  |  |  |  |  |  |  | F0 <sub>16</sub> |
| 2 |  |  |  |  |  |  |  |  |  | F0 <sub>16</sub> |
| 3 |  |  |  |  |  |  |  |  |  | F0 <sub>16</sub> |
| 4 |  |  |  |  |  |  |  |  |  | F0 <sub>16</sub> |
| 5 |  |  |  |  |  |  |  |  |  | F0 <sub>16</sub> |
| 6 |  |  |  |  |  |  |  |  |  | F0 <sub>16</sub> |
| 7 |  |  |  |  |  |  |  |  |  | F0 <sub>16</sub> |
| 8 |  |  |  |  |  |  |  |  |  | F8 <sub>16</sub> |
| 9 |  |  |  |  |  |  |  |  |  | F8 <sub>16</sub> |
| A |  |  |  |  |  |  |  |  |  | F8 <sub>16</sub> |
| B |  |  |  |  |  |  |  |  |  | F4 <sub>16</sub> |
| C |  |  |  |  |  |  |  |  |  | F4 <sub>16</sub> |
| D |  |  |  |  |  |  |  |  |  | F4 <sub>16</sub> |
| E |  |  |  |  |  |  |  |  |  | F0 <sub>16</sub> |
| F |  |  |  |  |  |  |  |  |  | F0 <sub>16</sub> |

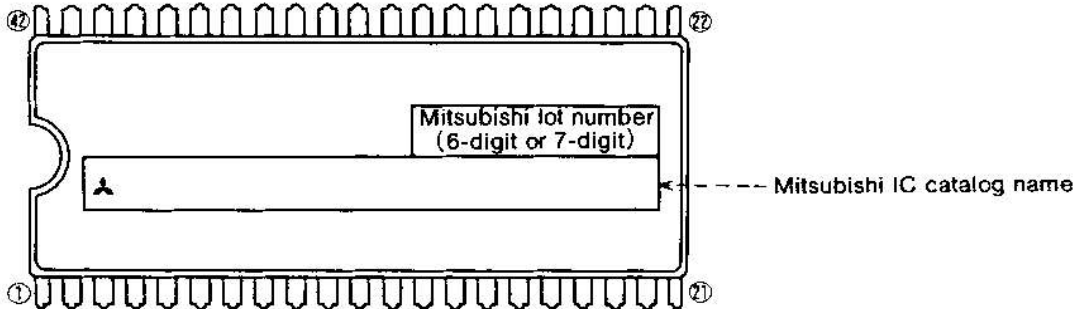
SINGLE-CHIP 8-BIT CMOS MICROCOMPUTER for VOLTAGE SYNTHESIZER  
with ON-SCREEN DISPLAY CONTROLLER

**42P4B (42-PIN SHRINK DIP) MARK SPECIFICATION FORM**

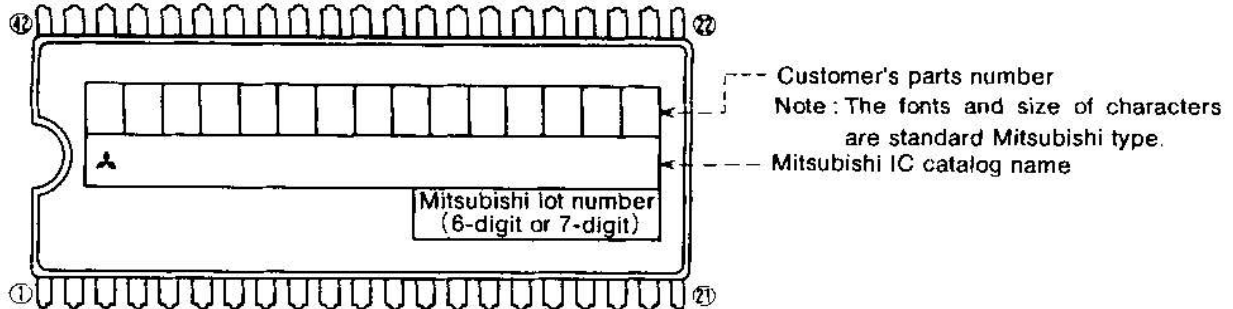
Mitsubishi IC catalog name

Please choose one of the marking types below (A, B, C), and enter the Mitsubishi IC catalog name and the special mark (if needed).

**A. Standard Mitsubishi Mark**



**B. Customer's Parts Number + Mitsubishi Catalog Name**



Note 1: The mark field should be written right aligned.

2: The fonts and size of characters are standard Mitsubishi type.

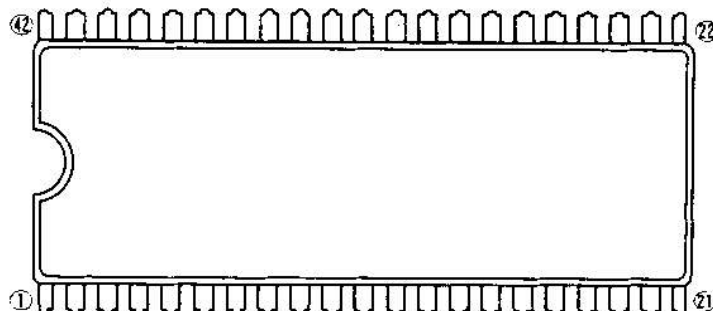
3: Customer's parts number can be up to 15 characters :

Only 0~9, A~Z, +, -, /, (, ), &, ©, . (period), and , (comma) are usable.

4: If the Mitsubishi logo is not required, check the box on the right.

Mitsubishi logo is not required

**C. Special Mark Required**



Note 1: If the special mark is to be printed, indicate the desired layout of the mark in the upper figure. The layout will be duplicated as close as possible. Mitsubishi lot number (6-digit or 7-digit) and mask ROM number (3-digit) are always marked.

2: If the customer's trade mark logo must be used in the special mark, check the box below. Please submit a clean original of the logo.

For the new special character fonts a clean font original (ideally logo drawing) must be submitted.

Special logo required

The standard Mitsubishi font is used for all characters except for a logo.

**MITSUBISHI DATA BOOK**  
**SINGLE-CHIP 8-BIT MICROCOMPUTERS Vol.3**

---

Sep. First Edition 1996 H-DF319-B

Edited by  
Committee of editing of Mitsubishi Semiconductor Data Book

Published by  
Mitsubishi Electric Corp., Semiconductor Division

---

This book, or parts thereof, may not be reproduced in any form without permission of Mitsubishi Electric Corporation.  
©1996 MITSUBISHI ELECTRIC CORPORATION Printed in Japan

## REVISION DESCRIPTION LIST

M37220M3-XXXSP DATA SHEET

| Rev. No. | Revision Description                                                               | Rev. date |
|----------|------------------------------------------------------------------------------------|-----------|
| 1.0      | First Edition                                                                      | 9708      |
| 2.0      | Information about copyright note, revision number, release data added (last page). | 971130    |
| 2.1      | Correct note (P43)                                                                 | 980731    |
|          |                                                                                    |           |