

Designer's™ Data Sheet
SWITCHMODE™
NPN Bipolar Power Transistor
For Switching Power Supply Applications

The BUL44/BUL44F have an applications specific state-of-the-art die designed for use in 220 V line operated Switchmode Power supplies and electronic light ballasts. These high voltage/high speed transistors offer the following:

- Improved Efficiency Due to Low Base Drive Requirements:
 - High and Flat DC Current Gain h_{FE}
 - Fast Switching
 - No Coil Required in Base Circuit for Turn-Off (No Current Tail)
- Full Characterization at 125°C
- Tight Parametric Distributions are Consistent Lot-to-Lot
- Two Package Choices: Standard TO-220 or Isolated TO-220
- BUL44F, Case 221D, is UL Recognized to 3500 V_{RMS}: File #E69369

MAXIMUM RATINGS

Rating	Symbol	BUL44	BUL44F	Unit
Collector-Emitter Sustaining Voltage	V _{CEO}	400		Vdc
Collector-Emitter Breakdown Voltage	V _{CES}	700		Vdc
Emitter-Base Voltage	V _{EBO}	9.0		Vdc
Collector Current — Continuous	I _C	2.0		Adc
— Peak(1)	I _{CM}	5.0		
Base Current — Continuous	I _B	1.0		Adc
— Peak(1)	I _{BM}	2.0		
RMS Isolated Voltage(2)	V _{ISOL}	—	4500	Volts
(for 1 sec, R.H. < 30%,	Test No. 1 Per Fig. 22a	—	3500	
T _C = 25°C)	Test No. 2 Per Fig. 22b	—	1500	
Total Device Dissipation	P _D	50	25	Watts
Derate above 25°C		0.4	0.2	W/°C
Operating and Storage Temperature	T _J , T _{stg}	- 65 to 150		°C

THERMAL CHARACTERISTICS

Rating	Symbol	BUL44	BUL44F	Unit
Thermal Resistance — Junction to Case	R _{θJC}	2.5	5.0	°C/W
— Junction to Ambient	R _{θJA}	62.5	62.5	
Maximum Lead Temperature for Soldering	T _L	260		°C
Purposes: 1/8" from Case for 5 Seconds				

ELECTRICAL CHARACTERISTICS (T_C = 25°C unless otherwise noted)

Characteristic	Symbol	Min	Typ	Max	Unit
----------------	--------	-----	-----	-----	------

OFF CHARACTERISTICS

Collector-Emitter Sustaining Voltage (I _C = 100 mA, L = 25 mH)	V _{CEO(sus)}	400	—	—	Vdc
Collector Cutoff Current (V _{CE} = Rated V _{CEO} , I _B = 0)	I _{CEO}	—	—	100	μAdc
Collector Cutoff Current (V _{CE} = Rated V _{CES} , V _{EB} = 0)	I _{CES}	—	—	100	μAdc
(T _C = 125°C)		—	—	500	
(V _{CE} = 500 V, V _{EB} = 0)		—	—	100	
Emitter Cutoff Current (V _{EB} = 9.0 Vdc, I _C = 0)	I _{EBO}	—	—	100	μAdc

(1) Pulse Test: Pulse Width = 5.0 ms, Duty Cycle ≤ 10%.

(2) Proper strike and creepage distance must be provided.

(continued)

Designer's and SWITCHMODE are trademarks of Motorola, Inc.

Designer's Data for "Worst Case" Conditions — The Designer's Data Sheet permits the design of most circuits entirely from the information presented. SOA Limit curves — representing boundaries on device characteristics — are given to facilitate "worst case" design.

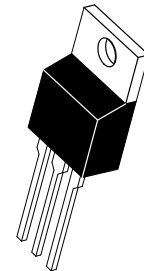
Preferred devices are Motorola recommended choices for future use and best overall value.

REV 1

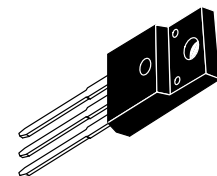
BUL44*
BUL44F*

*Motorola Preferred Device

POWER TRANSISTOR
2.0 AMPERES
700 VOLTS
40 and 100 WATTS



BUL44
CASE 221A-06
TO-220AB



BUL44F
CASE 221D-02
ISOLATED TO-220 TYPE
UL RECOGNIZED

BUL44 BUL44F

ELECTRICAL CHARACTERISTICS — continued (T_C = 25°C unless otherwise noted)

Characteristic	Symbol	Min	Typ	Max	Unit
ON CHARACTERISTICS					
Base–Emitter Saturation Voltage (I _C = 0.4 Adc, I _B = 40 mAcd) (I _C = 1.0 Adc, I _B = 0.2 Adc)	V _{BE(sat)}	— —	0.85 0.92	1.1 1.25	Vdc
Collector–Emitter Saturation Voltage (I _C = 0.4 Adc, I _B = 40 mAcd) (I _C = 1.0 Adc, I _B = 0.2 Adc)	V _{CE(sat)}	— — — —	0.20 0.20 0.25 0.25	0.5 0.5 0.6 0.6	Vdc
DC Current Gain (I _C = 0.2 Adc, V _{CE} = 5.0 Vdc) (I _C = 0.4 Adc, V _{CE} = 1.0 Vdc) (I _C = 1.0 Adc, V _{CE} = 1.0 Vdc) (I _C = 10 mAcd, V _{CE} = 5.0 Vdc)	h _{FE}	14 — 12 12 8.0 7.0 10	— 32 20 20 14 13 22	34 — — — — — —	—

DYNAMIC CHARACTERISTICS

Current Gain Bandwidth (I _C = 0.5 Adc, V _{CE} = 10 Vdc, f = 1.0 MHz)	f _T	—	13	—	MHz		
Output Capacitance (V _{CB} = 10 Vdc, I _E = 0, f = 1.0 MHz)	C _{OB}	—	38	60	pF		
Input Capacitance (V _{EB} = 8.0 V)	C _{IB}	—	380	600	pF		
Dynamic Saturation Voltage: Determined 1.0 μs and 3.0 μs respectively after rising I _{B1} reaches 90% of final I _{B1}	(I _C = 0.4 Adc I _{B1} = 40 mAcd V _{CC} = 300 V)	1.0 μs (T _C = 125°C)	V _{CE(dsat)}	—	2.5	—	Vdc
		3.0 μs (T _C = 125°C)		—	2.7	—	
	(I _C = 1.0 Adc I _{B1} = 0.2 Adc V _{CC} = 300 V)	1.0 μs (T _C = 125°C)		—	1.3	—	
		3.0 μs (T _C = 125°C)		—	1.15	—	
				—	3.2	—	
				—	7.5	—	
				—	1.25	—	
				—	1.6	—	

SWITCHING CHARACTERISTICS: Resistive Load (D.C. ≤ 10%, Pulse Width = 20 μs)

Turn–On Time	(I _C = 0.4 Adc, I _{B1} = 40 mAcd I _{B2} = 0.2 Adc, V _{CC} = 300 V)	(T _C = 125°C)	t _{on}	— —	40 40	100 —	ns
Turn–Off Time	(I _C = 0.4 Adc, I _{B1} = 40 mAcd I _{B2} = 0.2 Adc, V _{CC} = 300 V)	(T _C = 125°C)	t _{off}	— —	1.5 2.0	2.5 —	μs
Turn–On Time	(I _C = 1.0 Adc, I _{B1} = 0.2 Adc I _{B2} = 0.5 Adc, V _{CC} = 300 V)	(T _C = 125°C)	t _{on}	— —	85 85	150 —	ns
Turn–Off Time	(I _C = 1.0 Adc, I _{B1} = 0.2 Adc I _{B2} = 0.5 Adc, V _{CC} = 300 V)	(T _C = 125°C)	t _{off}	— —	1.75 2.10	2.5 —	μs

SWITCHING CHARACTERISTICS: Inductive Load (V_{clamp} = 300 V, V_{CC} = 15 V, L = 200 μH)

Fall Time	(I _C = 0.4 Adc, I _{B1} = 40 mAcd I _{B2} = 0.2 Adc)	(T _C = 125°C)	t _{fi}	— —	125 120	200 —	ns
Storage Time			t _{si}	— —	0.7 0.8	1.25 —	μs
Crossover Time			t _c	— —	110 110	200 —	ns
Fall Time	(I _C = 1.0 Adc, I _{B1} = 0.2 Adc I _{B2} = 0.5 Adc)	(T _C = 125°C)	t _{fi}	— —	110 120	175 —	ns
Storage Time			t _{si}	— —	1.7 2.25	2.75 —	μs
Crossover Time			t _c	— —	180 210	300 —	ns
Fall Time	(I _C = 0.8 Adc, I _{B1} = 160 mAcd I _{B2} = 160 mAcd)	(T _C = 125°C)	t _{fi}	70 —	— 180	170 —	ns
Storage Time			t _{si}	2.6 —	— 4.2	3.8 —	μs
Crossover Time			t _c	— —	190 350	300 —	ns

TYPICAL STATIC CHARACTERISTICS

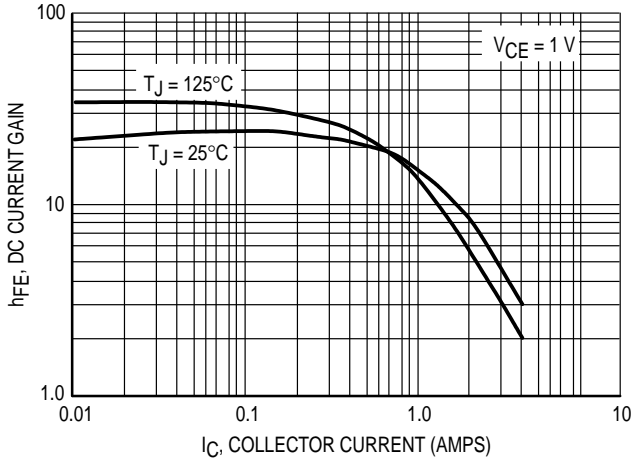


Figure 1. DC Current Gain at 1 Volt

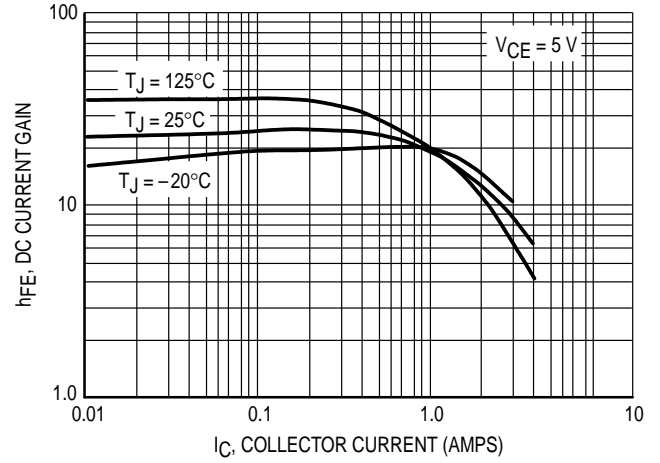


Figure 2. DC Current Gain at 5 Volts

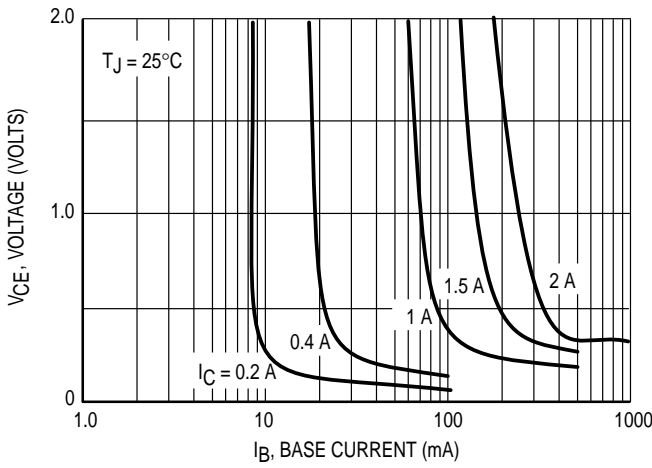


Figure 3. Collector Saturation Region

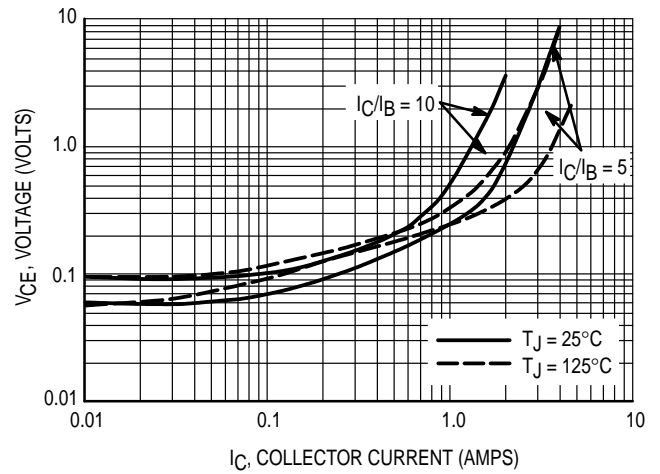


Figure 4. Collector-Emitter Saturation Voltage

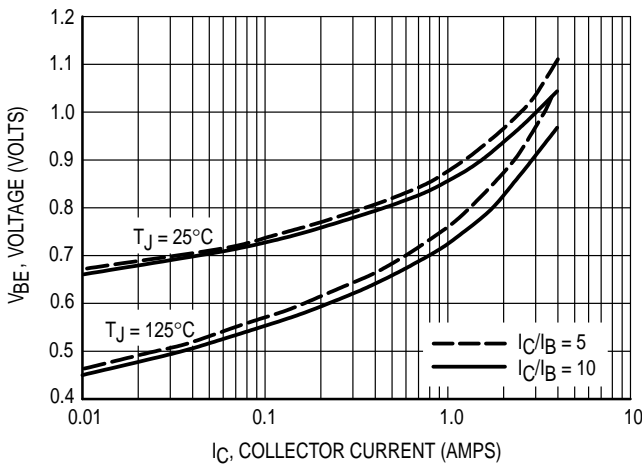


Figure 5. Base-Emitter Saturation Region

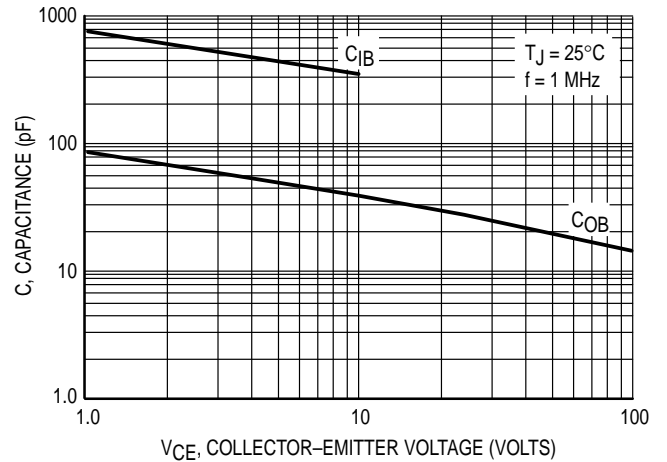


Figure 6. Capacitance

TYPICAL SWITCHING CHARACTERISTICS
($I_{B2} = I_C/2$ for all switching)

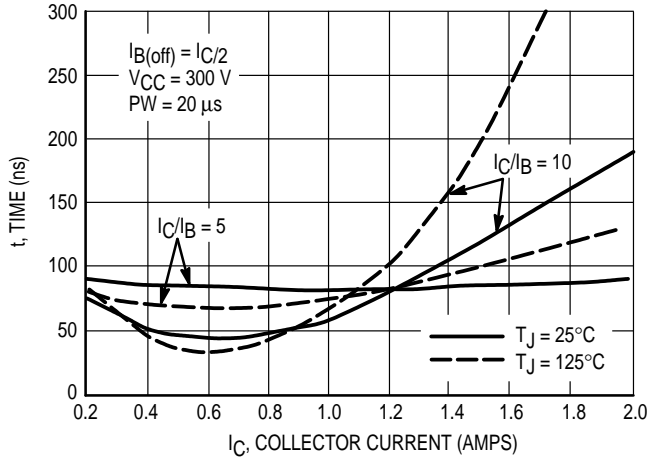


Figure 7. Resistive Switching, t_{on}

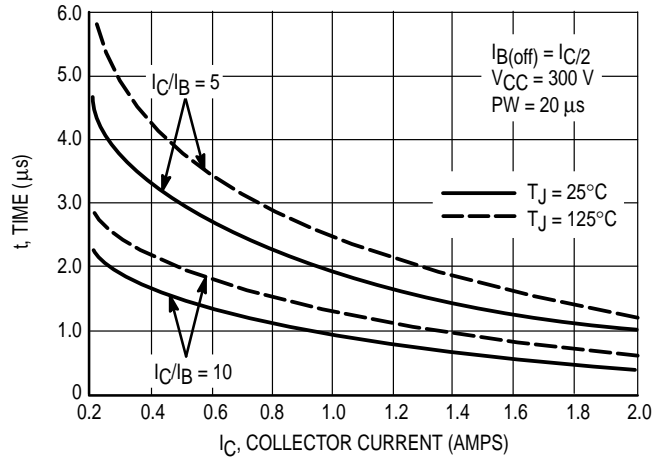


Figure 8. Resistive Switching, t_{off}

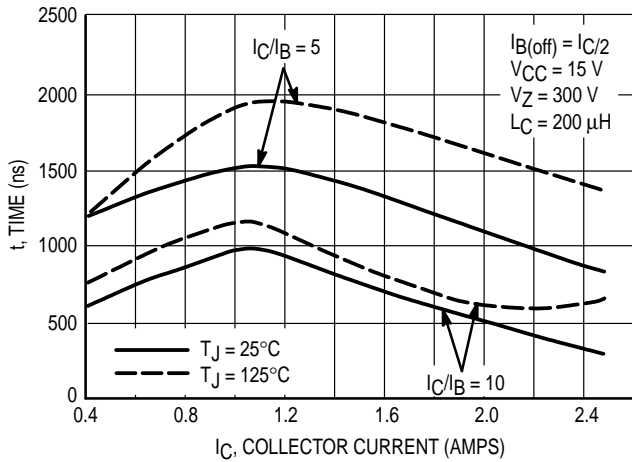


Figure 9. Inductive Storage Time, t_{si}

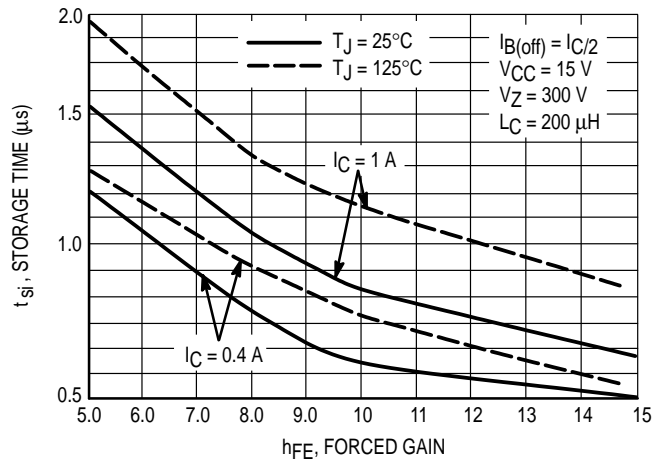


Figure 10. Inductive Storage Time

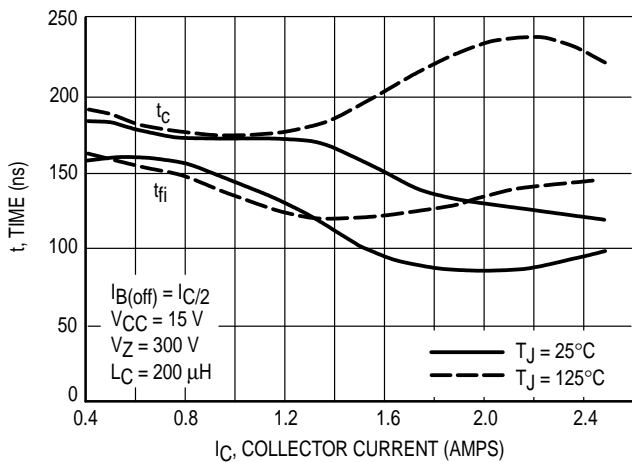


Figure 11. Inductive Switching, t_c and t_{fi} $I_C/I_B = 5$

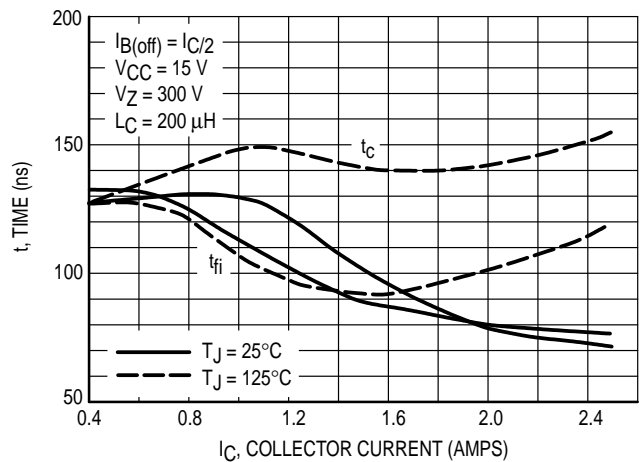


Figure 12. Inductive Switching, t_c and t_{fi} $I_C/I_B = 10$

TYPICAL SWITCHING CHARACTERISTICS
($I_{B2} = I_C/2$ for all switching)

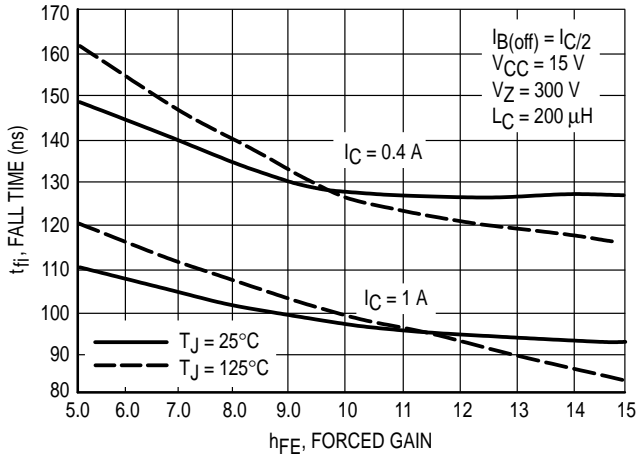


Figure 13. Inductive Fall Time

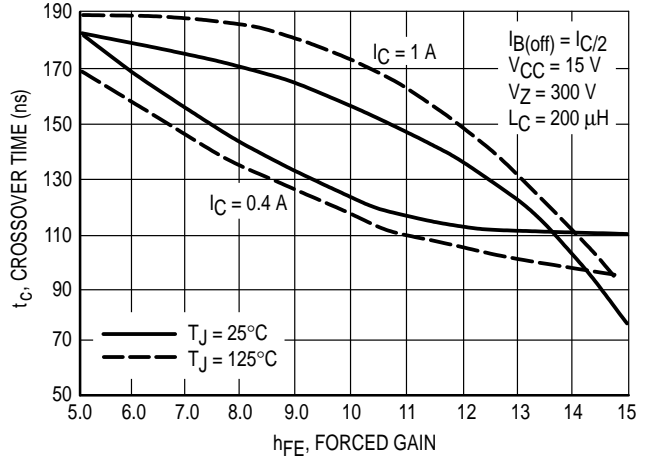


Figure 14. Inductive Crossover Time

GUARANTEED SAFE OPERATING AREA INFORMATION

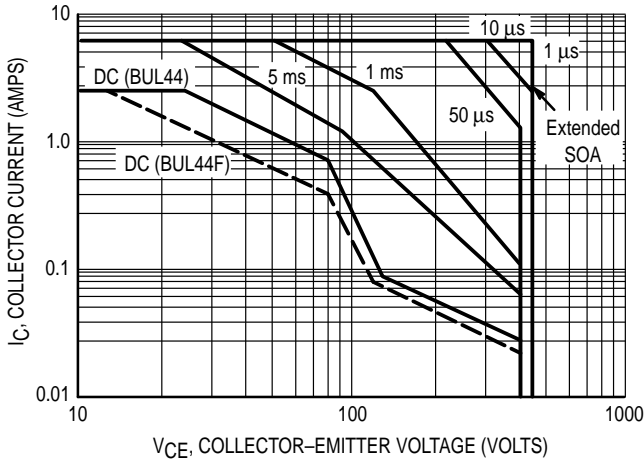


Figure 15. Forward Bias Safe Operating Area

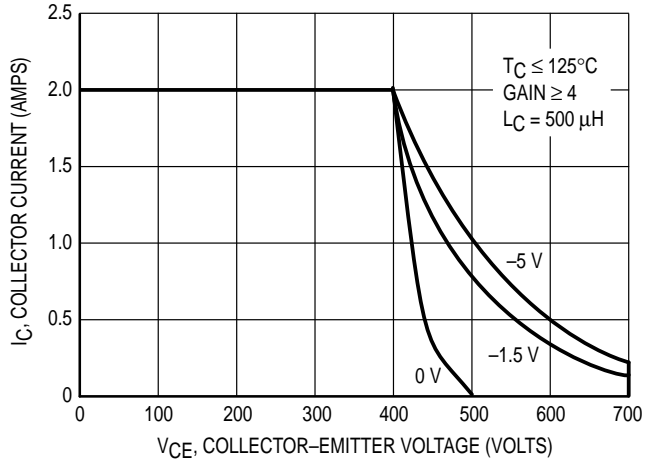


Figure 16. Reverse Bias Switching Safe Operating Area

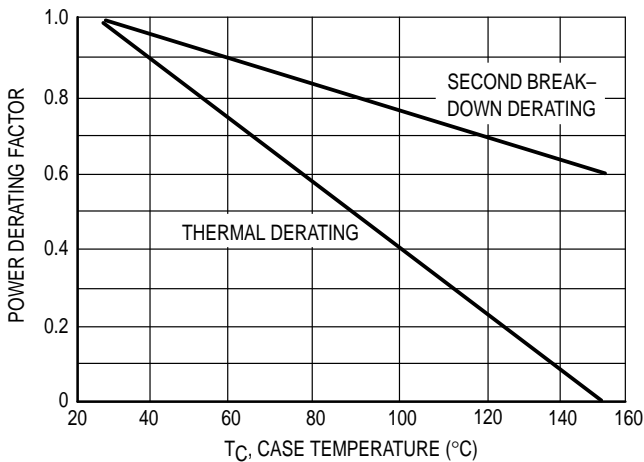


Figure 17. Forward Bias Power Derating

There are two limitations on the power handling ability of a transistor: average junction temperature and second breakdown. Safe operating area curves indicate I_C - V_{CE} limits of the transistor that must be observed for reliable operation; i.e., the transistor must not be subjected to greater dissipation than the curves indicate. The data of figure 15 is based on $T_C = 25^\circ\text{C}$; $T_{J(PK)}$ is variable depending on power level. Second breakdown pulse limits are valid for duty cycles to 10% but must be derated when $T_C > 25^\circ\text{C}$. Second breakdown limitations do not derate the same as thermal limitations. Allowable current at the voltages shown on figure 15 may be found at any case temperature by using the appropriate curve on figure 17. $T_{J(PK)}$ may be calculated from the data in figure 20 and 21. At any case temperatures, thermal limitations will reduce the power than can be handled to values less than the limitations imposed by second breakdown. For inductive loads, high voltage and current must be sustained simultaneously during turn-off with the base-to-emitter junction reverse-biased. The safe level is specified as a reverse-biased safe operating area (Figure 16). This rating is verified under clamped conditions so that the device is never subjected to an avalanche mode.

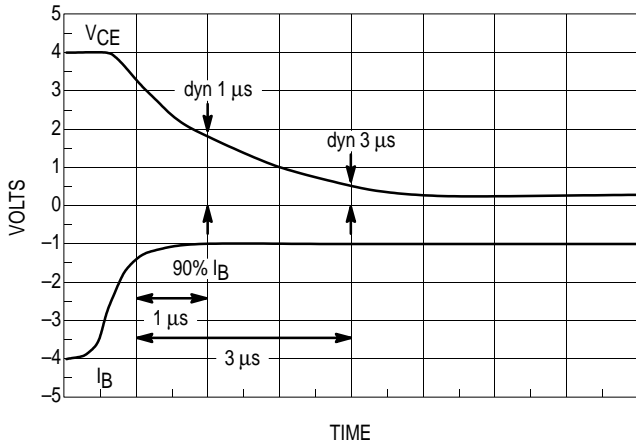


Figure 18. Dynamic Saturation Voltage Measurements

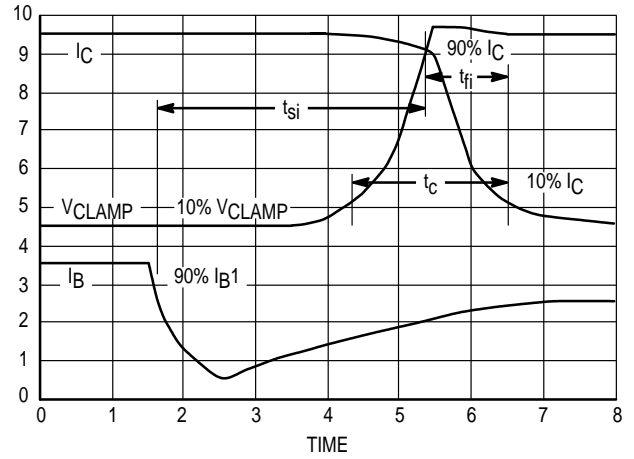


Figure 19. Inductive Switching Measurements

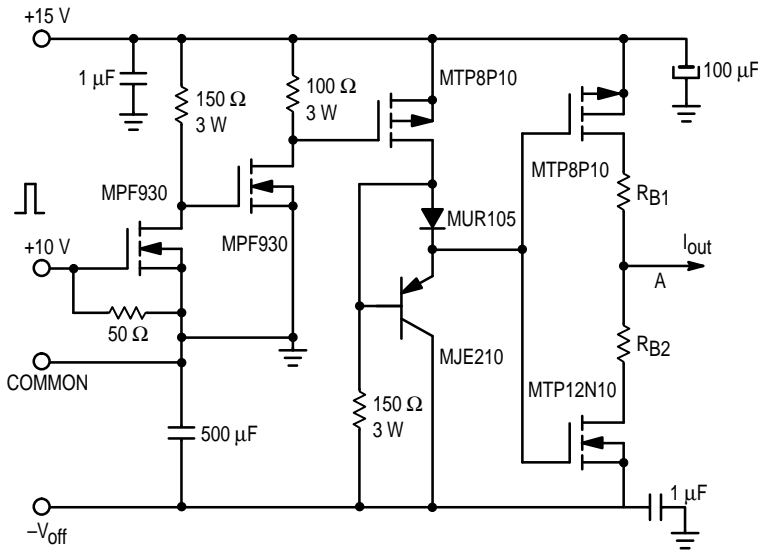
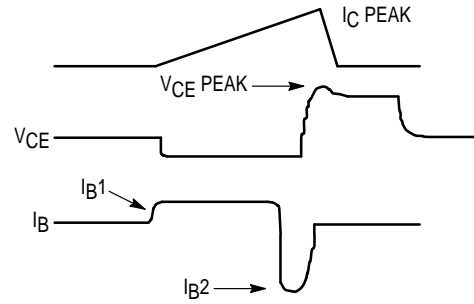


Table 1. Inductive Load Switching Drive Circuit



V(BR)CEO(sus)	INDUCTIVE SWITCHING	RBSOA
L = 10 mH	L = 200 μH	L = 500 μH
RB2 = ∞	RB2 = 0	RB2 = 0
VCC = 20 VOLTS	VCC = 15 VOLTS	VCC = 15 VOLTS
IC(pk) = 100 mA	RB1 SELECTED FOR DESIRED IB1	RB1 SELECTED FOR DESIRED IB1

TYPICAL THERMAL RESPONSE

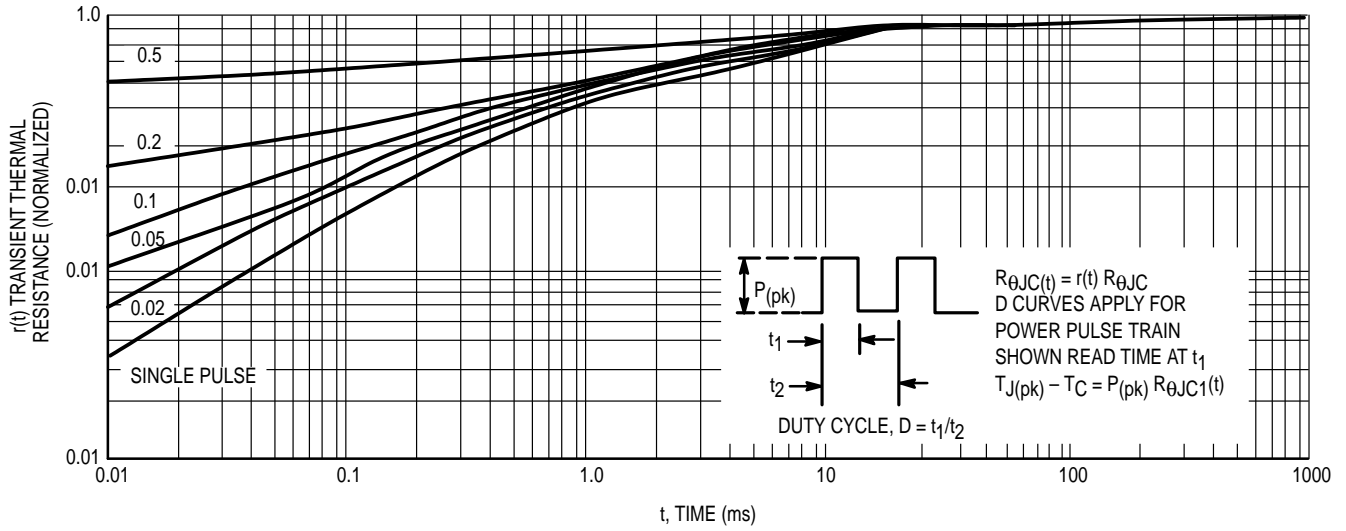


Figure 20. Typical Thermal Response ($Z_{\theta JC}(t)$) for BUL44

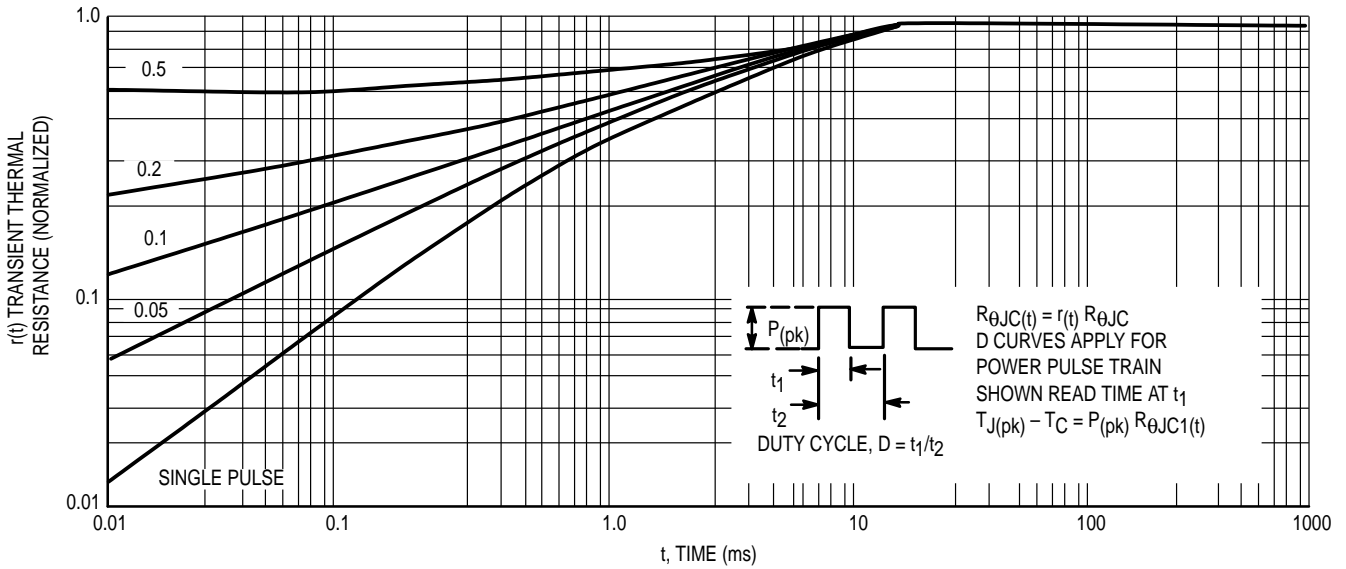
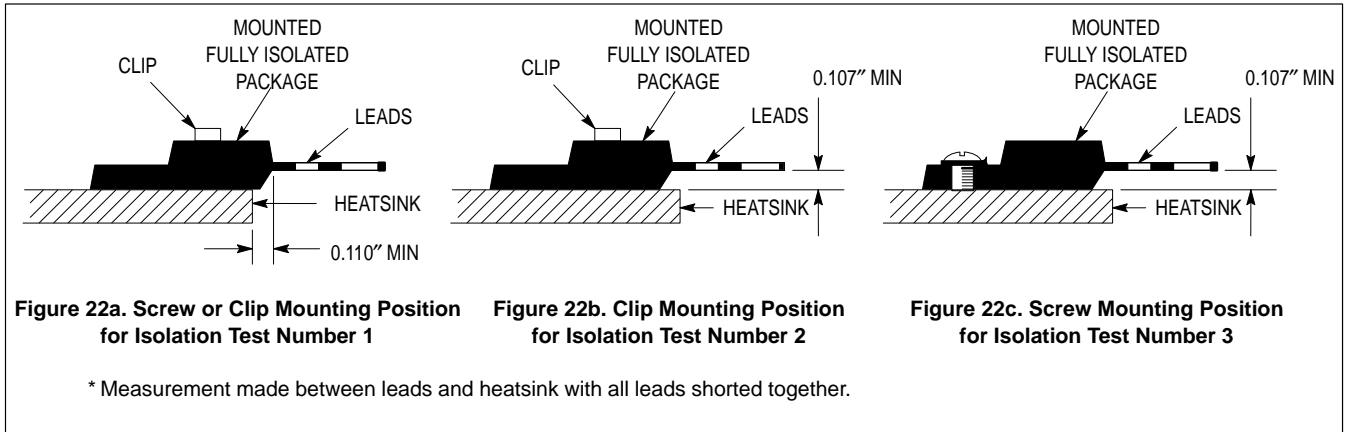
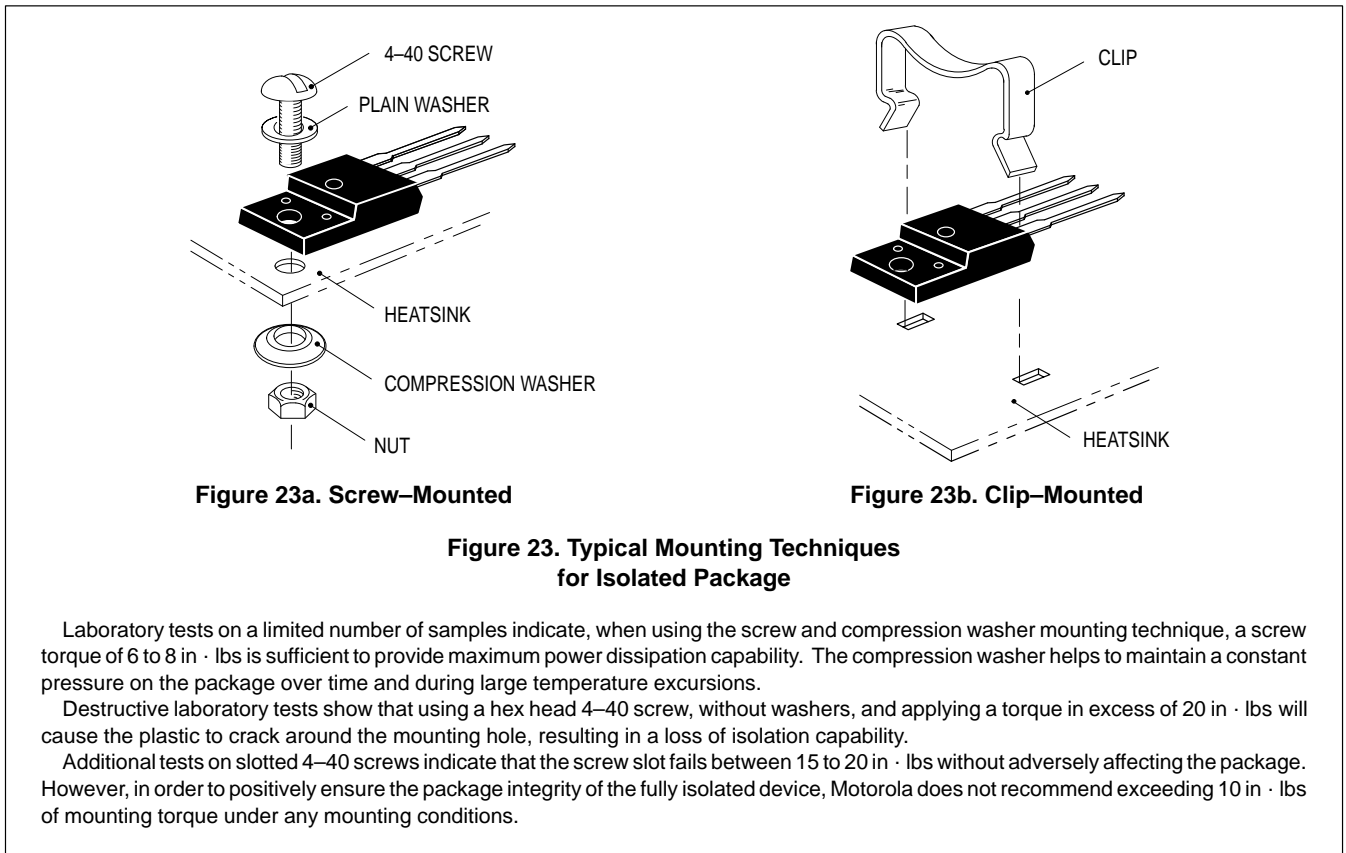


Figure 21. Typical Thermal Response ($Z_{\theta JC}(t)$) for BUL44F

TEST CONDITIONS FOR ISOLATION TESTS*

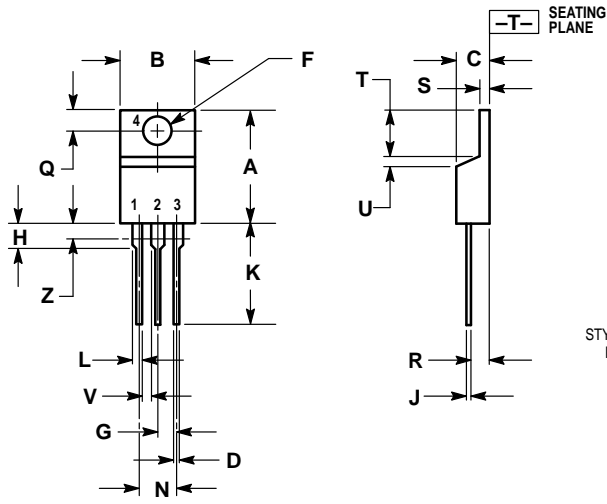


MOUNTING INFORMATION**



** For more information about mounting power semiconductors see Application Note AN1040.

PACKAGE DIMENSIONS

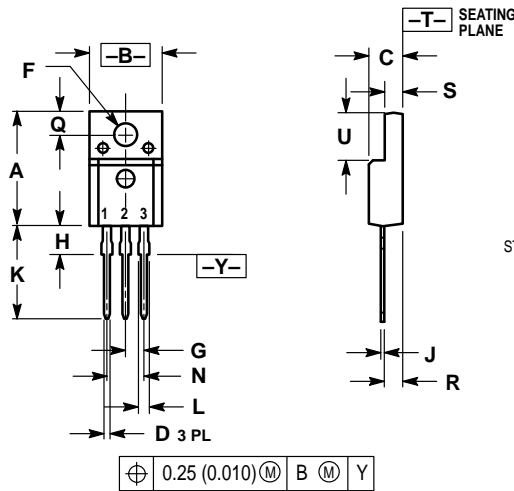


- NOTES:
1. DIMENSIONING AND TOLERANCING PER ANSI Y14.5M, 1982.
 2. CONTROLLING DIMENSION: INCH.
 3. DIMENSION Z DEFINES A ZONE WHERE ALL BODY AND LEAD IRREGULARITIES ARE ALLOWED.

DIM	INCHES		MILLIMETERS	
	MIN	MAX	MIN	MAX
A	0.570	0.620	14.48	15.75
B	0.380	0.405	9.66	10.28
C	0.160	0.190	4.07	4.82
D	0.025	0.035	0.64	0.88
F	0.142	0.147	3.61	3.73
G	0.095	0.105	2.42	2.66
H	0.110	0.155	2.80	3.93
J	0.018	0.025	0.46	0.64
K	0.500	0.562	12.70	14.27
L	0.045	0.060	1.15	1.52
N	0.190	0.210	4.83	5.33
Q	0.100	0.120	2.54	3.04
R	0.080	0.110	2.04	2.79
S	0.045	0.055	1.15	1.39
T	0.235	0.255	5.97	6.47
U	0.000	0.050	0.00	1.27
V	0.045	—	1.15	—
Z	—	0.080	—	2.04

- STYLE 1:
 PIN 1. BASE
 2. COLLECTOR
 3. EMITTER
 4. COLLECTOR

BUL44
CASE 221A-06
TO-220AB
ISSUE Y




- NOTES:
1. DIMENSIONING AND TOLERANCING PER ANSI Y14.5M, 1982.
 2. CONTROLLING DIMENSION: INCH.

DIM	INCHES		MILLIMETERS	
	MIN	MAX	MIN	MAX
A	0.621	0.629	15.78	15.97
B	0.394	0.402	10.01	10.21
C	0.181	0.189	4.60	4.80
D	0.026	0.034	0.67	0.86
F	0.121	0.129	3.08	3.27
G	0.100 BSC	—	2.54 BSC	—
H	0.123	0.129	3.13	3.27
J	0.018	0.025	0.46	0.64
K	0.500	0.562	12.70	14.27
L	0.045	0.060	1.14	1.52
N	0.200 BSC	—	5.08 BSC	—
Q	0.126	0.134	3.21	3.40
R	0.107	0.111	2.72	2.81
S	0.096	0.104	2.44	2.64
U	0.259	0.267	6.58	6.78

- STYLE 2:
 PIN 1. BASE
 2. COLLECTOR
 3. EMITTER

⊕ 0.25 (0.010) M B M Y

BUL44F
CASE 221D-02
(ISOLATED TO-220 TYPE)
ISSUE D

Motorola reserves the right to make changes without further notice to any products herein. Motorola makes no warranty, representation or guarantee regarding the suitability of its products for any particular purpose, nor does Motorola assume any liability arising out of the application or use of any product or circuit, and specifically disclaims any and all liability, including without limitation consequential or incidental damages. "Typical" parameters can and do vary in different applications. All operating parameters, including "Typicals" must be validated for each customer application by customer's technical experts. Motorola does not convey any license under its patent rights nor the rights of others. Motorola products are not designed, intended, or authorized for use as components in systems intended for surgical implant into the body, or other applications intended to support or sustain life, or for any other application in which the failure of the Motorola product could create a situation where personal injury or death may occur. Should Buyer purchase or use Motorola products for any such unintended or unauthorized application, Buyer shall indemnify and hold Motorola and its officers, employees, subsidiaries, affiliates, and distributors harmless against all claims, costs, damages, and expenses, and reasonable attorney fees arising out of, directly or indirectly, any claim of personal injury or death associated with such unintended or unauthorized use, even if such claim alleges that Motorola was negligent regarding the design or manufacture of the part. Motorola and  are registered trademarks of Motorola, Inc. Motorola, Inc. is an Equal Opportunity/Affirmative Action Employer.

How to reach us:

USA / EUROPE: Motorola Literature Distribution;
P.O. Box 20912; Phoenix, Arizona 85036. 1-800-441-2447

JAPAN: Nippon Motorola Ltd.; Tatsumi-SPD-JLDC, Toshikatsu Otsuki,
6F Seibu-Butsuryu-Center, 3-14-2 Tatsumi Koto-Ku, Tokyo 135, Japan. 03-3521-8315

MFAX: RMFAX0@email.sps.mot.com - TOUCHTONE (602) 244-6609
INTERNET: <http://Design-NET.com>

HONG KONG: Motorola Semiconductors H.K. Ltd.; 8B Tai Ping Industrial Park,
51 Ting Kok Road, Tai Po, N.T., Hong Kong. 852-26629298

