

MAX809 Series, MAX810 Series

Very Low Supply Current 3-Pin Microprocessor Reset Monitors

The MAX809 and MAX810 are cost-effective system supervisor circuits designed to monitor V_{CC} in digital systems and provide a reset signal to the host processor when necessary. No external components are required.

The reset output is driven active within 10 μ sec of V_{CC} falling through the reset voltage threshold. Reset is maintained active for a minimum of 140 msec after V_{CC} rises above the reset threshold. The MAX810 has an active-high RESET output while the MAX809 has an active-low $\overline{\text{RESET}}$ output. The output of the MAX809 is guaranteed valid down to $V_{CC} = 1.0$ V. Both devices are available in a SOT-23 package.

The MAX809/810 are optimized to reject fast transient glitches on the V_{CC} line. Low supply current of 1.0 μ A ($V_{CC} = 3.2$ V) makes these devices suitable for battery powered applications.

Features

- Precision V_{CC} Monitor for 2.5 V, 3.0 V, 3.3 V, and 5.0 V Supplies
- Precision Monitoring Voltages from 1.6 V to 4.9 V Available in 100 mV Steps
- 140 msec Guaranteed Minimum $\overline{\text{RESET}}$ Output Duration
- $\overline{\text{RESET}}$ Output Guaranteed to $V_{CC} = 1.0$ V
- Low Supply Current
- V_{CC} Transient Immunity
- Small SOT-23 Package
- No External Components
- Wide Operating Temperature: -40°C to 105°C

Typical Applications

- Computers
- Embedded Systems
- Battery Powered Equipment
- Critical μ P Power Supply Monitoring

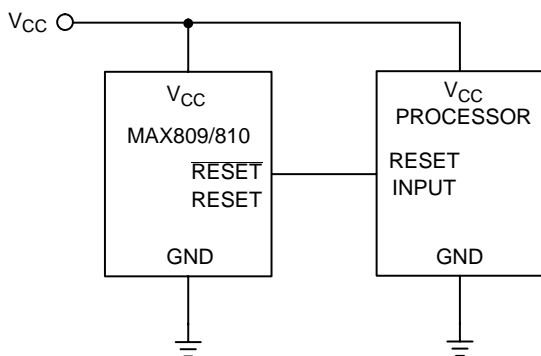


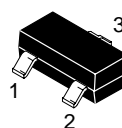
Figure 1. Typical Application Diagram



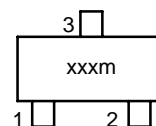
ON Semiconductor™

<http://onsemi.com>

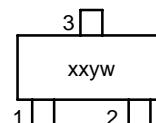
MARKING DIAGRAMS



SOT-23
(TO-236)
CASE 318

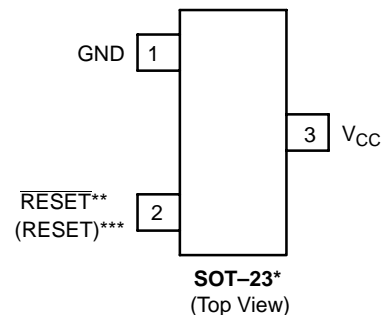


See specific device marking information on page 8.



xx, xxx = Specific Device Code
m = Date Code
y = Year
w = Work Week

PIN CONFIGURATION



NOTE: * SOT-23 is equivalent to JEDEC (TO-236)
** RESET is for MAX809
*** RESET is for MAX810

ORDERING INFORMATION

Device	Package	Shipping
MAX809xTR	SOT-23	3000 Tape/Reel
MAX809SNxxxT1	SOT-23	3000 Tape/Reel
MAX810xTR	SOT-23	3000 Tape/Reel

NOTE: The "x" and "xxx" denotes a suffix for V_{CC} voltage threshold options – see page 8 for more details.

DEVICE MARKING INFORMATION

See general marking information in the device marking section on page 8 of this data sheet.

MAX809 Series, MAX810 Series

PIN DESCRIPTION

Pin No.	Symbol	Description
1	GND	Ground
2	RESET (MAX809)	RESET output remains low while V_{CC} is below the reset voltage threshold, and for 240 msec (typ.) after V_{CC} rises above reset threshold
2	RESET (MAX810)	RESET output remains high while V_{CC} is below the reset voltage threshold, and for 240 msec (typ.) after V_{CC} rises above reset threshold
3	V_{CC}	Supply Voltage (typ.)

ABSOLUTE MAXIMUM RATINGS* (Note 1)

Rating	Symbol	Value	Unit
Supply Voltage (V_{CC} to GND)	V_{CC}	6.0	V
RESET		-0.3 to ($V_{CC} + 0.3$)	V
Input Current, V_{CC}		20	mA
Output Current, RESET		20	mA
dV/dt (V_{CC})		100	V/ μ sec
Thermal Resistance, Junction to Air	$R_{\theta JA}$	491	$^{\circ}$ C/W
Operating Temperature Range (Data given for MAX809 threshold levels: 1.60 V, 2.32 V, 2.93 V, 4.63 V and 4.90 V)	T_A	-40 to +105	$^{\circ}$ C
Operating Temperature Range (Data given for MAX809 threshold levels: 2.63 V, 3.08 V, 4.00 V and 4.38 V; MAX810 threshold levels: 2.63 V, 2.93 V, 3.08 V, 4.38 V and 4.63 V)	T_A	-40 to +85	$^{\circ}$ C
Storage Temperature Range	T_{stg}	-65 to +150	$^{\circ}$ C
Lead Temperature (Soldering, 10 Seconds)	T_{sol}	+260	$^{\circ}$ C
Latch-up performance:	$I_{Latch-up}$	200 200	mA
	Positive	200	
	Negative	200	

*Maximum Ratings are those values beyond which damage to the device may occur.

- This device series contains ESD protection and exceeds the following tests:
Human Body Model 2000 V per MIL-STD-883, Method 3015.
Machine Model Method 350 V.
- The maximum package power dissipation limit must not be exceeded.

$$P_D = \frac{T_{J(max)} - T_A}{R_{\theta JA}} \quad \text{with } T_{J(max)} = 150^{\circ}\text{C}$$

ELECTRICAL CHARACTERISTICS $T_A = -40^{\circ}\text{C}$ to $+105^{\circ}\text{C}$ unless otherwise noted. Typical values are at $T_A = +25^{\circ}\text{C}$. (Note 3)

The following data is given for MAX809 threshold levels: 1.60 V, 2.32 V, 2.93 V, 4.63 V and 4.90 V.

Characteristic	Symbol	Min	Typ	Max	Unit
V_{CC} Range $T_A = 0^{\circ}\text{C}$ to $+70^{\circ}\text{C}$ $T_A = -40^{\circ}\text{C}$ to $+105^{\circ}\text{C}$		1.0 1.2	- -	5.5 5.5	V
Supply Current $V_{CC} = 3.3$ V $T_A = -40^{\circ}\text{C}$ to $+85^{\circ}\text{C}$ $T_A = 85^{\circ}\text{C}$ to $+105^{\circ}\text{C}$ $V_{CC} = 5.5$ V $T_A = -40^{\circ}\text{C}$ to $+85^{\circ}\text{C}$ $T_A = 85^{\circ}\text{C}$ to $+105^{\circ}\text{C}$	I_{CC}	- - - -	0.5 - 0.8 -	1.2 2.0 1.8 2.5	μ A

- Production testing done at $T_A = 25^{\circ}\text{C}$, over temperature limits guaranteed by design.

MAX809 Series, MAX810 Series

ELECTRICAL CHARACTERISTICS (continued) $T_A = -40^{\circ}\text{C}$ to $+105^{\circ}\text{C}$ unless otherwise noted. Typical values are at $T_A = +25^{\circ}\text{C}$.
 (Note 4) The following data is given for MAX809 threshold levels: 1.60 V, 2.32 V, 2.93 V, 4.63 V and 4.90 V.

Characteristic	Symbol	Min	Typ	Max	Unit
Reset Threshold (Note 5)	V_{TH}				V
MAX809SN490					
$T_A = +25^{\circ}\text{C}$		4.83	4.9	4.97	
$T_A = -40^{\circ}\text{C}$ to $+85^{\circ}\text{C}$		4.78	–	5.02	
$T_A = +85^{\circ}\text{C}$ to $+105^{\circ}\text{C}$		4.66	–	5.14	
MAX809LTR					
$T_A = +25^{\circ}\text{C}$		4.56	4.63	4.70	
$T_A = -40^{\circ}\text{C}$ to $+85^{\circ}\text{C}$		4.50	–	4.75	
$T_A = +85^{\circ}\text{C}$ to $+105^{\circ}\text{C}$		4.40	–	4.86	
MAX809STR					
$T_A = +25^{\circ}\text{C}$		2.89	2.93	2.96	
$T_A = -40^{\circ}\text{C}$ to $+85^{\circ}\text{C}$		2.85	–	3.00	
$T_A = +85^{\circ}\text{C}$ to $+105^{\circ}\text{C}$		2.78	–	3.08	
MAX809SN232					
$T_A = +25^{\circ}\text{C}$		2.28	2.32	2.35	
$T_A = -40^{\circ}\text{C}$ to $+85^{\circ}\text{C}$		2.25	–	2.38	
$T_A = +85^{\circ}\text{C}$ to $+105^{\circ}\text{C}$		2.21	–	2.45	
MAX809SN160					
$T_A = +25^{\circ}\text{C}$		1.58	1.6	1.62	
$T_A = -40^{\circ}\text{C}$ to $+85^{\circ}\text{C}$		1.56	–	1.64	
$T_A = +85^{\circ}\text{C}$ to $+105^{\circ}\text{C}$		1.52	–	1.68	
Reset Temperature Coefficient		–	30	–	ppm/ $^{\circ}\text{C}$
V_{CC} to Reset Delay $V_{CC} = V_{TH}$ to $(V_{TH} - 100\text{ mV})$		–	10	–	μsec
Reset Active Timeout Period		140	240	460	msec
RESET Output Voltage Low $V_{CC} = V_{TH} - 0.2\text{ V}$ $1.6\text{ V} \leq V_{TH} \leq 2.0\text{ V}$, $I_{SINK} = 0.5\text{ mA}$ $2.1\text{ V} \leq V_{TH} \leq 4.0\text{ V}$, $I_{SINK} = 1.2\text{ mA}$ $4.1\text{ V} \leq V_{TH} \leq 4.9\text{ V}$, $I_{SINK} = 3.2\text{ mA}$	V_{OL}	–	–	0.3	V
RESET Output Voltage High $V_{CC} = V_{TH} + 0.2\text{ V}$ $1.6\text{ V} \leq V_{TH} \leq 2.4\text{ V}$, $I_{SOURCE} = 200\text{ }\mu\text{A}$ $2.5\text{ V} \leq V_{TH} \leq 4.9\text{ V}$, $I_{SOURCE} = 500\text{ }\mu\text{A}$	V_{OH}	$0.8 V_{CC}$	–	–	V

4. Production testing done at $T_A = 25^{\circ}\text{C}$, over temperature limits guaranteed by design.
5. Contact your ON Semiconductor sales representative for other threshold voltage options.

MAX809 Series, MAX810 Series

ELECTRICAL CHARACTERISTICS (V_{CC} = Full Range, T_A = -40°C to $+85^{\circ}\text{C}$ unless otherwise noted. Typical values are at T_A = $+25^{\circ}\text{C}$, V_{CC} = 5.0 V for L/M/J, 3.3 V for T/S, 3.0 V for R) (Note 6) The following data is given for MAX809 threshold levels: 2.63 V, 3.08 V, 4.00 V and 4.38 V; MAX810 threshold levels: 2.63 V, 2.93 V, 3.08 V, 4.38 V and 4.63 V.

Characteristic	Symbol	Min	Typ	Max	Unit
V_{CC} Range T_A = 0°C to $+70^{\circ}\text{C}$ T_A = -40°C to $+85^{\circ}\text{C}$		1.0 1.2	– –	5.5 5.5	V
Supply Current MAX8xxM/MAX809J/MAX810L: V_{CC} < 5.5 V MAX8xxR/T/MAX810S: V_{CC} < 3.6 V	I_{CC}	– –	24 17	60 50	μA
Reset Threshold (Note 6) MAX810L: T_A = 25°C T_A = -40°C to $+85^{\circ}\text{C}$ MAX8xxM: T_A = 25°C T_A = -40°C to $+85^{\circ}\text{C}$ MAX809J: T_A = 25°C T_A = -40°C to $+85^{\circ}\text{C}$ MAX8xxT: T_A = 25°C T_A = -40°C to $+85^{\circ}\text{C}$ MAX810S: T_A = 25°C T_A = -40°C to $+85^{\circ}\text{C}$ MAX8xxR: T_A = 25°C T_A = -40°C to $+85^{\circ}\text{C}$	V_{TH}	4.56 4.50 4.31 4.25 3.93 3.89 3.04 3.00 2.89 2.85 2.59 2.55	4.63 – 4.38 – 4.00 – 3.08 – 2.93 – 2.63 –	4.70 4.75 4.45 4.50 4.06 4.10 3.11 3.15 2.96 3.00 2.66 2.70	V
Reset Threshold Temperature Coefficient		–	30	–	ppm/ $^{\circ}\text{C}$
V_{CC} to Reset Delay $V_{CC} = V_{TH}$ to $(V_{TH} - 100 \text{ mV})$		–	20	–	μsec
Reset Active Timeout Period		140	240	560	msec
RESET Output Voltage Low (MAX809) MAX809R/T: $V_{CC} = V_{TH}$ min, $I_{SINK} = 1.2 \text{ mA}$ MAX809M/J: $V_{CC} = V_{TH}$ min, $I_{SINK} = 3.2 \text{ mA}$ $V_{CC} > 1.0 \text{ V}$, $I_{SINK} = 50 \mu\text{A}$	V_{OL}	– – –	– – –	0.3 0.4 0.3	V
RESET Output Voltage High (MAX809) MAX809R/T: $V_{CC} > V_{TH}$ max, $I_{SOURCE} = 500 \mu\text{A}$ MAX809M/J: $V_{CC} > V_{TH}$ max, $I_{SOURCE} = 800 \mu\text{A}$	V_{OH}	0.8 V_{CC} $V_{CC} - 1.5$	– –	– –	V
RESET Output Voltage Low (MAX810) MAX810R/S/T: $V_{CC} = V_{TH}$ max, $I_{SINK} = 1.2 \text{ mA}$ MAX810L/M: $V_{CC} = V_{TH}$ max, $I_{SINK} = 3.2 \text{ mA}$	V_{OL}	– –	– –	0.3 0.4	V
RESET Output Voltage High (MAX810) $1.8 < V_{CC} < V_{TH}$ min, $I_{SOURCE} = 150 \mu\text{A}$	V_{OH}	0.8 V_{CC}	–	–	V

6. Production testing done at $T_A = 25^{\circ}\text{C}$, over temperature limits guaranteed by design.

MAX809 Series, MAX810 Series

APPLICATIONS INFORMATION

V_{CC} Transient Rejection

The MAX809 provides accurate V_{CC} monitoring and reset timing during power-up, power-down, and brownout/sag conditions, and rejects negative-going transients (glitches) on the power supply line. Figure 2 shows the maximum transient duration vs. maximum negative excursion (overdrive) for glitch rejection. Any combination of duration and overdrive which lies **under** the curve will **not** generate a reset signal. Combinations above the curve are detected as a brownout or power-down. Typically, transient that goes 100 mV below the reset threshold and lasts 5 μs or less will not cause a reset pulse. Transient immunity can be improved by adding a capacitor in close proximity to the V_{CC} pin of the MAX809.

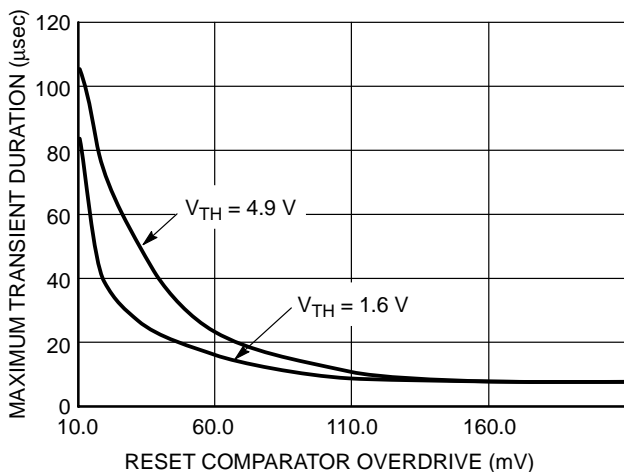
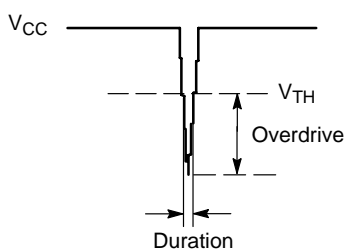


Figure 2. Maximum Transient Duration vs. Overdrive for Glitch Rejection at 25°C

RESET Signal Integrity During Power-Down

The MAX809 $\overline{\text{RESET}}$ output is valid to V_{CC} = 1.0 V. Below this voltage the output becomes an “open circuit” and does not sink current. This means CMOS logic inputs to the μP will be floating at an undetermined voltage. Most digital systems are completely shutdown well above this voltage. However, in situations where $\overline{\text{RESET}}$ must be maintained

valid to V_{CC} = 0 V, a pull-down resistor must be connected from $\overline{\text{RESET}}$ to ground to discharge stray capacitances and hold the output low (Figure 3). This resistor value, though not critical, should be chosen such that it does not appreciably load $\overline{\text{RESET}}$ under normal operation (100 kΩ will be suitable for most applications).

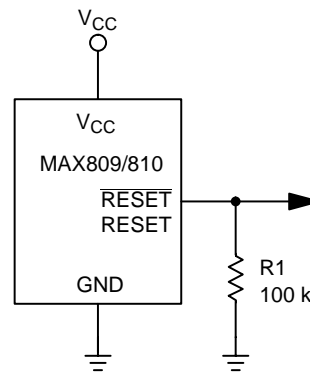


Figure 3. Ensuring RESET Valid to V_{CC} = 0 V

Processors With Bidirectional I/O Pins

Some μP's (such as Motorola 68HC11) have bi-directional reset pins. Depending on the current drive capability of the processor pin, an indeterminate logic level may result if there is a logic conflict. This can be avoided by adding a 4.7 kΩ resistor in series with the output of the MAX809 (Figure 4). If there are other components in the system which require a reset signal, they should be buffered so as not to load the reset line. If the other components are required to follow the reset I/O of the μP, the buffer should be connected as shown with the solid line.

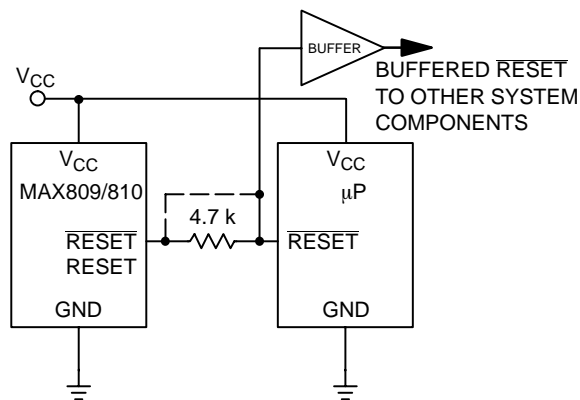


Figure 4. Interfacing to Bidirectional Reset I/O

MAX809 Series, MAX810 Series

TYPICAL CHARACTERISTICS

The following data is given for MAX809 threshold levels: 1.60 V, 2.32 V, 2.93 V, 4.63 V and 4.90 V.

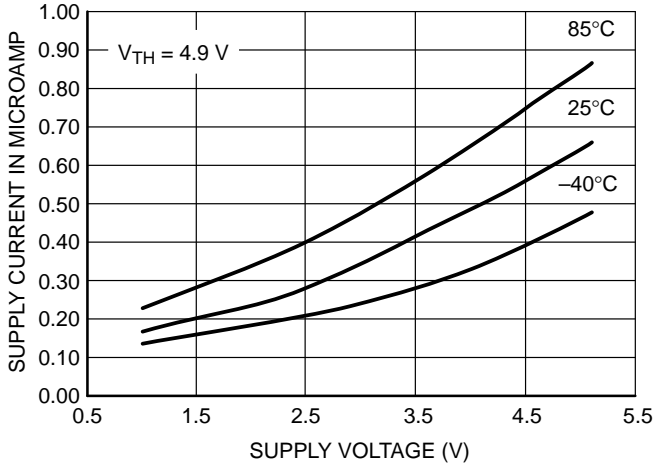


Figure 5. Supply Current vs. Supply Voltage

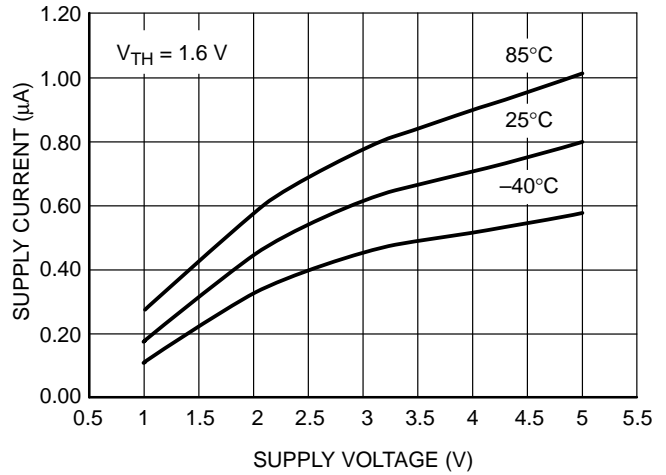


Figure 6. Supply Current vs. Supply Voltage

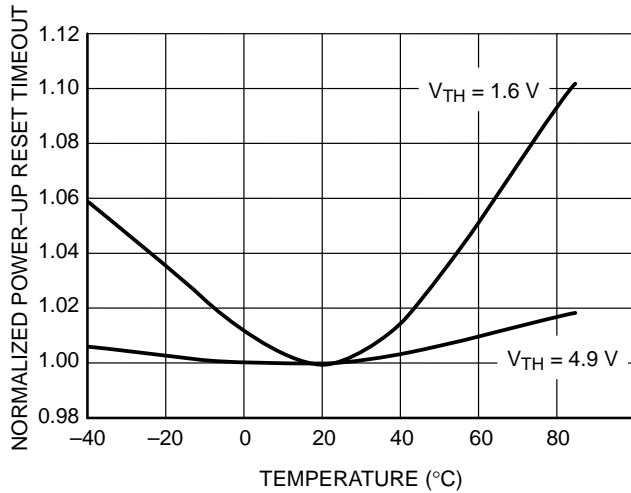


Figure 7. Normalized Power-Up Reset vs. Temperature

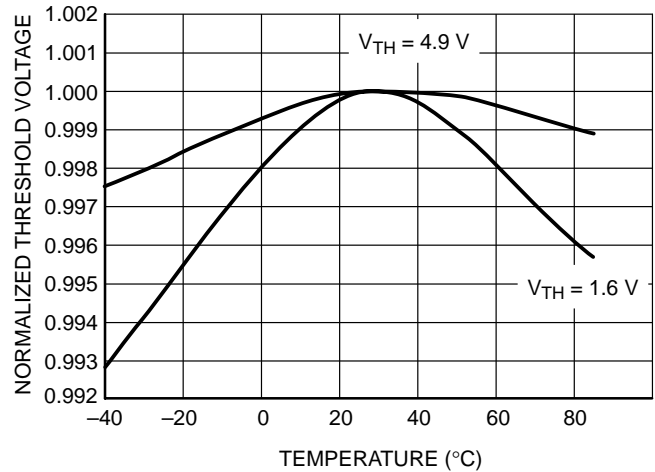


Figure 8. Normalized Reset Threshold Voltage vs. Temperature

MAX809 Series, MAX810 Series

TYPICAL CHARACTERISTICS

The following data is given for MAX809 threshold levels: 2.63 V, 3.08 V, 4.00 V and 4.38 V;
 MAX810 threshold levels: 2.63 V, 2.93 V, 3.08 V, 4.38 V and 4.63 V.

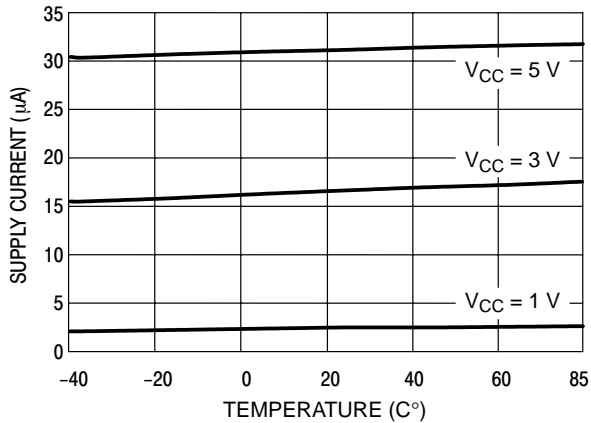


Figure 9. Supply Current vs. Temperature (No Load, MAX8xxR/T, MAX810S)

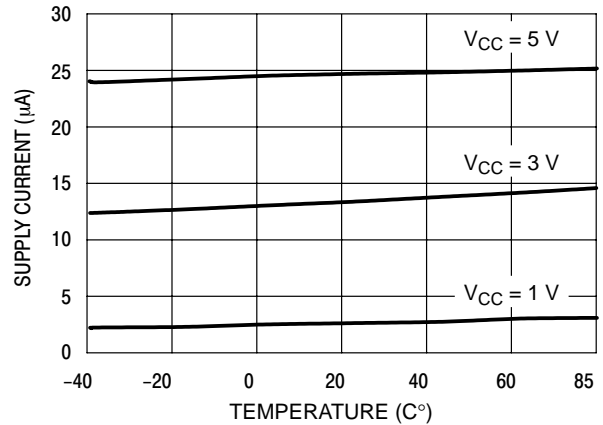


Figure 10. Supply Current vs. Temperature (No Load, MAX8xxM/MAX809J, MAX810L)

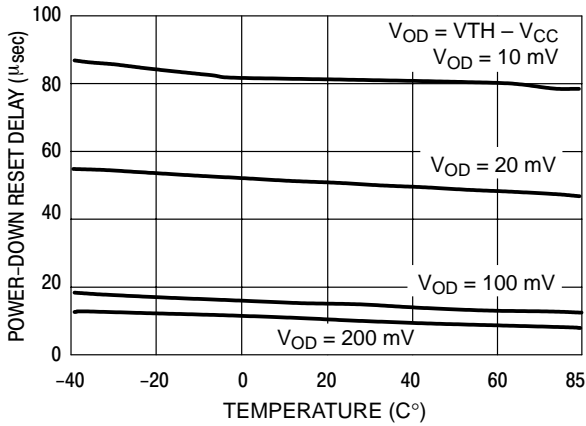


Figure 11. Power-Down Reset Delay vs. Temperature and Overdrive (MAX8xxR/T, MAX810S)

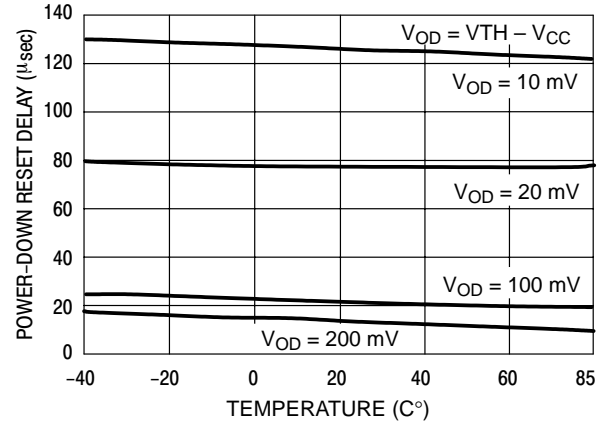


Figure 12. Power-Down Reset Delay vs. Temperature and Overdrive (MAX8xxM/MAX809J, MAX810L)

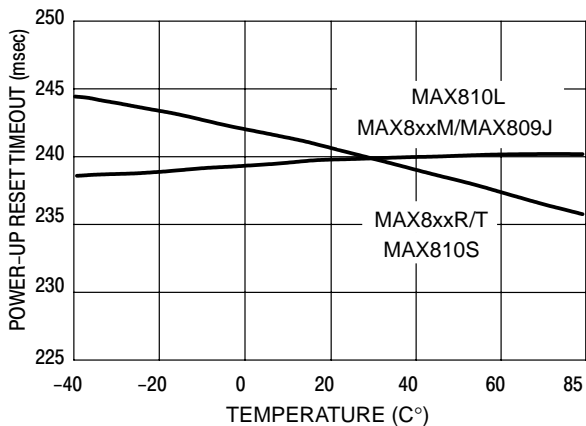


Figure 13. Power-Up Reset Timeout vs. Temperature

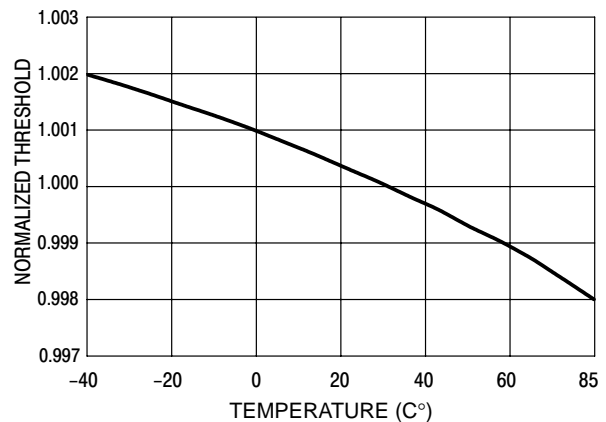
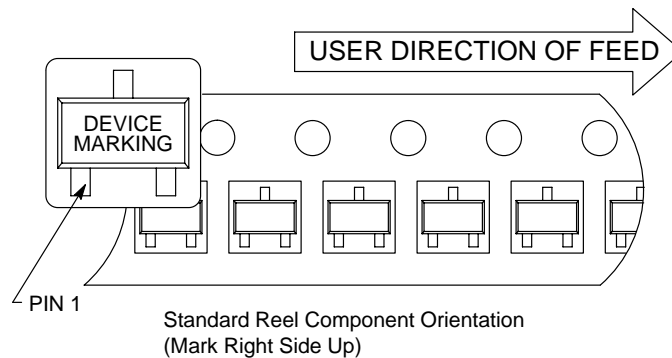


Figure 14. Normalized Reset Threshold vs. Temperature

MAX809 Series, MAX810 Series

TAPING FORM

Component Taping Orientation for 3L SOT-23 (JEDEC-236) Devices



Tape & Reel Specifications Table

Package	Carrier Width (W)	Pitch (P)	Part Per Full Reel	Reel Size
SOT-23	8 mm	4 mm	3000	7 inches

MARKING AND THRESHOLD INFORMATION

ON Semiconductor Part #	V_{TH}^*	Description	Marking
MAX809SN160T1	1.60	Push-Pull \overline{RESET}	SAAm
MAX809SN232T1	2.32		SQPm
MAX809STR	2.93		SPTm
MAX809LTR	4.63		SPWm
MAX809SN490T1	4.90		SBHm
MAX809MTR	4.38		J2yw
MAX809TTR	3.08		J3yw
MAX809RTR	2.63		J5yw
MAX809JTR	4.00		J6yw
MAX810MTR	4.38		Push-Pull \overline{RESET}
MAX810TTR	3.08	K3yw	
MAX810RTR	2.63	K5yw	
MAX810LTR	4.63	K1yw	
MAX810STR	2.93	K4yw	

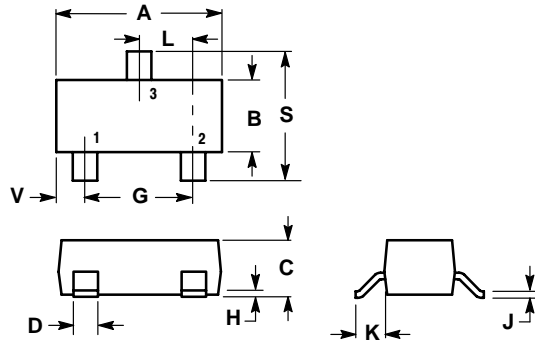
*Contact your ON Semiconductor sales representative for other threshold voltage options.

m = Date Code
y = Year
w = Work Week

MAX809 Series, MAX810 Series

PACKAGE DIMENSIONS

SOT-23
 PLASTIC PACKAGE (TO-236)
 CASE 318-08
 ISSUE AH



NOTES:

1. DIMENSIONING AND TOLERANCING PER ANSI Y14.5M, 1982.
2. CONTROLLING DIMENSION: INCH.
3. MAXIMUM LEAD THICKNESS INCLUDES LEAD FINISH THICKNESS. MINIMUM LEAD THICKNESS IS THE MINIMUM THICKNESS OF BASE MATERIAL.
4. 318-03 AND -07 OBSOLETE, NEW STANDARD 318-08.

DIM	INCHES		MILLIMETERS	
	MIN	MAX	MIN	MAX
A	0.1102	0.1197	2.80	3.04
B	0.0472	0.0551	1.20	1.40
C	0.0350	0.0440	0.89	1.11
D	0.0150	0.0200	0.37	0.50
G	0.0701	0.0807	1.78	2.04
H	0.0005	0.0040	0.013	0.100
J	0.0034	0.0070	0.085	0.177
K	0.0140	0.0285	0.35	0.69
L	0.0350	0.0401	0.89	1.02
S	0.0830	0.1039	2.10	2.64
V	0.0177	0.0236	0.45	0.60

Notes

Notes

MAX809 Series, MAX810 Series

ON Semiconductor and  are trademarks of Semiconductor Components Industries, LLC (SCILLC). SCILLC reserves the right to make changes without further notice to any products herein. SCILLC makes no warranty, representation or guarantee regarding the suitability of its products for any particular purpose, nor does SCILLC assume any liability arising out of the application or use of any product or circuit, and specifically disclaims any and all liability, including without limitation special, consequential or incidental damages. "Typical" parameters which may be provided in SCILLC data sheets and/or specifications can and do vary in different applications and actual performance may vary over time. All operating parameters, including "Typicals" must be validated for each customer application by customer's technical experts. SCILLC does not convey any license under its patent rights nor the rights of others. SCILLC products are not designed, intended, or authorized for use as components in systems intended for surgical implant into the body, or other applications intended to support or sustain life, or for any other application in which the failure of the SCILLC product could create a situation where personal injury or death may occur. Should Buyer purchase or use SCILLC products for any such unintended or unauthorized application, Buyer shall indemnify and hold SCILLC and its officers, employees, subsidiaries, affiliates, and distributors harmless against all claims, costs, damages, and expenses, and reasonable attorney fees arising out of, directly or indirectly, any claim of personal injury or death associated with such unintended or unauthorized use, even if such claim alleges that SCILLC was negligent regarding the design or manufacture of the part. SCILLC is an Equal Opportunity/Affirmative Action Employer.

PUBLICATION ORDERING INFORMATION

Literature Fulfillment:

Literature Distribution Center for ON Semiconductor
P.O. Box 5163, Denver, Colorado 80217 USA
Phone: 303-675-2175 or 800-344-3860 Toll Free USA/Canada
Fax: 303-675-2176 or 800-344-3867 Toll Free USA/Canada
Email: ONlit@hibbertco.com

N. American Technical Support: 800-282-9855 Toll Free USA/Canada

JAPAN: ON Semiconductor, Japan Customer Focus Center
4-32-1 Nishi-Gotanda, Shinagawa-ku, Tokyo, Japan 141-0031
Phone: 81-3-5740-2700
Email: r14525@onsemi.com

ON Semiconductor Website: <http://onsemi.com>

For additional information, please contact your local Sales Representative.