



**MBC13916**

**The RF Building Block Series  
General Purpose SiGe:C  
RF Cascode Amplifier**

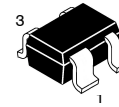
The MBC13916 is a cost-effective, high isolation amplifier fabricated with Motorola's Advanced RF BiCMOS process using the SiGe:C module. It is intended to be a similar replacement for the MRFIC0916 and is housed in the smaller SOT-343R surface mount package. As with the MRFIC0916, the device is designed for general purpose RF applications, but has improved high frequency gain and noise figure. On-chip bias circuitry sets the bias point, while matching is accomplished off-chip, affording the maximum in application flexibility.

**GENERAL PURPOSE SiGe:C  
RF CASCODE AMPLIFIER**

**SEMICONDUCTOR  
TECHNICAL DATA**

- Usable Frequency Range = 100 to 2500 MHz
- 19 dB typical gain at 900 MHz,  $V_{CC} = 2.7 V$
- $NF_{min}$  (Device Level) = 0.9 dB @ 900 MHz
- $NF_{min}$  (Device Level) = 1.9 dB @ 1.9 GHz
- 2.5 dBm typical Output Power at 1.0 dB Gain Compression at 900 MHz,  $V_{CC} = 2.7 V$
- 45 dB Typical Reverse Isolation (Device Level) at 900 MHz,  $V_{CC} = 2.7 V$
- 4.7 mA Typ Bias Current at  $V_{CC} = 2.7 V$
- 2.7 to 5.0 V Supply
- Industry Standard SOT-343R Package
- Available Only in Tape and Reel Packaging
- Device Weight = 0.00642 g (Typ)

- Pin 1. Gnd  
2. RF In  
3. RF Out  
4. Gnd



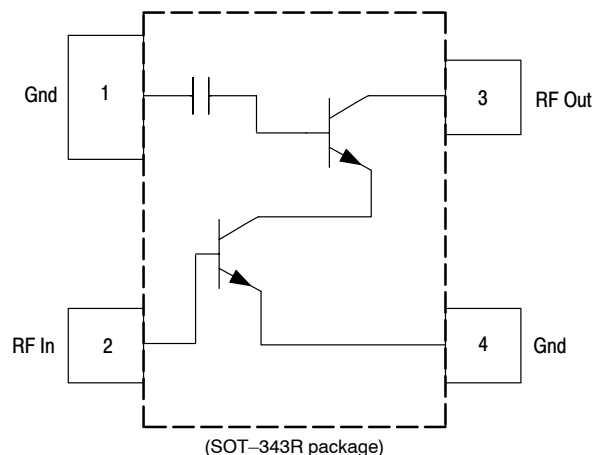
(Scale 4:1)

PLASTIC PACKAGE  
SOT-343R  
(Tape & Reel Only)

**ORDERING INFORMATION**

Device	Device Marking	Package
MBC13916T1	916	SOT-343R

**Functional Block Diagram**



**MAXIMUM RATINGS** (T<sub>A</sub> = 25°C, unless otherwise noted)

Rating	Symbol	Value	Unit
Supply Voltage	V <sub>CC</sub>	6.0	Vdc
RF Input Power	P <sub>RF</sub>	10	dBm
Power Dissipation	P <sub>DIS</sub>	100	mW
Supply Current	I <sub>CC</sub>	20	mA
Thermal Resistance, Junction to Case	R <sub>θJC</sub>	400	C/W
Storage Temperature Range	T <sub>stg</sub>	-65 to 150	°C
Operating Case Temperature	T <sub>C</sub>	-40 to 100	°C

- NOTES:** 1. Maximum Ratings are those values beyond which damage to the device may occur. Functional operation should be restricted to the limits in the Recommended Operating Conditions and Electrical Characteristics tables.  
 2. ESD (electrostatic discharge) immunity meets Human Body Model (HBM) ≤550 V and Machine Model (MM) ≤50 V. Additional EST data available upon request.

**RECOMMENDED OPERATING CONDITIONS**

Characteristic	Symbol	Min	Typ	Max	Unit
RF Frequency	f <sub>RF</sub>	100	–	2500	MHz
Supply Voltage	V <sub>CC</sub>	2.7	–	5.0	Vdc

**DEVICE LEVEL CHARACTERISTICS** (V<sub>CC</sub> = 2.7 V, T<sub>A</sub> = 25°C, measured in S-parameter test fixture, unless otherwise noted.)

Characteristic	Symbol	Min	Typ	Max	Unit
Insertion Gain f = 900 MHz f = 1900 MHz	S <sub>21</sub>   <sup>2</sup>	– –	16.5 10	– –	dB
Maximum Stable Gain and/or Minimum Available Gain [Note 1] f = 900 MHz f = 1900 MHz	MSG, MAG	– –	24.5 14.3	– –	dB
Minimum Noise Figure [Note 2] f = 900 MHz f = 1900 MHz	NF <sub>min</sub>	– –	0.9 1.9	– –	dB
Output Third Order Intercept Point [Note 3] f = 900 MHz f = 1900 MHz	OIP3	– –	16.5 17	– –	dBm
Reverse Isolation f = 900 MHz f = 1900 MHz	S <sub>12</sub>   <sup>2</sup>	– –	-45 -31	– –	dB

**NOTES:** 1. Maximum Available Gain and Maximum Stable Gain are defined by the K factor as follows:

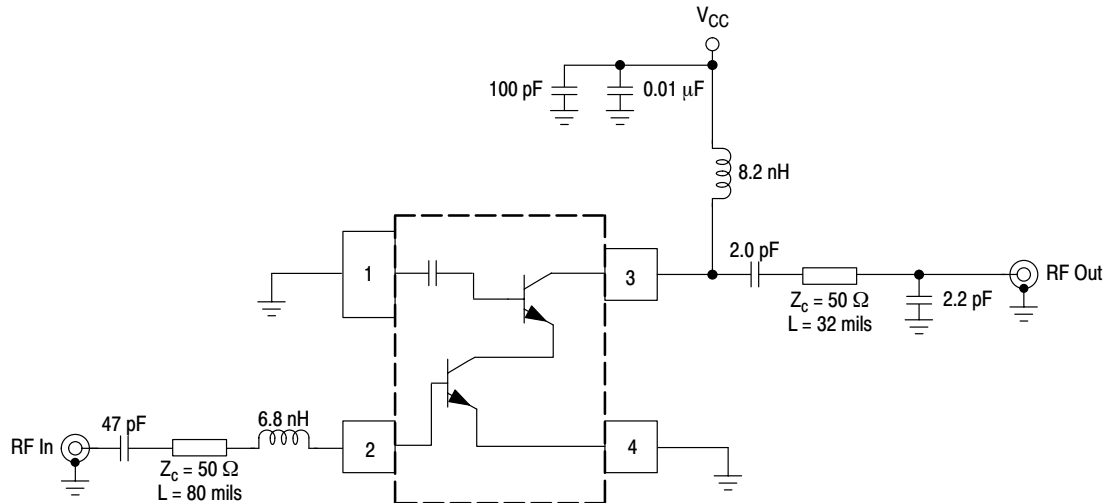
$$MAG = \left| \frac{S_{21}}{S_{12}} \left( K \pm \sqrt{K^2 - 1} \right) \right|, \text{ if } K > 1, \text{ MSG} = \left| \frac{S_{21}}{S_{12}} \right|, \text{ if } K < 1$$

2. Device matched for best noise figure.  
 3. Z<sub>out</sub> matched for optimum IP3.

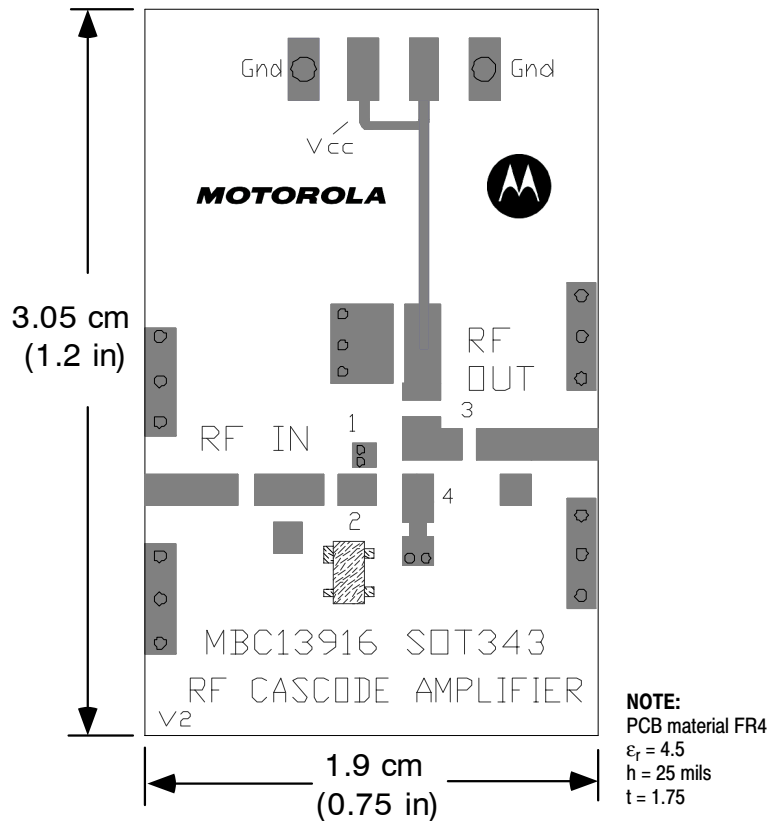
**ELECTRICAL CHARACTERISTICS** ( $V_{CC} = 2.7\text{ V}$ ,  $T_A = 25^\circ\text{C}$ ,  $f_{RF} = 900\text{ MHz}$ , Tested in Circuit Shown in Figure 1, unless otherwise noted.)

Characteristic	Symbol	Min	Typ	Max	Unit
Small Signal Gain	$S_{21}$	17	19	21	dB
Noise Figure	NF	–	1.25	–	dB
Power Output at 1.0 dB Gain Compression	$P_{1dB}$	0	2.5	–	dBm
Output 3rd Order Intercept Point	OIP3	–	13	–	dBm
Reverse Isolation	$S_{12}$	–	-42	–	dB
Supply Current	$I_{CC}$	3.8	4.7	5.6	mA

**Figure 1. 900 MHz Applications Circuit Configuration**



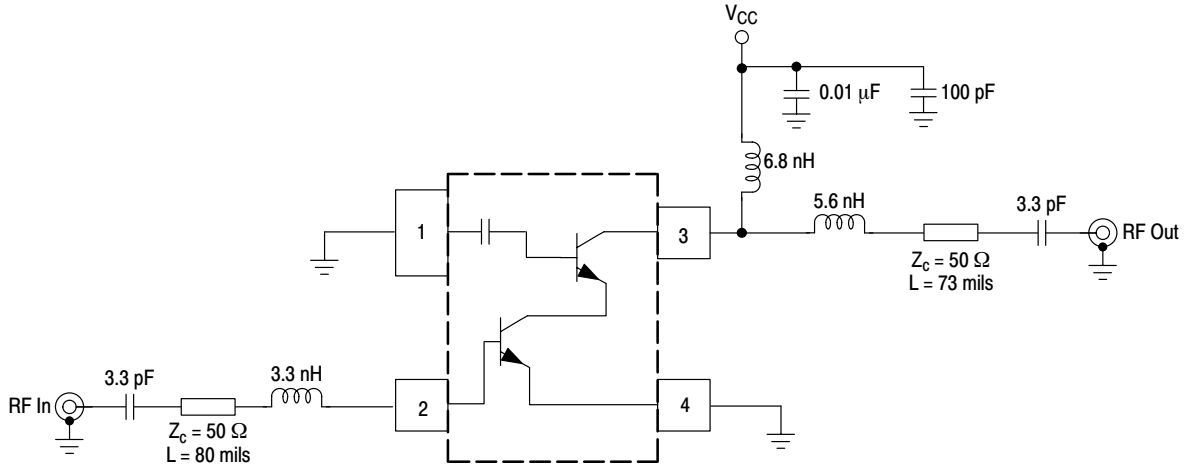
**Figure 2. 900 MHz Printed Circuit Board**



**ELECTRICAL CHARACTERISTICS** ( $V_{CC} = 2.7\text{ V}$ ,  $T_A = 25^\circ\text{C}$ ,  $f_{RF} = 1.9\text{ GHz}$ , Tested in Circuit Shown in Figure 3, unless otherwise noted.)

Characteristic	Symbol	Min	Typ	Max	Unit
Small Signal Gain	$S_{21}$	9.5	11.5	13.5	dB
Noise Figure	NF	–	2.1	–	dB
Power Output at 1.0 dB Gain Compression	$P_{1dB}$	–	–4.0	–	dBm
Output 3rd Order Intercept Point	OIP3	–	5.5	–	dBm
Reverse Isolation	$S_{12}$	–	–28	–	dB
Supply Current	$I_{CC}$	3.8	4.7	5.6	mA

**Figure 3. 1.9 GHz Application Configuration Circuit**



**Figure 4. 1900 MHz Printed Circuit Board**

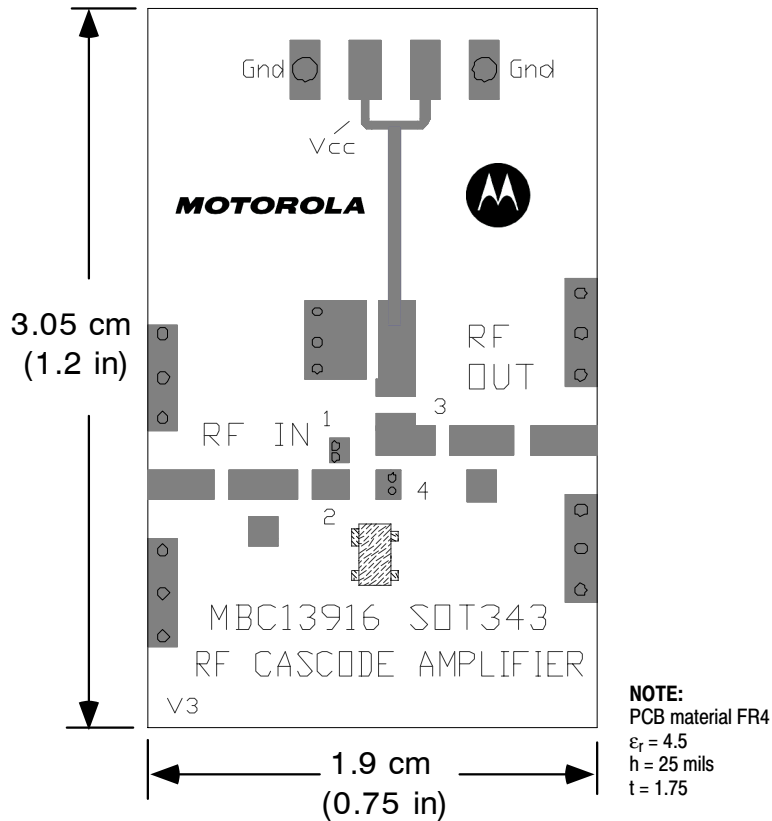


Figure 5. GUm<sub>ax</sub> versus Frequency

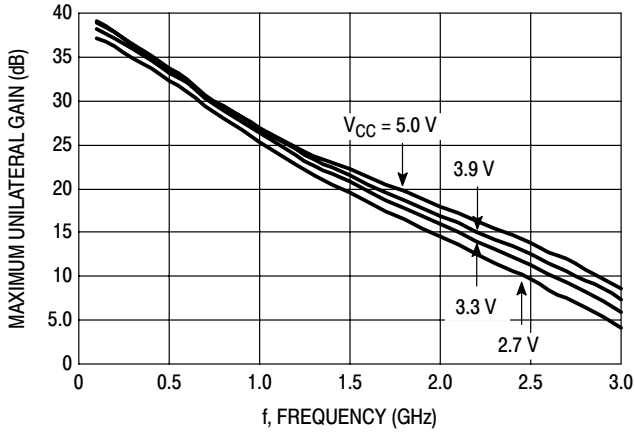


Figure 6. Output Power versus Input Power

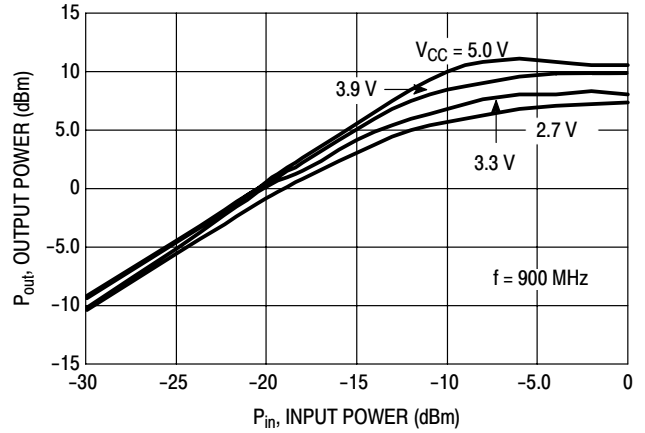


Figure 7. Output Power versus Input Power

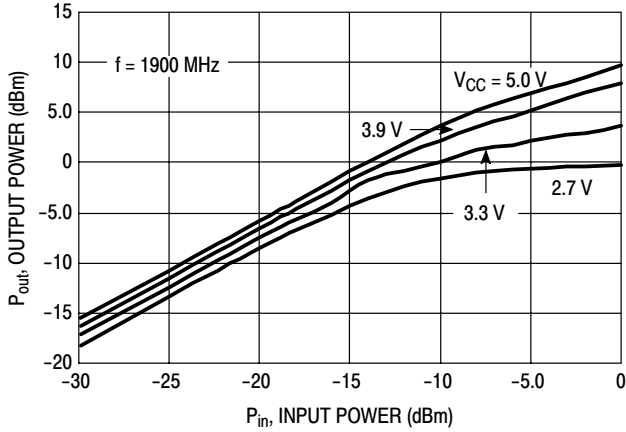


Figure 8. Supply Current versus Input Power

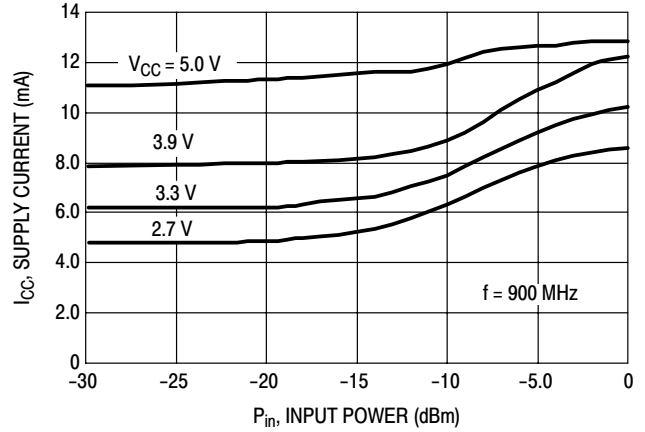
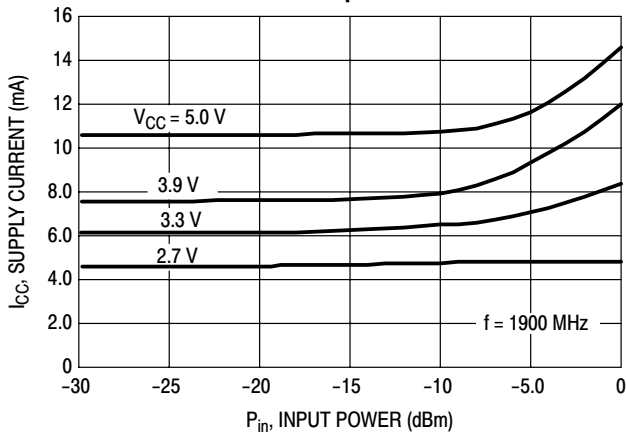


Figure 9. Supply Current versus Input Power



**Table 1. Scattering Parameters**  
( $V_{CC} = 2.7\text{ V}$ ,  $50\ \Omega$  System)

f (MHz)	S <sub>11</sub>		S <sub>21</sub>		S <sub>12</sub>		S <sub>22</sub>	
	S <sub>11</sub>	∠φ	S <sub>21</sub>	∠φ	S <sub>12</sub>	∠φ	S <sub>22</sub>	∠φ
100	0.829	-11	11.98	165	0.001	17	0.955	-4
200	0.798	-21	11.43	152	0.002	47	0.957	-7
300	0.753	-31	10.69	139	0.002	55	0.956	-11
400	0.701	-39	10.12	128	0.003	56	0.955	-14
500	0.648	-46	9.28	118	0.003	51	0.955	-18
600	0.599	-53	8.66	108	0.004	49	0.954	-22
700	0.554	-58	7.95	98	0.004	41	0.947	-26
800	0.518	-61	7.33	90	0.004	24	0.941	-30
900	0.485	-65	6.83	82	0.004	15	0.933	-34
1000	0.458	-67	6.23	74	0.004	-4	0.926	-38
1100	0.438	-69	5.78	67	0.004	-28	0.915	-43
1200	0.426	-71	5.39	60	0.005	-50	0.902	-46
1300	0.417	-72	4.97	52	0.006	-74	0.893	-51
1400	0.414	-73	4.59	46	0.008	-93	0.879	-54
1500	0.415	-74	4.31	39	0.011	-106	0.868	-58
1600	0.421	-75	3.99	32	0.014	-115	0.851	-62
1700	0.430	-76	3.66	25	0.018	-125	0.835	-66
1800	0.441	-78	3.43	19	0.022	-131	0.818	-70
1900	0.455	-80	3.16	12	0.027	-139	0.803	-73
2000	0.474	-82	2.93	5	0.033	-146	0.777	-77
2100	0.490	-85	2.70	-1	0.039	-152	0.761	-81
2200	0.504	-88	2.48	-8	0.045	-159	0.735	-85
2300	0.524	-92	2.27	-14	0.052	-163	0.707	-89
2400	0.542	-95	2.09	-21	0.059	-169	0.683	-93
2500	0.559	-98	1.90	-28	0.067	-175	0.651	-98
2600	0.572	-103	1.70	-34	0.075	180	0.624	-102
2700	0.587	-106	1.56	-40	0.083	174	0.593	-107
2800	0.603	-110	1.40	-48	0.091	169	0.562	-111
2900	0.610	-114	1.26	-55	0.098	163	0.533	-116
3000	0.613	-118	1.11	-60	0.105	160	0.501	-120

**Table 2. Scattering Parameters**  
( $V_{CC} = 3.0\text{ V}$ ,  $50\ \Omega$  System)

f (MHz)	S <sub>11</sub>		S <sub>21</sub>		S <sub>12</sub>		S <sub>22</sub>	
	S <sub>11</sub>	∠φ	S <sub>21</sub>	∠φ	S <sub>12</sub>	∠φ	S <sub>22</sub>	∠φ
100	0.812	-11	13.42	165	0.001	11	0.954	-3
200	0.778	-21	12.73	151	0.001	50	0.955	-7
300	0.731	-30	11.82	138	0.002	58	0.956	-11
400	0.677	-38	11.10	127	0.003	50	0.954	-14
500	0.623	-44	10.12	116	0.003	51	0.954	-18
600	0.575	-50	9.37	107	0.003	43	0.952	-22
700	0.533	-54	8.56	98	0.003	30	0.945	-26
800	0.499	-57	7.85	90	0.004	24	0.937	-30
900	0.470	-59	7.29	82	0.004	8	0.930	-34
1000	0.448	-61	6.63	74	0.003	-11	0.923	-38
1100	0.433	-63	6.14	67	0.004	-38	0.911	-42
1200	0.423	-64	5.72	60	0.005	-58	0.900	-46
1300	0.418	-65	5.27	53	0.006	-77	0.891	-50
1400	0.421	-66	4.87	47	0.008	-96	0.878	-54
1500	0.425	-67	4.56	40	0.011	-108	0.868	-58
1600	0.432	-68	4.23	34	0.014	-120	0.852	-61
1700	0.444	-70	3.89	27	0.018	-126	0.838	-65
1800	0.459	-72	3.63	21	0.022	-133	0.822	-69
1900	0.473	-74	3.35	15	0.027	-140	0.809	-73
2000	0.490	-77	3.12	8	0.033	-147	0.784	-77
2100	0.509	-80	2.87	2	0.039	-152	0.769	-80
2200	0.527	-83	2.64	-5	0.045	-159	0.744	-84
2300	0.545	-86	2.42	-11	0.051	-163	0.717	-88
2400	0.560	-90	2.23	-17	0.059	-170	0.694	-92
2500	0.579	-94	2.03	-24	0.067	-175	0.663	-97
2600	0.594	-98	1.82	-30	0.075	-180	0.637	-101
2700	0.606	-101	1.68	-36	0.083	175	0.607	-105
2800	0.620	-105	1.50	-43	0.090	169	0.576	-110
2900	0.630	-110	1.35	-50	0.097	164	0.548	-114
3000	0.636	-113	1.19	-55	0.105	160	0.516	-119

**Table 3. Scattering Parameters**  
( $V_{CC} = 3.3\text{ V}$ ,  $50\ \Omega$  System)

f (MHz)	S <sub>11</sub>		S <sub>21</sub>		S <sub>12</sub>		S <sub>22</sub>	
	S <sub>11</sub>	∠φ	S <sub>21</sub>	∠φ	S <sub>12</sub>	∠φ	S <sub>22</sub>	∠φ
100	0.796	-11	14.82	164	0.001	25	0.954	-3
200	0.760	-20	13.98	150	0.001	50	0.955	-7
300	0.711	-29	12.90	137	0.002	46	0.955	-11
400	0.655	-36	12.03	126	0.002	55	0.955	-14
500	0.602	-42	10.90	115	0.003	50	0.954	-18
600	0.556	-46	10.04	106	0.003	45	0.954	-22
700	0.517	-50	9.12	97	0.003	34	0.947	-26
800	0.487	-52	8.34	89	0.003	22	0.940	-30
900	0.463	-54	7.72	82	0.003	11	0.933	-34
1000	0.444	-56	7.02	74	0.003	-6	0.927	-38
1100	0.432	-57	6.49	67	0.003	-40	0.917	-42
1200	0.428	-58	6.03	61	0.005	-69	0.905	-46
1300	0.427	-59	5.55	53	0.006	-88	0.896	-50
1400	0.430	-60	5.13	48	0.008	-99	0.883	-53
1500	0.437	-61	4.81	41	0.011	-111	0.874	-57
1600	0.449	-62	4.45	35	0.014	-118	0.858	-61
1700	0.462	-64	4.09	29	0.018	-128	0.843	-64
1800	0.475	-66	3.83	23	0.022	-134	0.829	-68
1900	0.493	-69	3.53	17	0.027	-140	0.815	-72
2000	0.512	-72	3.28	10	0.032	-148	0.790	-76
2100	0.529	-75	3.03	4	0.038	-152	0.776	-79
2200	0.544	-78	2.79	-2	0.045	-159	0.752	-83
2300	0.565	-82	2.56	-8	0.051	-164	0.726	-87
2400	0.583	-85	2.37	-14	0.058	-169	0.704	-91
2500	0.599	-89	2.16	-21	0.067	-175	0.674	-96
2600	0.613	-93	1.94	-27	0.075	-179	0.648	-100
2700	0.629	-97	1.79	-32	0.083	175	0.621	-105
2800	0.643	-101	1.60	-39	0.091	170	0.589	-109
2900	0.650	-105	1.44	-46	0.098	164	0.562	-114
3000	0.653	-109	1.28	-51	0.105	160	0.531	-118



**Table 4. Scattering Parameters**  
( $V_{CC} = 3.9\text{ V}$ ,  $50\ \Omega$  System)

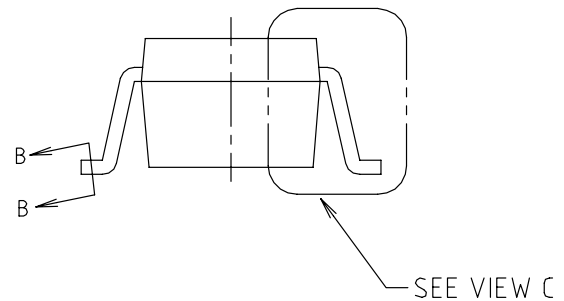
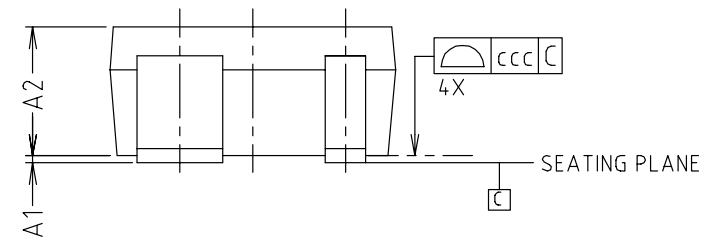
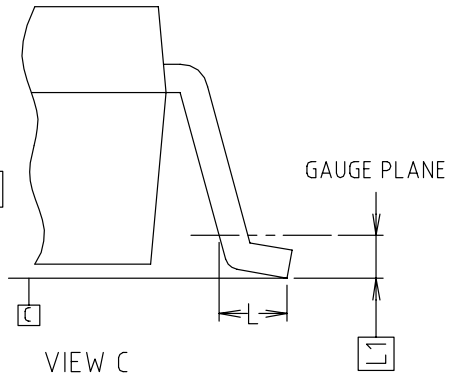
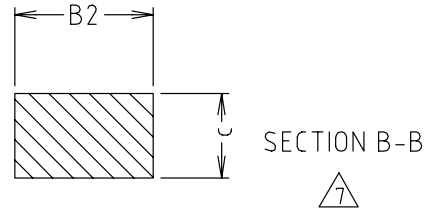
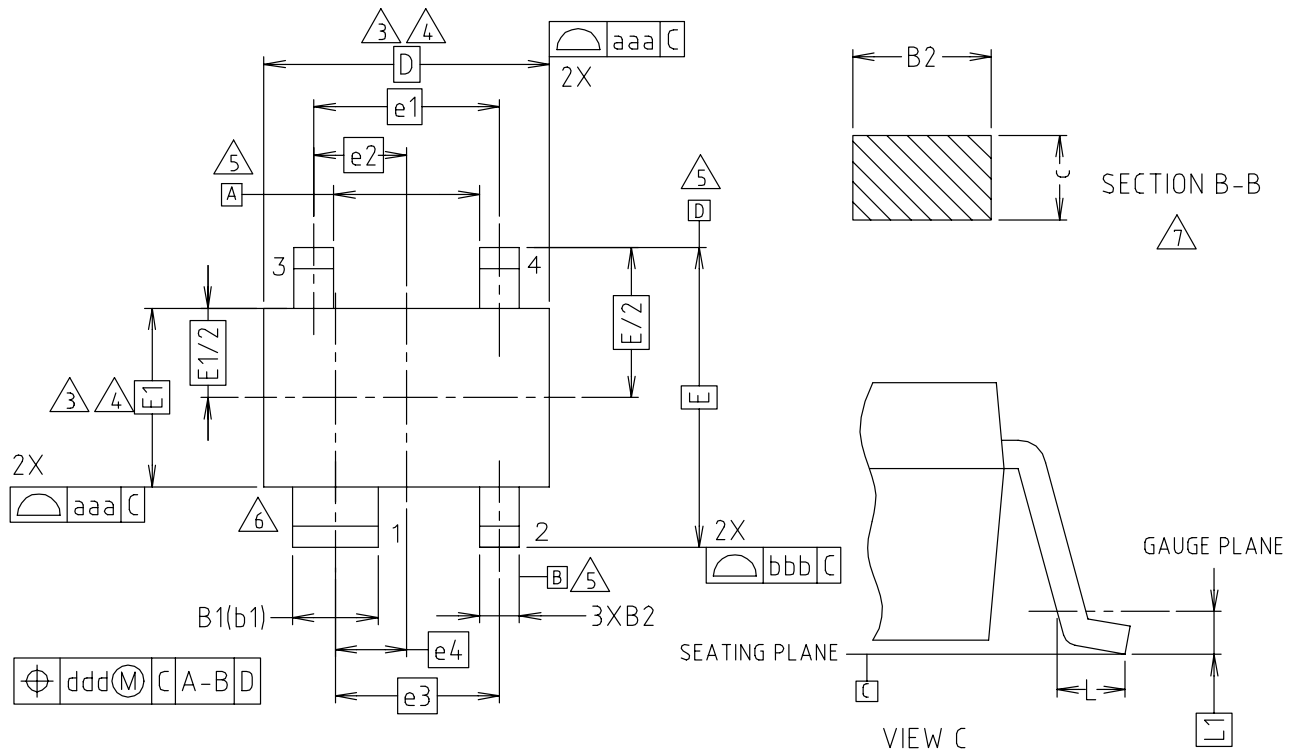
f (MHz)	S <sub>11</sub>		S <sub>21</sub>		S <sub>12</sub>		S <sub>22</sub>	
	S <sub>11</sub>	∠ φ	S <sub>21</sub>	∠ φ	S <sub>12</sub>	∠ φ	S <sub>22</sub>	∠ φ
100	0.768	-10	17.37	163	0.001	5	0.951	-3
200	0.728	-19	16.21	148	0.001	44	0.952	-7
300	0.676	-27	14.75	135	0.002	39	0.953	-11
400	0.621	-33	13.55	124	0.002	44	0.952	-14
500	0.573	-37	12.13	113	0.002	55	0.952	-18
600	0.532	-41	11.07	104	0.003	41	0.951	-22
700	0.498	-43	9.96	96	0.003	36	0.943	-26
800	0.477	-45	9.06	88	0.003	20	0.937	-29
900	0.461	-46	8.36	81	0.002	13	0.930	-33
1000	0.448	-47	7.56	74	0.002	-25	0.925	-37
1100	0.442	-48	6.97	68	0.003	-54	0.914	-41
1200	0.444	-49	6.48	62	0.005	-75	0.903	-45
1300	0.448	-50	5.95	54	0.006	-94	0.895	-49
1400	0.455	-51	5.50	49	0.008	-107	0.883	-52
1500	0.465	-53	5.15	43	0.011	-113	0.875	-56
1600	0.480	-55	4.77	37	0.014	-122	0.860	-60
1700	0.495	-56	4.39	32	0.018	-130	0.847	-63
1800	0.507	-59	4.11	26	0.022	-136	0.834	-67
1900	0.525	-62	3.80	20	0.027	-142	0.821	-71
2000	0.546	-65	3.54	14	0.032	-148	0.799	-74
2100	0.565	-67	3.28	8	0.038	-153	0.785	-78
2200	0.578	-71	3.02	2	0.044	-160	0.763	-82
2300	0.598	-75	2.78	-3	0.051	-163	0.739	-85
2400	0.617	-79	2.57	-9	0.059	-169	0.719	-90
2500	0.633	-82	2.36	-15	0.066	-174	0.690	-94
2600	0.645	-86	2.12	-21	0.073	-179	0.666	-98
2700	0.660	-90	1.96	-27	0.082	176	0.639	-103
2800	0.678	-94	1.76	-33	0.089	171	0.609	-107
2900	0.683	-98	1.59	-39	0.097	165	0.583	-112
3000	0.683	-102	1.42	-44	0.105	162	0.553	-116

**Table 5. Scattering Parameters**  
( $V_{CC} = 5.0\text{ V}$ ,  $50\ \Omega$  System)

f (MHz)	S <sub>11</sub>		S <sub>21</sub>		S <sub>12</sub>		S <sub>22</sub>	
	S <sub>11</sub>	∠ φ	S <sub>21</sub>	∠ φ	S <sub>12</sub>	∠ φ	S <sub>22</sub>	∠ φ
100	0.719	-9	21.47	161	0.001	5	0.939	-3
200	0.678	-17	19.60	145	0.001	18	0.939	-7
300	0.628	-23	17.43	132	0.001	38	0.940	-10
400	0.579	-27	15.66	120	0.002	47	0.937	-14
500	0.540	-30	13.78	110	0.002	38	0.936	-18
600	0.512	-32	12.40	101	0.003	37	0.934	-22
700	0.492	-34	11.05	93	0.002	32	0.927	-26
800	0.480	-34	9.97	86	0.002	9	0.920	-30
900	0.472	-35	9.12	79	0.002	-14	0.914	-34
1000	0.470	-37	8.21	73	0.002	-54	0.908	-38
1100	0.473	-37	7.54	67	0.003	-75	0.899	-42
1200	0.478	-39	6.97	61	0.004	-90	0.890	-46
1300	0.484	-40	6.37	54	0.006	-101	0.884	-50
1400	0.496	-42	5.86	50	0.008	-114	0.875	-54
1500	0.509	-44	5.49	44	0.010	-120	0.871	-57
1600	0.521	-46	5.08	39	0.013	-128	0.858	-60
1700	0.535	-49	4.67	34	0.017	-133	0.848	-63
1800	0.552	-51	4.38	29	0.021	-139	0.838	-67
1900	0.570	-54	4.06	23	0.025	-144	0.829	-70
2000	0.587	-56	3.80	18	0.030	-150	0.807	-73
2100	0.604	-60	3.54	13	0.036	-154	0.795	-76
2200	0.621	-63	3.28	7	0.042	-160	0.772	-79
2300	0.643	-67	3.04	2	0.048	-164	0.746	-83
2400	0.658	-70	2.84	-4	0.056	-169	0.722	-87
2500	0.673	-74	2.61	-10	0.063	-175	0.687	-91
2600	0.690	-78	2.36	-16	0.071	-179	0.657	-96
2700	0.705	-82	2.19	-21	0.079	176	0.623	-101
2800	0.715	-86	1.97	-27	0.088	170	0.588	-107
2900	0.720	-91	1.78	-33	0.094	164	0.556	-113
3000	0.723	-94	1.57	-38	0.101	161	0.523	-119

OUTLINE DIMENSIONS

PLASTIC PACKAGE  
SOT-343R



SYMBOL	MILLIMETERS			NOTE	SYMBOL	TOLERANCES OF FORM AND POSITION	NOTE
	MINIMUM	NOMINAL	MAXIMUM				
A1	0.00	—	0.10		aaa	0.15	
A2	0.80	0.90	1.00		bbb	0.20	
B1	0.55	—	0.70		ccc	0.10	
B2	0.25	—	0.40		ddd	0.10	
c	0.10	—	0.25				
D	2.00 BSC			3,4			
E	2.10 BSC						
E1	1.25 BSC			3,4			
e1	1.30 BSC						
e2	0.65 BSC						
e3	1.15 BSC						
e4	0.50 BSC						
L	0.25	—	—				
L1	0.15 BSC						

NOTE:

1. DIMENSIONS IN MILLIMETERS.


⚠ DIMENSION D DOES NOT INCLUDE MOLD FLASH, PROTRUSIONS OR GATE BURRS. MOLD FLASH, PROTRUSIONS OR GATE BURRS SHALL NOT EXCEED 0.15mm PER END. DIMENSION E1 DOES NOT INCLUDE INTERLEAD FLASH OR PROTRUSION. INTERLEAD FLASH OR PROTRUSION SHALL NOT EXCEED 0.15mm PER SIDE.

⚠ DIMENSIONS D AND E1 ARE DETERMINED AT THE OUTMOST EXTREMES OF THE PLASTIC BODY EXCLUSIVE OF MOLD FLASH, TIE BAR BURRS, GATE BURRS AND INTERLEAD FLASH, BUT INCLUDING ANY MISMATCH BETWEEN THE TOP AND BOTTOM OF THE PLASTIC BODY.

⚠ DATUMS A, B AND D TO BE DETERMINED 0.10mm FROM THE LEAD TIP.

⚠ TERMINAL NUMBERS ARE SHOWN FOR REFERENCE ONLY.

⚠ THESE DIMENSIONS APPLY TO THE FLAT SECTION OF THE LEAD BETWEEN 0.08mm AND 0.15mm FROM THE LEAD TIP.

Motorola reserves the right to make changes without further notice to any products herein. Motorola makes no warranty, representation or guarantee regarding the suitability of its products for any particular purpose, nor does Motorola assume any liability arising out of the application or use of any product or circuit, and specifically disclaims any and all liability, including without limitation consequential or incidental damages. "Typical" parameters which may be provided in Motorola data sheets and/or specifications can and do vary in different applications and actual performance may vary over time. All operating parameters, including "Typicals" must be validated for each customer application by customer's technical experts. Motorola does not convey any license under its patent rights nor the rights of others. Motorola products are not designed, intended, or authorized for use as components in systems intended for surgical implant into the body, or other applications intended to support or sustain life, or for any other application in which the failure of the Motorola product could create a situation where personal injury or death may occur. Should Buyer purchase or use Motorola products for any such unintended or unauthorized application, Buyer shall indemnify and hold Motorola and its officers, employees, subsidiaries, affiliates, and distributors harmless against all claims, costs, damages, and expenses, and reasonable attorney fees arising out of, directly or indirectly, any claim of personal injury or death associated with such unintended or unauthorized use, even if such claim alleges that Motorola was negligent regarding the design or manufacture of the part. Motorola, Inc. Motorola, Inc. is an Equal Opportunity/Affirmative Action Employer. MOTOROLA and the  logo are registered in the US Patent & Trademark Office. All other product or service names are the property of their respective owners.

© Motorola, Inc. 2002

**How to reach us:**

**USA/EUROPE/Locations Not Listed:** Motorola Literature Distribution;  
P.O. Box 5405, Denver, Colorado 80217. 1-303-675-2140 or 1-800-441-2447

**JAPAN:** Motorola Japan Ltd.; SPS, Technical Information Center, 3-20-1,  
Minami-Azabu, Minato-ku, Tokyo 106-8573 Japan. 81-3-3440-3569

**Technical Information Center: 1-800-521-6274**

**ASIA/PACIFIC:** Motorola Semiconductors H.K. Ltd.; Silicon Harbour Centre,  
2, Dai King Street, Tai Po Industrial Estate, Tai Po, N.T., Hong Kong.  
852-26668334

**HOME PAGE:** <http://www.motorola.com/semiconductors/>



**MOTOROLA**

**For More Information On This Product,  
Go to: [www.freescale.com](http://www.freescale.com)**

MBC13916/D