

## 4-BIT SINGLE-CHIP MICROCONTROLLER FOR SMALL GENERAL-PURPOSE INFRARED REMOTE CONTROLLER

### DESCRIPTION

The  $\mu$ PD17P228 is a model of the  $\mu$ PD17228 with a one-time PROM instead of an internal mask ROM.

Since the user can write programs to the  $\mu$ PD17P228, it is ideal for experimental production or small-scale production of the  $\mu$ PD17225, 17226, 17227 or 17228 systems.

When reading this document, also read the documents related to the  $\mu$ PD17225, 17226, 17227 and 17228.

**Detailed functions are described in the following user's manual. Read this manual when designing your system.**

$\mu$ PD172 $\times$  $\times$  Series User's Manual: U12795E

### FEATURES

- Pin compatible with  $\mu$ PD17225, 17226, 17227 and 17228 (except PROM programming function)
- Carrier generator circuit for infrared remote controller (REM output)
- 17K architecture: General-purpose register method
- Program memory (one-time PROM): 16 Kbytes (8192  $\times$  16)
- Data memory (RAM): 223  $\times$  4 bits
- Pull-up resistor can be connected to  $\overline{\text{RESET}}$  pin
- Low-voltage detection circuit ( $\overline{\text{WDOUT}}$  output)
- Supply voltage:  $V_{\text{DD}} = 2.2$  to 3.6 V (fx = 4 MHz: high-speed mode, 4  $\mu$ s)  
 $V_{\text{DD}} = 3.0$  to 3.6 V (fx = 8 MHz: high-speed mode, 2  $\mu$ s)

### APPLICATIONS

Preset remote controllers, toys, and portable systems

### ORDERING INFORMATION

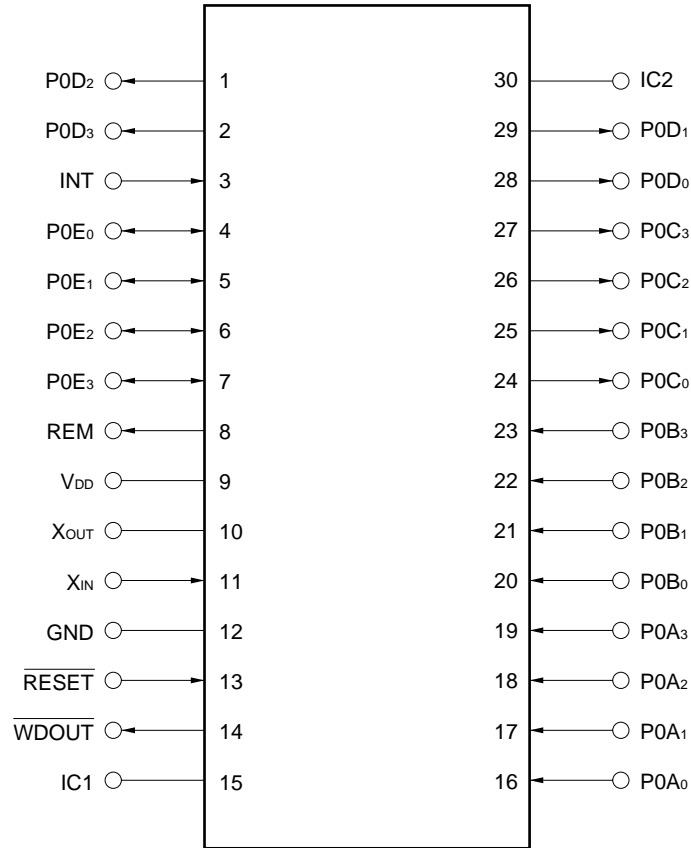
Part Number	Package
$\mu$ PD17P228MC-5A4	30-pin plastic SSOP (7.62 mm (300))

The information in this document is subject to change without notice. Before using this document, please confirm that this is the latest version.  
Not all devices/types available in every country. Please check with local NEC representative for availability and additional information.

**PIN CONFIGURATION (TOP VIEW)**

- 30-pin plastic SSOP (7.62 mm (300))  
μPD17P228MC-5A4

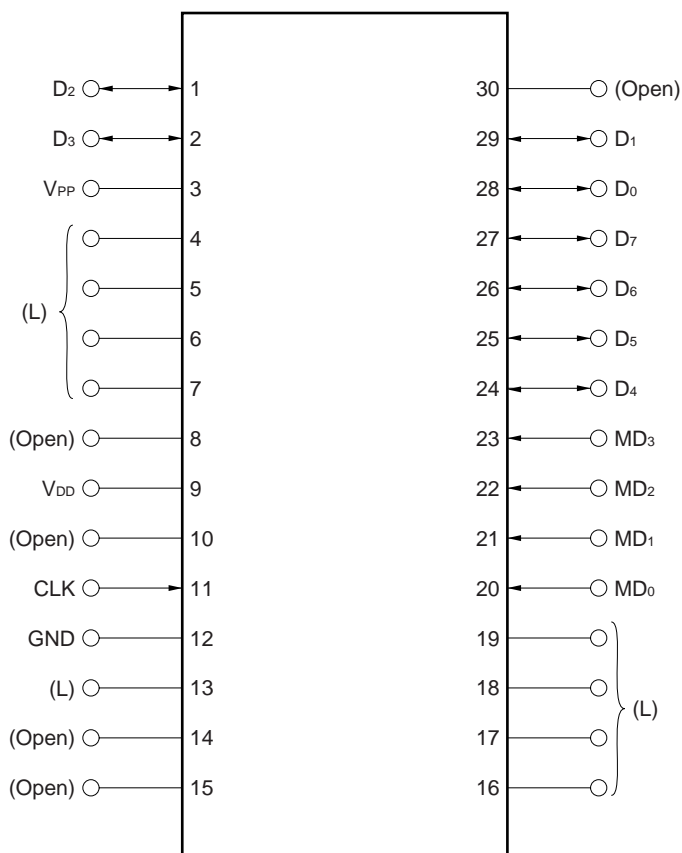
**(1) Normal oprating mode**



- GND : Ground
- IC1, IC2 : Internally connected<sup>Note</sup>
- INT : External interrupt request signal input
- P0A0-P0A3 : Input port (CMOS input)
- P0B0-P0B3 : Input port (CMOS input)
- P0C0-P0C3 : Output port (N-ch open-drain output)
- P0D0-P0D3 : Output port (N-ch open-drain output)
- P0E0-P0E3 : I/O port (CMOS push-pull output)
- REM : Remote controller output (CMOS push-pull output)
- RESET : Reset input
- VDD : Power supply
- WDOUT : Hang-up/low voltage detection output (N-ch open-drain output)
- XIN, XOUT : Resonator connection

**Note** This pin cannot be used. Leave unconnected.

(2) PROM programming mode



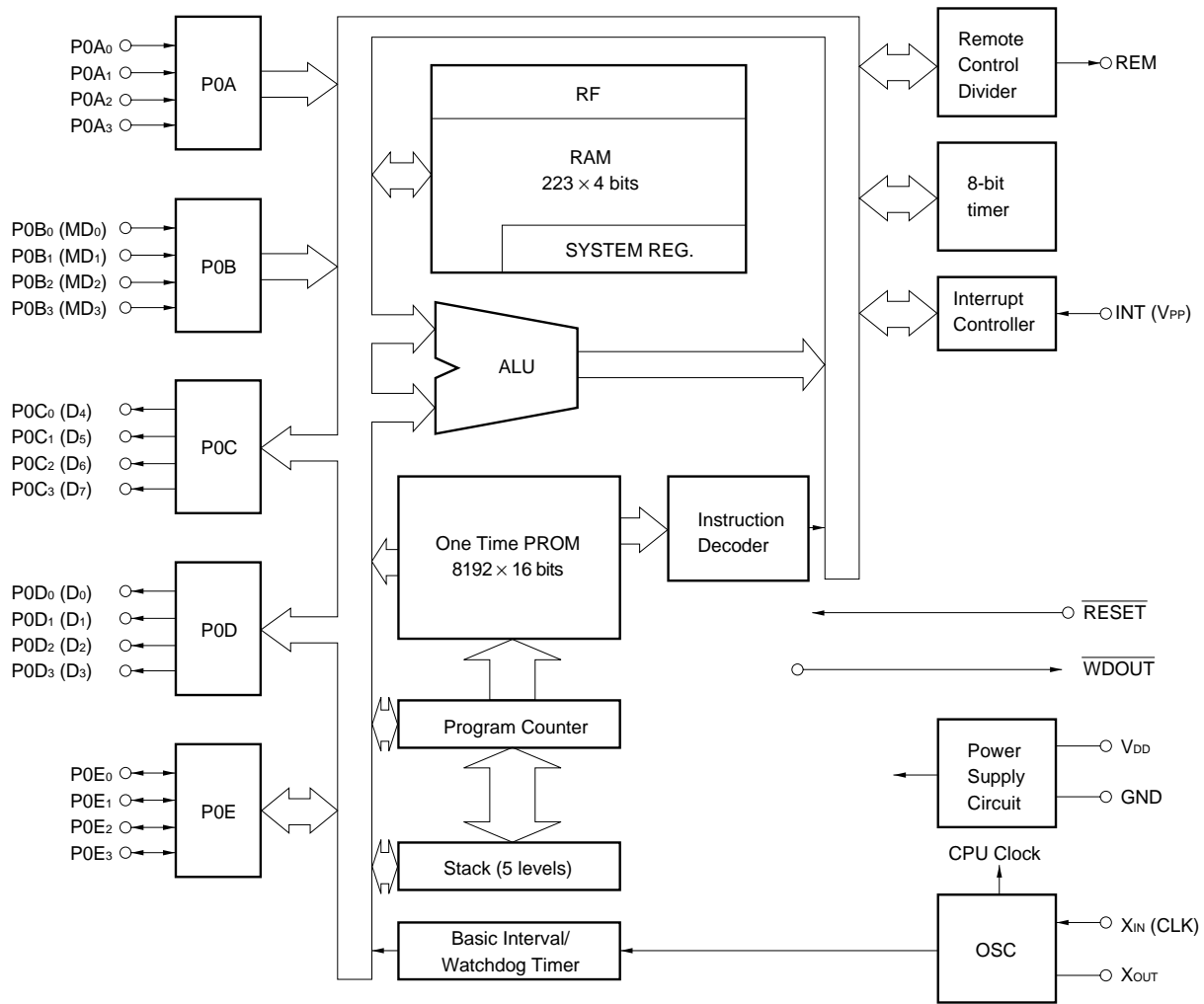
**Caution** Contents in parentheses indicate how to handle unused pins in PROM programming mode.

**L** :Connect to GND via a resistor (470 Ω) separately.

**OPEN**:Leave unconnected.

- CLK : Clock input for PROM
- D<sub>0</sub> - D<sub>7</sub> : Data input/output for PROM
- GND : Ground
- MD<sub>0</sub> - MD<sub>3</sub> : Mode select input for PROM
- V<sub>DD</sub> : Power supply
- V<sub>PP</sub> : Power supply for PROM writing

**BLOCK DIAGRAM**



**Remark** ( ): during PROM programming mode

**CONTENTS**

<b>1. DIFFERENCES AMONG μPD17225, 17226, 17227, 17228 AND μPD17P228 .....</b>	<b>6</b>
<b>2. PIN FUNCTIONS .....</b>	<b>7</b>
2.1 Normal Operation Mode .....	7
2.2 PROM Programming Mode .....	8
2.3 Input/Output Circuits .....	9
2.4 Processing of Unused Pins .....	10
2.5 Notes on Using the <u>RESET</u> and INT Pins .....	10
<b>3. WRITING AND VERIFYING ONE-TIME PROM (PROGRAM MEMORY) .....</b>	<b>11</b>
3.1 Operating Mode When Writing/Verifying Program Memory .....	11
3.2 Program Memory Writing Procedure .....	12
3.3 Program Memory Reading Procedure .....	13
<b>4. ELECTRICAL SPECIFICATIONS .....</b>	<b>14</b>
<b>5. PACKAGE DRAWING .....</b>	<b>21</b>
<b>6. RECOMMENDED SOLDERING CONDITIONS .....</b>	<b>22</b>
<b>APPENDIX. DEVELOPMENT TOOLS .....</b>	<b>23</b>

1. DIFFERENCES AMONG μPD17225, 17226, 17227, 17228 AND μPD17P228

μPD17P228 is equipped with PROM to which data can be written by the user instead of the internal mask ROM (program memory) of the μPD17228.

Table 1-1 shows the differences between the μPD17225, 17226, 17227, 17228 and μPD17P228.

The differences among these five models are the program memory and mask option, and their CPU functions and internal hardware are identical. Therefore, the μPD17P228 can be used to evaluate the program developed for the μPD17225, 17226, 17227, and 17228 system. **Note, however, that some of the electrical specifications such as supply current and low-voltage detection voltage of the μPD17P228 are different from those of the μPD17225, 17226, 17227, and 17228.**

Table 1-1. Differences among μPD17225, 17226, 17227, 17228 and μPD17P228

Item	Product Name	μPD17P228	μPD17225	μPD17226	μPD17227	μPD17228
Program memory		One-time PROM	Mask ROM			
		16 K bytes (8192 × 16) (0000H-1FFFH)	4 K bytes (2048 × 16) (0000H-07FFFH)	8 K bytes (4096 × 16) (0000H-0FFFFH)	12 K bytes (6144 × 16) (0000H-17FFFH)	16 K bytes (8192 × 16) (0000H-1FFFH)
Data memory		223 × 4 bits	111 × 4 bits		223 × 4 bits	
Pull-up resistor of RESET Pin		Provided	Any (mask option)			
Low-voltage detector circuit <sup>Note</sup>		Provided	Any (mask option)			
V <sub>PP</sub> pin, operation mode select pin		Provided	Not provided			
Instruction execution time (tcy)		2 μs (V <sub>DD</sub> = 3.0 to 3.6 V) 4 μs (V <sub>DD</sub> = 2.2 to 3.6 V) 16 μs (V <sub>DD</sub> = 2.2 to 3.6 V)	2 μs (V <sub>DD</sub> = 2.2 to 3.6 V) 4 μs (V <sub>DD</sub> = 2.0 to 3.6 V)			
Operation when P0C, P0D are standby		Retain output level immediately before standby mode				
Supply voltage		V <sub>DD</sub> = 2.0 to 3.6 V	V <sub>DD</sub> = 2.0 to 3.6 V			
Package		30-pin plastic SSOP (7.62 mm (300))	<ul style="list-style-type: none"> <li>• 28-pin plastic SOP (9.53 mm (375))</li> <li>• 28-pin plastic SDIP (10.16 mm (400))</li> <li>• 30-pin plastic SSOP (7.62 mm (300))</li> </ul>			

**Note** Although the circuit configuration is identical, its electrical characteristics differ depending on the product.

## 2. PIN FUNCTIONS

### 2.1 Normal Operation Mode

Pin No.	Symbol	Function	Output Format	At Reset
16 17 18 19	P0A <sub>0</sub> P0A <sub>1</sub> P0A <sub>2</sub> P0A <sub>3</sub>	4-bit CMOS input port with pull-up resistor. Can be used for key return input of key matrix. When at least one of these pins goes low, standby function is released.	–	Input
20 21 22 23	P0B <sub>0</sub> P0B <sub>1</sub> P0B <sub>2</sub> P0B <sub>3</sub>	4-bit CMOS input port with pull-up resistor. Can be used for key return input of key matrix. When at least one of these pins goes low, standby function is released.	–	Input
24 25 26 27	P0C <sub>0</sub> P0C <sub>1</sub> P0C <sub>2</sub> P0C <sub>3</sub>	4-bit N-ch open-drain output port. Can be used for key source output of key matrix.	N-ch open-drain	Low-level output
28 29 1 2	P0D <sub>0</sub> P0D <sub>1</sub> P0D <sub>2</sub> P0D <sub>3</sub>	4-bit N-ch open-drain output port. Can be used for key source output of key matrix.	N-ch open-drain	Low-level output
4 5 6 7	P0E <sub>0</sub> P0E <sub>1</sub> P0E <sub>2</sub> P0E <sub>3</sub>	4-bit input/output port. Can be set in input or output mode in 1-bit units. In output mode, this port functions as a high current CMOS output port. In input mode, function as CMOS input and can be specified to connect pull-up resistor by program.	CMOS push-pull	Input
8	REM	Outputs transfer signal for infrared remote controller. Active-high output.	CMOS push-pull	Low-level output
13	$\overline{\text{RESET}}$	System reset input. CPU can be reset when low-level signal is input to this pin. While low-level signal is input, oscillator is stopped. This pin connected to pull-up resistor by mask option.	–	Input
9	V <sub>DD</sub>	Power supply	–	–
12	GND	Ground	–	–
3	INT	External interrupt request signal input	–	Input
14	$\overline{\text{WDOUT}}$	Output detecting hang-up and drop in supply voltage. This pin outputs at low level either when an overflow occurs in the watch-dog timer, when an overflow/underflow occurs in the stack, or when the supply voltage drops below a specified level. Connect this pin to the $\overline{\text{RESET}}$ pin.	N-ch open-drain	High-impedance Low-level output at low voltage detection
11 10	X <sub>IN</sub> X <sub>OUT</sub>	Connects ceramic resonator for system clock oscillation	–	(Oscillation stops)
15 30	IC1 IC2	These pins cannot be used. Leave open.	–	–

**2.2 PROM Programming Mode**

Pin No.	Symbol	Function	Output Format	At Reset
3	V <sub>PP</sub>	Power supply for PROM programming. Apply +12.5 V to this pin as the program voltage when writing/ verifying program memory.	–	–
9	V <sub>DD</sub>	Power supply. Apply +6 V to this pin when writing/verifying program memory.	–	–
11	CLK	Inputs clock for PROM programming.	–	–
12	GND	Ground.	–	–
20   23	MD <sub>0</sub>   MD <sub>3</sub>	Input pins used to select operation mode when PROM is programmed.	–	Input
24   27 28 29 1 2	D <sub>4</sub>   D <sub>7</sub> D <sub>0</sub> D <sub>1</sub> D <sub>2</sub> D <sub>3</sub>	Input/output 8-bit data for PROM programming	CMOS push-pull	Input

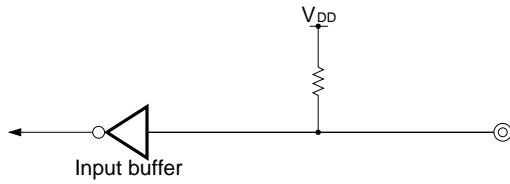
**Remark** The other pins are not used in the PROM programming mode. How to handle the other opins are described in the section **PIN CONFIGURATION (2) PROM programming mode**.



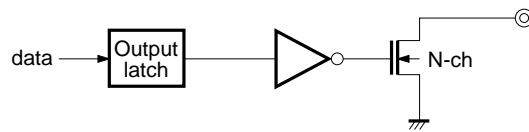
### 2.3 Input/Output Circuits

The equivalent input/output circuit for each μPD17P228 pin is shown below.

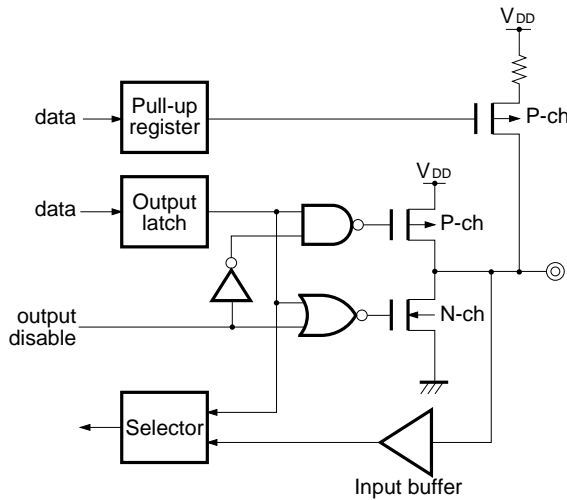
(1) P0A, P0B



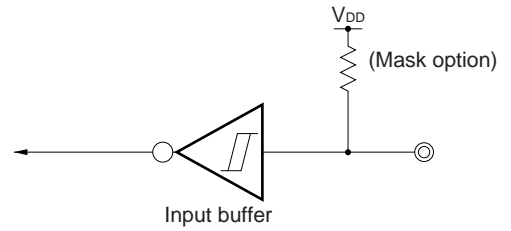
(2) P0C, P0D



(3) P0E

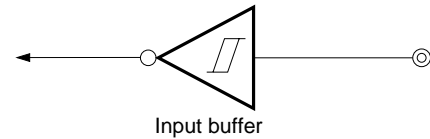


(4) RESET



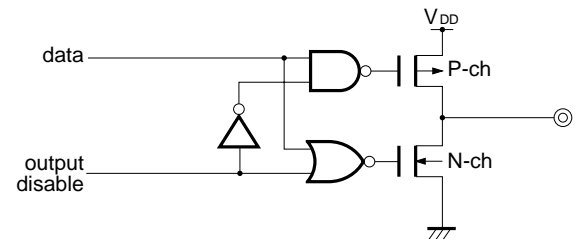
Schmitt trigger input with hysteresis characteristics

(5) INT

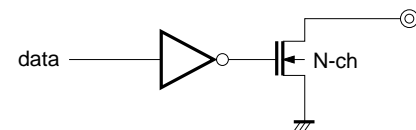


Schmitt trigger input with hysteresis characteristics

(6) REM



(7) WDOUT



## 2.4 Processing of Unused Pins

Process the unused pins as follows:

**Table 2-1. Processing of Unused Pins**

Pin	Recommended Connection
P0A <sub>0</sub> -P0A <sub>3</sub>	Connect to V <sub>DD</sub> .
P0B <sub>0</sub> -P0B <sub>3</sub>	Connect to V <sub>DD</sub> .
P0C <sub>0</sub> -P0C <sub>3</sub>	Connect to GND.
P0D <sub>0</sub> -P0D <sub>3</sub>	Connect to GND.
P0E <sub>0</sub> -P0E <sub>3</sub>	Input : Individually connect to V <sub>DD</sub> or GND via resistor. Output : Leave open.
REM	Leave open.
INT	Connect to GND.
$\overline{\text{WDOUT}}$	Connect to V <sub>DD</sub> via resistor.
IC1, IC2	These pins cannot be used. Leave open.

## 2.5 Notes on Using the $\overline{\text{RESET}}$ and INT Pins

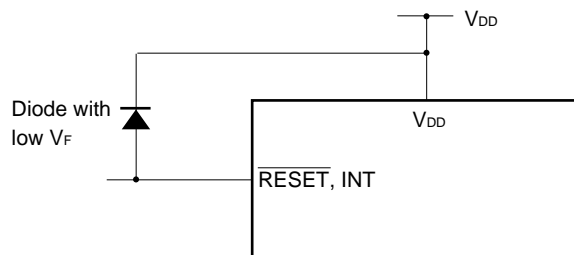
In addition to the functions shown in **2. PIN FUNCTION**, the  $\overline{\text{RESET}}$  pin also has the function of setting a test mode (for IC testing) in which the internal operations of the μPD17P228 are tested.

When a voltage higher than V<sub>DD</sub> is applied to either of these pins, the test mode is set. This means that, even during normal operation, the μPD17P228 may be set in the test mode if noise exceeding V<sub>DD</sub> is applied.

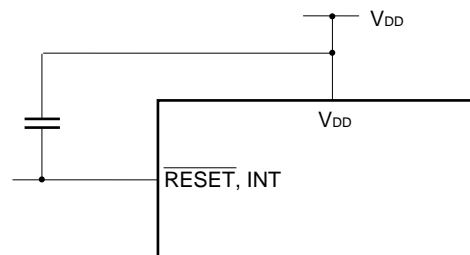
For example, if the wiring length of the  $\overline{\text{RESET}}$  or INT pin is too long, noise superimposed on the wiring line of the pin may cause the above problem.

Therefore, keep the wiring length of these pins as short as possible to suppress the noise; otherwise, take noise preventive measures as shown below by using external components.

- Connect diode with low V<sub>F</sub> between V<sub>DD</sub> and  $\overline{\text{RESET}}$ /INT pin



- Connect capacitor between V<sub>DD</sub> and  $\overline{\text{RESET}}$ /INT pin



Connect the  $\overline{\text{WDOUT}}$  and  $\overline{\text{RESET}}$  pins since a low level is output after the test mode is set using the INT pin.

### 3. WRITING AND VERIFYING ONE-TIME PROM (PROGRAM MEMORY)

The program memory of the μPD17P228 is a one-time PROM of 8192 × 16 bits.

To write or verify this one-time PROM, the pins shown in Table 3-1 are used. Note that no address input pin is used. Instead, the address is updated by using the clock input from the CLK pin.

**Table 3-1. Pins Used to Write/Verify Program Memory**

Pin Name	Function
V <sub>PP</sub>	Supplies voltage when writing/verifying program memory. Apply +12.5 V to this pin.
V <sub>DD</sub>	Power supply. Supply +6 V to this pin when writing/verifying program memory.
CLK	Inputs clock to update address when writing/verifying program memory. By inputting pulse four times to CLK pin, address of program memory is updated.
MD <sub>0</sub> -MD <sub>3</sub>	Input to select operation mode when writing/verifying program memory.
D <sub>0</sub> -D <sub>7</sub>	Inputs/outputs 8-bit data when writing/verifying program memory.

#### 3.1 Operating Mode When Writing/Verifying Program Memory

The μPD17P228 is set in the program memory write/verify mode when +6 V is applied to the V<sub>DD</sub> pin and +12.5 V is applied to the V<sub>PP</sub> pin after the μPD17P228 has been in the reset status (V<sub>DD</sub> = 5 V,  $\overline{\text{RESET}} = 0 \text{ V}$ ) for a specific time. In this mode, the operating modes shown in Table 3-2 can be set by setting the MD<sub>0</sub> through MD<sub>3</sub> pins. Leave all the pins other than those shown in Table 3-1 unconnected or connect them to GND via pull-down resistor (470 Ω). (Refer to **PIN CONNECTION (2) PROM programming mode.**)

**Table 3-2. Setting Operation Mode**

Setting of Operating Mode						Operating Mode
V <sub>PP</sub>	V <sub>DD</sub>	MD <sub>0</sub>	MD <sub>1</sub>	MD <sub>2</sub>	MD <sub>3</sub>	
+12.5 V	+6 V	H	L	H	L	Program memory address 0 clear mode
		L	H	H	H	Write mode
		L	L	H	H	Verify mode
		H	×	H	H	Program inhibit mode

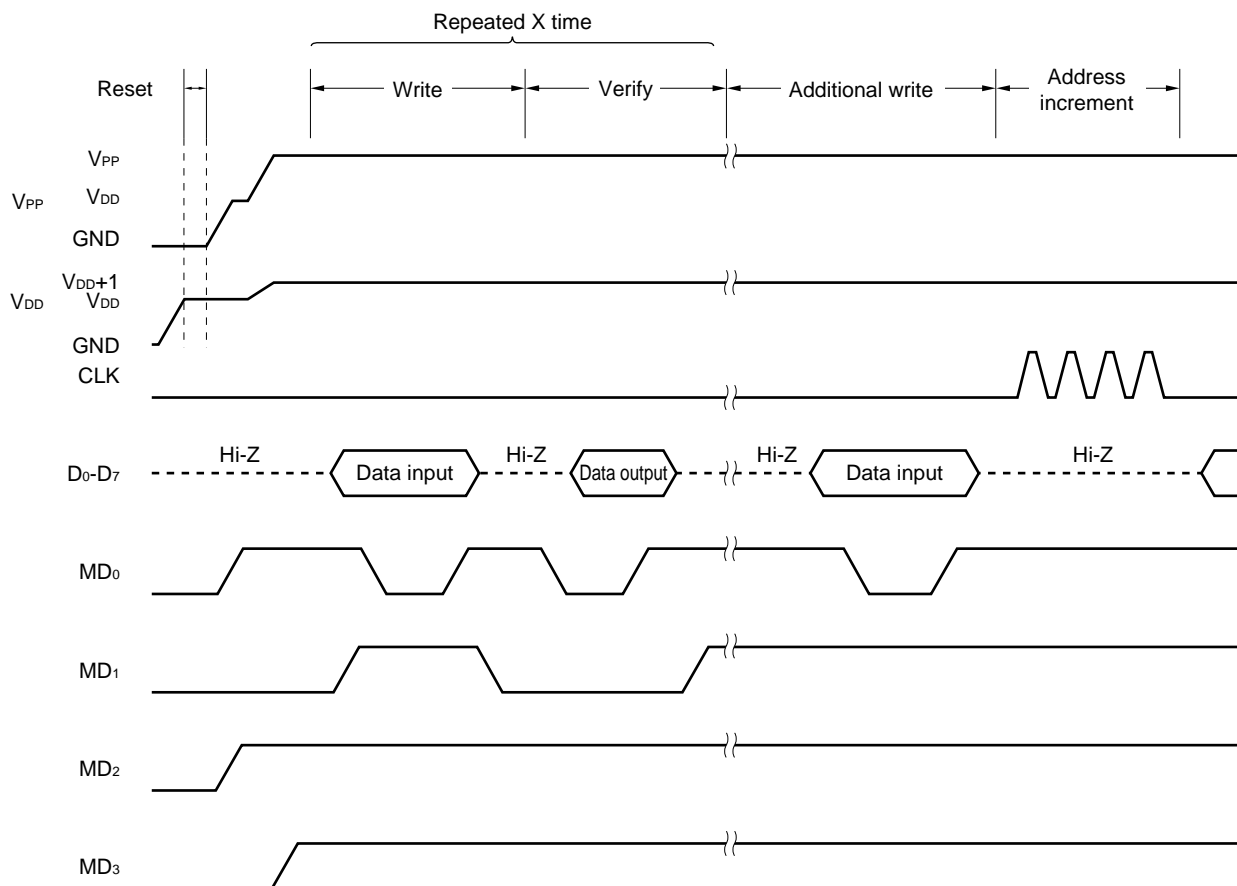
×: don't care (L or H)

### 3.2 Program Memory Writing Procedure

The program memory is written at high speed in the following procedure.

- (1) Pull down the pins not used to GND via resistor. Keep the CLK pin low.
- (2) Supply 5 V to the V<sub>DD</sub> pin. Keep the V<sub>PP</sub> pin low.
- (3) Supply 5 V to the V<sub>PP</sub> pin after waiting for 10 μs.
- (4) Set the program memory address 0 clear mode by using the mode setting pins.
- (5) Supply +6 V to V<sub>DD</sub> and +12.5 V to V<sub>PP</sub>.
- (6) Set the program inhibit mode.
- (7) Write data to the program memory in the 1-ms write mode.
- (8) Set the program inhibit mode.
- (9) Set the verify mode. If the data have been written to the program memory, proceed to (10). If not, repeat steps (7) through (9).
- (10) Additional writing of (number of times of writing in (7) through (9): X) × 1 ms.
- (11) Set the program inhibit mode.
- (12) Input a pulse to the CLK pin four times to update the program memory address (+1).
- (13) Repeat steps (7) through (12) up to the last address.
- (14) Set the 0 clear mode of the program memory address.
- (15) Change the voltages on the V<sub>DD</sub> and V<sub>PP</sub> pins to 5 V.
- (16) Turn off power.

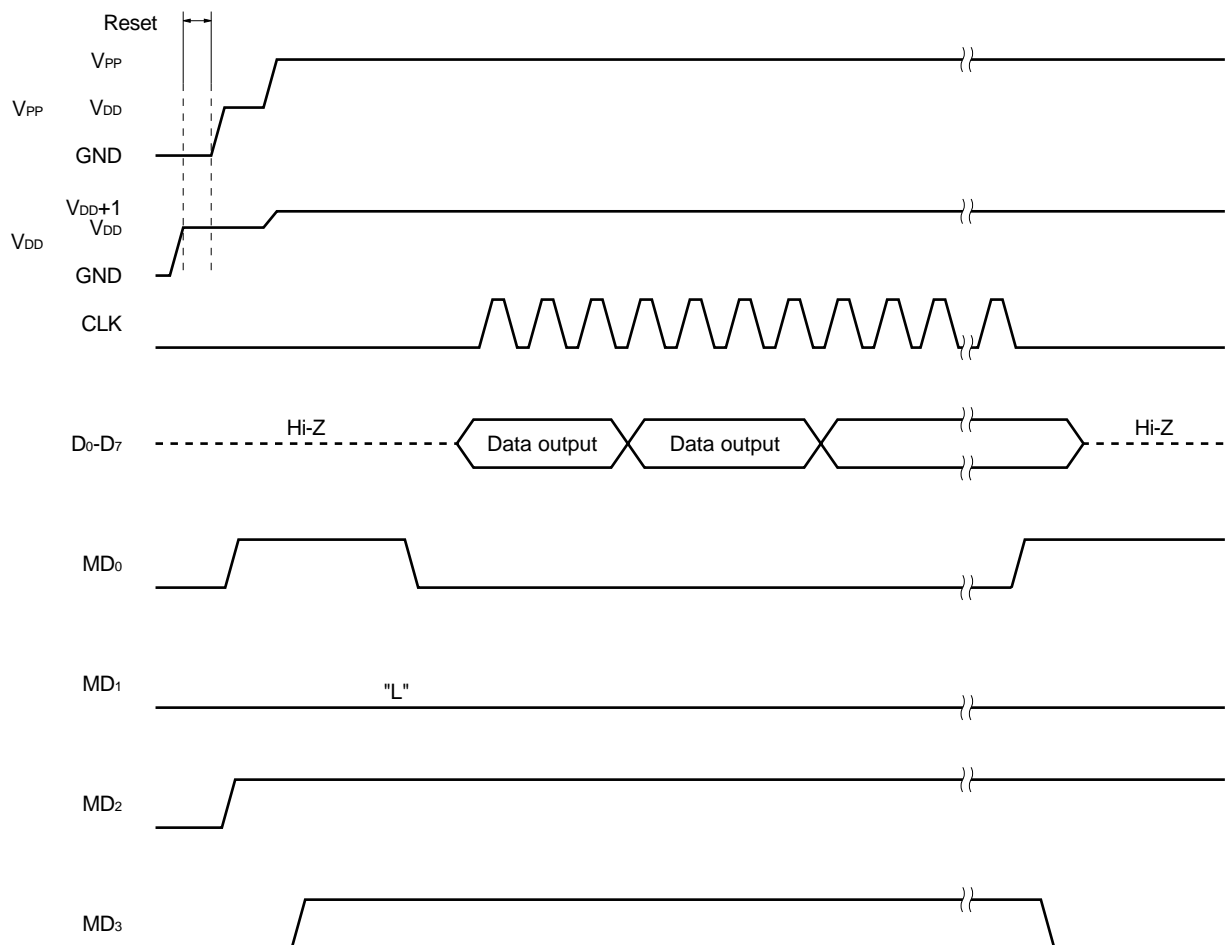
The following figure illustrates steps (2) through (12) above.



### 3.3 Program Memory Reading Procedure

- (1) Pull down the pins not used to GND via resistor. Keep the CLK pin low.
- (2) Supply 5 V to the V<sub>DD</sub> pin. Keep the V<sub>PP</sub> pin low.
- (3) Supply 5 V to the V<sub>PP</sub> pin after waiting for 10 μs.
- (4) Set the program memory address 0 clear mode by using the mode setting pins.
- (5) Supply +6 V to V<sub>DD</sub> and +12.5 V to V<sub>PP</sub>.
- (6) Set the program inhibit mode.
- (7) Set the verify mode. Data of each address is output sequentially each time the clock pulse is input to the CLK pin four times.
- (8) Set the program inhibit mode.
- (9) Set the program memory address 0 clear mode.
- (10) Change the voltage on the V<sub>DD</sub> and V<sub>PP</sub> pins to 5 V.
- (11) Turn off power.

The following figure illustrates steps (2) through (9) above.



4. ELECTRICAL SPECIFICATIONS

Absolute Maximum Ratings (T<sub>A</sub> = 25°C)

Item	Symbol	Conditions		Ratings	Unit
Supply voltage	V <sub>DD</sub>			-0.3 to +7.0	V
PROM power supply	V <sub>PP</sub>			-0.3 to +13.5	V
Input voltage	V <sub>I</sub>			-0.3 to V <sub>DD</sub> + 0.3	V
Output voltage	V <sub>O</sub>			-0.3 to V <sub>DD</sub> + 0.3	V
High-level output current <sup>Note</sup>	I <sub>OH</sub>	REM pin	Peak value	-36.0	mA
			rms value	-24.0	mA
		1 pin (P0E pin)	Peak value	-7.5	mA
			rms value	-5.0	mA
		Total of P0E pins	Peak value	-22.5	mA
			rms value	-15.0	mA
Low-level output current <sup>Note</sup>	I <sub>OL</sub>	1 pin (P0C, P0D, P0E, REM or WDOU $\bar{T}$ pin)	Peak value	7.5	mA
			rms value	5.0	mA
		Total of P0C, P0D, WDOU $\bar{T}$ pins	Peak value	22.5	mA
			rms value	15.0	mA
		Total of P0E pins	Peak value	30.0	mA
			rms value	20.0	mA
Operating temperature	T <sub>A</sub>			-40 to +85	°C
Storage temperature	T <sub>stg</sub>			-65 to +150	°C
Power dissipation	P <sub>d</sub>	T <sub>A</sub> = 85°C		180	mW

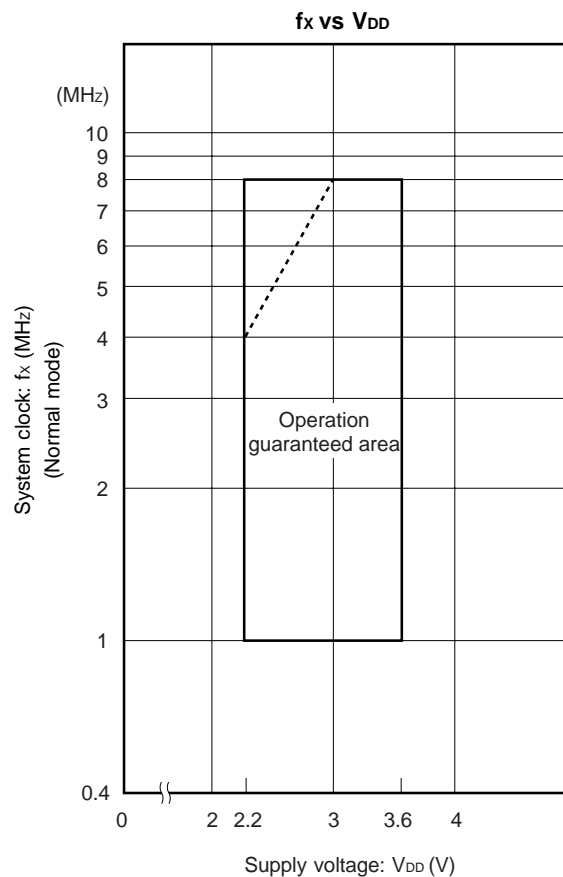
**Note** Calculate rms value by this expression: [rms value] = [Peak value] × √Duty

**Caution** Even if one of the parameters exceeds its absolute maximum rating even momentarily, the quality of the product may be degraded. The absolute maximum rating therefore specifies the upper or lower limit of the value at which the product can be used without physical damages. Be sure not to exceed or fall below this value when using the product.

**Recommended Operating Ranges (T<sub>A</sub> = -40 to +85°C, V<sub>DD</sub> = 2.2 to 3.6 V)**

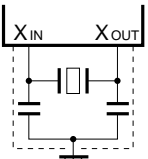
Item	Symbol	Conditions		MIN.	TYP.	MAX.	Unit
Supply voltage	V <sub>DD1</sub>	f <sub>x</sub> = 1 MHz	High-speed mode (Instruction execution time: 16 μs)	2.2		3.6	V
	V <sub>DD2</sub>	f <sub>x</sub> = 4 MHz	Ordinary mode (Instruction execution time: 4 μs)				
	V <sub>DD3</sub>	f <sub>x</sub> = 8 MHz	High-speed mode (Instruction execution time: 4 μs)				
	V <sub>DD4</sub>		High-speed mode (Instruction execution time: 2 μs)	3.0	3.6	V	
Oscillation frequency	f <sub>x</sub>			1.0	4.0	8.0	MHz
Operating temperature	T <sub>A</sub>			-40	+25	+85	°C
Low-voltage detector circuit <sup>Note</sup>	T <sub>CY</sub>			4		32	μs

**Note** Reset if the status of V<sub>DD</sub> = 2.05 V (TYP.) lasts for 1 ms or longer. Program hang-up does not occur even if the voltage drops, until the reset function is effected (when the RESET pin and WDO<sub>UT</sub> pin are connected). Some oscillators stop oscillating before the reset function is effected.



**Remark** The region indicated by the broken line in the above figure is the guaranteed operating range in the high-speed mode.

**System Clock Oscillator Characteristics (T<sub>A</sub> = -40 to +85°C, V<sub>DD</sub> = 2.2 to 3.6 V)**

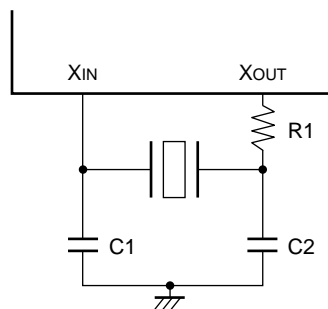
Resonator	Recommended Constants	Item	Conditions	MIN.	TYP.	MAX.	Unit
Ceramic resonator		Oscillation frequency (f <sub>x</sub> ) <sup>Note 1</sup>		1.0	4.0	8.0	MHz
		Oscillation stabilization time <sup>Note 2</sup>	After V <sub>DD</sub> reached MIN. in oscillation voltage range			4	ms

- Notes**
1. The oscillation frequency only indicates the oscillator characteristics.
  2. The oscillation stabilization time is necessary for oscillation to be stabilized, after V<sub>DD</sub> application or STOP mode release.

**Caution** To use a system clock oscillator circuit, perform the wiring in the area enclosed by the dotted line in the above figure as follows, to avoid adverse wiring capacitance influences:

- Keep wiring length as short as possible.
- Do not cross a signal line with some other signal lines. Do not route the wiring in the vicinity of lines through which a large current flows.
- Always keep the oscillator capacitor ground at the same potential as GND. Do not ground the capacitor to a ground pattern, through which a large current flows.
- Do not extract signals from the oscillator.

**External circuit example**



**Remark** To select a resonator and determine oscillator constants, please evaluate the oscillation yourself or request the resonator manufacturer to evaluate it.



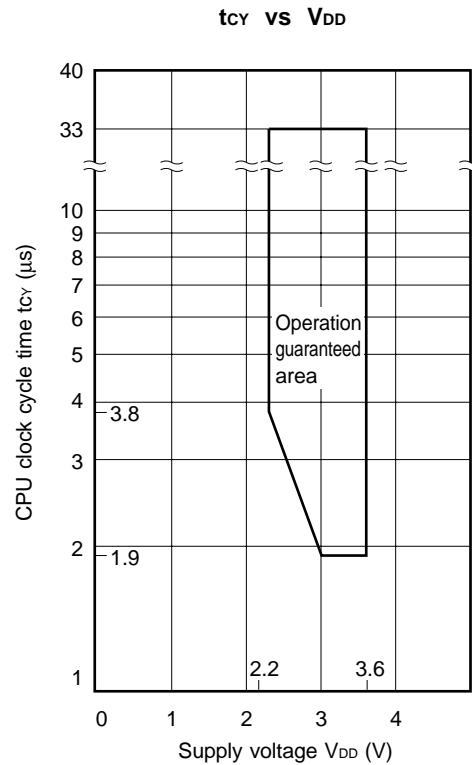
DC Characteristics ( $T_A = -40$  to  $+85^\circ\text{C}$ ,  $V_{DD} = 2.2$  to  $3.6$  V)

Item	Symbol	Conditions		MIN.	TYP.	MAX.	Unit
High-level input voltage	$V_{IH1}$	$\overline{\text{RESET}}$ , INT		$0.8V_{DD}$		$V_{DD}$	V
	$V_{IH2}$	P0A, P0B		$0.7V_{DD}$		$V_{DD}$	V
	$V_{IH3}$	P0E		$0.8V_{DD}$		$V_{DD}$	V
Low-level input voltage	$V_{IL1}$	$\overline{\text{RESET}}$ , INT		0		$0.2V_{DD}$	V
	$V_{IL2}$	P0A, P0B		0		$0.3V_{DD}$	V
	$V_{IL3}$	P0E		0		$0.35V_{DD}$	V
High-level input leakage current	$I_{LIH}$	P0A, P0B, P0E, $\overline{\text{RESET}}$ , INT	$V_{IH} = V_{DD}$			3	$\mu\text{A}$
Low-level input leakage current	$I_{LIL1}$	INT	$V_{IL} = 0$ V			-3	$\mu\text{A}$
	$I_{LIL2}$	P0E	$V_{IL} = 0$ V w/o pull-up resistor			-3	$\mu\text{A}$
High-level output leakage current	$I_{LOH}$	P0C, P0D, P0E, $\overline{\text{WDOU}}\overline{\text{T}}$	$V_{OH} = V_{DD}$			3	$\mu\text{A}$
Low-level output leakage current	$I_{LOL}$	P0E, $\overline{\text{WDOU}}\overline{\text{T}}$	$V_{OL} = 0$ V w/o pull-up resistor			-3	$\mu\text{A}$
Internal pull-up resistor	R1	P0E, $\overline{\text{RESET}}$		25	50	100	k $\Omega$
	R2	P0A, P0B		100	200	400	k $\Omega$
High-level output current	$I_{OH1}$	REM	$V_{OH} = 1.0$ V, $V_{DD} = 3$ V	-6	-13	-24	mA
High-level output voltage	$V_{OH}$	P0E, REM	$I_{OH} = -0.5$ mA	$V_{DD}-0.3$		$V_{DD}$	V
Low-level output voltage	$V_{OL1}$	P0C, P0D, REM, $\overline{\text{WDOU}}\overline{\text{T}}$	$I_{OL} = 0.5$ mA	0		0.3	V
	$V_{OL2}$	P0E	$I_{OL} = 1.5$ mA	0		0.3	V
Low-voltage detector circuit	$V_{DT}$	$\overline{\text{WDOU}}\overline{\text{T}} = \text{low level}$	$V_{DT} = V_{DD}$		2.05	2.2	V
Data retention voltage	$V_{DDDR}$	$\overline{\text{RESET}} = \text{low level or STOP mode}$		1.3		3.6	V
Supply current	$I_{DD1}$	Operating mode (high-speed)	$V_{DD} = 3$ V $\pm$ 10%	$f_x = 1$ MHz	0.55	1.1	mA
				$f_x = 4$ MHz	1.0	2.0	mA
				$f_x = 8$ MHz	1.3	2.6	mA
	$I_{DD2}$	Operating mode (low-speed)	$V_{DD} = 3$ V $\pm$ 10%	$f_x = 1$ MHz	0.5	1.0	mA
				$f_x = 4$ MHz	0.75	1.5	mA
				$f_x = 8$ MHz	0.9	1.8	mA
	$I_{DD3}$	HALT mode	$V_{DD} = 3$ V $\pm$ 10%	$f_x = 1$ MHz	0.4	0.8	mA
				$f_x = 4$ MHz	0.5	1.0	mA
				$f_x = 8$ MHz	0.6	1.2	mA
	$I_{DD4}$	STOP mode	$V_{DD} = 3$ V $\pm$ 10%		2.0	20.0	$\mu\text{A}$
built-in POC $T_A = 25^\circ\text{C}$				2.0	5.0	$\mu\text{A}$	

AC Characteristics (T<sub>A</sub> = -40 to +85°C, V<sub>DD</sub> = 2.2 to 3.6 V)

Item	Symbol	Conditions	MIN.	TYP.	MAX.	Unit
CPU clock cycle time <sup>Note</sup> (instruction execution time)	t <sub>CY1</sub>		3.8		33	μs
	t <sub>CY2</sub>	V <sub>DD</sub> = 3.0 to 3.6 V	1.9		33	μs
INT high/low level width	t <sub>INTH</sub> , t <sub>INTL</sub>		20			μs
RESET low level lwidth	t <sub>RSL</sub>		10			μs

**Note** The CPU clock cycle time (instruction execution time) is determined by the oscillation frequency of the resonator connected and SYSCK (RF: address 02H) of the register file. The figure on the right shows the CPU clock cycle time t<sub>CY</sub> vs. supply voltage V<sub>DD</sub> characteristics.



**DC Programming Characteristics (T<sub>A</sub> = 25 °C, V<sub>DD</sub> = 6.0 ±0.25 V, V<sub>PP</sub> = 12.5 ±0.3 V)**

Parameter	Symbol	Test Conditions	MIN.	TYP.	MAX.	Unit
High-level input voltage	V <sub>IH1</sub>	Other than CLK	0.7 V <sub>DD</sub>		V <sub>DD</sub>	V
	V <sub>IH2</sub>	CLK	V <sub>DD</sub> -0.5		V <sub>DD</sub>	V
Low-level input voltage	V <sub>IL1</sub>	Other than CLK	0		0.3 V <sub>DD</sub>	V
	V <sub>IL2</sub>	CLK	0		0.4	V
Input leakage current	I <sub>LI</sub>	V <sub>IN</sub> = V <sub>IL</sub> or V <sub>IH</sub>			10	μA
High-level output voltage	V <sub>OH</sub>	I <sub>OH</sub> = -1 mA	V <sub>DD</sub> -1.0			V
Low-level output voltage	V <sub>OL</sub>	I <sub>OL</sub> = 1.6 mA			0.4	V
V <sub>DD</sub> supply current	I <sub>DD</sub>				30	mA
V <sub>PP</sub> supply current	I <sub>PP</sub>	MD <sub>0</sub> = V <sub>IL</sub> , MD <sub>1</sub> = V <sub>IH</sub>			30	mA

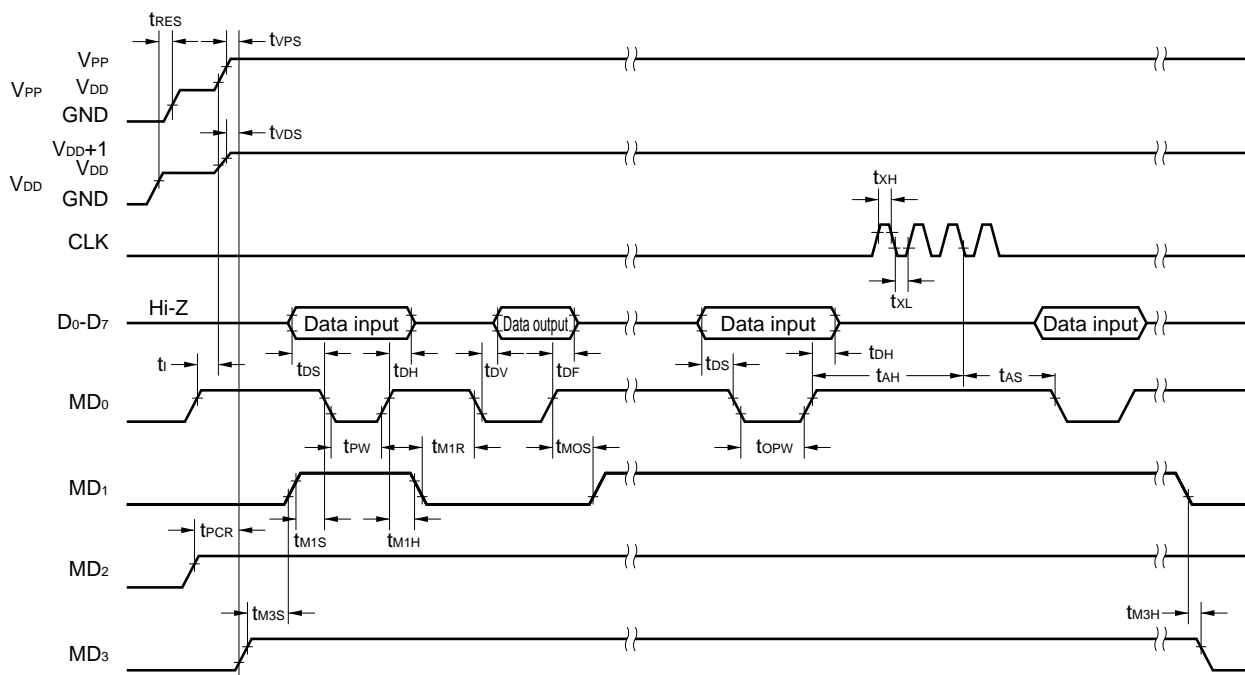
- Cautions**
1. Keep V<sub>PP</sub> to within +13.5 V including overshoot.
  2. Apply V<sub>DD</sub> before V<sub>PP</sub> and turns it off after V<sub>PP</sub>.

**AC Programming Characteristics (T<sub>A</sub> = 25°C, V<sub>DD</sub> = 6.0 ±0.25 V, V<sub>PP</sub> = 12.5 ±0.3 V)**

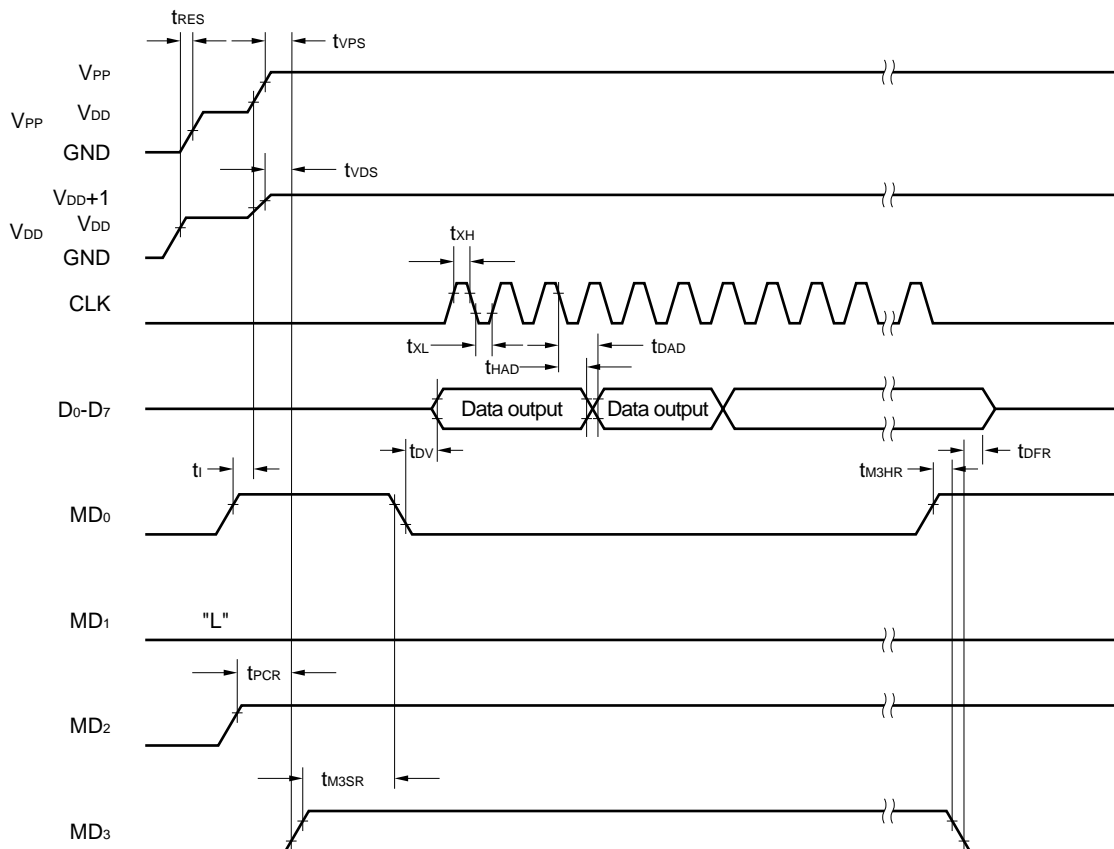
Parameter	Symbol	Test Conditions	MIN.	TYP.	MAX.	Unit
Address setup time <sup>Note</sup> (vs. MD <sub>0</sub> ↓)	t <sub>AS</sub>		2			μs
MD <sub>1</sub> setup time (vs. MD <sub>0</sub> ↓)	t <sub>M1S</sub>		2			μs
Data setup time (vs. MD <sub>0</sub> ↓)	t <sub>DS</sub>		2			μs
Address hold time <sup>Note</sup> (vs. MD <sub>0</sub> ↑)	t <sub>AH</sub>		2			μs
Data hold time (vs. MD <sub>0</sub> ↑)	t <sub>DH</sub>		2			μs
MD <sub>0</sub> ↑ → data output float delay time	t <sub>DF</sub>		0		130	ns
V <sub>PP</sub> setup time (vs. MD <sub>3</sub> ↑)	t <sub>VPS</sub>		2			μs
V <sub>DD</sub> setup time (vs. MD <sub>3</sub> ↑)	t <sub>VDS</sub>		2			μs
Initial program pulse width	t <sub>PW</sub>		0.95	1.0	1.05	ms
Additional program pulse width	t <sub>OPW</sub>		0.95		21.0	ms
MD <sub>0</sub> setup time (vs. MD <sub>1</sub> ↑)	t <sub>MOS</sub>		2			μs
MD <sub>0</sub> ↓ → data output delay time	t <sub>DV</sub>	MD <sub>0</sub> = MD <sub>1</sub> = V <sub>IL</sub>			1	μs
MD <sub>1</sub> hold time (vs. MD <sub>0</sub> ↑)	t <sub>M1H</sub>	t <sub>M1H</sub> +t <sub>M1R</sub> ≥ 50 μs	2			μs
MD <sub>1</sub> recovery time (vs. MD <sub>0</sub> ↓)	t <sub>M1R</sub>		2			μs
Program counter reset time	t <sub>PCR</sub>		10			μs
CLK input high-, low-level width	t <sub>XH</sub> , t <sub>XL</sub>		0.125			μs
CLK input frequency	f <sub>X</sub>				4.19	MHz
Initial mode set time	t <sub>I</sub>		2			μs
MD <sub>3</sub> setup time (vs. MD <sub>1</sub> ↑)	t <sub>M3S</sub>		2			μs
MD <sub>3</sub> hold time (vs. MD <sub>1</sub> ↓)	t <sub>M3H</sub>		2			μs
MD <sub>3</sub> setup time (vs. MD <sub>0</sub> ↓)	t <sub>M3SR</sub>	When program memory is read	2			μs
Address <sup>Note</sup> → data output delay time	t <sub>DAD</sub>	When program memory is read			2	μs
Address <sup>Note</sup> → data output hold time	t <sub>HAD</sub>	When program memory is read	0		130	ns
MD <sub>3</sub> hold time (vs. MD <sub>0</sub> ↑)	t <sub>M3HR</sub>	When program memory is read	2			μs
MD <sub>3</sub> ↓ → data output float delay time	t <sub>DFR</sub>	When program memory is read			2	μs
Reset setup time	t <sub>RES</sub>		10			μs

**Notes** The internal address increment (+1) is performed on the fall of the 3rd clock, where 4 clocks comprise one cycle. The internal clock is not connected to a pin.

Program Memory Write Timing

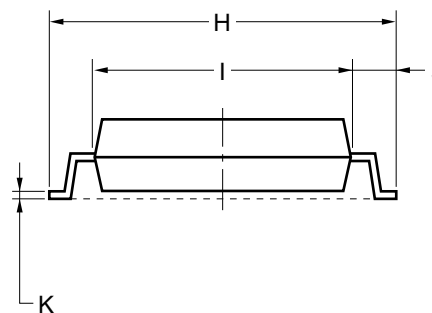
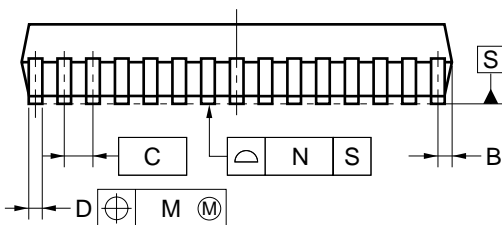
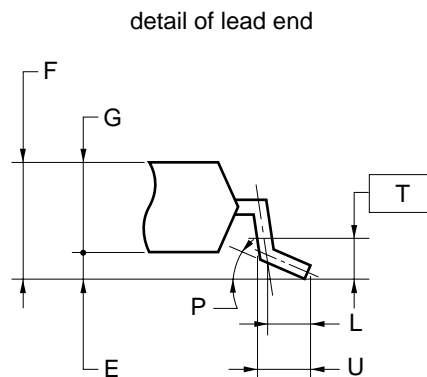
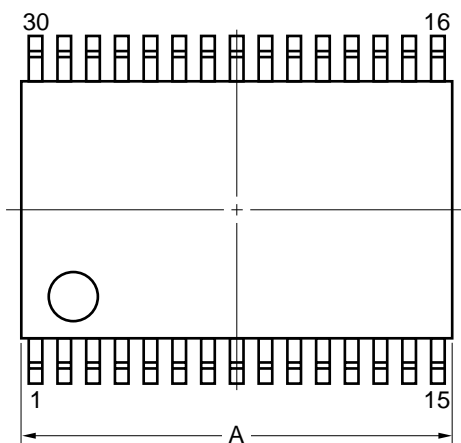


Program Memory Read Timing



5. PACKAGE DRAWING

30-PIN PLASTIC SSOP (7.62 mm (300))



NOTE

Each lead centerline is located within 0.13 mm of its true position (T.P.) at maximum material condition.

ITEM	MILLIMETERS
A	9.85±0.15
B	0.45 MAX.
C	0.65 (T.P.)
D	0.24 <sup>+0.08</sup> <sub>-0.07</sub>
E	0.1±0.05
F	1.3±0.1
G	1.2
H	8.1±0.2
I	6.1±0.2
J	1.0±0.2
K	0.17±0.03
L	0.5
M	0.13
N	0.10
P	3° <sup>+5°</sup> <sub>-3°</sub>
T	0.25
U	0.6±0.15

S30MC-65-5A4-2

**6. RECOMMENDED SOLDERING CONDITIONS**

For the μPD17P228 soldering must be performed under the following conditions.

For details of recommended conditions for surface mounting, refer to information document "**Semiconductor Device Mounting Technology Manual**" (C10535E).

For other soldering methods, please consult with NEC personnel.

**Table 6-1. Soldering Conditions of Surface Mount Type**

- μPD17P228MC-5A4: 30-pin plastic SSOP (7.62 mm(300))

Soldering Method	Soldering Conditions	Symbol
Infrared Reflow	Package peak temperature: 235°C, Time: 30 seconds max. (210°C min.), Number of times: 2 max. Number of days: 3 (after that, prebaking is necessary at 125°C for 10 hours)	IR35-103-2
VPS	Package peak temperature: 215°C, Time: 40 seconds max. (200°C min.), Number of times: 2 max. Number of days: 3 (after that, prebaking is necessary at 125°C for 10 hours)	VP15-103-2
Wave soldering	Solder bath temperature: 260°C max, Time: 10 seconds max., Number of times: once, preheating temperature: 120°C max. (package surface temperature) Number of days: 3 (after that, prebaking is necessary at 125°C for 10 hours)	WS-60-103-1
Partial heating	Pin temperature: 300°C max., Time: 3 seconds max. (per side of device)	—

**Note** Number of days in storage after the dry pack has been opened. The storage conditions are at 25°C, 65% RH MAX.

**Caution** Do not use two or more soldering methods in combination (except the partial heating method).

## APPENDIX. DEVELOPMENT TOOLS

To develop the programs for the  $\mu$ PD17P228 subseries, the following development tools are available:

## Hardware

Name	Remarks
In-circuit emulator (IE-17K, IE-17K-ET <sup>Note 1</sup> )	IE-17K and IE-17K-ET are the in-circuit emulators used in common with the 17K series microcontroller. IE-17K and IE-17K-ET are connected to a PC-9800 series or IBM PC/AT <sup>TM</sup> compatible machines as the host machine with RS-232C. By using these in-circuit emulators with a system evaluation board corresponding to the microcomputer, the emulators can emulate the microcomputer. A higher level debugging environment can be provided by using man-machine interface <i>SIMPLEHOST</i> <sup>TM</sup> .
SE board (SE-17225)	This is an SE board for $\mu$ PD17225 subseries. It can be used alone to evaluate a system or in combination with an in-circuit emulator for debugging.
Emulation probe (EP-17K30GS)	EP-17K30GS is an emulation probe for 17K series 30-pin SSOP (MC-5A4). When used with EV-9500GT-30 <sup>Note 2</sup> , it connects an SE board to the target system.
Conversion adapter (EV-9500GT-30 <sup>Note 2</sup> )	The EV-9500GT-30 is a conversion adapter for the 30-pin SSOP (MC-5A4). It is used to connect the EP-17K30GS and target system.
PROM programmer (AF-9706 <sup>Note 3</sup> , AF-9708 <sup>Note 3</sup> , AF-9709 <sup>Note 3</sup> )	AF-9706, AF-9708, and AF-9709 are PROM programmers corresponding to $\mu$ PD17P228. By connecting program adapter PA-17P236 to this PROM programmer, $\mu$ PD17P228 can be programmed.
Program adapter (PA-17P236)	PA-17P236 are adapters that is used to program $\mu$ PD17P228, and is used in combination with AF-9706, AF-9708, or AF-9709.

**Notes** 1. Low-cost model: External power supply type

2. Two EV-9500GT-30 are supplied with the EP-17K30GS. Five EV-9500GT-30s are optionally available as a set.
3. These are products from Ando Electric Co., Ltd. For details, consult Ando Electric Co., Ltd. (Tel: 03-3733-1166).

Software

Name	Outline	Host Machine	OS	Supply	Order Code
17K assembler (RA17K)	The RA17K is an assembler common to the 17K series products. When developing the program of devices, RA17K is used in combination with a device file (AS17225).	PC-9800 series	Japanese Windows™	3.5" 2HD	μSAA13RA17K
		IBM PC/AT compatible machine	Japanese Windows	3.5" 2HC	μSAB13RA17K
			English Windows		μSBB13RA17K
Device file (AS17225)	The AS17225 is a device file for μPD17225, 17226, 17227, and 17228 and is used in combination with an assembler for the 17K series (RA17K).	PC-9800 series	Japanese Windows	3.5" 2HD	μSAA13AS17225
		IBM PC/AT compatible machine	Japanese Windows	3.5" 2HC	μSAB13AS17225
			English Windows		μSBB13AS17225
Support software (SIMPLEHOST)	SIMPLEHOST is a software package that enables man-machine interface on the Windows when a program is developed by using an in-circuit emulator and a personal computer.	PC-9800 series	Japanese Windows	3.5" 2HD	μSAA13ID17K
		IBM PC/AT compatible machine	Japanese Windows	3.5" 2HC	μSAB13ID17K
			English Windows		μSBB13ID17K



**NOTES FOR CMOS DEVICES****① PRECAUTION AGAINST ESD FOR SEMICONDUCTORS**

Note:

Strong electric field, when exposed to a MOS device, can cause destruction of the gate oxide and ultimately degrade the device operation. Steps must be taken to stop generation of static electricity as much as possible, and quickly dissipate it once, when it has occurred. Environmental control must be adequate. When it is dry, humidifier should be used. It is recommended to avoid using insulators that easily build static electricity. Semiconductor devices must be stored and transported in an anti-static container, static shielding bag or conductive material. All test and measurement tools including work bench and floor should be grounded. The operator should be grounded using wrist strap. Semiconductor devices must not be touched with bare hands. Similar precautions need to be taken for PW boards with semiconductor devices on it.

**② HANDLING OF UNUSED INPUT PINS FOR CMOS**

Note:

No connection for CMOS device inputs can be cause of malfunction. If no connection is provided to the input pins, it is possible that an internal input level may be generated due to noise, etc., hence causing malfunction. CMOS devices behave differently than Bipolar or NMOS devices. Input levels of CMOS devices must be fixed high or low by using a pull-up or pull-down circuitry. Each unused pin should be connected to  $V_{DD}$  or GND with a resistor, if it is considered to have a possibility of being an output pin. All handling related to the unused pins must be judged device by device and related specifications governing the devices.

**③ STATUS BEFORE INITIALIZATION OF MOS DEVICES**

Note:

Power-on does not necessarily define initial status of MOS device. Production process of MOS does not define the initial operation status of the device. Immediately after the power source is turned ON, the devices with reset function have not yet been initialized. Hence, power-on does not guarantee out-pin levels, I/O settings or contents of registers. Device is not initialized until the reset signal is received. Reset operation must be executed immediately after power-on for devices having reset function.

## Regional Information

Some information contained in this document may vary from country to country. Before using any NEC product in your application, please contact the NEC office in your country to obtain a list of authorized representatives and distributors. They will verify:

- Device availability
- Ordering information
- Product release schedule
- Availability of related technical literature
- Development environment specifications (for example, specifications for third-party tools and components, host computers, power plugs, AC supply voltages, and so forth)
- Network requirements

In addition, trademarks, registered trademarks, export restrictions, and other legal issues may also vary from country to country.

### **NEC Electronics Inc. (U.S.)**

Santa Clara, California  
Tel: 408-588-6000  
800-366-9782  
Fax: 408-588-6130  
800-729-9288

### **NEC Electronics (Germany) GmbH**

Duesseldorf, Germany  
Tel: 0211-65 03 02  
Fax: 0211-65 03 490

### **NEC Electronics (UK) Ltd.**

Milton Keynes, UK  
Tel: 01908-691-133  
Fax: 01908-670-290

### **NEC Electronics Italiana s.r.l.**

Milano, Italy  
Tel: 02-66 75 41  
Fax: 02-66 75 42 99

### **NEC Electronics (Germany) GmbH**

Benelux Office  
Eindhoven, The Netherlands  
Tel: 040-2445845  
Fax: 040-2444580

### **NEC Electronics (France) S.A.**

Velizy-Villacoublay, France  
Tel: 01-30-67 58 00  
Fax: 01-30-67 58 99

### **NEC Electronics (France) S.A.**

Spain Office  
Madrid, Spain  
Tel: 91-504-2787  
Fax: 91-504-2860

### **NEC Electronics (Germany) GmbH**

Scandinavia Office  
Taebby, Sweden  
Tel: 08-63 80 820  
Fax: 08-63 80 388

### **NEC Electronics Hong Kong Ltd.**

Hong Kong  
Tel: 2886-9318  
Fax: 2886-9022/9044

### **NEC Electronics Hong Kong Ltd.**

Seoul Branch  
Seoul, Korea  
Tel: 02-528-0303  
Fax: 02-528-4411

### **NEC Electronics Singapore Pte. Ltd.**

United Square, Singapore 1130  
Tel: 65-253-8311  
Fax: 65-250-3583

### **NEC Electronics Taiwan Ltd.**

Taipei, Taiwan  
Tel: 02-2719-2377  
Fax: 02-2719-5951

### **NEC do Brasil S.A.**

Electron Devices Division  
Rodovia Presidente Dutra, Km 214  
07210-902-Guarulhos-SP Brasil  
Tel: 55-11-6465-6810  
Fax: 55-11-6465-6829

J99.1

[MEMO]

**SIMPLEHOST is a trademark of NEC Corporation.**

**Windows is either a registered trademark or a trademark of Microsoft Corporation in the United States and/or other countries.**

**PC/AT is a trademark of IBM Corporation.**

The export of this product from Japan is regulated by the Japanese government. To export this product may be prohibited without governmental license, the need for which must be judged by the customer. The export or re-export of this product from a country other than Japan may also be prohibited without a license from that country. Please call an NEC sales representative.

• **The information in this document is subject to change without notice. Before using this document, please confirm that this is the latest version.**

• No part of this document may be copied or reproduced in any form or by any means without the prior written consent of NEC Corporation. NEC Corporation assumes no responsibility for any errors which may appear in this document.

• NEC Corporation does not assume any liability for infringement of patents, copyrights or other intellectual property rights of third parties by or arising from use of a device described herein or any other liability arising from use of such device. No license, either express, implied or otherwise, is granted under any patents, copyrights or other intellectual property rights of NEC Corporation or others.

• Descriptions of circuits, software, and other related information in this document are provided for illustrative purposes in semiconductor product operation and application examples. The incorporation of these circuits, software, and information in the design of the customer's equipment shall be done under the full responsibility of the customer. NEC Corporation assumes no responsibility for any losses incurred by the customer or third parties arising from the use of these circuits, software, and information.

• While NEC Corporation has been making continuous effort to enhance the reliability of its semiconductor devices, the possibility of defects cannot be eliminated entirely. To minimize risks of damage or injury to persons or property arising from a defect in an NEC semiconductor device, customers must incorporate sufficient safety measures in its design, such as redundancy, fire-containment, and anti-failure features.

• NEC devices are classified into the following three quality grades:

"Standard", "Special", and "Specific". The Specific quality grade applies only to devices developed based on a customer designated "quality assurance program" for a specific application. The recommended applications of a device depend on its quality grade, as indicated below. Customers must check the quality grade of each device before using it in a particular application.

Standard: Computers, office equipment, communications equipment, test and measurement equipment, audio and visual equipment, home electronic appliances, machine tools, personal electronic equipment and industrial robots

Special: Transportation equipment (automobiles, trains, ships, etc.), traffic control systems, anti-disaster systems, anti-crime systems, safety equipment and medical equipment (not specifically designed for life support)

Specific: Aircraft, aerospace equipment, submersible repeaters, nuclear reactor control systems, life support systems or medical equipment for life support, etc.

The quality grade of NEC devices is "Standard" unless otherwise specified in NEC's Data Sheets or Data Books. If customers intend to use NEC devices for applications other than those specified for Standard quality grade, they should contact an NEC sales representative in advance.