

Low Dropout Dual Voltage Regulator

The LM2935 is a dual positive 5.0 V low dropout voltage regulator, designed for standby power systems. The main output is capable of supplying 750 mA for microprocessor power, and can be turned “on” and “off” by the switch/reset input. The other output is dedicated for standby operation of volatile memory, and is capable of supplying up to 10 mA loads. The total device features a low quiescent current of 3.0 mA or less when supplying 10 mA from the standby output.

This part was designed for harsh automotive environments and is therefore immune to many input supply voltage problems such as reverse battery (–12 V), double battery (+24 V), and load dump transients (+60 V).

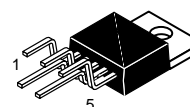
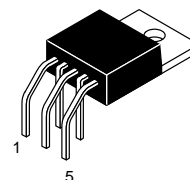
- Two Regulated 5.0 V Outputs
- Main Output Current in Excess of 750 mA
- On/Off Control of Main Output
- Standby Output Current in Excess of 10 mA
- Low Input/Output Differential of Less than 0.6 V at 500 mA
- Short Circuit Current Limiting
- Internal Thermal Shutdown
- Low Voltage Indicator Output
- Designed for Automotive Environment Including
 - Reverse Battery Protection
 - Double Battery Protection
 - Load Dump Protection
 - Reverse Transient Protection
- Economical 5–Lead TO–220 Package with Two Optional Leadforms
- Also Available in Surface Mount D²PAK Package

LM2935

LOW DROPOUT DUAL VOLTAGE REGULATOR

SEMICONDUCTOR TECHNICAL DATA

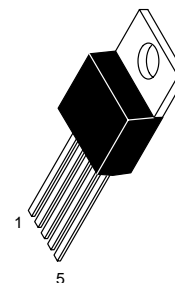
TH SUFFIX
PLASTIC PACKAGE
CASE 314A



TV SUFFIX
PLASTIC PACKAGE
CASE 314B

Heatsink surface connected to Pin 3.

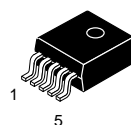
T SUFFIX
PLASTIC PACKAGE
CASE 314D



- Pin
1. Input Voltage/V_{CC}
 2. Main Output
 3. Ground
 4. Switch/Reset
 5. Standby/Output

ORDERING INFORMATION

Device	Operating Temperature Range	Package
LM2935D2T	$T_J = -40^\circ \text{ to } +125^\circ \text{C}$	Surface Mount
LM2935T		Plastic Power
LM2935TH		Horizontal Mount
LM2935TV		Vertical Mount

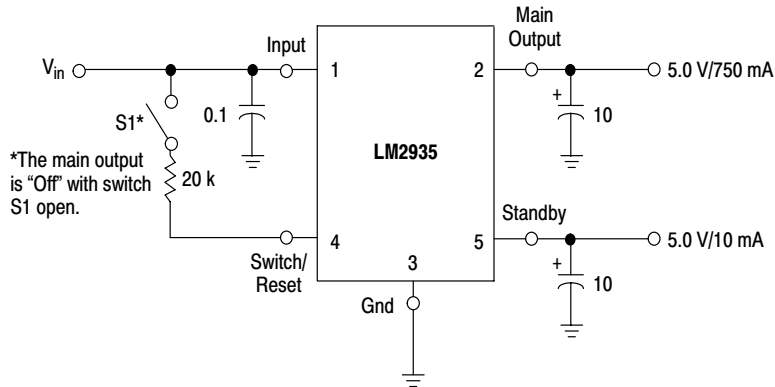


D2T SUFFIX
PLASTIC PACKAGE
CASE 936A
(D²PAK)

Heatsink surface (shown as terminal 6 in case outline drawing) is connected to Pin 3.

LM2935

Typical Application Circuit



An input bypass capacitor is recommended if the regulator is located more than 4" from the supply input filter. The LM2935 is not internally compensated and thus requires an external output capacitor for stability. A minimum capacitance of 10 μF is recommended. The actual capacitance value is dependent upon load current, temperature, and the capacitor's equivalent series resistance (ESR). The least stable condition is encountered at maximum load current and minimum ambient temperature.

This device contains 29 active transistors.

MAXIMUM RATINGS

Rating	Symbol	Value	Unit
Input Voltage Continuous	V_I	60	Vdc
Transient Reverse Polarity Input Voltage 1.0% Duty Cycle, $\tau \leq 100$ ms	$-V_I(\tau)$	-50	Vpk
Switch/Reset Input Current	I_{in}	5.0	mA
Power Dissipation Case 314A, 314B and 314D (TO-220 Type) $T_A = 25^\circ\text{C}$ Thermal Resistance, Junction-to-Ambient Thermal Resistance, Junction-to-Case Case 936A (D ² PAK) $T_A = 25^\circ\text{C}$ Thermal Resistance, Junction-to-Ambient Thermal Resistance, Junction-to-Case	P_D $R_{\theta JA}$ $R_{\theta JC}$	Internally Limited 65 5.0	W $^\circ\text{C/W}$ $^\circ\text{C/W}$
Operating Junction Temperature Range	T_J	-40 to +150	$^\circ\text{C}$
Storage Temperature Range	T_{stg}	-65 to +150	$^\circ\text{C}$

ELECTRICAL CHARACTERISTICS ($V_{in} = 14$ V, $I_O = 500$ mA, $I_{stby} = 0$ mA, $C_O = 10$ μF , $C_{stby} = 10$ μF , $T_J = 25^\circ\text{C}$ [Note 1].)

Characteristic	Symbol	Min	Typ	Max	Unit
MAIN OUTPUT					
Output Voltage ($V_{in} = 6.0$ V to 26 V, $I_O = 5.0$ mA to 500 mA, $T_J = -40$ to $+125^\circ\text{C}$)	V_O	4.75	5.0	5.25	V
Line Regulation $V_{in} = 9.0$ V to 16 V, $I_O = 5.0$ mA $V_{in} = 6.0$ V to 26 V, $I_O = 5.0$ mA	Reg_{line}	-	4.0 10	25 50	mV
Load Regulation ($I_O = 5.0$ mA to 500 mA)	Reg_{load}	-	10	50	mV
Output Impedance $I_O = 500$ mAdc and 10 mArms, $f = 100$ Hz to 10 kHz	Z_O	-	200	-	$\text{m}\Omega$
Output Noise Voltage ($f = 10$ Hz to 100 kHz)	V_n	-	100	-	μVrms
Long Term Stability	S	-	20	-	mV/kHR

LM2935

ELECTRICAL CHARACTERISTICS ($V_{in} = 14\text{ V}$, $I_O = 500\text{ mA}$, $I_{stby} = 0\text{ mA}$, $C_O = 10\text{ }\mu\text{F}$, $C_{stby} = 10\text{ }\mu\text{F}$, $T_J = 25^\circ\text{C}$ [Note 1].)

Characteristic	Symbol	Min	Typ	Max	Unit
MAIN OUTPUT (continued)					
Ripple Rejection ($f = 120\text{ Hz}$)	RR	–	66	–	dB
Dropout Voltage $I_O = 500\text{ mA}$ $I_O = 750\text{ mA}$	$V_I - V_O$	– –	0.45 0.82	0.6 –	V
Short Circuit Current Limit	I_{SC}	0.75	1.2	–	A
Over-Voltage Shutdown Threshold	$V_{th(OV)}$	26	31	–	V

SWITCH/RESET

Output Sink Current ($V_{OL} = 1.2\text{ V}$)	I_{Sink}	–	5.0	–	mA
Output Voltage ($R_{on/off} = 20\text{ k}\Omega$) Low State, $V_{in} = 4.0\text{ V}$ High State, $V_{in} = 14\text{ V}$	V_{OL} V_{OH}	– 4.5	0.9 5.0	1.2 6.0	V
Output Pull-Up Resistor, “On”/“Off” (Note 2)	$R_{on/off}$	–	20	30	$\text{k}\Omega$
Output Voltage with Reverse Polarity Input ($V_{in} = -15\text{ V}$, $R_L = 10\text{ }\Omega$)	$-V_O$	-0.6	0	–	V

ELECTRICAL CHARACTERISTICS ($V_{in} = 14\text{ V}$, $I_O = 0\text{ mA}$, $I_{stby} = 10\text{ mA}$, $C_O = 10\text{ }\mu\text{F}$, $C_{stby} = 10\text{ }\mu\text{F}$, $T_J = 25^\circ\text{C}$ [Note 1].)

Characteristic	Symbol	Min	Typ	Max	Unit
STANDBY OUTPUT					
Output Voltage ($V_{in} = 6.0\text{ V to } 26\text{ V}$, $I_{stby} = 1.0\text{ mA to } 10\text{ mA}$, $T_J = -40\text{ to } +125^\circ\text{C}$)	$V_{O(stby)}$	4.75	5.0	5.25	V
Tracking Voltage	$V_O - V_{O(stby)}$	-200	0	200	mV
Line Regulation ($V_{in} = 6.0\text{ V to } 26\text{ V}$)	Reg_{line}	–	4.0	50	mV
Load Regulation ($I_{stby} = 1.0\text{ mA to } 10\text{ mA}$)	Reg_{load}	–	10	50	mV
Output Impedance $I_{(stby)} = 10\text{ mAdc and } 1.0\text{ mArms}$, $f = 100\text{ Hz to } 10\text{ kHz}$	$Z_{O(stby)}$	–	1.0	–	Ω
Output Noise Voltage ($f = 10\text{ Hz to } 100\text{ kHz}$)	V_n	–	300	–	μVrms
Long Term Stability	S	–	20	–	mV/kHR
Ripple Rejection ($f = 120\text{ Hz}$)	RR	–	66	–	dB
Dropout Voltage ($I_{stby} = 10\text{ mA}$)	$V_I - V_{O(stby)}$	–	0.55	0.7	V
Short Circuit Current Limit	I_{SC}	25	70	–	mA
Output Voltage with Reverse Polarity Input $V_{in} = -15\text{ V}$, $R_L = 510\text{ }\Omega$	$-V_O$	-0.3	0	–	V
Output Voltage with Maximum Positive Input $V_{in} = 60\text{ V}$, $R_L = 510\text{ }\Omega$	$V_{O(max)}$	–	5.0	6.0	V

TOTAL DEVICE

Bias Current $I_O = 10\text{ mA}$, $I_{stby} = 0\text{ mA}$ $I_O = 500\text{ mA}$, $I_{stby} = 0\text{ mA}$ $I_O = 750\text{ mA}$, $I_{stby} = 0\text{ mA}$ Main Output “Off”, $I_{stby} = 10\text{ mA}$	I_B	– – – –	3.0 40 90 2.0	– 100 – 3.0	mA
---	-------	------------------	------------------------	----------------------	----

- NOTES:** 1. Low duty cycle pulse techniques are used during test to maintain junction temperature as close to ambient as possible.
2. The maximum switch/reset current must not exceed 5.0 mA.

LM2935

TYPICAL CIRCUIT WAVEFORMS

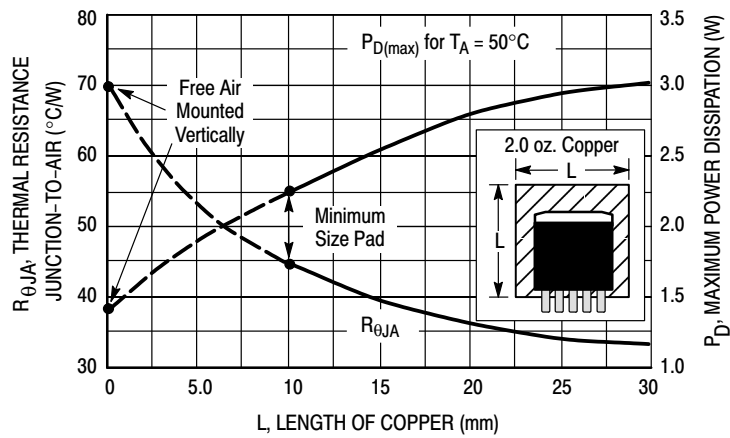
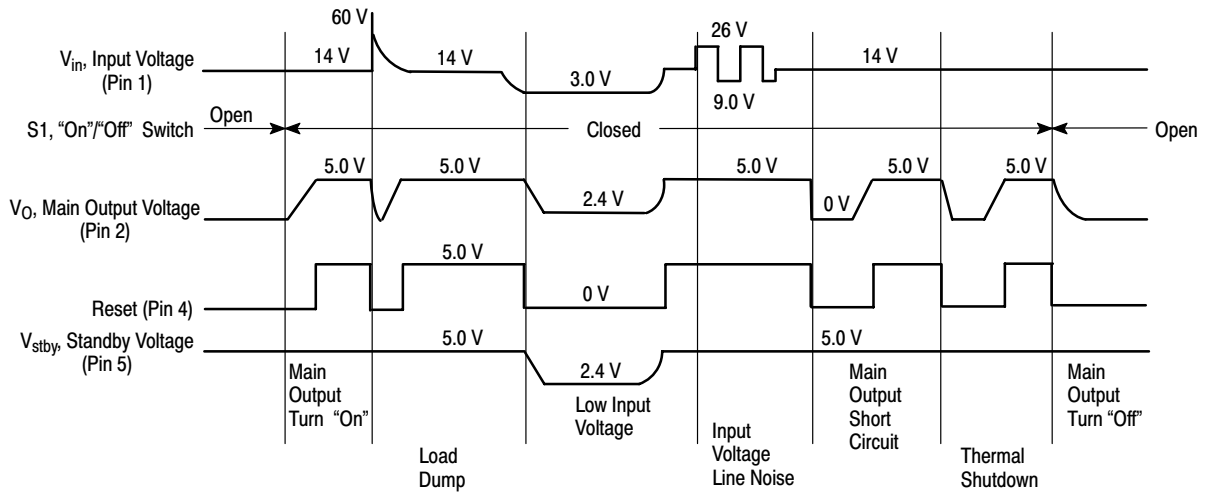
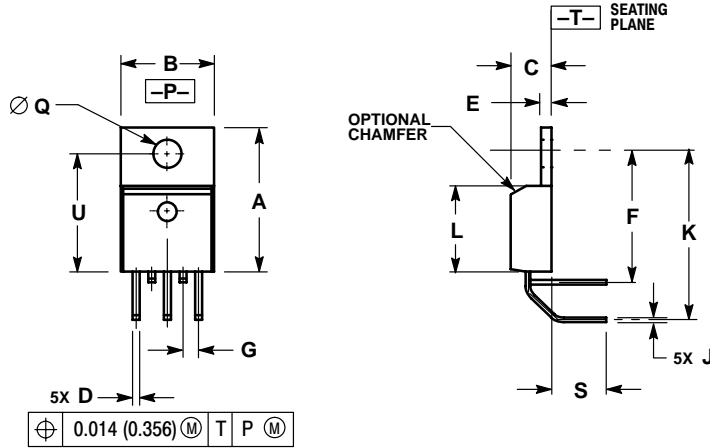


Figure 1. D²PAK Thermal Resistance and Maximum Power Dissipation versus P.C.B. Copper Length

LM2935

PACKAGE DIMENSIONS

TH SUFFIX
PLASTIC PACKAGE
CASE 314A-03
ISSUE E

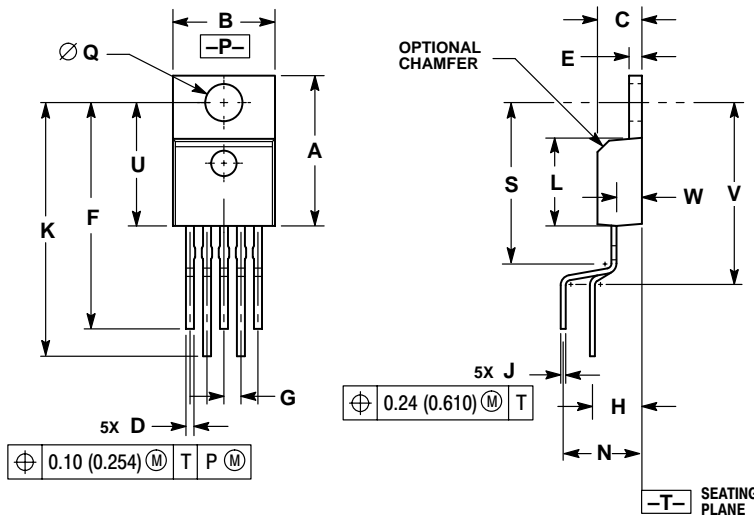


NOTES:

1. DIMENSIONING AND TOLERANCING PER ANSI Y14.5M, 1982.
2. CONTROLLING DIMENSION: INCH.
3. DIMENSION D DOES NOT INCLUDE INTERCONNECT BAR (DAMBAR) PROTRUSION. DIMENSION D INCLUDING PROTRUSION SHALL NOT EXCEED 0.043 (1.092) MAXIMUM.

DIM	INCHES		MILLIMETERS	
	MIN	MAX	MIN	MAX
A	0.572	0.613	14.529	15.570
B	0.390	0.415	9.906	10.541
C	0.170	0.180	4.318	4.572
D	0.025	0.038	0.635	0.965
E	0.048	0.055	1.219	1.397
F	0.570	0.585	14.478	14.859
G	0.067 BSC		1.702 BSC	
J	0.015	0.025	0.381	0.635
K	0.730	0.745	18.542	18.923
L	0.320	0.365	8.128	9.271
Q	0.140	0.153	3.556	3.886
S	0.210	0.260	5.334	6.604
U	0.468	0.505	11.888	12.827

TV SUFFIX
PLASTIC PACKAGE
CASE 314B-05
ISSUE J



NOTES:

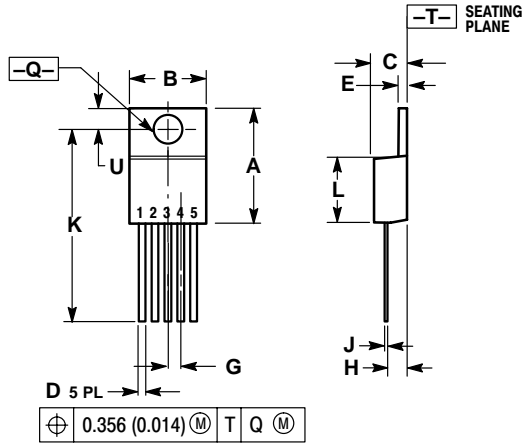
1. DIMENSIONING AND TOLERANCING PER ANSI Y14.5M, 1982.
2. CONTROLLING DIMENSION: INCH.
3. DIMENSION D DOES NOT INCLUDE INTERCONNECT BAR (DAMBAR) PROTRUSION. DIMENSION D INCLUDING PROTRUSION SHALL NOT EXCEED 0.043 (1.092) MAXIMUM.

DIM	INCHES		MILLIMETERS	
	MIN	MAX	MIN	MAX
A	0.572	0.613	14.529	15.570
B	0.390	0.415	9.906	10.541
C	0.170	0.180	4.318	4.572
D	0.025	0.038	0.635	0.965
E	0.048	0.055	1.219	1.397
F	0.850	0.935	21.590	23.749
G	0.067 BSC		1.702 BSC	
H	0.166 BSC		4.216 BSC	
J	0.015	0.025	0.381	0.635
K	0.900	1.100	22.860	27.940
L	0.320	0.365	8.128	9.271
N	0.320 BSC		8.128 BSC	
Q	0.140	0.153	3.556	3.886
S	---	0.620	---	15.748
U	0.468	0.505	11.888	12.827
V	---	0.735	---	18.669
W	0.090	0.110	2.286	2.794

LM2935

PACKAGE DIMENSIONS

T SUFFIX PLASTIC PACKAGE CASE 314D-04 ISSUE E

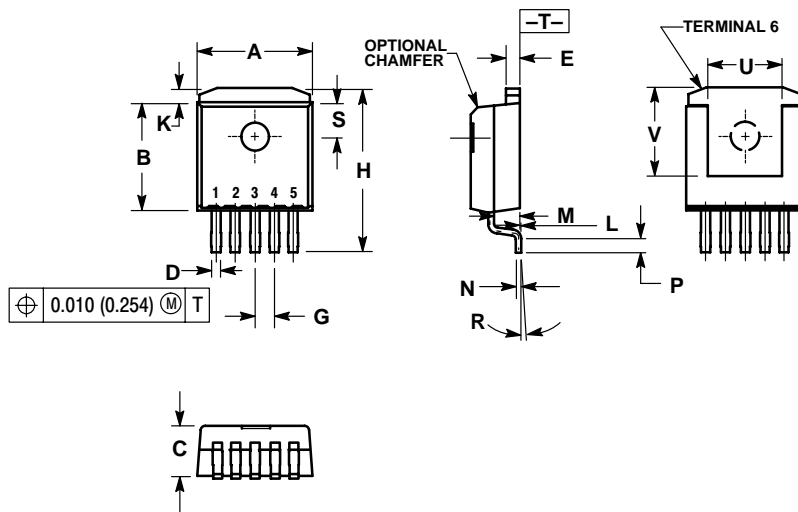


NOTES:

1. DIMENSIONING AND TOLERANCING PER ANSI Y14.5M, 1982.
2. CONTROLLING DIMENSION: INCH.
3. DIMENSION D DOES NOT INCLUDE INTERCONNECT BAR (DAMBAR) PROTRUSION. DIMENSION D INCLUDING PROTRUSION SHALL NOT EXCEED 10.92 (0.043) MAXIMUM.

DIM	INCHES		MILLIMETERS	
	MIN	MAX	MIN	MAX
A	0.572	0.613	14.529	15.570
B	0.390	0.415	9.906	10.541
C	0.170	0.180	4.318	4.572
D	0.025	0.038	0.635	0.965
E	0.048	0.055	1.219	1.397
G	0.067 BSC		1.702 BSC	
H	0.087	0.112	2.210	2.845
J	0.015	0.025	0.381	0.635
K	0.990	1.045	25.146	26.543
L	0.320	0.365	8.128	9.271
Q	0.140	0.153	3.556	3.886
U	0.105	0.117	2.667	2.972

D2T SUFFIX PLASTIC PACKAGE CASE 936A-02 (D²PAK) ISSUE B



NOTES:

1. DIMENSIONING AND TOLERANCING PER ANSI Y14.5M, 1982.
2. CONTROLLING DIMENSION: INCH.
3. TAB CONTOUR OPTIONAL WITHIN DIMENSIONS A AND K.
4. DIMENSIONS U AND V ESTABLISH A MINIMUM MOUNTING SURFACE FOR TERMINAL 6.
5. DIMENSIONS A AND B DO NOT INCLUDE MOLD FLASH OR GATE PROTRUSIONS. MOLD FLASH AND GATE PROTRUSIONS NOT TO EXCEED 0.025 (0.635) MAXIMUM.

DIM	INCHES		MILLIMETERS	
	MIN	MAX	MIN	MAX
A	0.386	0.403	9.804	10.236
B	0.356	0.368	9.042	9.347
C	0.170	0.180	4.318	4.572
D	0.026	0.036	0.660	0.914
E	0.045	0.055	1.143	1.397
G	0.067 BSC		1.702 BSC	
H	0.539	0.579	13.691	14.707
K	0.050 REF		1.270 REF	
L	0.000	0.010	0.000	0.254
M	0.088	0.102	2.235	2.591
N	0.018	0.026	0.457	0.660
P	0.058	0.078	1.473	1.981
R	5° REF		5° REF	
S	0.116 REF		2.946 REF	
U	0.200 MIN		5.080 MIN	
V	0.250 MIN		6.350 MIN	

Notes

ON Semiconductor and  are trademarks of Semiconductor Components Industries, LLC (SCILLC). SCILLC reserves the right to make changes without further notice to any products herein. SCILLC makes no warranty, representation or guarantee regarding the suitability of its products for any particular purpose, nor does SCILLC assume any liability arising out of the application or use of any product or circuit, and specifically disclaims any and all liability, including without limitation special, consequential or incidental damages. "Typical" parameters which may be provided in SCILLC data sheets and/or specifications can and do vary in different applications and actual performance may vary over time. All operating parameters, including "Typicals" must be validated for each customer application by customer's technical experts. SCILLC does not convey any license under its patent rights nor the rights of others. SCILLC products are not designed, intended, or authorized for use as components in systems intended for surgical implant into the body, or other applications intended to support or sustain life, or for any other application in which the failure of the SCILLC product could create a situation where personal injury or death may occur. Should Buyer purchase or use SCILLC products for any such unintended or unauthorized application, Buyer shall indemnify and hold SCILLC and its officers, employees, subsidiaries, affiliates, and distributors harmless against all claims, costs, damages, and expenses, and reasonable attorney fees arising out of, directly or indirectly, any claim of personal injury or death associated with such unintended or unauthorized use, even if such claim alleges that SCILLC was negligent regarding the design or manufacture of the part. SCILLC is an Equal Opportunity/Affirmative Action Employer.

PUBLICATION ORDERING INFORMATION

NORTH AMERICA Literature Fulfillment:

Literature Distribution Center for ON Semiconductor
P.O. Box 5163, Denver, Colorado 80217 USA
Phone: 303-675-2175 or 800-344-3860 Toll Free USA/Canada
Fax: 303-675-2176 or 800-344-3867 Toll Free USA/Canada
Email: ONlit@hibbertco.com
Fax Response Line: 303-675-2167 or 800-344-3810 Toll Free USA/Canada

N. American Technical Support: 800-282-9855 Toll Free USA/Canada

EUROPE: LDC for ON Semiconductor – European Support

German Phone: (+1) 303-308-7140 (Mon-Fri 2:30pm to 7:00pm CET)
Email: ONlit-german@hibbertco.com
French Phone: (+1) 303-308-7141 (Mon-Fri 2:00pm to 7:00pm CET)
Email: ONlit-french@hibbertco.com
English Phone: (+1) 303-308-7142 (Mon-Fri 12:00pm to 5:00pm GMT)
Email: ONlit@hibbertco.com

EUROPEAN TOLL-FREE ACCESS*: 00-800-4422-3781

*Available from Germany, France, Italy, UK, Ireland

CENTRAL/SOUTH AMERICA:

Spanish Phone: 303-308-7143 (Mon-Fri 8:00am to 5:00pm MST)
Email: ONlit-spanish@hibbertco.com
Toll-Free from Mexico: Dial 01-800-288-2872 for Access –
then Dial 866-297-9322

ASIA/PACIFIC: LDC for ON Semiconductor – Asia Support

Phone: 1-303-675-2121 (Tue-Fri 9:00am to 1:00pm, Hong Kong Time)
Toll Free from Hong Kong & Singapore:
001-800-4422-3781
Email: ONlit-asia@hibbertco.com

JAPAN: ON Semiconductor, Japan Customer Focus Center

4-32-1 Nishi-Gotanda, Shinagawa-ku, Tokyo, Japan 141-0031
Phone: 81-3-5740-2700
Email: r14525@onsemi.com

ON Semiconductor Website: <http://onsemi.com>

For additional information, please contact your local Sales Representative.