

# DATA SHEET



## **PEMH11**

**NPN resistor-equipped transistors;  
R1 = 10 k $\Omega$ , R2 = 10 k $\Omega$**

Preliminary specification

2001 Oct 22

# NPN resistor-equipped transistors; R1 = 10 kΩ, R2 = 10 kΩ

## PEMH11

### FEATURES

- 300 mW total power dissipation
- Very small 1.6 × 1.2 mm ultra thin package
- Self alignment during soldering due to straight leads
- Replaces two SC-75/SC-89 packaged transistors on same PCB area
- Reduces required PCB area
- Reduced pick and place costs.

### APPLICATIONS

- General purpose switching and amplification
- Inverter and interface circuits
- Circuit driver.

### DESCRIPTION

NPN resistor-equipped transistors in a SOT666 plastic package.

### MARKING

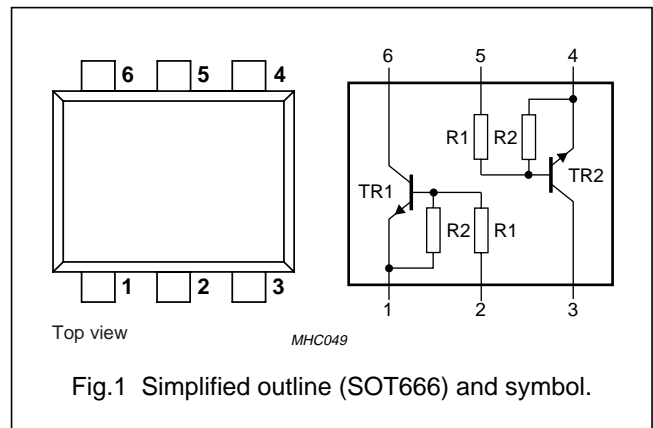
TYPE NUMBER	MARKING CODE
PEMH11	H1

### QUICK REFERENCE DATA

SYMBOL	PARAMETER	MAX.	UNIT
V <sub>CEO</sub>	collector-emitter voltage	50	V
I <sub>CM</sub>	peak collector current	100	mA
TR1	NPN	–	–
TR2	NPN	–	–
R1	bias resistor	10	kΩ
R2	bias resistor	10	kΩ

### PINNING

PIN	DESCRIPTION
1, 4	emitter TR1; TR2
2, 5	base TR1; TR2
6, 3	collector TR1; TR2



NPN resistor-equipped transistors;  
R1 = 10 k $\Omega$ , R2 = 10 k $\Omega$

PEMH11

**LIMITING VALUES**

In accordance with the Absolute Maximum Rating System (IEC 60134).

SYMBOL	PARAMETER	CONDITIONS	MIN.	MAX.	UNIT
<b>Per transistor</b>					
V <sub>CBO</sub>	collector-base voltage	open emitter	–	50	V
V <sub>CEO</sub>	collector-emitter voltage	open base	–	50	V
V <sub>EBO</sub>	emitter-base voltage	open collector	–	10	V
V <sub>i</sub>	input voltage positive negative		–	+40	V
			–	–10	V
I <sub>o</sub>	output current (DC)		–	100	mA
I <sub>CM</sub>	peak collector current		–	100	mA
P <sub>tot</sub>	total power dissipation	T <sub>amb</sub> ≤ 25 °C; note 1	–	200	mW
T <sub>stg</sub>	storage temperature		–65	+150	°C
T <sub>j</sub>	junction temperature		–	150	°C
T <sub>amb</sub>	operating ambient temperature		–65	+150	°C
<b>Per device</b>					
P <sub>tot</sub>	total power dissipation	T <sub>amb</sub> ≤ 25 °C; note 1	–	300	mW

**Note**

1. Transistor mounted on an FR4 printed-circuit board.

**THERMAL CHARACTERISTICS**

SYMBOL	PARAMETER	CONDITIONS	VALUE	UNIT
R <sub>th j-a</sub>	thermal resistance from junction to ambient	notes 1 and 2	416	K/W

**Notes**

1. Transistor mounted on an FR4 printed-circuit board.
2. The only recommended soldering method is reflow soldering.

NPN resistor-equipped transistors;  
 $R1 = 10 \text{ k}\Omega$ ,  $R2 = 10 \text{ k}\Omega$

PEMH11

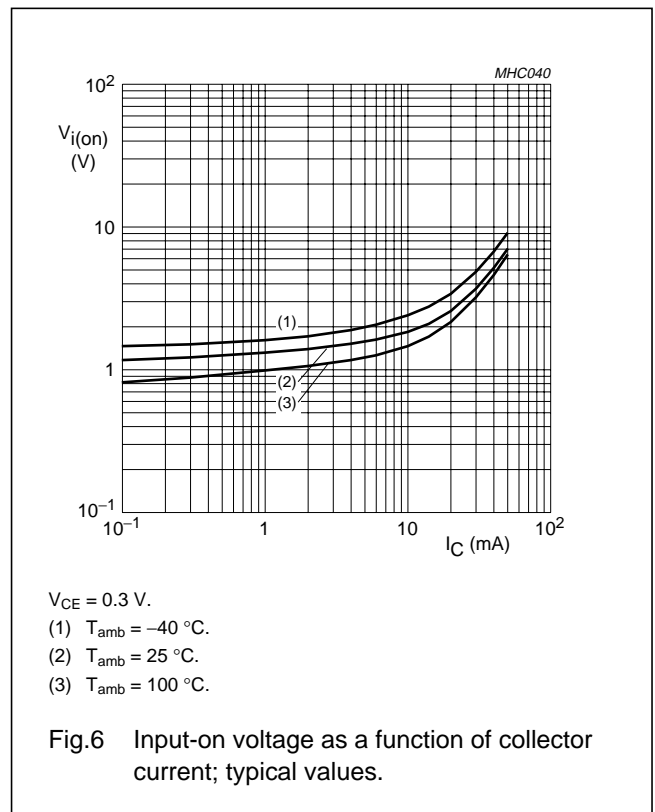
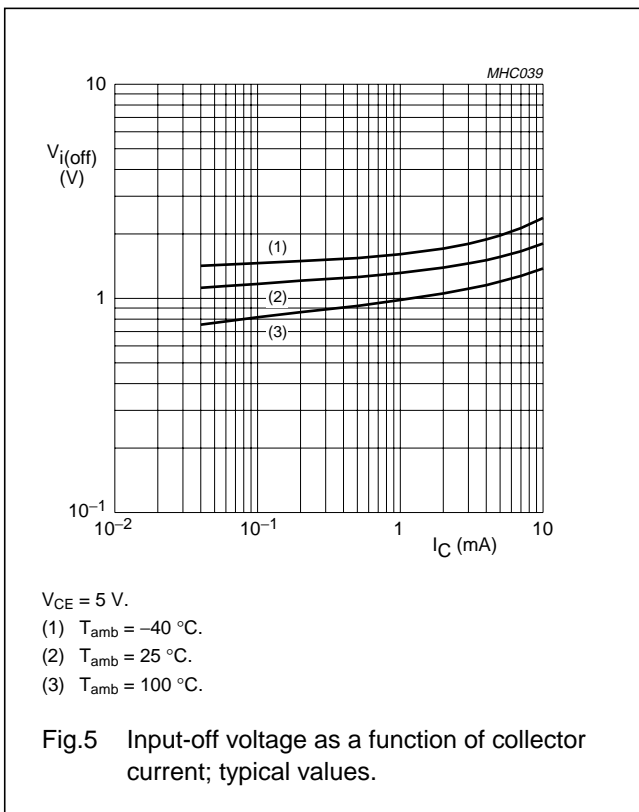
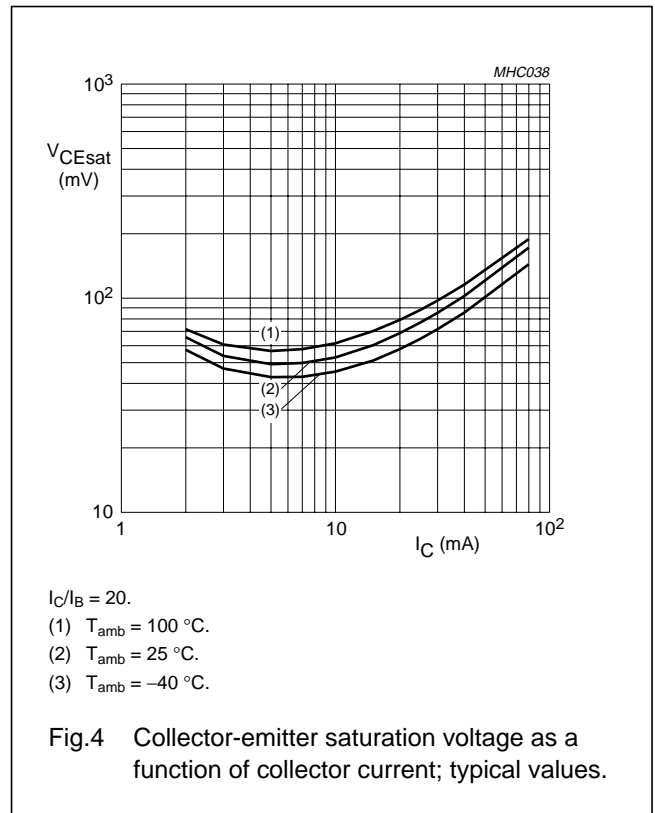
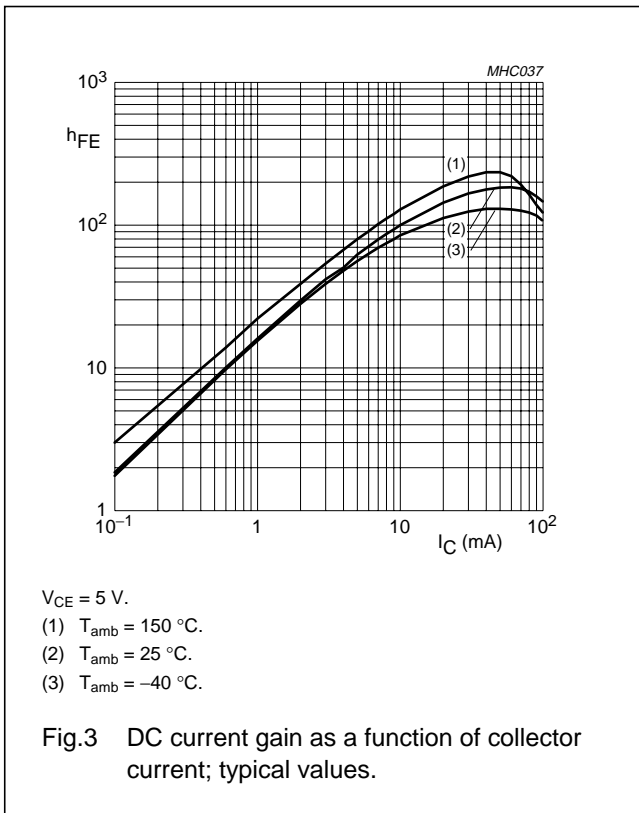
**CHARACTERISTICS**

$T_{\text{amb}} = 25 \text{ }^\circ\text{C}$ ; unless otherwise specified.

SYMBOL	PARAMETER	CONDITIONS	MIN.	TYP.	MAX.	UNIT
<b>Per transistor</b>						
$I_{\text{CBO}}$	collector-base cut-off current	$V_{\text{CB}} = 50 \text{ V}$ ; $I_{\text{E}} = 0$	–	–	100	nA
$I_{\text{CEO}}$	collector-emitter cut-off current	$V_{\text{CE}} = 50 \text{ V}$ ; $I_{\text{B}} = 0$	–	–	1	$\mu\text{A}$
		$V_{\text{CE}} = 30 \text{ V}$ ; $I_{\text{B}} = 0$ ; $T_{\text{j}} = 150 \text{ }^\circ\text{C}$	–	–	50	$\mu\text{A}$
$I_{\text{EBO}}$	emitter-base cut-off current	$V_{\text{EB}} = 5 \text{ V}$ ; $I_{\text{C}} = 0$	–	–	400	$\mu\text{A}$
$h_{\text{FE}}$	DC current gain	$V_{\text{CE}} = 5 \text{ V}$ ; $I_{\text{C}} = 5 \text{ mA}$	30	–	–	
$V_{\text{CEsat}}$	collector-emitter saturation voltage	$I_{\text{C}} = 10 \text{ mA}$ ; $I_{\text{B}} = 0.5 \text{ mA}$	–	–	150	mV
$V_{\text{i(off)}}$	input off voltage	$V_{\text{CE}} = 5 \text{ V}$ ; $I_{\text{C}} = 100 \mu\text{A}$	–	–	0.5	V
$V_{\text{i(on)}}$	input on voltage	$V_{\text{CE}} = 0.3 \text{ V}$ ; $I_{\text{C}} = 10 \text{ mA}$	2.5	–	–	V
R1	input resistor		7	10	13	$\text{k}\Omega$
$\frac{R2}{R1}$	resistor ratio		0.8	1	1.2	
$C_{\text{c}}$	collector capacitance	$I_{\text{E}} = i_{\text{e}} = 0$ ; $V_{\text{CB}} = 10 \text{ V}$ ; $f = 1 \text{ MHz}$	–	–	2.5	pF

NPN resistor-equipped transistors;  
R1 = 10 kΩ, R2 = 10 kΩ

PEMH11



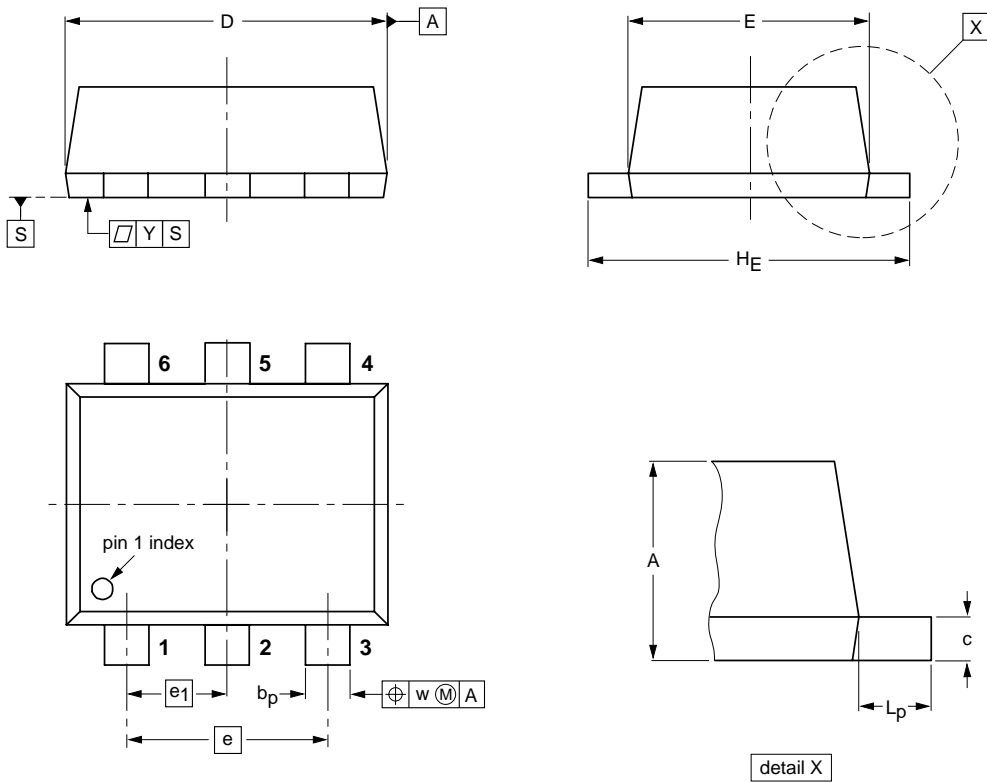
NPN resistor-equipped transistors;  
R1 = 10 kΩ, R2 = 10 kΩ

PEMH11

PACKAGE OUTLINE

Plastic surface mounted package; 6 leads

SOT666



DIMENSIONS (mm are the original dimensions)

UNIT	A	b <sub>p</sub>	c	D	E	e	e <sub>1</sub>	H <sub>E</sub>	L <sub>p</sub>	w	y
mm	0.6 0.5	0.27 0.17	0.18 0.08	1.7 1.5	1.3 1.1	1.0	0.5	1.7 1.5	0.3 0.1	0.1	0.1

OUTLINE VERSION	REFERENCES				EUROPEAN PROJECTION	ISSUE DATE
	IEC	JEDEC	EIAJ			
SOT666						01-01-04 01-08-27

NPN resistor-equipped transistors;  
R1 = 10 k $\Omega$ , R2 = 10 k $\Omega$

PEMH11

## DATA SHEET STATUS

DATA SHEET STATUS <sup>(1)</sup>	PRODUCT STATUS <sup>(2)</sup>	DEFINITIONS
Objective data	Development	This data sheet contains data from the objective specification for product development. Philips Semiconductors reserves the right to change the specification in any manner without notice.
Preliminary data	Qualification	This data sheet contains data from the preliminary specification. Supplementary data will be published at a later date. Philips Semiconductors reserves the right to change the specification without notice, in order to improve the design and supply the best possible product.
Product data	Production	This data sheet contains data from the product specification. Philips Semiconductors reserves the right to make changes at any time in order to improve the design, manufacturing and supply. Changes will be communicated according to the Customer Product/Process Change Notification (CPCN) procedure SNW-SQ-650A.

## Notes

1. Please consult the most recently issued data sheet before initiating or completing a design.
2. The product status of the device(s) described in this data sheet may have changed since this data sheet was published. The latest information is available on the Internet at URL <http://www.semiconductors.philips.com>.

## DEFINITIONS

**Short-form specification** — The data in a short-form specification is extracted from a full data sheet with the same type number and title. For detailed information see the relevant data sheet or data handbook.

**Limiting values definition** — Limiting values given are in accordance with the Absolute Maximum Rating System (IEC 60134). Stress above one or more of the limiting values may cause permanent damage to the device. These are stress ratings only and operation of the device at these or at any other conditions above those given in the Characteristics sections of the specification is not implied. Exposure to limiting values for extended periods may affect device reliability.

**Application information** — Applications that are described herein for any of these products are for illustrative purposes only. Philips Semiconductors make no representation or warranty that such applications will be suitable for the specified use without further testing or modification.

## DISCLAIMERS

**Life support applications** — These products are not designed for use in life support appliances, devices, or systems where malfunction of these products can reasonably be expected to result in personal injury. Philips Semiconductors customers using or selling these products for use in such applications do so at their own risk and agree to fully indemnify Philips Semiconductors for any damages resulting from such application.

**Right to make changes** — Philips Semiconductors reserves the right to make changes, without notice, in the products, including circuits, standard cells, and/or software, described or contained herein in order to improve design and/or performance. Philips Semiconductors assumes no responsibility or liability for the use of any of these products, conveys no licence or title under any patent, copyright, or mask work right to these products, and makes no representations or warranties that these products are free from patent, copyright, or mask work right infringement, unless otherwise specified.

# ***Philips Semiconductors – a worldwide company***

## **Contact information**

For additional information please visit <http://www.semiconductors.philips.com>. Fax: +31 40 27 24825

For sales offices addresses send e-mail to: [sales.addresses@www.semiconductors.philips.com](mailto:sales.addresses@www.semiconductors.philips.com).

© Koninklijke Philips Electronics N.V. 2001

SCA73

All rights are reserved. Reproduction in whole or in part is prohibited without the prior written consent of the copyright owner.

The information presented in this document does not form part of any quotation or contract, is believed to be accurate and reliable and may be changed without notice. No liability will be accepted by the publisher for any consequence of its use. Publication thereof does not convey nor imply any license under patent- or other industrial or intellectual property rights.

Printed in The Netherlands

613514/01/pp8

Date of release: 2001 Oct 22

Document order number: 9397 750 08626

*Let's make things better.*

**Philips  
Semiconductors**



**PHILIPS**