



Specification

1. FEATURES

- * Operating voltage : 2.5V - 5.5V.
- * Maximum CPU operating frequency : 4,194,304Hz at 2.7V.
- * Provide X'tal or RC oscillator. Both can run at high speed or slow speed(low power).
RC oscillator can detect internal or external resistor automatically.
- * Support 4M bytes program and data ROM. 256K bytes of them are built-in.
- * Built in 128 bytes RAM.
- * I/O port.
 - 24 I/O pins.
 - 8 of 24 pins with wake up function.
- * Six 8-bit timers.
- * Four channels for voice or melody processing.
- * Two DACs for voice or melody playing. Also, internal programming for single DAC playing.
- * One pair of PWM for voice or melody playing.
- * Eight interrupt sources :
 - NMI - Can be Watchdog Timer interrupt
 - IRQ0 - Timer 0 interrupt
 - IRQ1 - Timer 1 interrupt
 - IRQ2 - Timer 2 interrupt
 - IRQ3 - Timer 3 interrupt
 - IRQ4 - Timer 4 interrupt
 - IRQ5 - External interrupt
 - IRQ6 - Base Timer interrupt
 - IRQ7 - Timer 5 interrupt



2. PIN NAME ASSIGNMENT (Total: 62 pads)

<u>Pin Name</u>	<u>I/O</u>	<u>Function description</u>
1) PA0~PA7	I/O	8-bit I/O pins for port 1 with wake-up interrupt
2) PB0~PB7	I/O	8-bit I/O pins for port 2.
3) PC0~PC7	I/O	8-bit I/O pins for port 3. PC0-PC7 will changed to BANK0-BANK7 output if bank number is less than \$F0 or /DIROM=0.
4) A0-A13	O	Address bus.
5) D0-D7	I/O	Data bus.
6) CEB	O	External ROM chip enable.
7) /EXTROM	I	=0 Disable internal ROM. =1 Enable internal ROM if bank number is greater than \$EF.
8) DAC1	O	Current output port
9) DAC2	O	Current output port
10) PWM1	O	Voltage output port
11) PWM2	O	Voltage output port
12) VCOCAP	I/O	PLL used.
13) RXOSC	I	X' TAL or Ring osc pad
14) XOSC2	O	X' TAL pad
15) XR	I	Bias input for RC oscillator.
16) RESB	I	System reset pin; internal pull_high.
17) TESTB	I	Test pin; internal pull_high.
18) VDD	I	Power
19) VDD(PWM)	I	Power for PWM module
20) GND	I	Ground
21) GND(PWM)	I	Ground for PWM module

3. ADDRESS ARRANGEMENT

1) RAM

0000-007F for data storage.

0100-017F for stack and data area.. This area is overlapped with 0000-007F.

2) ROM

Max. 4M bytes for program and speech data area.

This area splits into 256 banks (0~255). There are 16k bytes for every bank. The last 16 banks (240-255) are built-in. If /DIROM=1 and bank number is greater than \$EF, then internal ROM is read. If /DIROM=0 or bank number is less than



\$F0, then external ROM is read.

Internal ROM related address shows below:

	BANK number	CPU address	Internal ROM address
bank 240	11110000	8000-BFFF	00000-03FFF
bank 241	11110001	8000-BFFF	04000-07FFF
bank 242	11110010	8000-BFFF	08000-0BFFF
.....			
bank 255	11111111	8000-BFFF	3C000-3FFFF
(bank 255	11111111	C000-FFFF	3C000-3FFFF)

If RESET or IRQ or NMI or Bank address=FF, ROM address will indicate to 3C000-3FFFF.

FFFF, FFFE - IRQ vector.

FFFD, FFFC - RES vector.

FFFB, FFFA - NMI vector for watchdog interrupt.

4. Register description

(1) Read and Write

00C0 IRQ flag register. Read & write.

Read function :

- Bit 0 : = 1 Timer 0 flag, IRQ 0.
- 1 : = 1 Timer 1 flag, IRQ 1
- 2 : = 1 Timer 2 flag, IRQ 2.
- 3 : = 1 Timer 3 flag, IRQ 3.
- 4 : = 1 Timer 4 flag, IRQ 4.
- 5 : = 1 External flag, IRQ5.
- 6 : = 1 Base Timer flag, IRQ6
- 7 : = 1 Timer 5 flag, IRQ7.

Write function :

- Bit 0 : = 0 Clear timer 0 flag.
- 1 : = 0 Clear timer 1 flag.
- 2 : = 0 Clear timer 2 flag.
- 3 : = 0 Clear timer 3 flag.
- 4 : = 0 Clear timer 4 flag.
- 5 : = 0 Clear External flag.
- 6 : = 0 Clear Base Timer flag.
- 7 : = 0 Clear timer 5 flag..



00C1 Port A data. Read & write.

00C2 Port A external interrupt high to low transient indicating flag. Read & write.
(Falling edge)

Read function:

Bit 0 : 1 Indicate PA0 transient from high to low FLAG.

Bit 1 : 1 Indicate PA1 transient from high to low FLAG.

Bit 2 : 1 Indicate PA2 transient from high to low FLAG.

Bit 3 : 1 Indicate PA3 transient from high to low FLAG.

Bit 4 : 1 Indicate PA4 transient from high to low FLAG.

Bit 5 : 1 Indicate PA5 transient from high to low FLAG.

Bit 6 : 1 Indicate PA6 transient from high to low FLAG.

Bit 7 : 1 Indicate PA7 transient from high to low FLAG.

* These flags will be cleared by clear external interrupt flag.

Write function:

Bit 0 : 0 Disable and clear PA0 transient high to low flag

Bit 1 : 0 Disable and clear PA1 transient high to low flag

Bit 2 : 0 Disable and clear PA2 transient high to low flag

Bit 3 : 0 Disable and clear PA3 transient high to low flag

Bit 4 : 0 Disable and clear PA4 transient high to low flag

Bit 5 : 0 Disable and clear PA5 transient high to low flag

Bit 6 : 0 Disable and clear PA6 transient high to low flag

Bit 7 : 0 Disable and clear PA7 transient high to low flag

* The default value for each bit is 0.

00C3 Port A external interrupt low to high transient indicating flag. Read & write
(Rising edge)

Read function:

Bit 0 : 1 Indicate PA0 transient from low to high flag.

Bit 1 : 1 Indicate PA1 transient from low to high flag.

Bit 2 : 1 Indicate PA2 transient from low to high flag.

Bit 3 : 1 Indicate PA3 transient from low to high flag.

Bit 4 : 1 Indicate PA4 transient from low to high flag.

Bit 5 : 1 Indicate PA5 transient from low to high flag.

Bit 6 : 1 Indicate PA6 transient from low to high flag.

Bit 7 : 1 Indicate PA7 transient from low to high flag.

* These flags will be cleared by clear external interrupt flag.



Write function:

Bit 0 : 0 Disable and clear PA0 transient low to high flag

Bit 1 : 0 Disable and clear PA1 transient low to high flag

Bit 2 : 0 Disable and clear PA2 transient low to high flag

Bit 3 : 0 Disable and clear PA3 transient low to high flag

Bit 4 : 0 Disable and clear PA4 transient low to high flag

Bit 5 : 0 Disable and clear PA5 transient low to high flag

Bit 6 : 0 Disable and clear PA6 transient low to high flag

Bit 7 : 0 Disable and clear PA7 transient low to high flag

* The default value for each bit is 0.

00C4 Port B data. Read & write.

00C5 Port C data. Read & write.

00CF Timer 5 data. Write only.

* After timer 5 been enabled, the timer will start to count down. When timer counts to 0, the timer will count from the initial value and IRQ7 will happen.

* If any bit of (\$00D9) is set to 1, then timer 5 IRQ will be disabled.

* Valid values are from 1 to 255. 0 is prohibited.

* Timer 5 input clock is system_clock.

* The time elapse = (\$00CF) / system_clock.

* The timer 5 can be used as carrier generator. The carrier frequency is (system clock) / (\$00CF) / 2

(2) Port definition

00D0 Set port A bit function. Write only.

* An '1' in this register will set the corresponding pin of port A as an output pin.

* The default value for each bit is 0.

00D1 Set port A pull-up resistor. Write only.

* An '1' in this register will enable the pull-up resistor of the corresponding pin of port A. But the pull-up resistor will be disabled if the pin is output low.

* The default value for each bit is 0.

00D5 Set port B bit function. Write only.



- * An '1' in this register will set the corresponding pin of port B as an output pin.
- * The default value for each bit is 0.

00D6 Set port B pull-up resistor. Write only.

- * An '1' in this register will enable the pull-up resistor of the corresponding pin of port B. But the pull-up resistor will be disabled if the pin is output low.
- * The default value for each bit is 0.

00D9 Port B bitwise output type function selection. Write only.

- Bit [7:0]= 0 set this pin as a buffer type output buffer.
- 0 : = 1 Carrier frequency is inserted while data=1
 - 1 : = 1 Carrier frequency is inserted while data=0
 - 2 : = 1 Carrier frequency is inserted while data=1
 - 3 : = 1 Carrier frequency is inserted while data=0
 - 4 : = 1 Carrier frequency is inserted while data=1
 - 5 : = 1 Carrier frequency is inserted while data=0
 - 6 : = 1 Carrier frequency is inserted while data=1
 - 7 : = 1 Carrier frequency is inserted while data=0
- * The default value for each bit is 0.

00DA Set port C bit function. Write only.

- * An '1' in this register will set the corresponding pin of port C as an output pin.
- * The default value for each bit is 0.

00DB Set port C pull-up resistor. Write only.

- * An '1' in this register will enable the pull-up resistor of the corresponding pin of port C. But the pull-up resistor will be disabled if the pin is output low.
- * The default value for each bit is 0.

00DD Clear watchdog timer. Write only.

Watchdog timer is about (System_clk/4)/128/256.

00DE IRQ selection. Write only.

- Bit 5: =0 : Normal IRQ vector
=1 : 7 level IRQ vectors.
6: =0 : Timer0 INT=IRQ



- =1 : Timer0 INT=NMI
- 7: =0 : Base Timer INT=IRQ
- =1 : Base Timer INT=NMI

Note : Please note that do not assign two NMI sources at the same time, otherwise the NMI source can not be identified in software.

00DF Time base control. Write only.

- Bit 0: =0 : Disable and reset base timer IRQ.
- =1 : Enable base timer IRQ
- 2-1: If Bit[3]=0
 - =00 : system_clock/1024(resettable)
 - =01 : system_clock/4096(resettable)
 - =10 : system_clock/16384(resettable)
 - =11 : system_clock/65536(resettable)
- If Bit[3]=1
 - =00 : 128Hz(resetable)
 - =01 : 32Hz(resetable)
 - =10 : 8Hz(resetable)
 - =11 : 2Hz(resetable)
- 3: =0 : base timer clock = system_clock
- =1 : base timer clock=32768Hz

(3) Control register

00E0 To enter standby mode. Write only.

00E1 To enter sleep mode. Write only.

In sleep mode, the main system oscillator will be stopped. So, all function are stopped and only external interrupt can wake up this chip.

00E3 Bank select register. Write only.

* The default bank value is FFH.

00E4 Audio Control register. Write only.

- Bit 0 : = 0 Disable DAC1 and DAC2.
- = 1 Enable DAC1 and DAC2.
- 1 : = 0 DAC1 and DAC2 is merged.
- = 1 DAC1 and DAC2 is separated.



- 2 : = 0 Disable PWM.
- = 1 Enable PWM
- 4-3 : If bit[5]=0
 - = 00 1.70mA(full) at 3v for each DAC
 - = 01 3.10mA(full) at 3v for each DAC
 - = 10 2.31mA(full) at 4.5v for each DAC
 - = 11 4.32mA(full) at 4.5v for each DAC
- If bit[5]=1
 - = 00 1.42mA(full) at 3v for each DAC
 - = 01 2.66mA(full) at 3v for each DAC
 - = 10 1.93mA(full) at 4.5v for each DAC
 - = 11 3.67mA(full) at 4.5v for each DAC
- 5 : = 0 Current option 0
- = 1 Current option 1(less than option_0 15%)

* The default value for each bit is 0.

00E5 Play mode control. Write only.

- Bit 0 : = 0 Channel_1 in voice mode.
- = 1 Channel_1 in melody mode. Timer 0 output to channel 1 and IRQ0 is disabled.
- 1 : = 0 Channel_2 in voice mode.
- = 1 Channel_2 in melody mode. Timer 1 output to channel 1 and IRQ0 is disabled.
- 2 : = 0 Channel_3 in voice mode.
- = 1 Channel_3 in melody mode. Timer 2 output to channel 1 and IRQ0 is disabled.
- 3 : = 0 Channel_4 be voice mode.
- = 1 Channel_4 be melody mode. Timer 3 output to channel 1 and IRQ0 is disabled.
- 4 : = 0 Channel_(1,2) and (3,4) is not the same.
- = 1 Channel_(1=2) latched by 1 and (3=4) latched by 3
- 5 : = 0 Channel_(1,2,3) is not the same.
- = 1 Channel_(1=2=3) latched by 1
- 6 : = 0 Channel_(1,3) is not the same.
- = 1 Channel_1=3) latched by 1
- 7 : = 0 Channel_(1,2,3,4) is not the same.
- = 1 Channel_(1=2=3=4) latched by 1

* The melody output frequency is the timer IRQ frequency divided by 2.

* The default value for each bit is 0.

00E6 Data for Channel_1. Write only.



00E7 Data for Channel_2. Write only.

00E8 Data for Channel_3. Write only.

00E9 Data for Channel_4. Write only.

00EA Volume control for DAC1. Write only.

Bit 3-0 : Volume of DAC1.

* The default value for each bit is 0.

00EB Volume control for DAC2. Write only.

Bit 3-0 : Volume of DAC2.

* The default value for each bit is 0.

00EC Volume control for PWM channel. Write only.

Bit 3-0 : Volume of PWM channel.

* The default value for each bit is 0.

00ED System clock generator. Write only.

Bit 0: System clock

	RC option	X' tal option
=0	4meg:	Defined by bit 7 & 6
=1	32k	32k

2: =0 Normal function.

=1 Speed up PLL by shorter timer constant in low pass filter.

3: =0 low gain for X' tal oscillator.

=1 high gain for X' tal odcillator

5-4: =x0 Normal function.

=01 Speed up by PLL for 5v mode(about 3.9v release).

=11 Speed up PLL for 3v mode(about 1.5v release).

[7:6] : For X' tal option only.

=00 System clock=32768Hz x 128(by PLL)

=01 System clock=32768Hz x 192(by PLL)

=1x System clock=32768Hz x 256(by PLL)

00EE Reset base timer. Write only.



(4) Timer definition

00F0 Timer Control register. Write only.

- Bit 0 : = 0 Disable timer 0.
 = 1 Enable timer 0.
- 1 : = 0 Disable timer 1.
 = 1 Enable timer 1.
- 2 : = 0 Disable timer 2.
 = 1 Enable timer 2.
- 3 : = 0 Disable timer 3.
 = 1 Enable timer 3.
- 4 : = 0 Disable timer 4.
 = 1 Enable timer 4.
- 5 : = 0 Disable timer 5.
 = 1 Enable timer 5.
- 6 : = 0 Enable WatchDog timer.
 = 1 Disable WatchDog timer.
- 7 : = 0 WatchDog to reset whole chip.
 = 1 WatchDog to generate NMI.

* The default value for each bit is 0.

00F1 Timer 0 source clock Control register. Write only.

- Bit 0000 : = 0000 Clock source use (system_clock).
- = 0001 Clock source use (system_clock/2).
- = 0010 Clock source use (system_clock/4).
- = 0011 Clock source use (system_clock/8).
- = 0100 Clock source use (system_clock/16).
- = 0101 Clock source use (system_clock/32).
- = 0110 Clock source use (system_clock/64).
- = 0111 Clock source use (system_clock/128).
- = 1000 Clock source use (system_clock/256).
- = 1001 Clock source use (system_clock/512).
- = 1010 Clock source use (system_clock/1024)(resetable).
- = 1011 Clock source use (system_clock/8192)(resetable).
- = 1100 Clock source use (system_clock/65536)(resetable).
- = 1101 Clock source use (P15).



= 1110 Clock source use (P16).

= 1111 Clock source use (P17).

* The default value is 0010.

00F2 Timer 1 source clock Control register. Write only.

Bit 0000 : = 0000 Clock source use (system_clock).

= 0001 Clock source use (system_clock/2).

= 0010 Clock source use (system_clock/4).

= 0011 Clock source use (system_clock/8).

= 0100 Clock source use (system_clock/16).

= 0101 Clock source use (system_clock/32).

= 0110 Clock source use (system_clock/64).

= 0111 Clock source use (system_clock/128).

= 1000 Clock source use (system_clock/256).

= 1001 Clock source use (system_clock/512).

= 1010 Clock source use (system_clock/1024)(resetable).

= 1011 Clock source use (system_clock/8192)(resetable).

= 1100 Clock source use (system_clock/65536)(resetable).

= 1101 Clock source use (P15).

= 1110 Clock source use (P16).

= 1111 Clock source use (P17).

* The default value is 0010.

00F3 Timer 2 source clock Control register. Write only.

Bit 0000 : = 0000 Clock source use (system_clock).

= 0001 Clock source use (system_clock/2).

= 0010 Clock source use (system_clock/4).

= 0011 Clock source use (system_clock/8).

= 0100 Clock source use (system_clock/16).

= 0101 Clock source use (system_clock/32).

= 0110 Clock source use (system_clock/64).

= 0111 Clock source use (system_clock/128).

= 1000 Clock source use (system_clock/256).

= 1001 Clock source use (system_clock/512).

= 1010 Clock source use (system_clock/1024)(resetable).

= 1011 Clock source use (system_clock/8192)(resetable).



- = 1100 Clock source use (system_clock/65536)(resetable).
- = 1101 Clock source use (P15).
- = 1110 Clock source use (P16).
- = 1111 Clock source use (P17).

* The default value is 0010.

00F4 Timer 3 source clock Control register. Write only.

- Bit 0000 :
- = 0000 Clock source use (system_clock).
 - = 0001 Clock source use (system_clock/2).
 - = 0010 Clock source use (system_clock/4).
 - = 0011 Clock source use (system_clock/8).
 - = 0100 Clock source use (system_clock/16).
 - = 0101 Clock source use (system_clock/32).
 - = 0110 Clock source use (system_clock64).
 - = 0111 Clock source use (system_clock/128).
 - = 1000 Clock source use (system_clock/256).
 - = 1001 Clock source use (system_clock/512).
 - = 1010 Clock source use (system_clock/1024)(resetable).
 - = 1011 Clock source use (system_clock/8192)(resetable).
 - = 1100 Clock source use (system_clock/65536)(resetable).
 - = 1101 Clock source use (P15).
 - = 1110 Clock source use (P16).
 - = 1111 Clock source use (P17).

* The default value is 0010.

00F5 Timer 4 source clock Control register. Write only.

- Bit 0000 :
- = 0000 Clock source use (system_clock).
 - = 0001 Clock source use (system_clock/2).
 - = 0010 Clock source use (system_clock/4).
 - = 0011 Clock source use (system_clock/8).
 - = 0100 Clock source use (system_clock/16).
 - = 0101 Clock source use (system_clock/32).
 - = 0110 Clock source use (system_clock64).
 - = 0111 Clock source use (system_clock/128).
 - = 1000 Clock source use (system_clock/256).
 - = 1001 Clock source use (system_clock/512).



- = 1010 Clock source use (system_clock/1024)(resetable).
- = 1011 Clock source use (system_clock/8192)(resetable).
- = 1100 Clock source use (system_clock/65536)(resetable).
- = 1101 Clock source use (P15).
- = 1110 Clock source use (P16).
- = 1111 Clock source use (P17).

* The default value is 1001.

00F6 Timer 0 data. Write only.

- * After timer 0 been enabled, the timer will start to count down. When timer counts to 0, the timer will count from the initial value and IRQ0 will happen.
- * Valid values are from 1 to 255. 0 is prohibited.
- * Timer 1 input clock is (\$00F1).
- * The time elapse = (\$00F6) / (\$00F1)

00F8 Timer 1 data. Write only.

- * After timer 1 been enabled, the timer will start to count down. When timer counts to 1, the timer will count from the initial value and IRQ1 will happen.
- * Valid values are from 1 to 255. 0 is prohibited.
- * Timer 1 input clock is (\$00F2).
- * The time elapse = (\$00F8) / (\$00F2)

00FA Timer 2 data. Write only.

- * After timer 2 been enabled, the timer will start to count down. When timer counts to 0, the timer will count from the initial value and IRQ2 will happen.
- * Valid values(\$00FA)/ are from 1 to 255. 0 is prohibited.
- * Timer 1 input clock is (\$00F3).
- * The time elapse = (\$00FA) / (\$00F3)

00FC Timer 3 data. Write only.

- * After timer 3 been enabled, the timer will start to count down. When timer counts to 0, the timer will count from the initial value and IRQ3 will happen.



- * Valid values are from 1 to 255. 0 is prohibited.
- * Timer 1 input clock is (\$00F4).
- * The time elapse = (\$00FC) / (\$00F4)

00FE Timer 4 data. Read and Write.

Read:

If timer_4 is disabled, read low 8 bit counter data.

Write:

- * After timer 4 been enabled, the timer will start to count down. When timer counts to 0, the timer will count from the initial value and IRQ4 will happen.
- * This timer data is used with \$00FF. Total is 12 bits
- * Valid values (\$00FF,\$00FE)/ are from 1 to 4095. 0 is prohibited.
- * Timer 4 input clock is (\$00F5).
- * The time elapse = (\$00FF,\$00FE) / (\$00F5)

00FF Timer 4 higher nibble data. Read and Write.

Read:

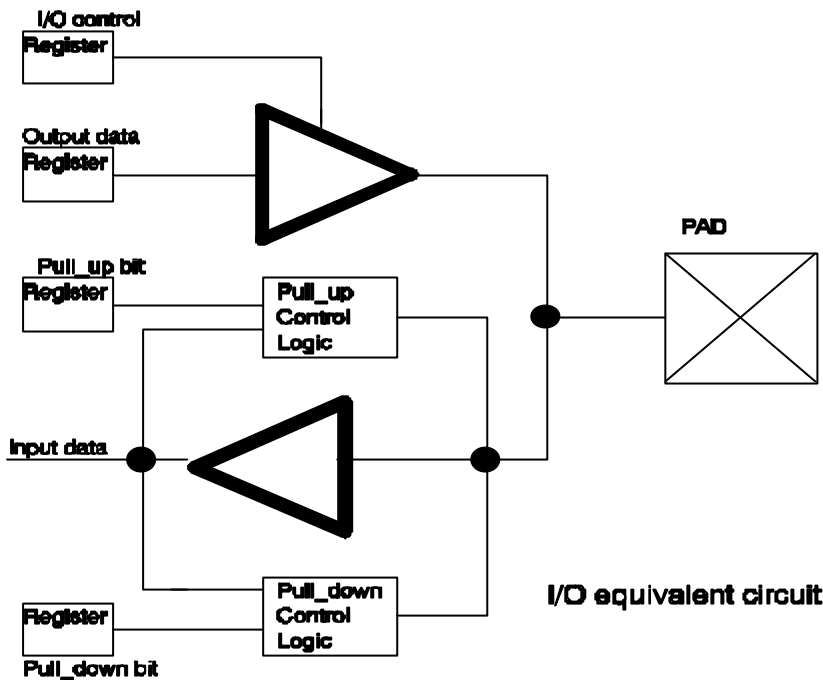
If timer_4 is disabled, read high 4 bit counter data.

5. DETALIS

- (1) Base timer clock source(sys_clk/1024, sys_clk/4096, sys_clk/16384, sys_clk/65536) and Timer clock source(sys_clk/1024, sys_clk/8192) is resetable by (\$00EE).
- (2) Once External INT flag is cleared. Both Falling and Rising edge INT flag are Cleared.



(3)



(4) If INT_0 or INT_5 is optioned to NMI, we also can see these flags from (\$00C0).

(5) For system clock changing: 4MHz to 32kHz or 32kHz to 4Mhz. After changed, needing 3 more clocks be pseudo clock.

(6) If channel(1,2,3,4) be melody mode, INT(0,1,2,3) will be tone generator.

(7) Timer data must write high nibble then low byte. If low byte first, the high nibble will be included after counting down to 0 then reload high nibble and low byte.

(8) DAC1 and DAC2 volume control is separated, even in merged(DAC1+DAC2) mode.

(9) Play mode control:

This can implement voice or melody mode for each channel. More than this, for weighting concerned, this chip can defined to (1+1+1+1) ,(1+1+2),(2+2),(1+3) channels. Channel_(1,2) derive to DAC1; channel_(3,4) derive to DAC2.

Channel_(1,2,3,4) derives to PWM port.

a. (1+1+1+1)



channel_1 can be melody or voice mode.
channel_2 can be melody or voice mode.
channel_3 can be melody or voice mode.
channel_4 can be melody or voice mode.

b. (1+1+2)

channel_1=channel_3 can be melody or voice mode.
(channel data and tone generator is assigned by channel_1, both channels' data and tone will be the same.)
channel_2 can be melody or voice mode.
channel_4 can be melody or voice mode.

c. (1+3)

channel_1=channel_2=channel_3 can be melody or voice mode.
(channel data and tone generator is assigned by channel_1, both channels' data and tone will be the same.)
channel_4 can be melody or voice mode.

d. (2+2)

channel_1=channel_2 can be melody or voice mode.
channel_3=channel_4 can be melody or voice mode.
(channel data and tone generator is assigned by channel_1, both channels' data and tone will be the same.)

(10) Ramp function implement

a. DAC output:

Conventionally, the voice data start from 80H. We need to ramp up the DAC from 00H to 80H in the beginning and ramp down the DAC from 80H to 00H in the end to prevent generating "pop" noise.

For melody function, an 80H offset should be added for the data. So, ramp-up (from 00H to 80H) and ramp-down (from 80H to 00H) functions are still needed. The data from 80H to FFH can be used to generate the melody envelope waveform. (FFH is maximum amplitude. 80H is minimum amplitude).

b. PWM output:

For PWM output, the ramp-up and ramp-down functions are not needed because they will generate noise. If the same routine is used to program DAC and PWM output, then enable the



PWM channel after ramp-up and disable PWM before ramp-down to prevent noise.

The data 80H to FFH can be used to generate envelope waveform. (FFH is maximum amplitude. 80H is minimum amplitude).

6. ABSOLUTE MAXIMUM RATINGS

Operating temperature	0 to 70
Storage temperature	-65 to 150
Supply voltage	7 V
Input voltage	-0.6 to Vdd+0.6 V



7. ELECTRICAL CHARACTERISTIC :

Parameter	Symbol	Condition	Min	Typ.	Max	Unit
Supply Voltage	Vdd		2.5	3.0	3.5	V
RC oscillation frequency	\emptyset_{sys}	Vdd=2.7V	400		800	Khz
Operating current	Idd	Vdd=3V, \emptyset_{sys} =4Mhz		1.5		mA
Standby current	Istdby	Vdd=3V, \emptyset_{sys} =4Mhz		1		mA
Sleep mode current	Islp	Vdd=3V			1	μ A
Input high voltage	Vih	Vdd=3.0V	2.0			V
Input low voltage	Vil	Vdd=3.0V	-0.6		0.8	V
Input high leakage current	Iih	Vih=Vdd			1	μ A
Input low leakage current	Iil	Vil=0			-5	μ A
Output high voltage	Voh	Ioh=-2mA	Vdd-0.4		Vdd	V
Output low voltage	Vol	Iol=4mA	0		0.4	V
Output high voltage (PWM1, PWM2)	Voh	Vdd=3V, Ioh=-60mA	Vdd-1		Vdd	V
Output low voltage (PWM1, PWM2)	Vol	Vdd=3V, Iol=75mA	0		1	V
AUD (D/A full scale)	Io	Vdd=3V, RI=100 OHM		-4.0		mA



Customer Information Sheet

1. Customer's Name : _____

2. Project title : _____

3. Syntek part number : _____ (will be filled by Syntek)

4. Package ----- () Chip () PDIP

5. Customer code :

Code form ----- () EPROM () file _____

Checksum ----- 00000-0FFFF _____H

10000-1FFFF _____H

20000-2FFFF _____H

30000-3FFFF _____H

00000-3FFFF _____H

6. Others :

Customer : _____ Date : __/__/__

Salesman : _____ Date : __/__/__