



STBV45

HIGH VOLTAGE FAST-SWITCHING NPN POWER TRANSISTOR

Table 1: Order Codes

Ordering Code	Marking	Package / Shipment
STBV45	BV45	TO-92 / Bulk
STBV45-AP	BV45	TO-92 / Ammopack

- HIGH VOLTAGE CAPABILITY
- LOW SPREAD OF DYNAMIC PARAMETERS
- MINIMUM LOT-TO-LOT SPREAD FOR RELIABLE OPERATION
- VERY HIGH SWITCHING SPEED

APPLICATIONS:

- COMPACT FLUORESCENT LAMPS (CFLS)

DESCRIPTION

The device is manufactured using High Voltage Multi Epitaxial Planar technology for high switching speeds and high voltage capability.

It uses a Cellular Emitter structure with planar edge termination to enhance switching speeds while maintaining the wide RBSOA.

The STBV series is designed for use in Compact Fluorescent Lamps.

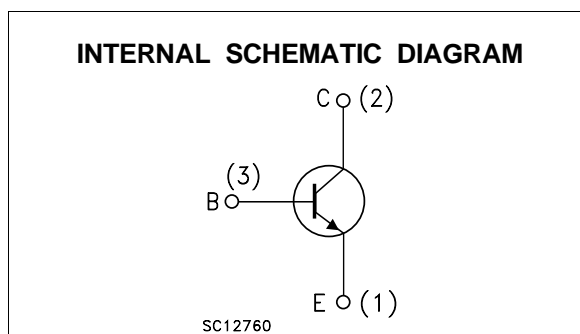
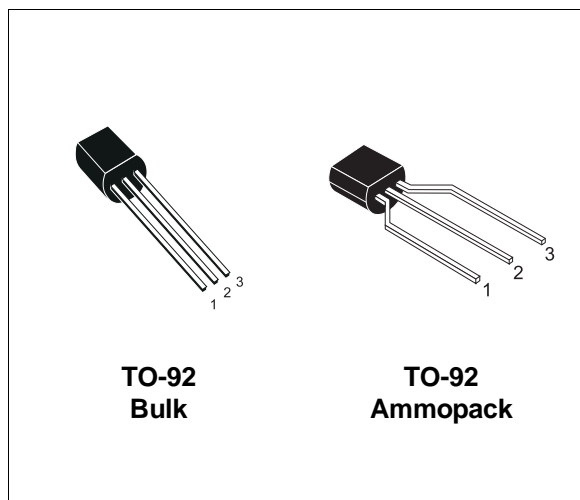


Table 2: Absolute Maximum Ratings

Symbol	Parameter	Value	Unit
V_{CES}	Collector-Emitter Voltage ($V_{BE} = 0$)	700	V
V_{CEO}	Collector-Emitter Voltage ($I_B = 0$)	400	V
V_{EBO}	Emitter-Base Voltage ($I_C = 0$)	9	V
I_C	Collector Current	0.75	A
I_{CM}	Collector Peak Current ($t_p < 5$ ms)	1.5	A
I_B	Base Current	0.4	A
I_{BM}	Base Peak Current ($t_p < 5$ ms)	0.75	A
P_{tot}	Total Dissipation at $T_{amb} = 25$ °C	0.95	W
T_{stg}	Storage Temperature	-65 to 150	°C
T_j	Max. Operating Junction Temperature	150	°C

Rev. 2

Table 3: Thermal Data

$R_{thj-amb}$	Thermal Resistance Junction-ambient	Max	131.6	°C/W
---------------	-------------------------------------	-----	-------	------

Table 4: Electrical Characteristics ($T_{case} = 25\text{ °C}$ unless otherwise specified)

Symbol	Parameter	Test Conditions		Min.	Typ.	Max.	Unit
I_{CEV}	Collector Cut-off Current ($V_{BE} = -1.5V$)	$V_{CE} = 700\text{ V}$				250	μA
I_{EBO}	Emitter Cut-off Current ($I_C = 0$)	$V_{EB} = 9\text{ V}$				1	mA
$V_{CEO(sus)*}$	Collector-Emitter Sustaining Voltage ($I_B = 0$)	$I_C = 1\text{ mA}$		400			V
$V_{CE(sat)*}$	Collector-Emitter Saturation Voltage	$I_C = 0.2\text{ A}$	$I_B = 40\text{ mA}$		0.2	0.5	V
		$I_C = 0.3\text{ A}$	$I_B = 75\text{ mA}$		0.3	1	V
		$I_C = 0.4\text{ A}$	$I_B = 135\text{ mA}$		0.4	1.5	V
$V_{BE(sat)*}$	Base-Emitter Saturation Voltage	$I_C = 0.2\text{ A}$	$I_B = 40\text{ mA}$			1	V
		$I_C = 0.3\text{ A}$	$I_B = 75\text{ mA}$			1.2	V
h_{FE*}	DC Current Gain	$I_C = 0.2\text{ A}$	$V_{CE} = 5\text{ V}$	10		30	
		$I_C = 0.4\text{ A}$	$V_{CE} = 5\text{ V}$	5		20	
t_f	INDUCTIVE LOAD Fall Time	$I_C = 0.2\text{ A}$ $I_{B1} = -I_{B2} = 40\text{ mA}$ (see figure 7)	$V_{clamp} = 300\text{ V}$ $L = 3\text{ mH}$		0.3		μs

* Pulsed: Pulse duration = 300 μs , duty cycle = 1.5 %

Figure 1: Safe Operating Area

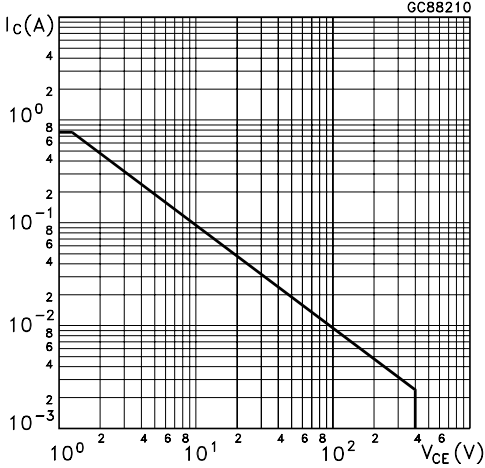


Figure 2: Derating Curve

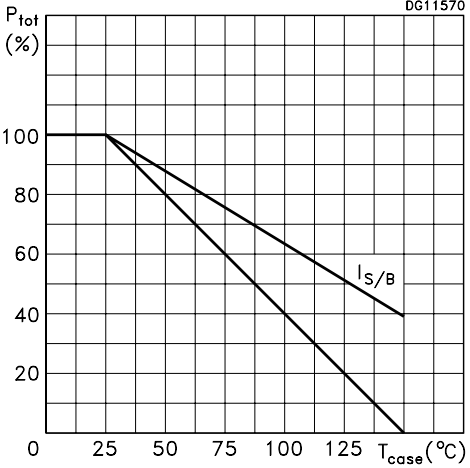


Figure 3: Collector Emitter Saturation Voltage

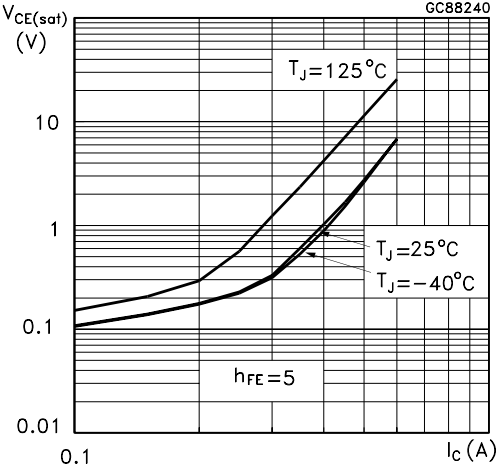


Figure 4: Base Emitter Saturation Voltage

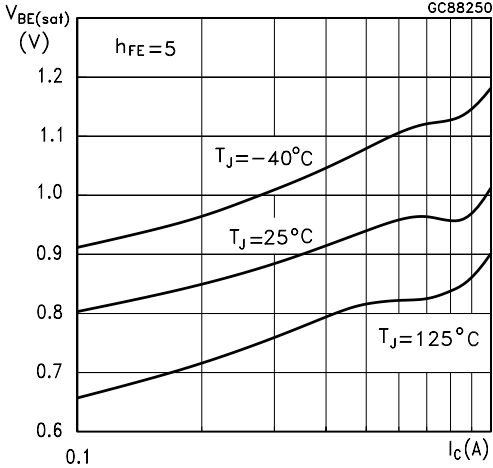


Figure 5: DC Current Gain

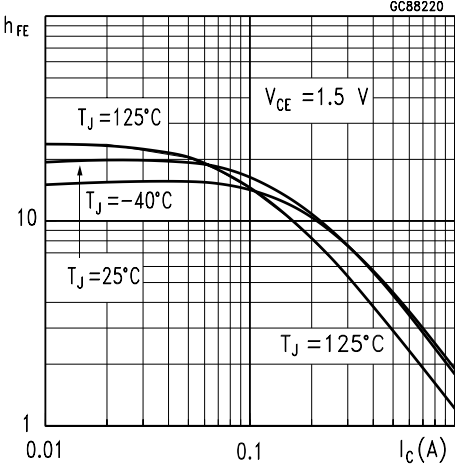


Figure 6: DC Current Gain

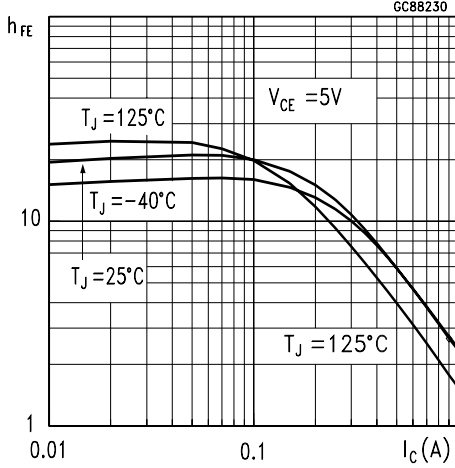
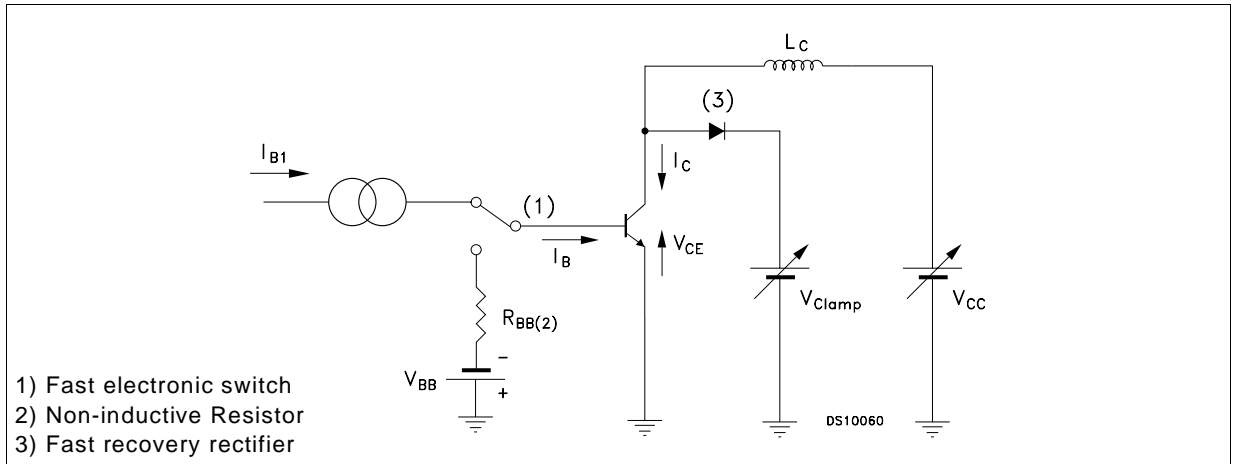
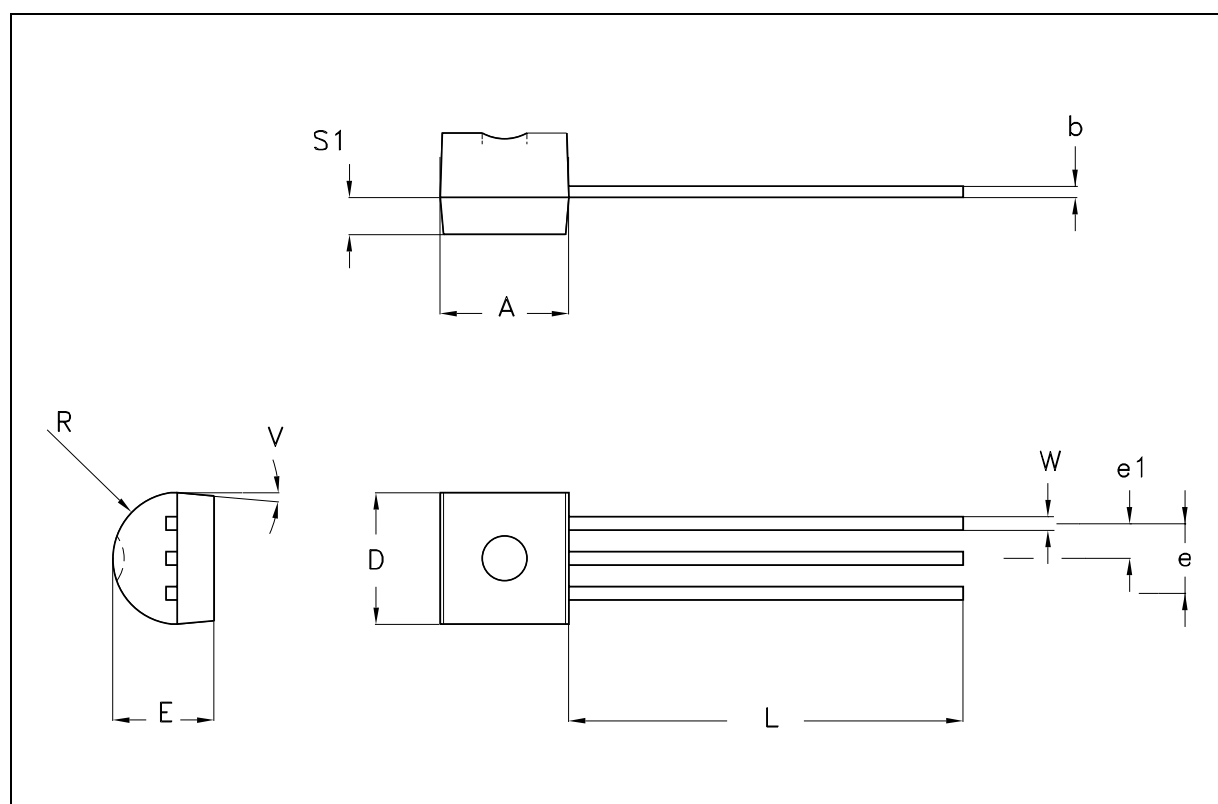


Figure 7: Inductive Load Switching Test Circuit.



TO-92 MECHANICAL DATA

DIM.	mm			inch		
	MIN.	TYP.	MAX.	MIN.	TYP.	MAX.
A	4.32		4.95	0.170		0.195
b	0.36		0.51	0.014		0.020
D	4.45		4.95	0.175		0.194
E	3.30		3.94	0.130		0.155
e	2.41		2.67	0.095		0.105
e1	1.14		1.40	0.045		0.055
L	12.70		15.49	0.500		0.609
R	2.16		2.41	0.085		0.094
S1	1.14		1.52	0.045		0.059
W	0.41		0.56	0.016		0.022
V	4 degree		6 degree	4 degree		6 degree



TO-92 AMMOPACK SHIPMENT (Suffix"-AP") MECHANICAL DATA

DIM.	mm			inch		
	MIN.	TYP.	MAX.	MIN.	TYP.	MAX.
A1			4.80			0.189
T			3.80			0.150
T1			1.60			0.063
T2			2.30			0.091
d			0.48			0.019
P0	12.50	12.70	12.90	0.492	0.500	0.508
P2	5.65	6.35	7.05	0.222	0.250	0.278
F1,F2	2.44	2.54	2.94	0.096	0.100	0.116
delta H	-2.00		2.00	-0.079		0.079
W	17.50	18.00	19.00	0.689	0.709	0.748
W0	5.70	6.00	6.30	0.224	0.236	0.248
W1	8.50	9.00	9.25	0.335	0.354	0.364
W2			0.50			0.020
H	18.50		20.50	0.728		0.807
H0	15.50	16.00	16.50	0.610	0.630	0.650
H1			25.00			0.984
D0	3.80	4.00	4.20	0.150	0.157	0.165
t			0.90			0.035
L			11.00			0.433
l1	3.00			0.118		
delta P	-1.00		1.00	-0.039		0.039

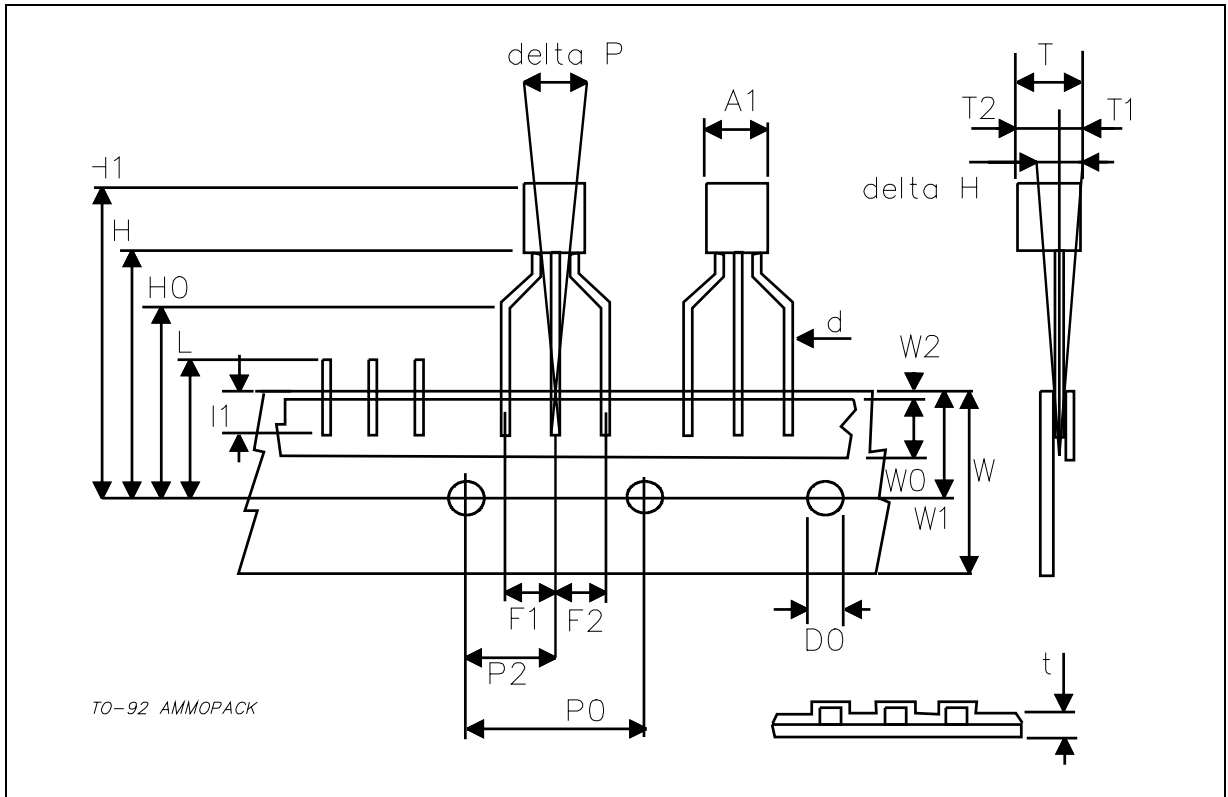


Table 5: Revision History

Date	Revision	Description of Changes
6 July 2004	2	Updated the V_{CE} Maximum Rating value from 600V to 700V

Information furnished is believed to be accurate and reliable. However, STMicroelectronics assumes no responsibility for the consequences of use of such information nor for any infringement of patents or other rights of third parties which may result from its use. No license is granted by implication or otherwise under any patent or patent rights of STMicroelectronics. Specification mentioned in this publication are subject to change without notice. This publication supersedes and replaces all information previously supplied. STMicroelectronics products are not authorized for use as critical components in life support devices or systems without express written approval of STMicroelectronics.

The ST logo is a registered trademark of STMicroelectronics.

All other names are the property of their respective owners.

© 2004 STMicroelectronics – All Rights reserved

STMicroelectronics GROUP OF COMPANIES

Australia - Belgium - Brazil - Canada - China - Czech Republic - Finland - France - Germany - Hong Kong - India - Israel - Italy - Japan - Malaysia - Malta - Morocco - Singapore - Spain - Sweden - Switzerland - United Kingdom - United States of America.

<http://www.st.com>