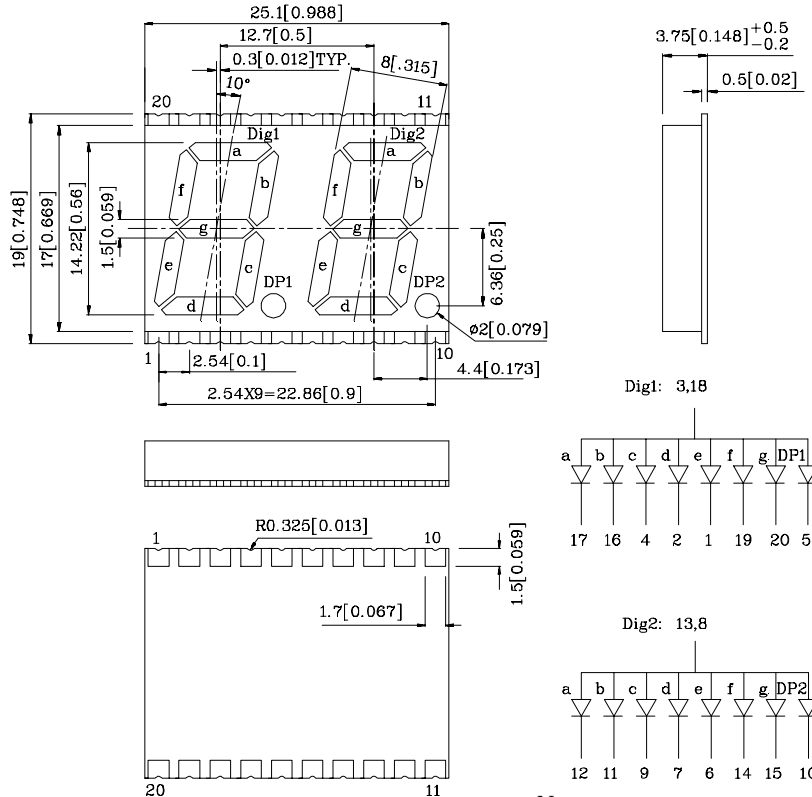


SURFACE MOUNT DISPLAY



XZDUW14A2

Email : sales@us.sunled.com
Web Site : www.sunled.com



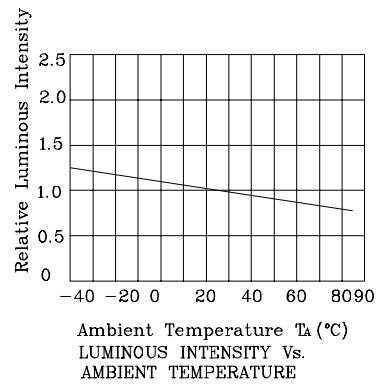
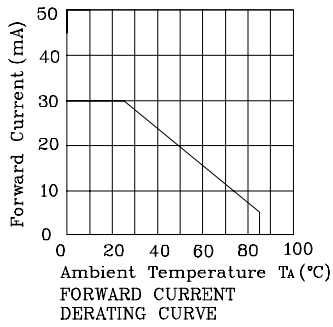
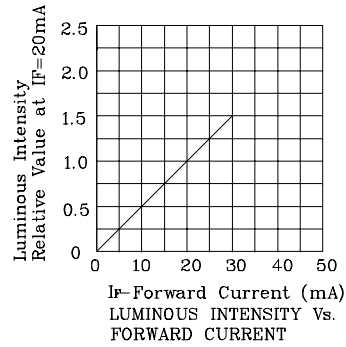
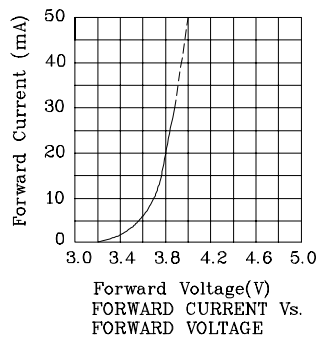
Notes:

1. All dimensions are in millimeters (inches).
2. Tolerance is $\pm 0.25(0.01)$ unless otherwise noted.

Absolute maximum ratings ($T_A=25^\circ\text{C}$)		UW (GaN)	Unit
Reverse voltage	V_R	5	V
Forward current	I_F	30	mA
Forward current (peak) 1/10Duty cycle 0.1ms pulse width	i_{FS}	150	mA
Power dissipation	P_T	105	mW
Operating temperature	T_A	-40 ~ +85	°C
Storage temperature	T_{stg}	-40 ~ +85	

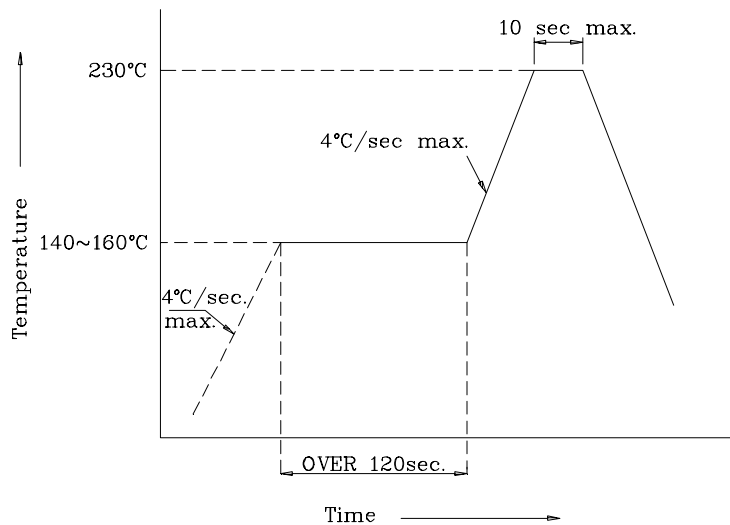
Operating Characteristics ($T_A=25^\circ\text{C}$)		UW (GaN)	Unit
Forward voltage (typ.) ($I_F=20\text{mA}$)	V_F	3.8	V
Forward voltage (max.) ($I_F=20\text{mA}$)	V_F	4.5	V
Reverse current ($V_R=5\text{V}$)	I_R	10	uA
Chromaticity coordinates (typ.)	X	0.33	
	Y	0.34	
Capacitance($V_F=0\text{V}, f=1\text{MHZ}$)	C	100	PF

Part Number	Emitting Color	Emitting Material	Luminous Intensity ($I_F=20\text{mA}$) ucd		Description
			min.	typ.	
XZDUW14A2	White	GaN	12000	29600	Common Anode,Rt.Hand Decimal

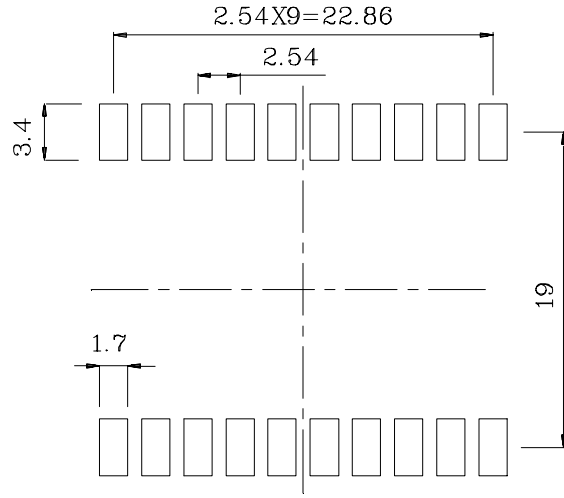


XZDUW14A2

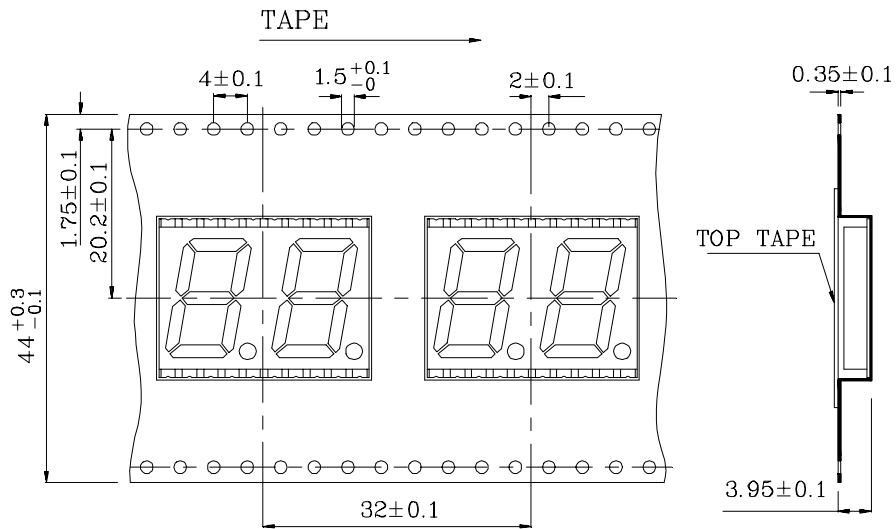
❖ SMT Reflow Soldering Instructions



❖ Recommended Soldering Pattern (Units : mm, Tolerance : ±0.15)



❖ Tape Specification (Units : mm)



PACKAGE : 400PCS / REEL.