

## 2.1x0.7 mm SMD CHIP LED LAMP

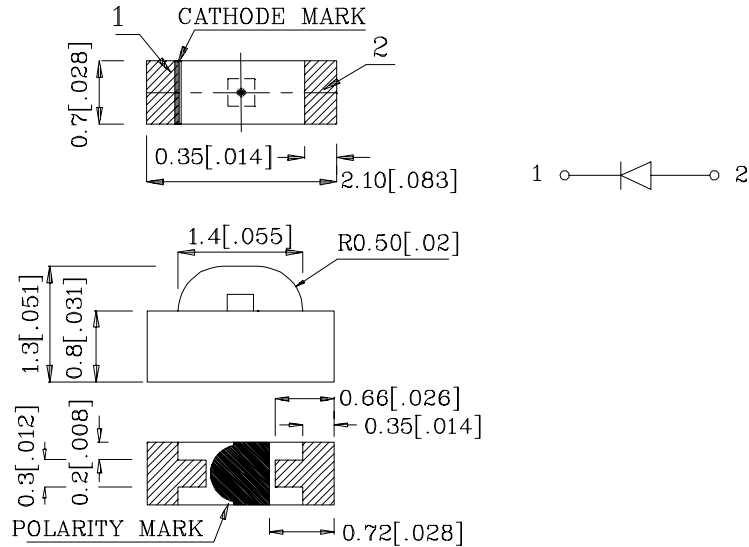


# SUN LED

XZMYK65W

Email : sales@us.sunled.com

Web Site : www.sunled.com



### Notes:

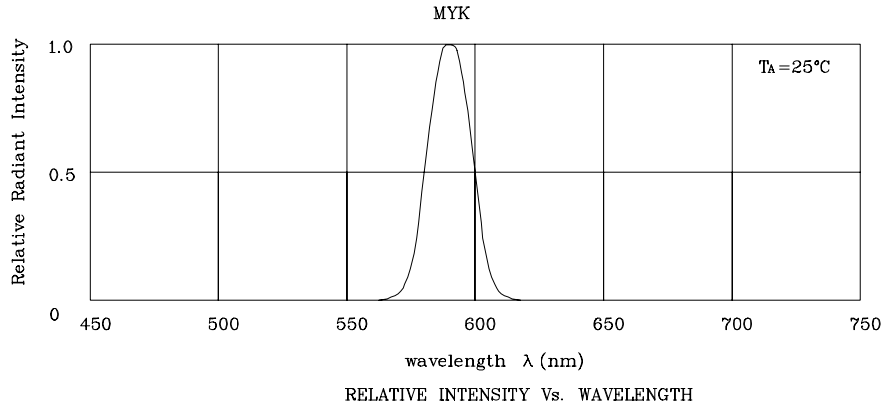
1. All dimensions are in millimeters (inches).
2. Tolerance is  $\pm 0.15(0.006)$  unless otherwise noted.

Absolute maximum ratings ( $T_A=25^\circ\text{C}$ )		MYK (InGaAlP)	Unit
Reverse voltage	$V_R$	5	V
Forward current	$I_F$	30	mA
Forward current (peak) 1/10Duty cycle 0.1ms pulse width	$i_{FS}$	175	mA
Power dissipation	$P_T$	125	mW
Operating temperature	$T_A$	-40 ~ +85	$^\circ\text{C}$
Storage temperature	$T_{stg}$		

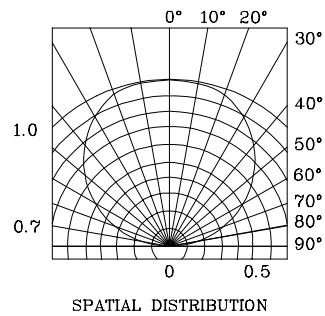
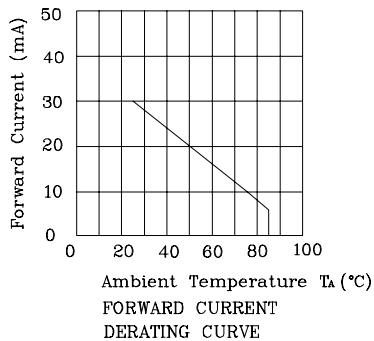
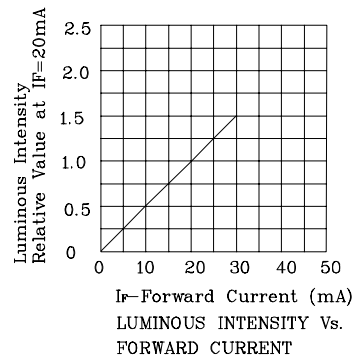
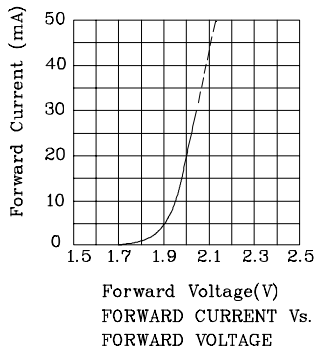
Operating Characteristics ( $T_A=25^\circ\text{C}$ )		MYK (InGaAlP)	Unit
Forward voltage (typ.) ( $I_F=20\text{mA}$ )	$V_F$	2.0	V
Forward voltage (max.) ( $I_F=20\text{mA}$ )	$V_F$	2.5	V
Reverse current ( $V_R=5\text{V}$ )	$I_R$	10	$\mu\text{A}$
Wavelength at peak emission ( $I_F=20\text{mA}$ )	$\lambda_{\text{peak}}$	590	nm
Wavelength at Dominate emission ( $I_F=20\text{mA}$ )	$\lambda_D$	590	nm
Spectral Line half-width ( $I_F=20\text{mA}$ )	$\Delta\lambda$	20	nm
Capacitance ( $V_F=0\text{V}$ , $f=1\text{MHz}$ )	C	20	pF

Part Number	Emitting Color	Emitting Material	Lens-color	Luminous Intensity ( $I_F=20\text{mA}$ ) mcd		Wavelength nm $\lambda_P$	Viewing Angle $2\theta_{1/2}$
				min.	typ.		
XZMYK65W	Yellow	InGaAlP	Water Clear	18	55	590	$120^\circ$

**XZMYK65W**

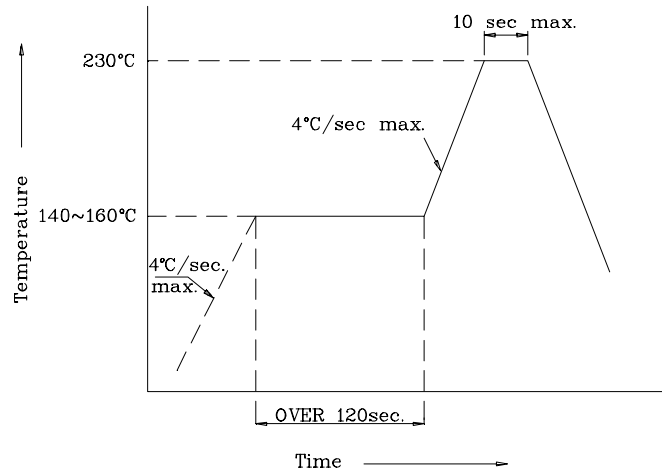


**◆MYK**

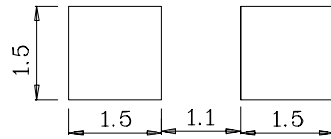


**XZMYK65W**

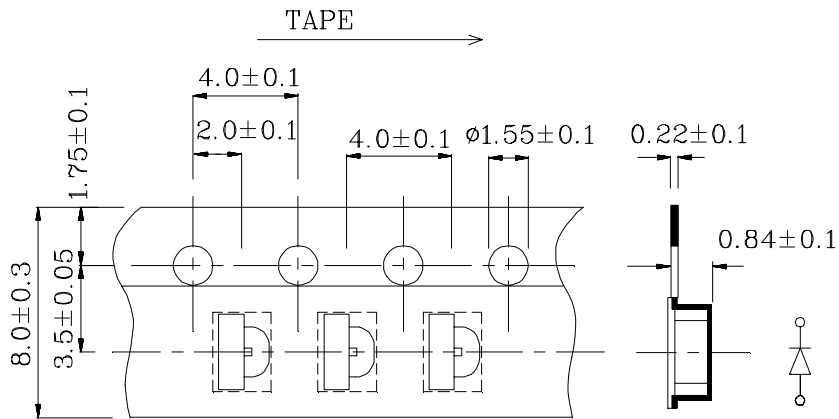
**❖SMT Reflow Soldering Instructions**



**❖Recommended Soldering Pattern (Units : mm; Tolerance : ±0.1)**



**❖Tape Specification (Units : mm)**



PACKAGE : 2000PCS / REEL.