

### 3.2x1.6mm SMD CHIP LED LAMP

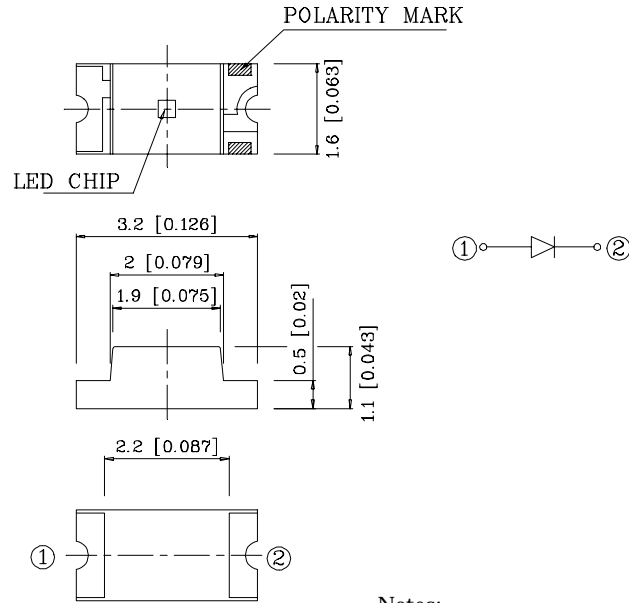


# SUN LED

XZUB55W-4

Email : sales@us.sunled.com

Web Site : www.sunled.com



Notes:

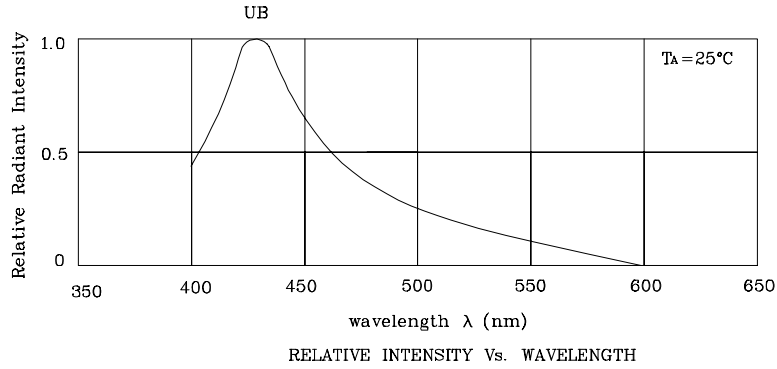
1. All dimensions are in millimeters (inches).
2. Tolerance is  $\pm 0.2(0.0079)$  unless otherwise noted.

Absolute maximum ratings ( $T_A=25^\circ\text{C}$ )		UB (GaN)	Unit
Reverse voltage	$V_R$	5	V
Forward current	$I_F$	30	mA
Forward current (peak) 1/10Duty cycle 0.1ms pulse width	$i_{FS}$	150	mA
Power dissipation	$P_T$	105	mW
Operating temperature	$T_A$	-40 ~ +85	°C
Storage temperature	$T_{stg}$	-40 ~ +85	

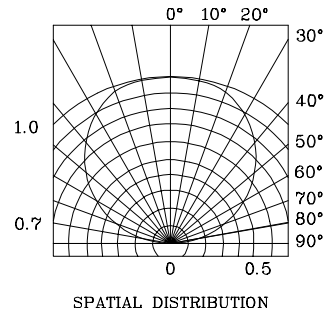
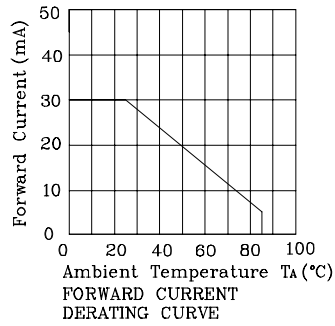
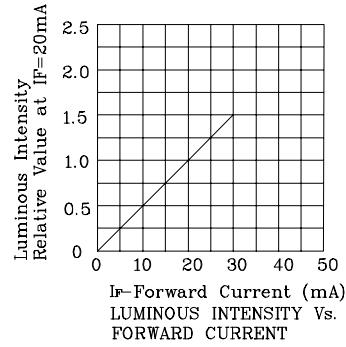
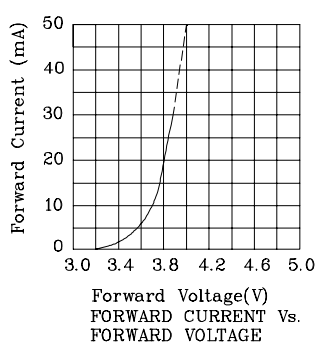
Operating Characteristics ( $T_A=25^\circ\text{C}$ )		UB (GaN)	Unit
Forward voltage (typ.) ( $I_F=20\text{mA}$ )	$V_F$	3.8	V
Forward voltage (max.) ( $I_F=20\text{mA}$ )	$V_F$	4.5	V
Reverse current ( $V_R=5\text{V}$ )	$I_R$	10	$\mu\text{A}$
Wavelength at peak emission ( $I_F=20\text{mA}$ )	$\lambda_{peak}$	430	nm
Wavelength at Dominate emission ( $I_F=20\text{mA}$ )	$\lambda_D$	466	nm
Spectral Line half-width ( $I_F=20\text{mA}$ )	$\Delta\lambda$	60	nm
Capacitance ( $V_F=0\text{V}$ , $f=1\text{MHz}$ )	C	100	pF

Part Number	Emitting Color	Emitting Material	Lens-color	Luminous Intensity ( $I_F=20\text{mA}$ ) mcd		Wavelength nm $\lambda_P$	Viewing Angle $2\theta_{1/2}$
				min.	typ.		
XZUB55W-4	Blue	GaN	Water Clear	2.6	7	430	120°

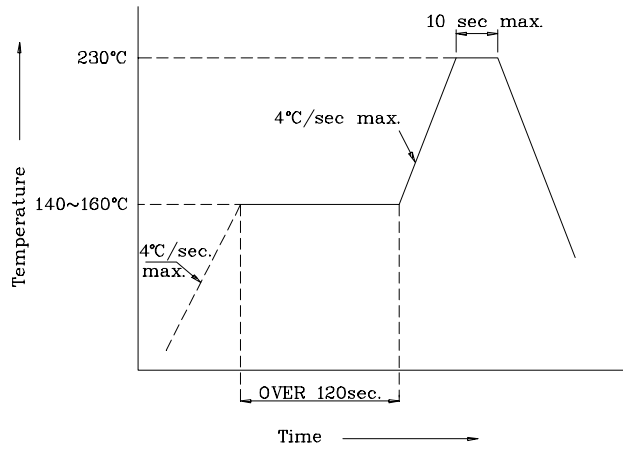
**XZUB55W-4**



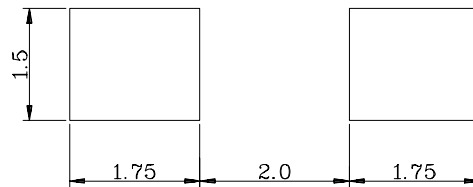
**❖UB**



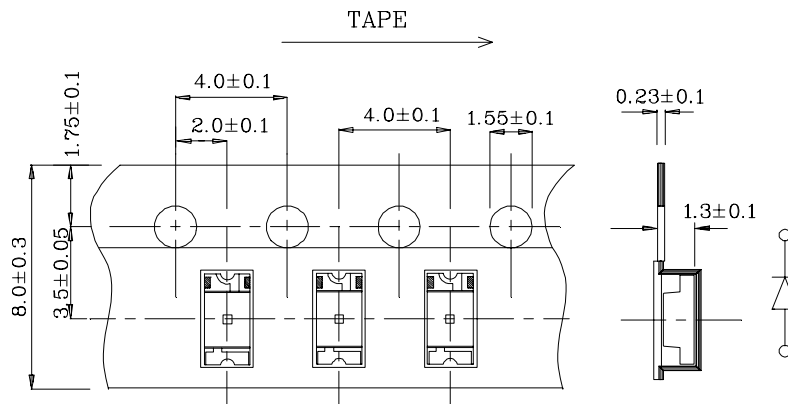
**XZUB55W-4**  
**❖SMT Reflow Soldering Instructions**



**❖Recommended Soldering Pattern (Units: mm ; Tolerance: ± 0.1)**



**❖Tape Specification (Units : mm)**



PACKAGE : 2000PCS / REEL.