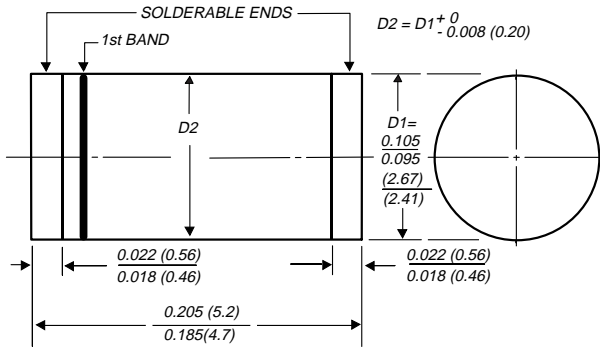




# Surface Mount Glass Passivated Zeners

Zener Voltage 6.2 to 91V  
Steady State Power 1.0W

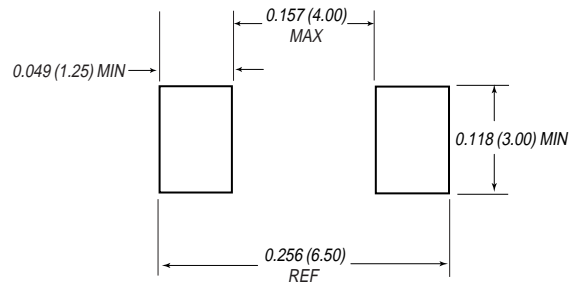
DO-213AB



1st band denotes type and positive end (cathode)

Dimensions in inches and (millimeters)

## Mounting Pad Layout



## Mechanical Data

**Case:** JEDEC DO-213AB molded plastic over glass passivated junction

**Terminals:** Solder plated, solderable per MIL-STD-750, Method 2026

**Polarity:** Red band denotes Zener diode and positive end (cathode)

**Mounting Position:** Any

**Weight:** 0.0046oz., 0.116g

**Packaging codes/options:**

26/5K per 13" Reel (12mm tape), 60K/box

46/1.5K per 7" Reel (12mm tape), 30K/box

## Features

- Plastic package has Underwriters Laboratory Flammability Classification 94V-0
- For surface mounted applications
- Glass passivated chip junction
- Low zener impedance
- Low regulation factor
- High temperature soldering guaranteed: 250°C/10 seconds at terminals

## Maximum Ratings and Thermal Characteristics (T<sub>A</sub> = 25°C unless otherwise noted)

Operating junction and storage temperature range (T<sub>J</sub>, T<sub>STG</sub>) -55°C to +150°C

Type	Nominal Zener Voltage at I <sub>ZT</sub> (Note 1) V <sub>Z</sub> (Volts)	Test Current I <sub>ZT</sub> (mA)	Maximum Dynamic Impedance			Maximum DC Reverse Leakage Current		Maximum Zener Current (Note 2) I <sub>ZM</sub> (mA <sub>pk</sub> )	Maximum Forward Voltage at 200mA V <sub>F</sub> (V)
			Z <sub>T</sub> at I <sub>ZT</sub> (Ω)	Z <sub>k</sub> at I <sub>Zk</sub> (Ω)	I <sub>Zk</sub> (mA)	I <sub>R</sub> (μA)	V <sub>R</sub> (V)		
			GLL4735	6.2	41.0	2.0	700		
GLL4736	6.8	37.0	3.5	700	1.0	10.0	4.0	660.0	1.2
GLL4737	7.5	34.0	4.0	700	0.5	10.0	5.0	605.0	1.2
GLL4738	8.2	31.0	4.5	700	0.5	10.0	6.0	550.0	1.2
GLL4739	9.1	28.0	5.0	700	0.5	10.0	7.0	500.0	1.2
GLL4740	10	25.0	7.0	700	0.25	10.0	7.6	454.0	1.2
GLL4741	11	23.0	8.0	700	0.25	5.0	8.4	414.0	1.2
GLL4742	12	21.0	9.0	700	0.25	5.0	9.1	380.0	1.2
GLL4743	13	19.0	10.0	700	0.25	5.0	9.9	344.0	1.2
GLL4744	15	17.0	14.0	700	0.25	5.0	11.4	305.0	1.2

**Notes:** (1) Standard voltage tolerance is ±10%, Suffix A = ±5%

(2) Surge current is a non-repetitive, 8.3ms pulse width square wave or equivalent sine-wave superimposed on I<sub>ZT</sub> per JEDEC Method

(3) Maximum steady state power dissipation is 1.0 watt at T<sub>T</sub> = 75°C



## Maximum Ratings and Thermal Characteristics (Con't.) (T<sub>A</sub> = 25°C unless otherwise noted)

Operating junction and storage temperature range: T<sub>J</sub>, T<sub>STG</sub>: -55°C to +150°C

Type	Nominal Zener Voltage at I <sub>ZT</sub> (Note 1) V <sub>Z</sub> (Volts)	Test Current I <sub>ZT</sub> (mA)	Maximum Dynamic Impedance			Maximum DC Reverse Leakage Current		Maximum Zener Current (Note 2) I <sub>ZM</sub> (mA <sub>pk</sub> )	Maximum Forward Voltage at 200mA V <sub>F</sub> (V)
			Z <sub>ZT</sub> at I <sub>ZT</sub> (Ω)	Z <sub>ZK</sub> at I <sub>ZK</sub> (Ω)	I <sub>ZK</sub> (mA)	I <sub>R</sub> (μA)	V <sub>R</sub> (V)		
GLL4745	16	15.5	16.0	700	0.25	5.0	12.2	285.0	1.2
GLL4746	18	14.0	20.0	750	0.25	5.0	13.7	250.0	1.2
GLL4747	20	12.5	22.0	750	0.25	5.0	15.2	225.0	1.2
GLL4748	22	11.5	23.0	750	0.25	5.0	16.7	205.0	1.2
GLL4749	24	10.5	25.0	750	0.25	5.0	18.2	190.0	1.2
GLL4750	27	9.5	35.0	750	0.25	5.0	20.6	170.0	1.2
GLL4751	30	8.5	40.0	1000	0.25	5.0	22.8	150.0	1.2
GLL4752	33	7.5	45.0	1000	0.25	5.0	25.1	135.0	1.2
GLL4753	36	7.0	50.0	1000	0.25	5.0	27.4	125.0	1.2
GLL4754	39	6.5	60.0	1000	0.25	5.0	29.7	115.0	1.2
GLL4755	43	6.0	70.0	1500	0.25	5.0	32.7	110.0	1.2
GLL4756	47	5.5	80.0	1500	0.25	5.0	35.8	95.0	1.2
GLL4757	51	5.0	95.0	1500	0.25	5.0	38.8	90.0	1.2
GLL4758	56	4.5	110.0	2000	0.25	5.0	42.6	80.0	1.2
GLL4759	62	4.0	125.0	2000	0.25	5.0	47.1	70.0	1.2
GLL4760	68	3.7	150.0	2000	0.25	5.0	51.7	65.0	1.2
GLL4761	75	3.3	175.0	2000	0.25	5.0	56.0	60.0	1.2
GLL4762	82	3.0	200.0	3000	0.25	5.0	62.2	55.0	1.2
GLL4763	91	2.8	250.0	3000	0.25	5.0	69.2	50.0	1.2

**Notes:**

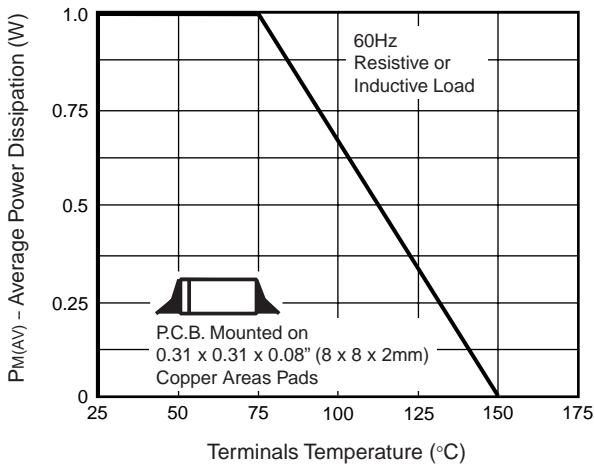
(1) Standard voltage tolerance is ±10%, Suffix A = ±5%

(2) Surge current is a non-repetitive, 8.3ms pulse width square wave or equivalent sine-wave superimposed on I<sub>ZT</sub> per JEDEC Method

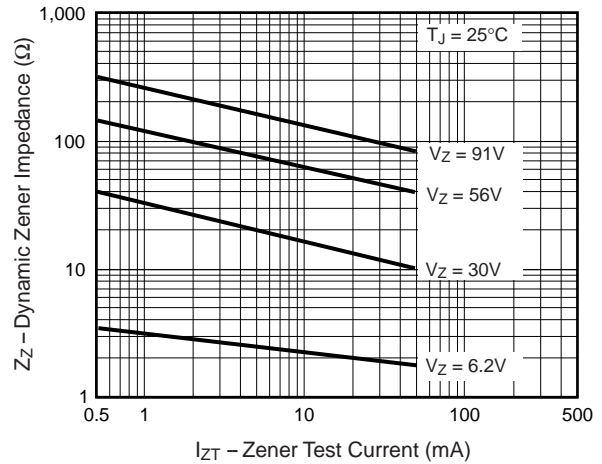
(3) Maximum steady state power dissipation is 1.0 watt at T<sub>T</sub> = 75°C

## Ratings and Characteristic Curves ( $T_A = 25^\circ\text{C}$ unless otherwise noted)

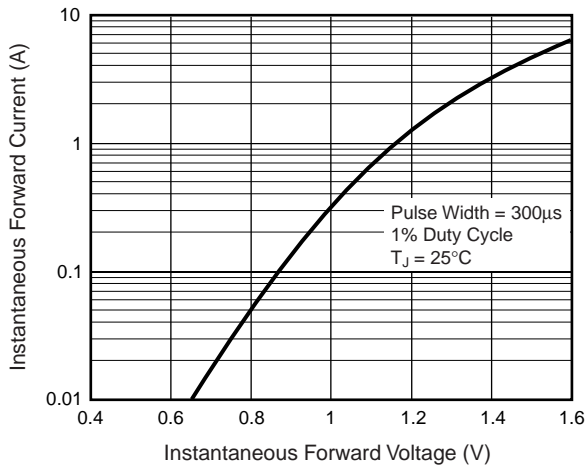
**Fig. 1 – Maximum Continuous Power Dissipation**



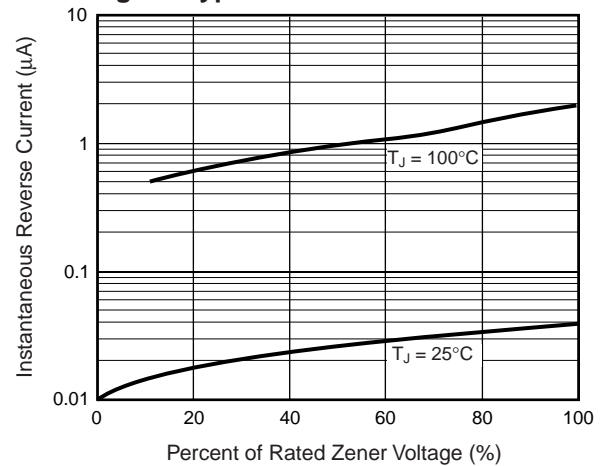
**Fig. 2 – Typical Zener Impedance**



**Fig. 3 – Typical Instantaneous Forward Characteristics for GLL4763**



**Fig. 4 – Typical Reverse Characteristics**



**Fig. 5 – Typical Temperature Coefficients**

