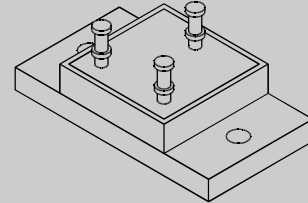


200 V - 1,000 V Positive Center Tap

20.0 A - 25.0 A Forward Current

70 ns - 3000 ns Recovery Time

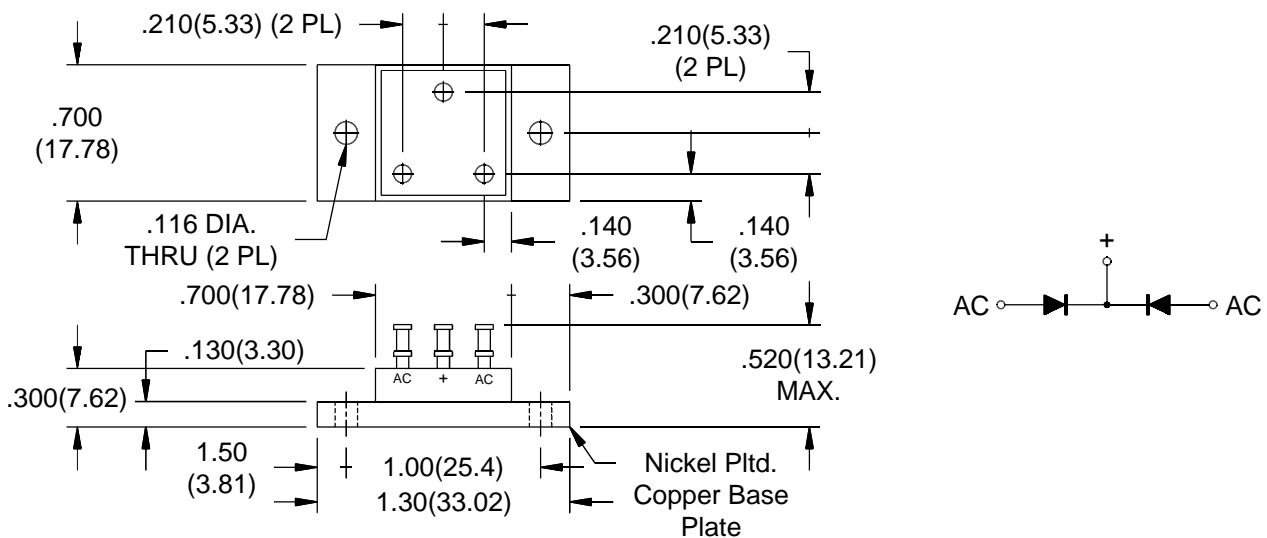
LTI202TP - LTI210TP
LTI202FTP - LTI210FTP
LTI202UFTP-LTI210UFTP



ELECTRICAL CHARACTERISTICS AND MAXIMUM RATINGS

Part Number	Working Reverse Voltage (V _{rwm})	Average Rectified Current @TC (I _o)		Reverse Current @ V _{rwm} (I _r)		Forward Voltage (V _f)		1 Cycle Surge Current tp=8.3ms (I _{fsm})	Repetitive Surge Current (I _{frm})	Reverse Recovery Time (1) (T _{rr})	Thermal Impd. θ _{J-C}
		55°C	100°C	25°C	100°C	25°C		25°C	25°C	25°C	
	Volts	Amps	Amps	µA	µA	Volts	Amps	Amps	Amps	ns	°C/W
LTI202TP	200	25.0	18.0	2.0	50	1.3	6.0	80	20	3000	1.5
LTI206TP	600	25.0	18.0	2.0	50	1.3	6.0	80	20	3000	1.5
LTI210TP	1000	25.0	18.0	2.0	50	1.3	6.0	80	20	3000	1.5
LTI202FTP	200	20.0	15.0	2.0	50	1.7	6.0	80	20	150	1.5
LTI206FTP	600	20.0	15.0	2.0	50	1.7	6.0	80	20	150	1.5
LTI210FTP	1000	20.0	15.0	2.0	50	1.7	6.0	80	20	150	1.5
LTI202UFTP	200	20.0	15.0	2.0	50	1.7	6.0	80	20	70	1.5
LTI206UFTP	600	20.0	15.0	2.0	50	1.7	6.0	80	20	70	1.5
LTI210UFTP	1000	20.0	15.0	2.0	50	1.7	6.0	80	20	70	1.5

(1)T_{rr} Testing: I_f=0.5A, I_r=1.0A, I_{rr}=0.25A *Op. Temp. & Stg. Temp. = -55°C to +150°C Isolation Voltage: 2000V



Dimensions: In. (mm) • All temperatures are ambient unless otherwise noted. • Data subject to change without notice.



VOLTAGE MULTIPLIERS INC.
 8711 W. Roosevelt Ave.
 Visalia, CA 93291

TEL 559-651-1402
 FAX 559-651-0740
www.voltagemultipliers.com

LTI202TP - LTI210TP • LTI202FTP - LTI210FTP • LTI202UFTP - LTI210UFTP

