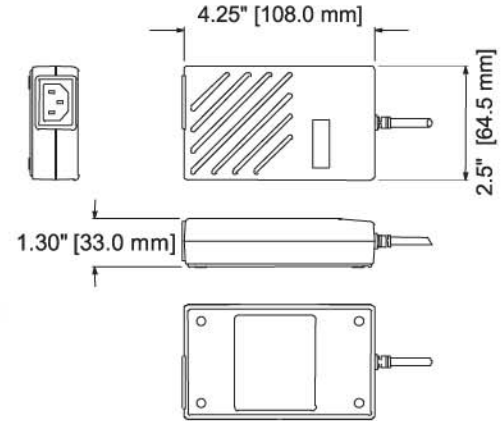


MW 24 Series

24 Watt Medical Grade Power Supply

- Wide Range AC Input
- Fully Regulated DC Output
- High Efficiency
- Output Floating
- Medical Grade Approval
- Also Available in White
- 5 Year Warranty



SPECIFICATIONS

INPUT

| | | | |
|-----------------|--------------------------------|--------|--------|
| Voltage | 100 - 240 VAC | | |
| Current | 0.43 Amp @ 115 VAC | | |
| Frequency | 47 - 63 Hz | | |
| Max. Earth | Test Voltage | Normal | Single |
| Leakage current | 132 VAC 60 Hz | 100 uA | 200 uA |
| | 264 VAC 60 Hz | 200 uA | 400 uA |
| Input connector | 3-pin IEC 320 input receptacle | | |

OUTPUT

| | |
|--------------------------|----------------------------------|
| Total regulation | < +/- 5% |
| Set point | < +/- 3% at 60% load |
| Hold up time | 20 ms min at full load, 115 VAC |
| Transient response | 2 ms for 50% to 100% load change |
| Over voltage protection | Built-in |
| Over current protection | Built-in |
| Short circuit protection | Pulsing mode, auto recovery |
| Ripple/noise (Vp-p) | +/- 1% (20 MHz bandwidth) |
| Output connector | Barrel type (5.5 x 2.5 x 9.5 mm) |

POLARITY



ENVIRONMENTAL

| | |
|-----------------------|-----------------|
| Operating temperature | 0° C to 40° C |
| Storage temperature | -55° C to 85° C |
| Weight | 0.45 lbs |

SAFETY

cRUus
 UL 60601-1
 CSA C22.2 No. 601.1-M90
 CB per IEC 60601-1
 CE marked to LVD
 Class I

EMI/EMC

| | |
|-----------|---|
| Emissions | CISPR11 and FCC Part 15, Class B EN61000-3-2, -3 |
| Immunity | EN61000-4-2, -3, -4, -5, -6, -8, -11 |

| Model No. | Volt | Power | Current | Eff@115VAC (Min) |
|------------------|------|-------|---------|------------------|
| MW2412-760-NC-BK | 12V | 24W | 2.0A | 80% |
| MW2415-760-NC-BK | 15V | 24W | 1.6A | 80% |
| MW2418-760-NC-BK | 18V | 24W | 1.33A | 80% |
| MW2424-760-NC-BK | 24V | 24W | 1.0A | 80% |