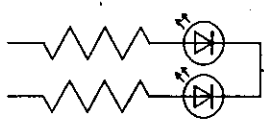
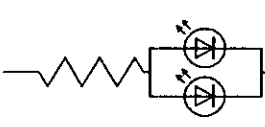
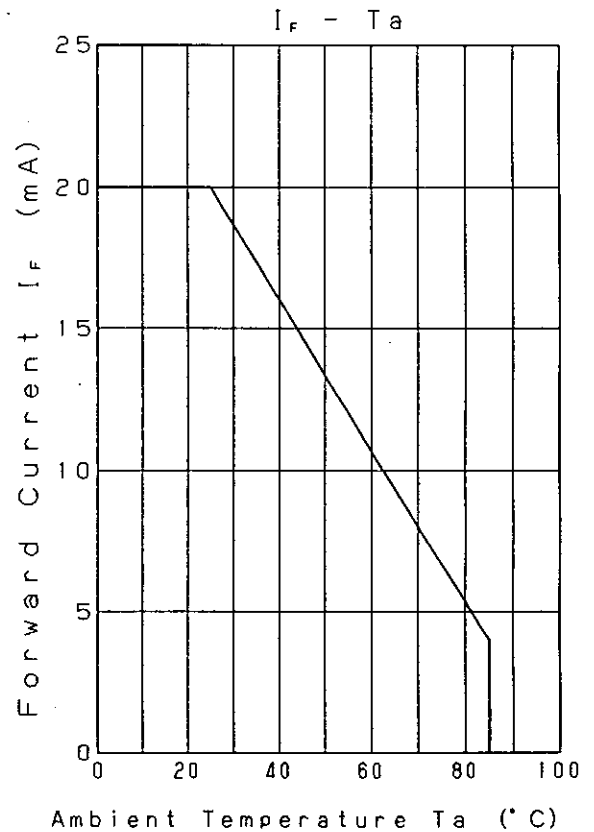
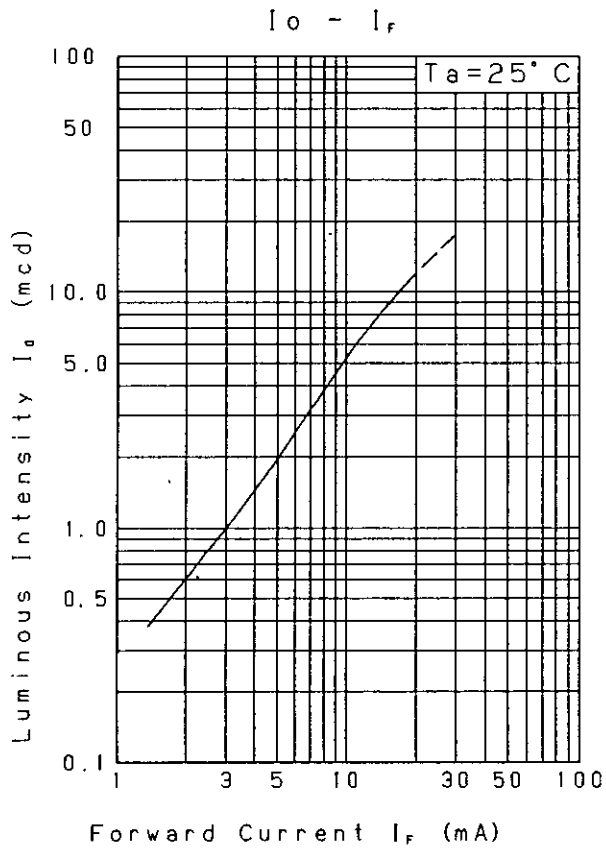
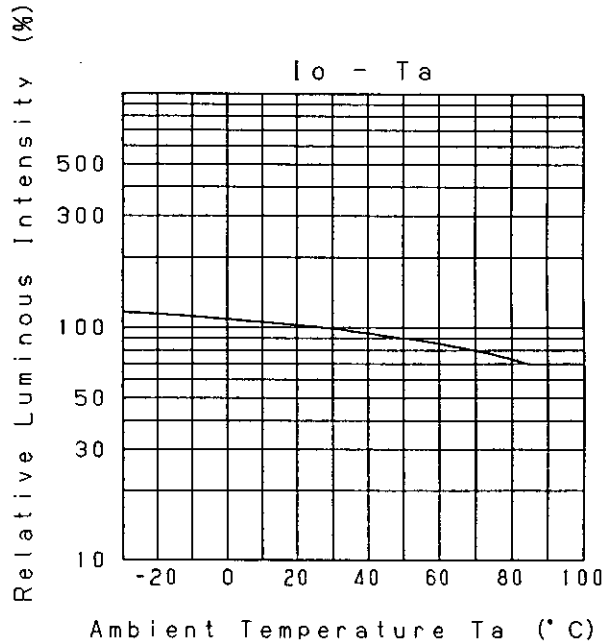
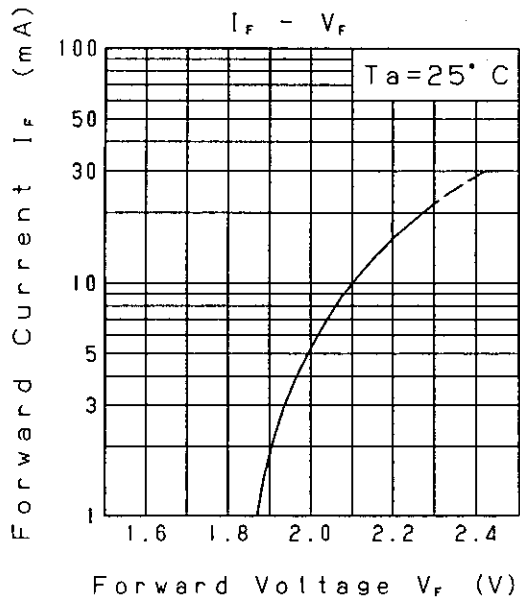


Approved	Checked	Designed	DEVELOPMENT SPECIFICATION				TEMPORARY	
		T. Takata	P/N: LNJ318C84RA1					
TYPE			Green Light Emitting Diode					
APPLICATION			Indicators					
MATERIAL			GaP					
OUTLINE			Attached					
ABSOLUTE MAXIMUM RATINGS			P	$\pm 1 I_{FP}$	$I_{FDC}$	$V_R$	Topr	Tsig
			60	60	20	4	-30~+85	-40~+100
			mW	mA	mA	V	°C	°C
CONDITION			$T_a = 25 \pm 3^\circ\text{C}$					
Test Specification								
Item	Symbol	Condition	Typ	Limit		Unit		
				Min	Max			
Forward Voltage	$V_F$	$I_F = 10\text{mA}$	2.1		2.6	V		
Reverse Leakage Current	$I_R$	$V_R = 4\text{V}$			10	$\mu\text{A}$		
Luminous Intensity #2	$I_O$	$I_F = 10\text{mA DC}$	5.2	2.8		mcd		
Peak Emission Wavelength	$\lambda_p$	$I_F = 10\text{mA DC}$	560			nm		
Spectral Line Half Width	$\Delta\lambda$	$I_F = 10\text{mA DC}$	25			nm		
<p>*1. The Condition of <math>I_{FP}</math> is duty 10%, Pulse width 1 ms</p> <p>*2. Tolerance of luminous intensity: <math>\pm 20\%</math>.</p>								
NOTE								
<p>★1. Please contact the Panasonic local office if you design at low current (below 1mA DC) or pulse current operation and have any questions.</p> <p>★2. Soldering conditions... Refer to Handling note.</p> <p>★3. Compositions of the lead ... Cu/Ni/Au plating</p> <p>★4. Circuit to operate LED.</p>								
								
(A)								
			(B)			<p>(A) Recommended circuit.</p> <p>(B) The difference of brightness between the LED could be found due to the <math>V_F</math> characteristics of each LED.</p>		
Nov. 7. 2001								

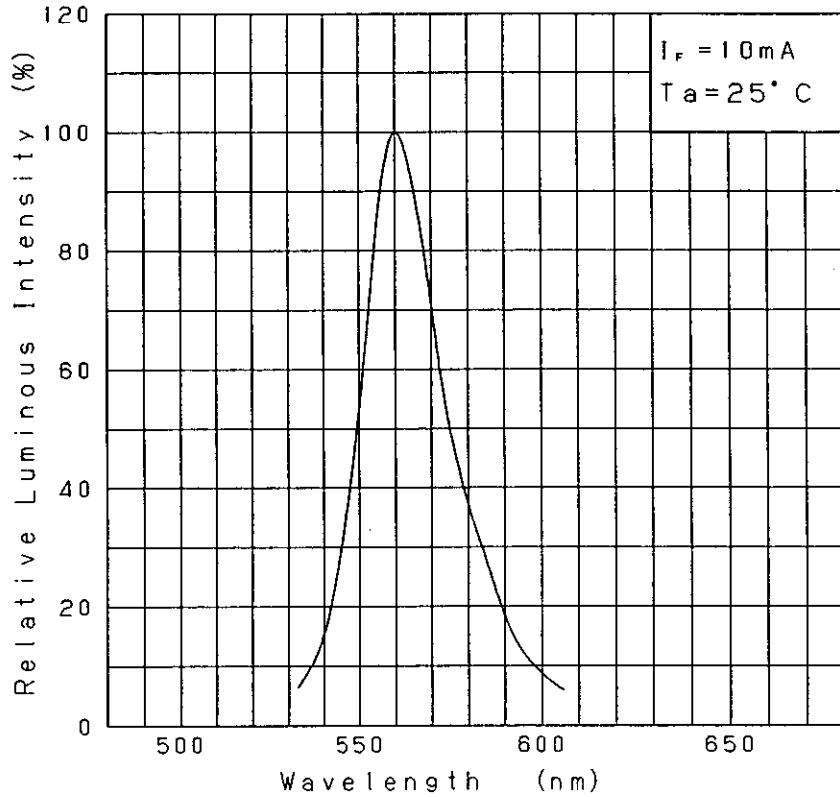
Approved	Checked	Designed	DEVELOPMENT SPECIFICATION	TEMPORARY
		T. Takata		



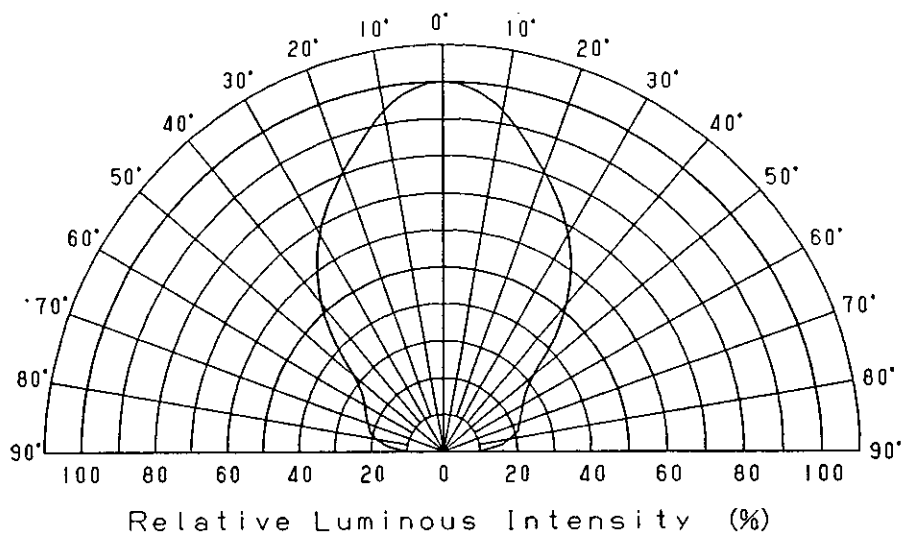
Nov. 7. 2001			

Approved	Checked	Designed	DEVELOPMENT SPECIFICATION	TEMPORARY
		T. Takata		

Relative Luminous Intensity  
Wavelength Characteristics



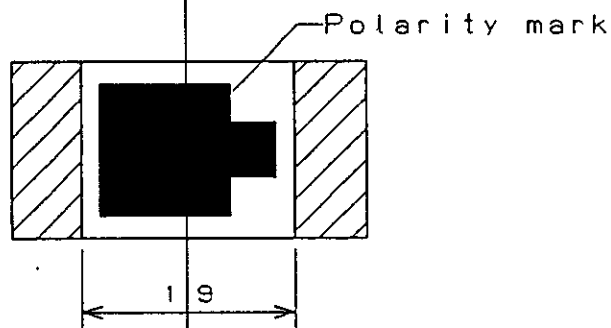
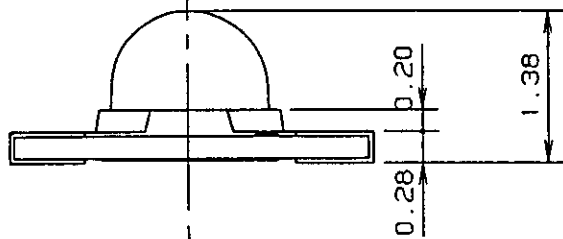
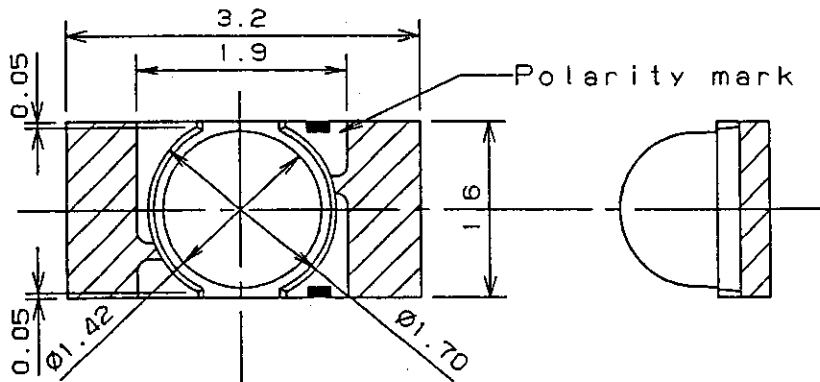
Directive Characteristics



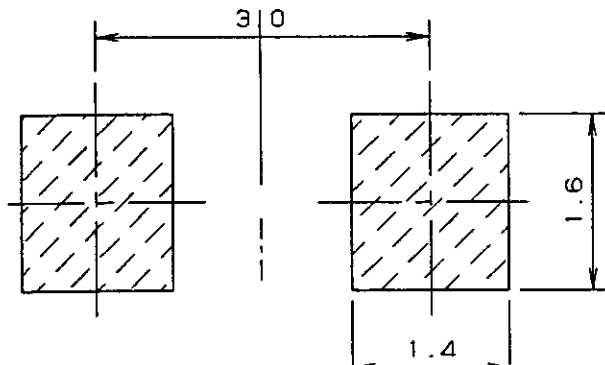
Nov. 7. 2001		
--------------	--	--

Approved	Checked	Designed	DEVELOPMENT SPECIFICATION (OUTLINE)	TEMPORARY
		T. Tabata		

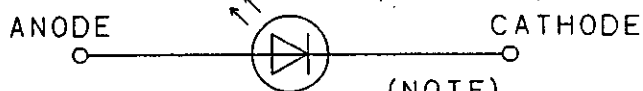
Outline



Recommended Land Layout



Polarity



(NOTE)

1. Unit: mm
2. Tolerance unless specified is  $\pm 0.15$ .
3. indicate Au terminal.

Nov. 7. 2001			
--------------	--	--	--