

Approved	Checked	Designed	DEVELOPMENT SPECIFICATION	P/N: LNJ618C8WRA1	TEMPORARY
		<i>T. Tabata</i>			

T Y P E	Pure Green Light Emitting Diode					
APPLICATION	Indicators					
MATERIAL	GaN					
OUTLINE	Attached					
ABSOLUTE MAXIMUM RATINGS	P	*I _{FP}	I _{FDC}	V _R	Topr	Tstg
	40	50	10	5	-25~+85	-30~+100
	mW	mA	mA	V	°C	°C
CONDITION	Ta=25±3°C					

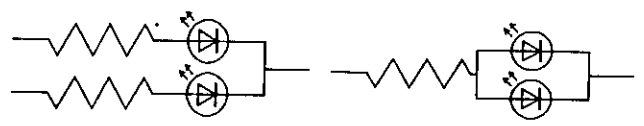
Test Specification

I t e m	Symbol	C o n d i t i o n	Typ	Limit		Unit
				Min	Max	
Forward Voltage	V _F	I _F = 5mA	3.0		3.7	V
Reverse Leakage Current	I _R	V _R = 5V			10	μA
Luminous Intensity *2	I _O	I _F = 5mA DC	85	45.3		mcd
Peak Emission Wavelength	λ _p	I _F = 5mA DC	525			nm
Spectral Line Half Width	Δλ	I _F = 5mA DC	45			nm

- *1. The Condition of I_{FP} is duty 10%, Pulse width 1 ms
- *2. Tolerance of luminous intensity: ±20%.

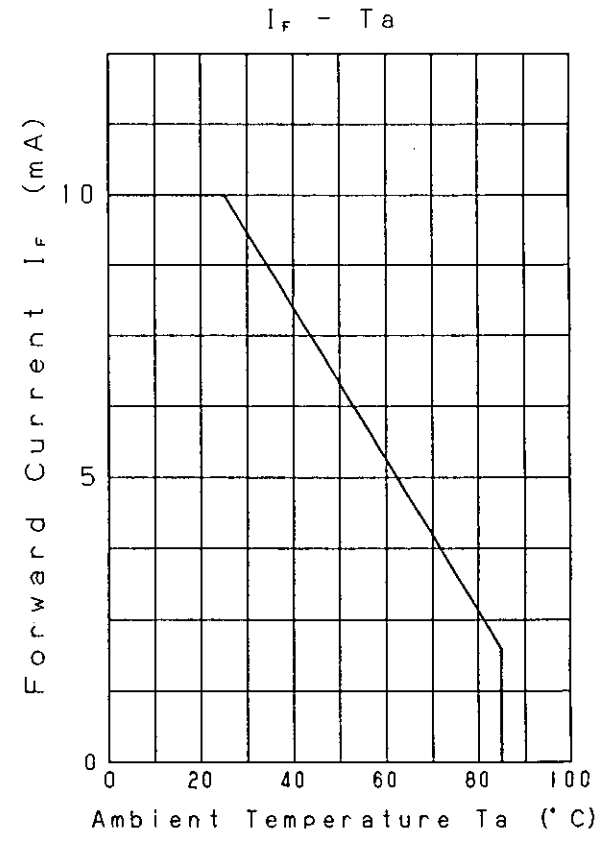
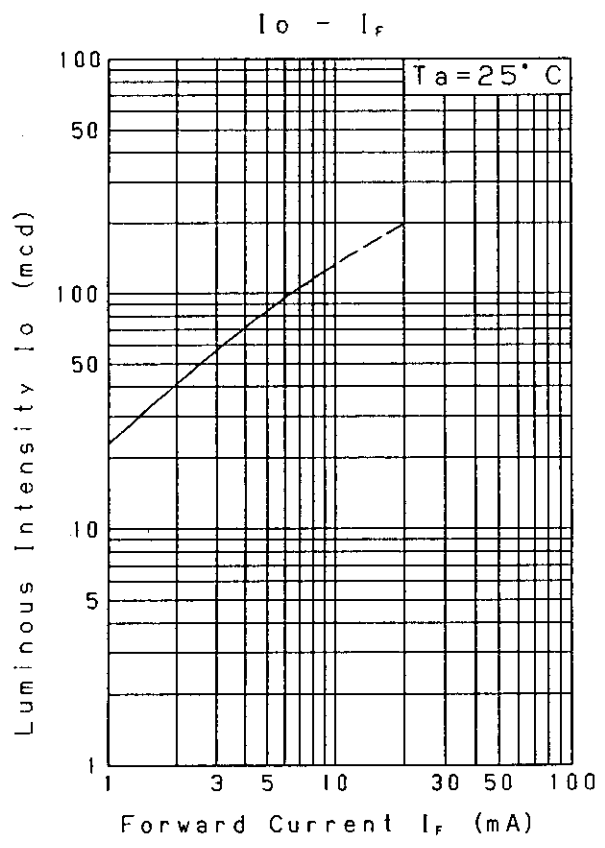
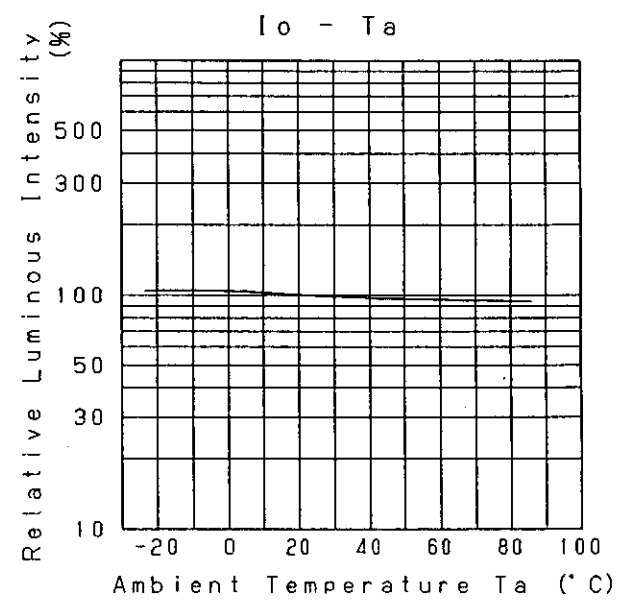
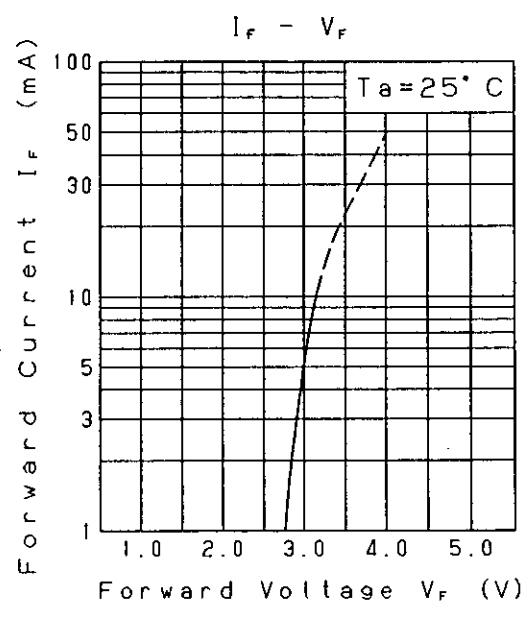
NOTE

- ★1. Please contact the Panasonic local office if you design at low current (below 1mA DC) or pulse current operation and have any questions.
- ★2. Soldering conditions...Refer to Handling note.
- ★3. Compositions of the lead... Cu/Ni/Au plating
- ★4. Beware of destruction by static electricity in handling the LED.
- ★5. Circuit to operate LED.

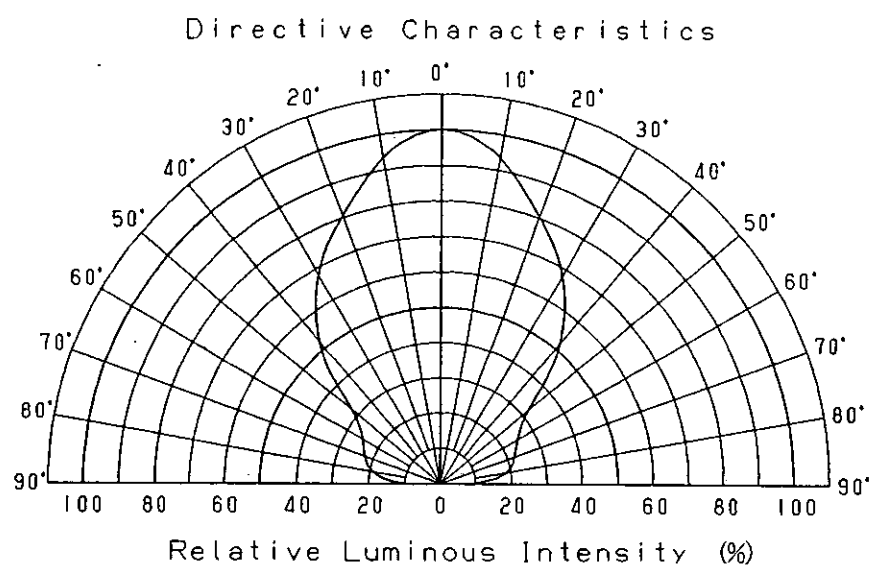
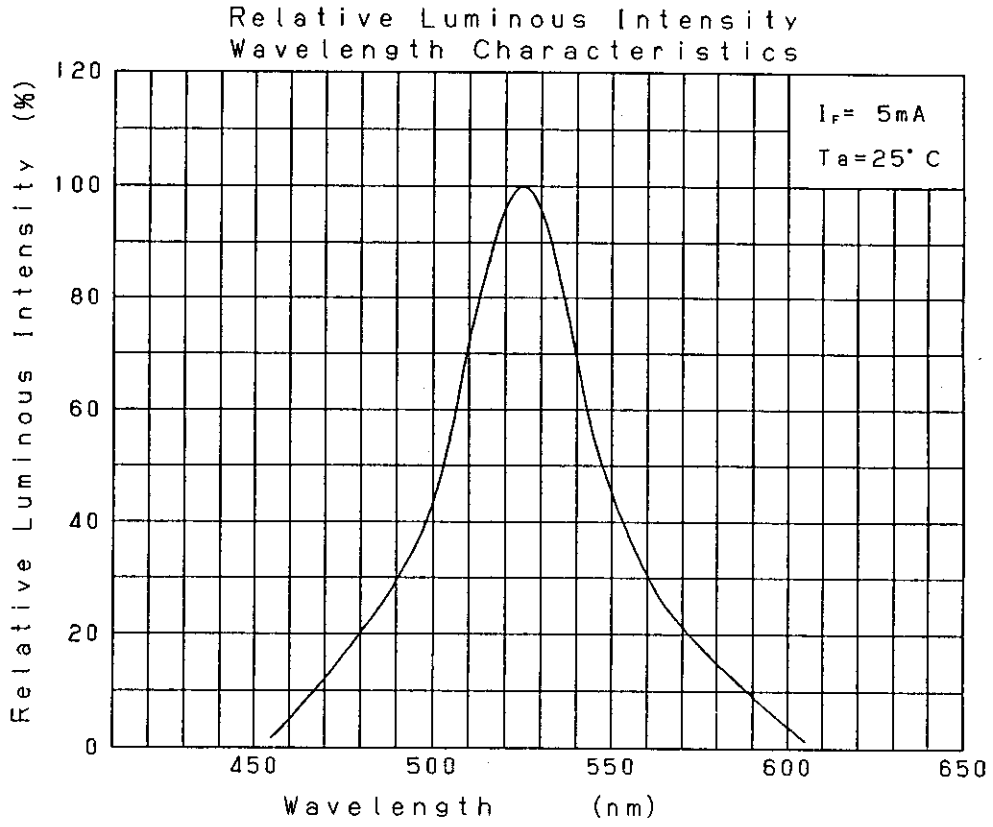


(A) Recommended circuit.
 (B) The difference of brightness between the LED could be found due to the V_F characteristics of each LED.

Oct. 24. 2001			



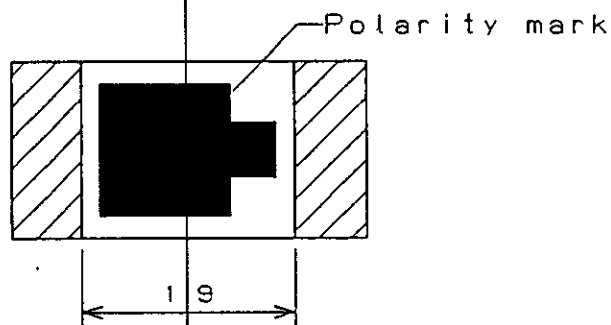
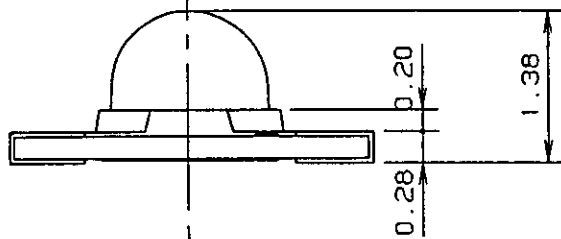
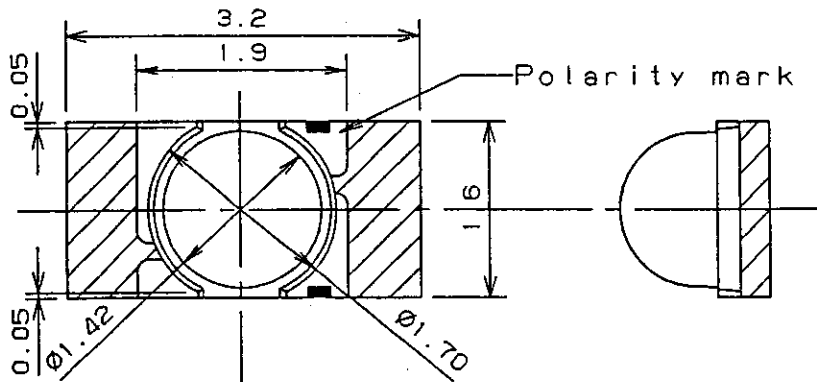
Approved	Checked	Designed	DEVELOPMENT SPECIFICATION			
		<i>T. Takata</i>	P/N: LNJ618C8WRA1			



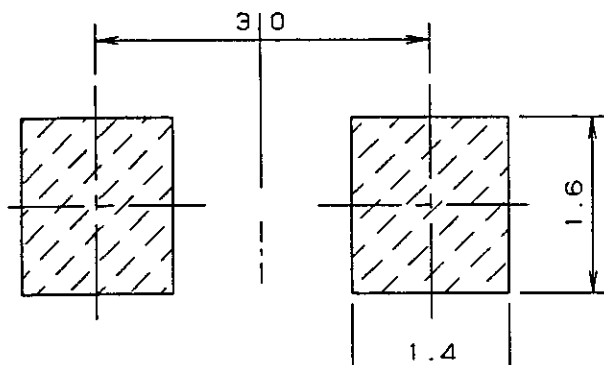
Oct. 24. 2001			
---------------	--	--	--

Approved	Checked	Designed	DEVELOPMENT SPECIFICATION (OUTLINE)	TEMPORARY
		T. Tabata		

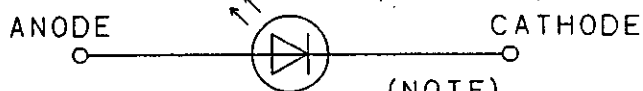
Outline



Recommended Land Layout



Polarity



(NOTE)

1. Unit: mm
2. Tolerance unless specified is ± 0.15 .
3. indicate Au terminal.

Nov. 7. 2001			
--------------	--	--	--