

Approved	Checked	Designed	DEVELOPMENT SPECIFICATION	TEMPORARY
		T. Tabata		

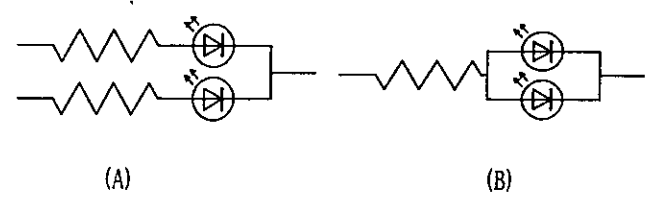
T Y P E	Soft Orange Light Emitting Diode					
A P P L I C A T I O N	Indicators					
M A T E R I A L	GaAsP					
O U T L I N E	Attached					
A B S O L U T E M A X I M U M R A T I N G S	P	+1 I _{FP}	I _{FDC}	V _R	Topr	Tstg
	60	60	20	3	-30~+85	-40~+100
	mW	mA	mA	V	°C	°C
C O N D I T I O N	Ta=25±3°C					

Test Specification

I t e m	Symbol	C o n d i t i o n	Typ	Limit		Unit
				Min	Max	
Forward Voltage	V _F	I _F =10mA	1.93		2.6	V
Reverse Leakage Current	I _R	V _R = 3V			10	μA
Luminous Intensity #2	I _O	I _F =10mA DC	2.5	1.3		mcd
Peak Emission Wavelength	λ _p	I _F =10mA DC	610			nm
Spectral Line Half Width	Δλ	I _F =10mA DC	40			nm

- #1. The Condition of I_{FP} is duty 10%, Pulse width 1 ms
- #2. Tolerance of luminous intensity: ±20%.

- NOTE
- ★1. Please contact the Panasonic local office if you design at low current (below 1mA DC) or pulse current operation and have any questions.
 - ★2. Soldering conditions...Refer to Handling note.
 - ★3. Compositions of the lead Cu/Ni/Au plating
 - ★4. Circuit to operate LED.



(A) Recommended circuit.
 (B) The difference of brightness between the LED could be found due to the V_F characteristics of each LED.

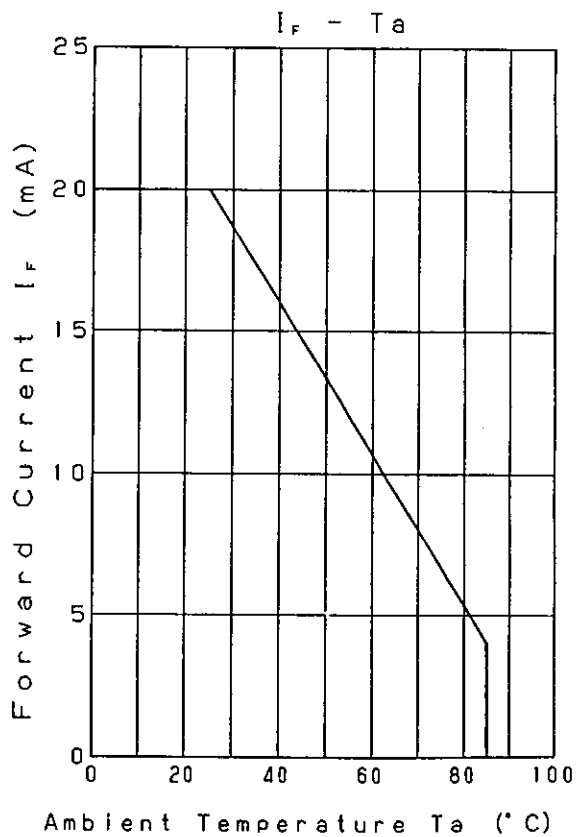
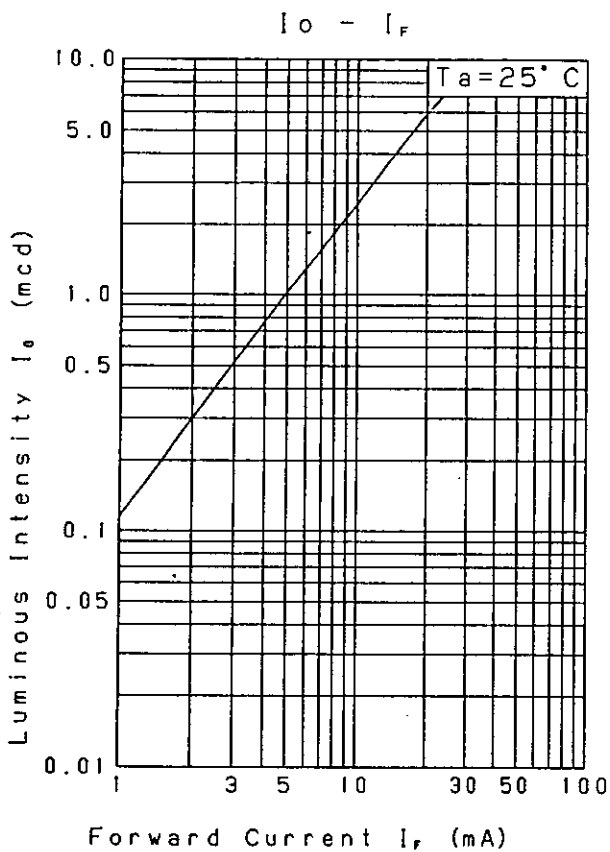
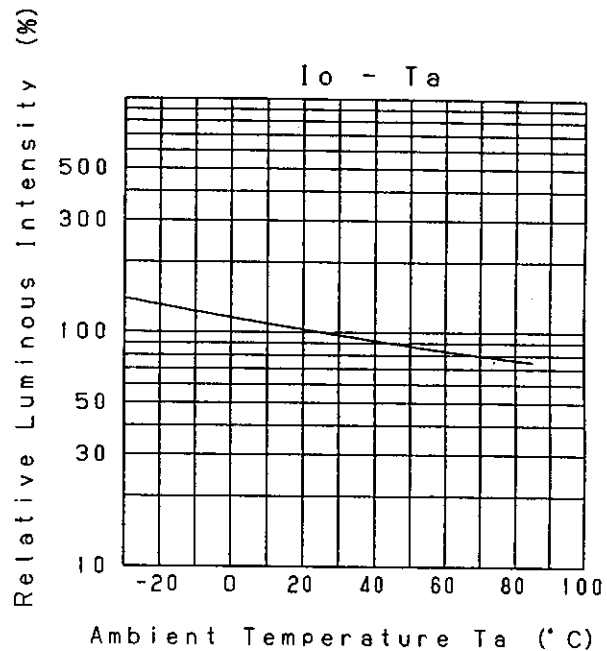
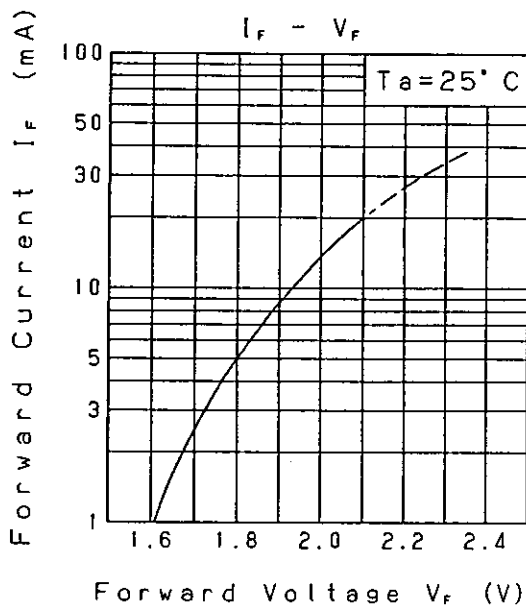
Oct. 24. 2001			
---------------	--	--	--

Approved	Checked	Designed
		T. Takata

DEVELOPMENT SPECIFICATION

P/N:LNJ818C8SRA1

TEMPORARY



Nov. 7. 2001

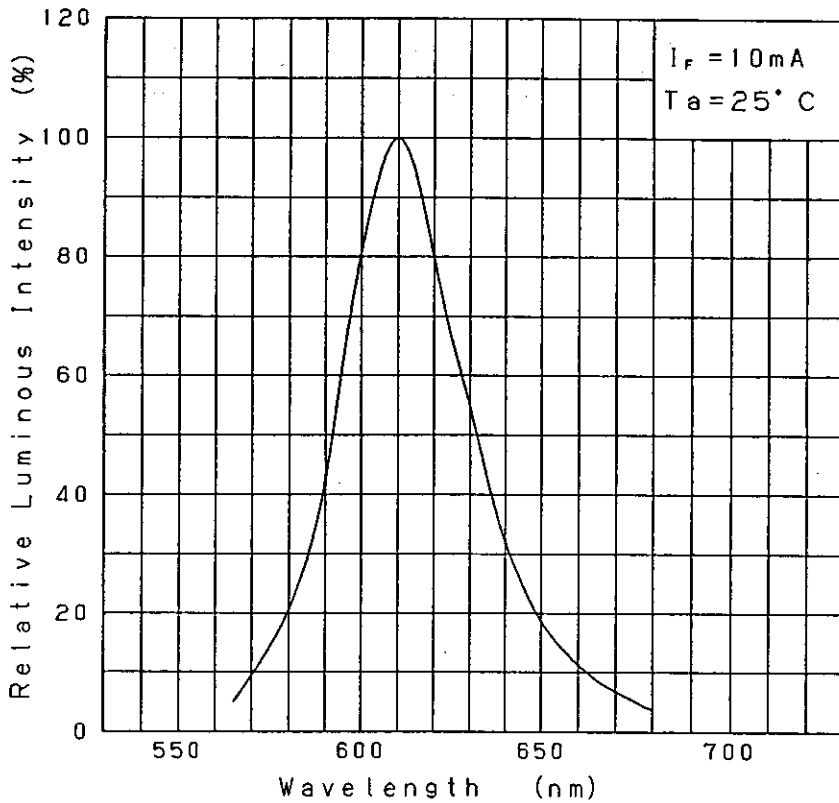
Approved	Checked	Designed
		T. Takata

DEVELOPMENT SPECIFICATION

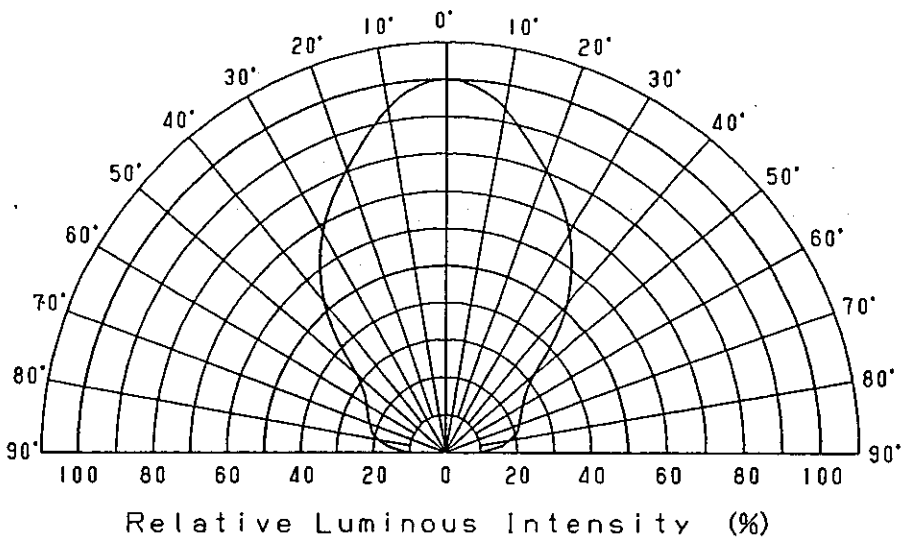
P/N:LNJ818C8SRA1

TEMPORARY

Relative Luminous Intensity
Wavelength Characteristics



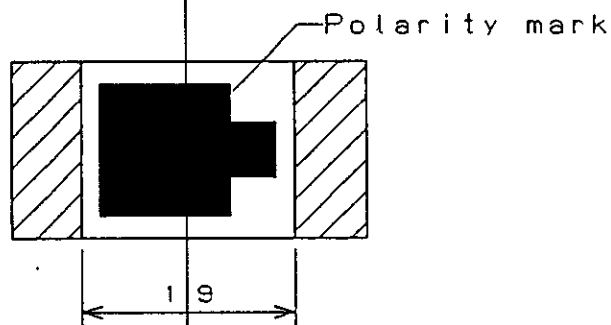
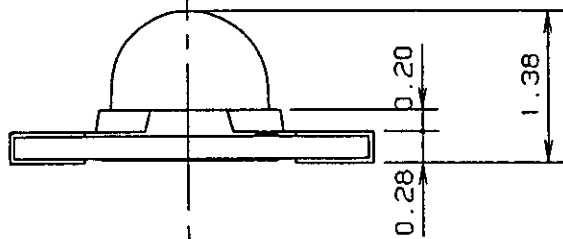
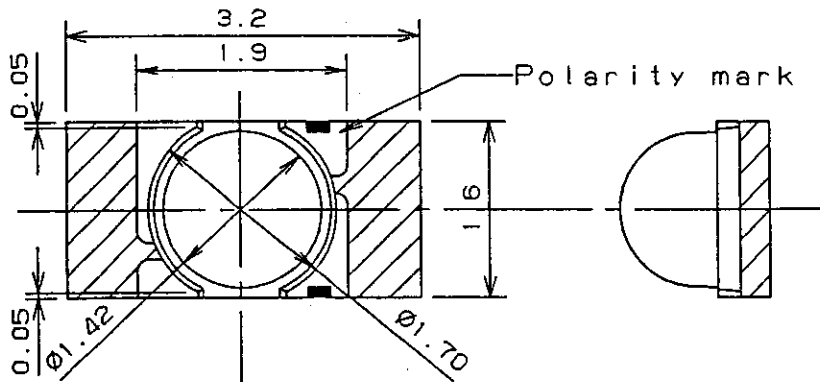
Directive Characteristics



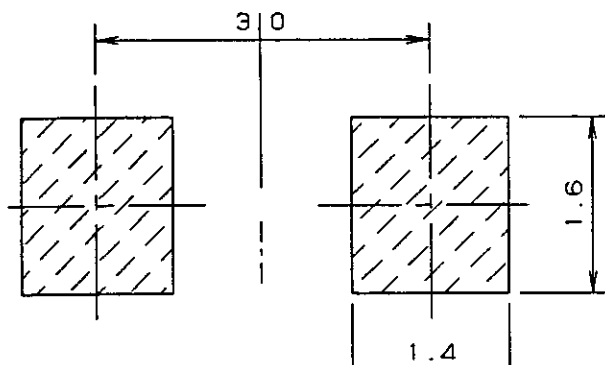
Nov. 7. 2001

Approved	Checked	Designed	DEVELOPMENT SPECIFICATION (OUTLINE)	TEMPORARY
		T. Tabata		

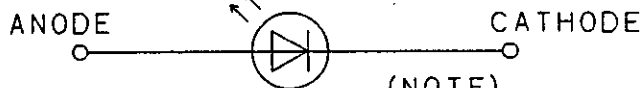
Outline



Recommended Land Layout



Polarity



(NOTE)

1. Unit: mm
2. Tolerance unless specified is ± 0.15 .
3. indicate Au terminal.

Nov. 7. 2001			
--------------	--	--	--