

## HC-KA-B 6-BU/PEL

Order No.: 1772803

The illustration shows version HC-KA-B 16-BU/PEL

<http://eshop.phoenixcontact.de/phoenix/treeViewClick.do?UID=1772803>

HEAVYCON terminal adapter female insert, B6 series, 6. pos., protective conductor connection on the left for the right side of the control cabinet, screw connection; contact inserts with screw, crimp, and QUICKON connections usable as mating connectors.

### Commercial data

|                          |                    |
|--------------------------|--------------------|
| EAN                      | 4017918037413      |
| Pack                     | 5 Pcs.             |
| Customs tariff           | 85369010           |
| Weight/Piece             | 0.07827 KG         |
| Catalog page information | Page 382 (PC-2007) |

<http://www.download.phoenixcontact.com>  
Please note that the data given here has been taken from the online catalog. For comprehensive information and data, please refer to the user documentation. The General Terms and Conditions of Use apply to Internet downloads.

### Technical data

#### Electrical characteristics

|                                  |   |
|----------------------------------|---|
| Note                             | Für HEAVYCON-ADVANCE-Anbaufansche und HEAVYCON-Anbaugehäuse der Bauform B6. Als Gegenstecker sind Kontakteinsätze mit Schraub-, Crimp-, QUICKON-Anschluss einsetzbar. |
| Number of positions              | 6   |
| Connection in acc. with standard | IEC / EN  |
| Rated voltage (III/3)            | 400 V   |
| Rated surge voltage              | 6 kV  |
| Rated current                    | 16 A  |

#### Mechanical characteristics

|        |    |
|--------|----|
| Design | B6 |
|--------|----|

|   |   |
|---|---|
| Connection systems                      | Screw connection                            |
| Tightening torque                       | 0.5 Nm ... 0.8 Nm                           |
| Stripping length of the individual wire | 14 mm                                       |
| Conductor cross section                 | 0.2 mm <sup>2</sup> ... 2.5 mm <sup>2</sup> |
| Connection cross section AWG            | 22 ... 12                                   |

#### General characteristics

|                                    |                   |
|------------------------------------|-------------------|
| Contact material                   | Copper alloy      |
| Contact surface material           | Ag                |
| Contact carrier material           | PA / PC           |
| Terminal adapter width             | 26.3 mm           |
| Height                             | 34 mm             |
| Pollution degree                   | 3                 |
| Surge voltage category             | III               |
| Inflammability class acc. to UL 94 | V0                |
| Connection in acc. with standard   | IEC / EN          |
| Ambient temperature (operation)    | -40 °C ... 125 °C |

#### Certificates / Approvals

##### Approval logo



##### CSA

|                                |       |
|--------------------------------|-------|
| Nominal voltage U <sub>N</sub> | 300 V |
| Nominal current I <sub>N</sub> | 9 A   |
| AWG/kcmil                      | 22-12 |

##### UL

|                                |               |
|--------------------------------|---------------|
| Nominal voltage U <sub>N</sub> | 600 V         |
| Nominal current I <sub>N</sub> | 10 A          |
| AWG/kcmil                      | 22-12         |
| Certification                  | CSA, GOST, UL |

### Accessories

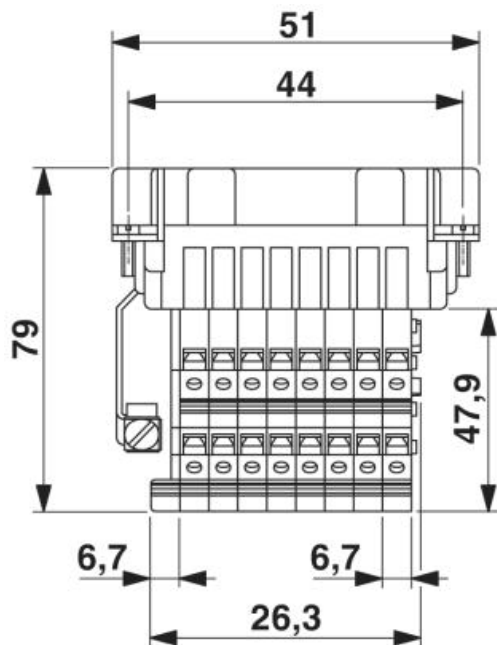
| Item | Designation | Description |
|------|-------------|-------------|
|------|-------------|-------------|

### Assembly

|         |          |  |
|---------|----------|--|
| 1775240 | HC-KA-FE | Foot element, for mounting on mounting rail NS 32, mounting rail NS 35/7.5 or mounting rail NS 35/15, can be inserted between basic and side element |
| 1660083 | HC-VSH   | Locking screw barrel to firmly connect contact inserts and rail-mountable terminal adapters  |

### Drawings

Dimensioned drawing



**Address**

PHOENIX CONTACT GmbH & Co. KG  
Flachsmarktstr. 8  
32825 Blomberg, Germany  
Phone +49 5235 3 00  
Fax +49 5235 3 41200  
<http://www.phoenixcontact.com>



© 2008 Phoenix Contact  
Technical modifications reserved;