

Power MOSFET

(TO220 Package)

Dec, 2003

TOSHIBA Semiconductor Company
Discrete Semiconductor Division

TO-220SIS π -MOS IV/VI Series

New Package TO-220SIS(Smart Isolation)

<Features>

1) Short-sized Package

Mounted Package Height is Reduced by 2.8mm.

2) High Speed Switching

Reduction of Gate Charge by Optimizing Chip Design.

Turn-Off Time is 10% Faster Than Conventional TO-220NIS.

3) Pb Free Solder

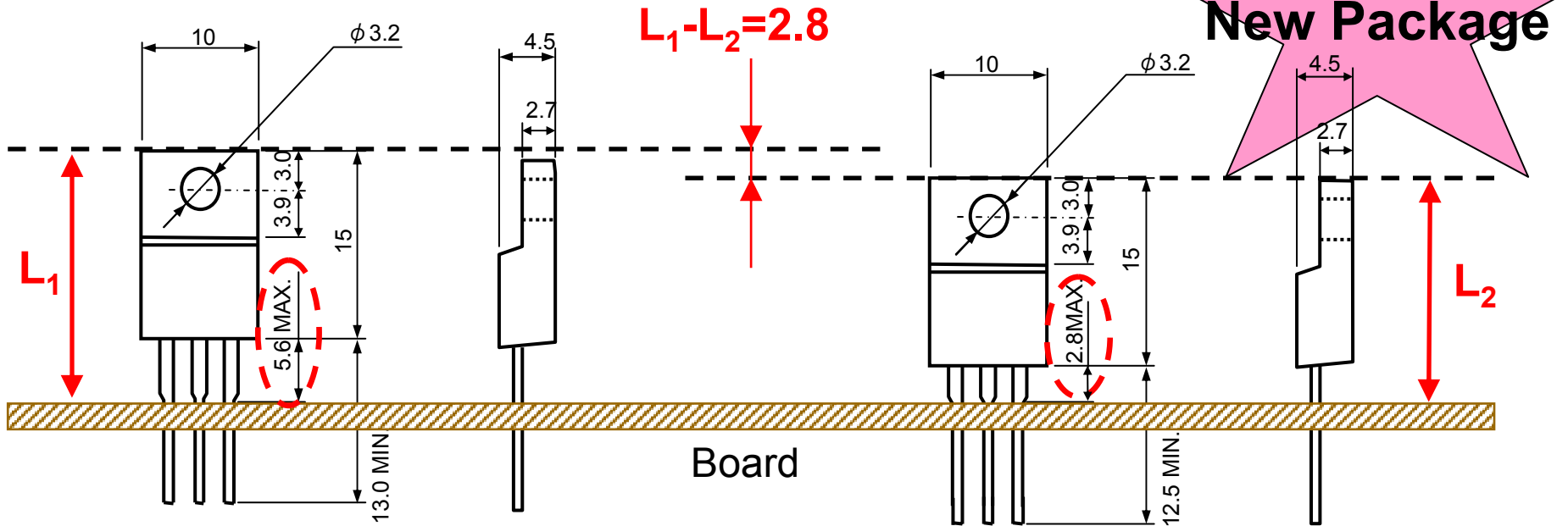
TO-220SIS package is harmless to the environment.

TO-220SIS Series : Form Comparison

**Conventional package
TO-220NIS**

TO-220SIS

New Package

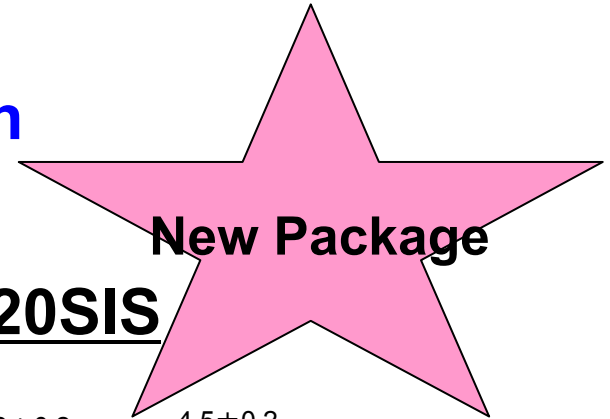


Unit:mm

Short-sized Package

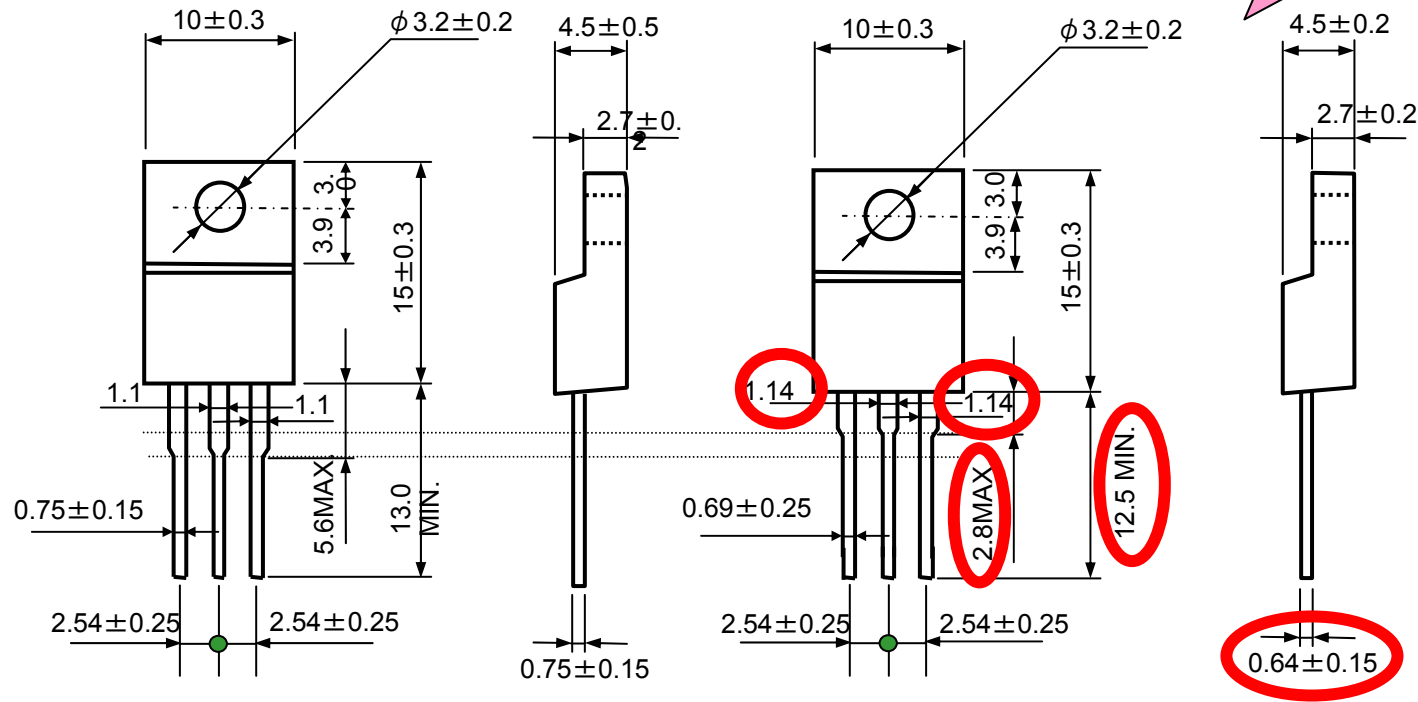
Mounted Package Height is Reduced by 2.8mm.

TO-220SIS Series Dimension Comparison



TO-220NIS

TO-220SIS

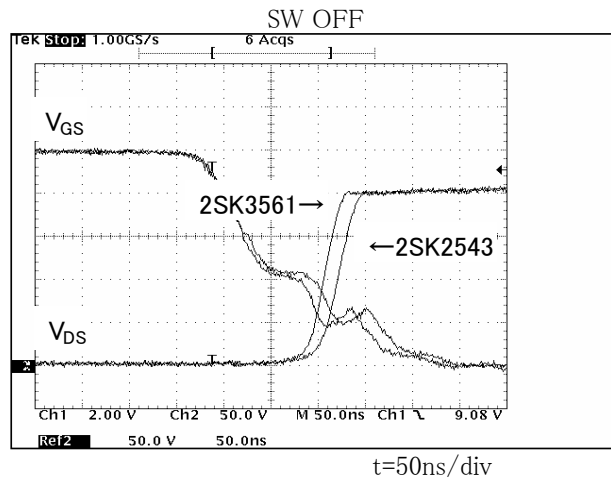


(Unit :mm)

TO-220SIS π -MOSVI Series

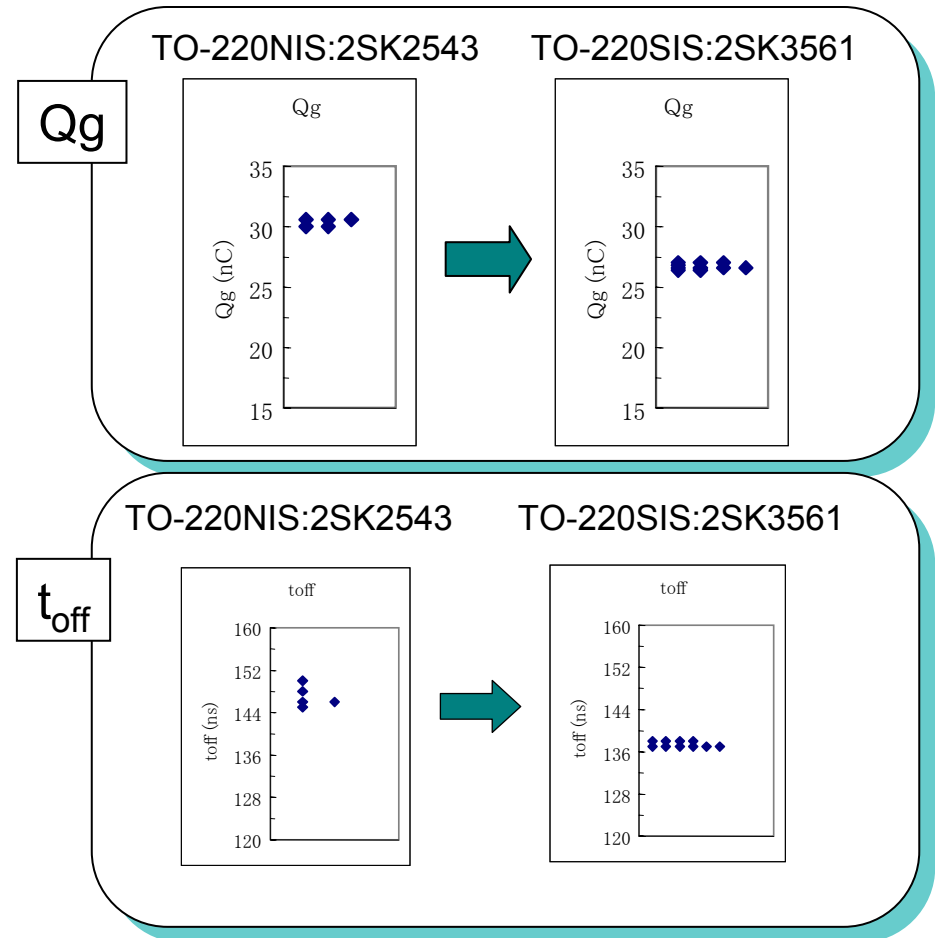
<Characteristics Comparison>

	TO-220NIS 2SK2543	TO-220SIS 2SK3561
$V_{DSS}(V)$	500V	500V
$I_D(A)$	8A	8A
$R_{DS(ON)}(\Omega)$	0.85 Ω	0.85 Ω
$Q_g(nC)$	30	28
$t_{off}(ns)$	147	137



t_{off} is 7% Faster by Reducing Q_g .

(Same Maximum Ratings in $V_{DSS}, I_D, R_{DS(ON)}$)



TO-220SIS Series Line Up

Part Number	Maximum Ratings		R _{DS(ON)} (Max)(Ω)	Sample Schedule	MP Schedule	Corresponding Part number
	V _{DSS} (V)	I _D (A)				
2SK3757#	450	2	2.45	OK		2SK3543
2SK3563	500	5	1.5	OK	OK	2SK2662
2SK3561	500	8	0.85	OK	OK	2SK2543
2SK3568	500	12	0.52	OK	OK	2SK2842
2SK3767	600	2	5	OK	OK	2SK3067
2SK3567	600	3.5	2.2	OK	OK	2SK2750
2SK3562	600	6	1.25	OK	OK	2SK2545
2SK3667	600	7.5	1.0	OK	OK	2SK2996
2SK3569	600	10	0.75	OK	OK	2SK2843
						-
2SK3566	900	2.5	6.4	OK	OK	2SK2718
2SK3564	900	3	4.3	OK	OK	2SK2700
						-
2SK3565	900	5	2.5	OK	OK	2SK2717
						-

#:Under Development

TO-220AB New series

Latest Design

π -MOS IV(900V)

π -MOS VI(500V/600V)

Feature

- >Low Qg characteristics
- >Improve 10% Switching characteristics
- >Avalanche capability guaranteed
- >Built-in protection zener diode between gate and source



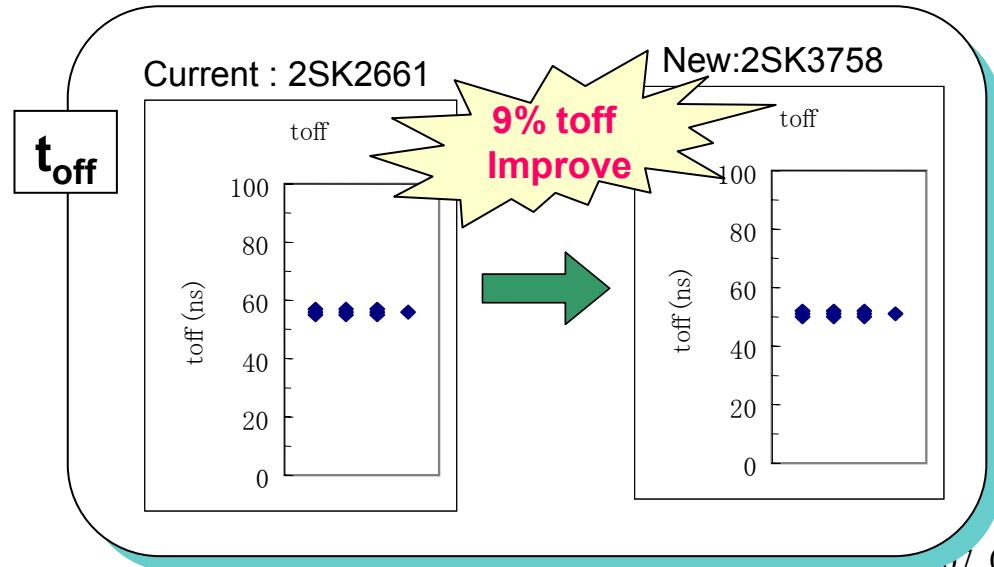
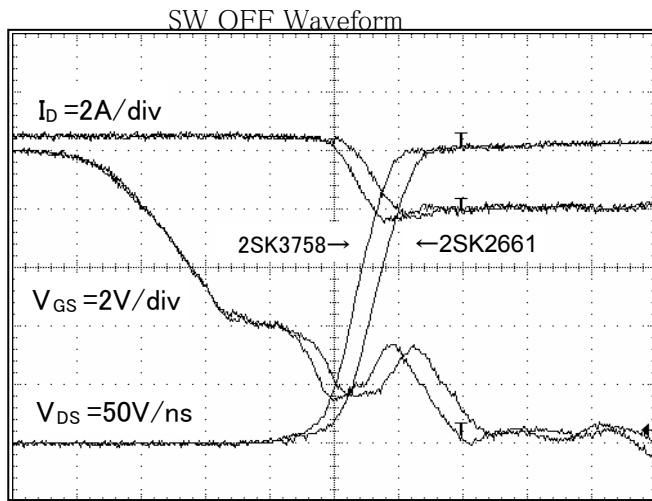
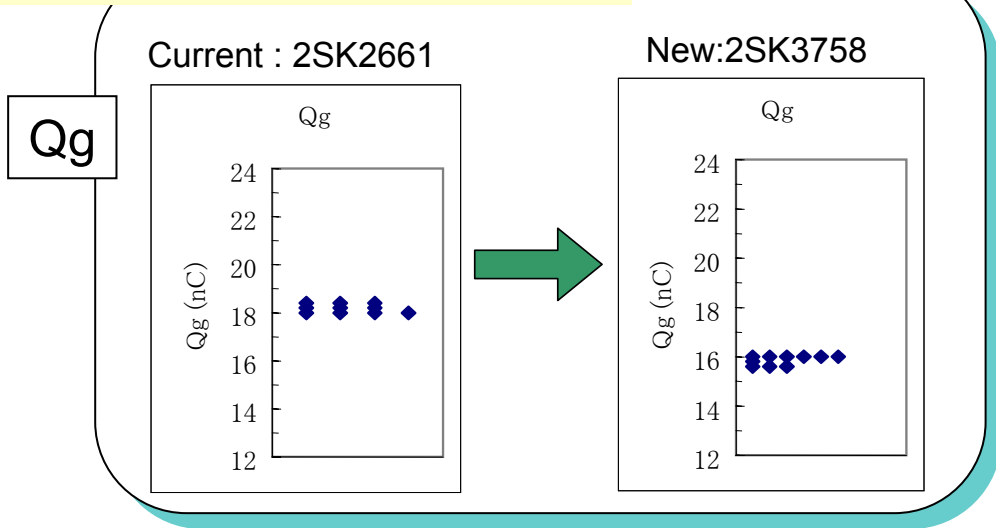
Line up

Part Number	Maximum Ratings		RDS(ON) (Max)(Ω)	Sample Schedule	M/P Schedule	Corresponding Part number
	V _{DSS} (V)	I _D (A)				
2SK3758	500	5	1.5	OK	OK	2SK2661
2SK3759	500	8	0.85	OK	OK	2SK2542
2SK3760	600	3.5	2.2	OK	OK	2SK3085
2SK3761	600	6	1.25	OK	OK	2SK2544
2SK3762	900	2.5	6.4	OK	OK	-
2SK3763	900	3	4.3	OK	OK	2SK2608

TO-220AB New series

Switching Performance Comparison, 500-600V series

Parts No	Current Parts	New
Item	2SK2661	2SK3758
$V_{DSS}(V)$	500V	500V
$I_D(A)$	5A	5A
$R_{DS(ON)}(\Omega)$	1.5 (MAX)	1.5 (MAX)
Qg(nC)	17 (TYP)	16 (TYP)
toff(ns)	60 (TYP)	50 (TYP)



The information contained herein is subject to change without notice.

The information contained herein is presented only as a guide for the applications of our products. No responsibility is assumed by TOSHIBA for any infringements of patents or other rights of the third parties which may result from its use. No license is granted by implication or otherwise under any patent or patent rights of TOSHIBA or others.

TOSHIBA is continually working to improve the quality and reliability of its products.

Nevertheless, semiconductor devices in general can malfunction or fail due to their inherent electrical sensitivity and vulnerability to physical stress.

It is the responsibility of the buyer, when utilizing TOSHIBA products, to comply with the standards of safety in making a safe design for the entire system, and to avoid situations in which a malfunction or failure of such TOSHIBA products could cause loss of human life, bodily injury or damage to property.

In developing your designs, please ensure that TOSHIBA products are used within specified operating ranges as set forth in the most recent TOSHIBA products specifications.

Also, please keep in mind the precautions and conditions set forth in the “Handling Guide for Semiconductor Devices,” or “TOSHIBA Semiconductor Reliability Handbook” etc.

The TOSHIBA products listed in this document are intended for usage in general electronics applications (computer, personal equipment, office equipment, measuring equipment, industrial robotics, domestic appliances, etc.).

These TOSHIBA products are neither intended nor warranted for usage in equipment that requires extraordinarily high quality and/or reliability or a malfunction or failure of which may cause loss of human life or bodily injury (“Unintended Usage”).

Unintended Usage include atomic energy control instruments, airplane or spaceship instruments, transportation instruments, traffic signal instruments, combustion control instruments, medical instruments, all types of safety devices, etc.

Unintended Usage of TOSHIBA products listed in this document shall be made at the customer's own risk.

TOSHIBA products should not be embedded to the downstream products which are prohibited to be produced and sold, under any law and regulations.