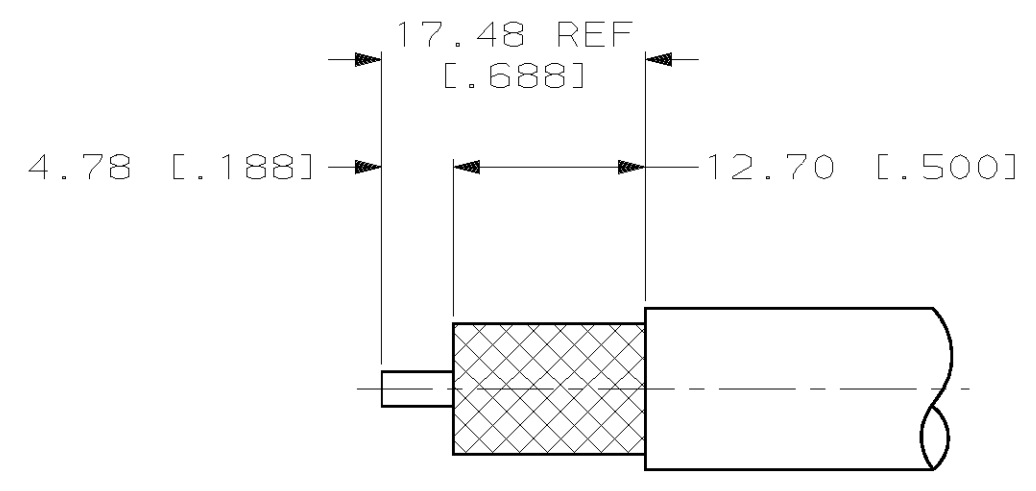
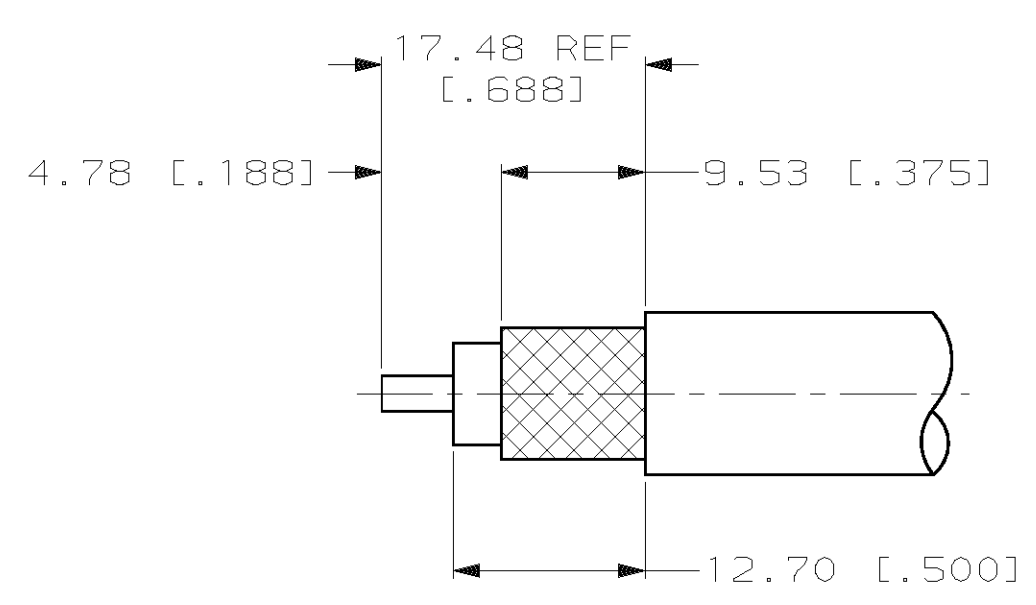


THIS DRAWING IS UNPUBLISHED. RELEASED FOR PUBLICATION
 © COPYRIGHT 19 BY AMP INCORPORATED. ALL INTERNATIONAL RIGHTS RESERVED.

LOC		DIST		P		F		ZONE		LTR		REVISIONS		
DESCRIPTION		DATE		APPD										
AJ	16									K		OB5 -4 PER 0E10-0116-99	04FEB00	M0

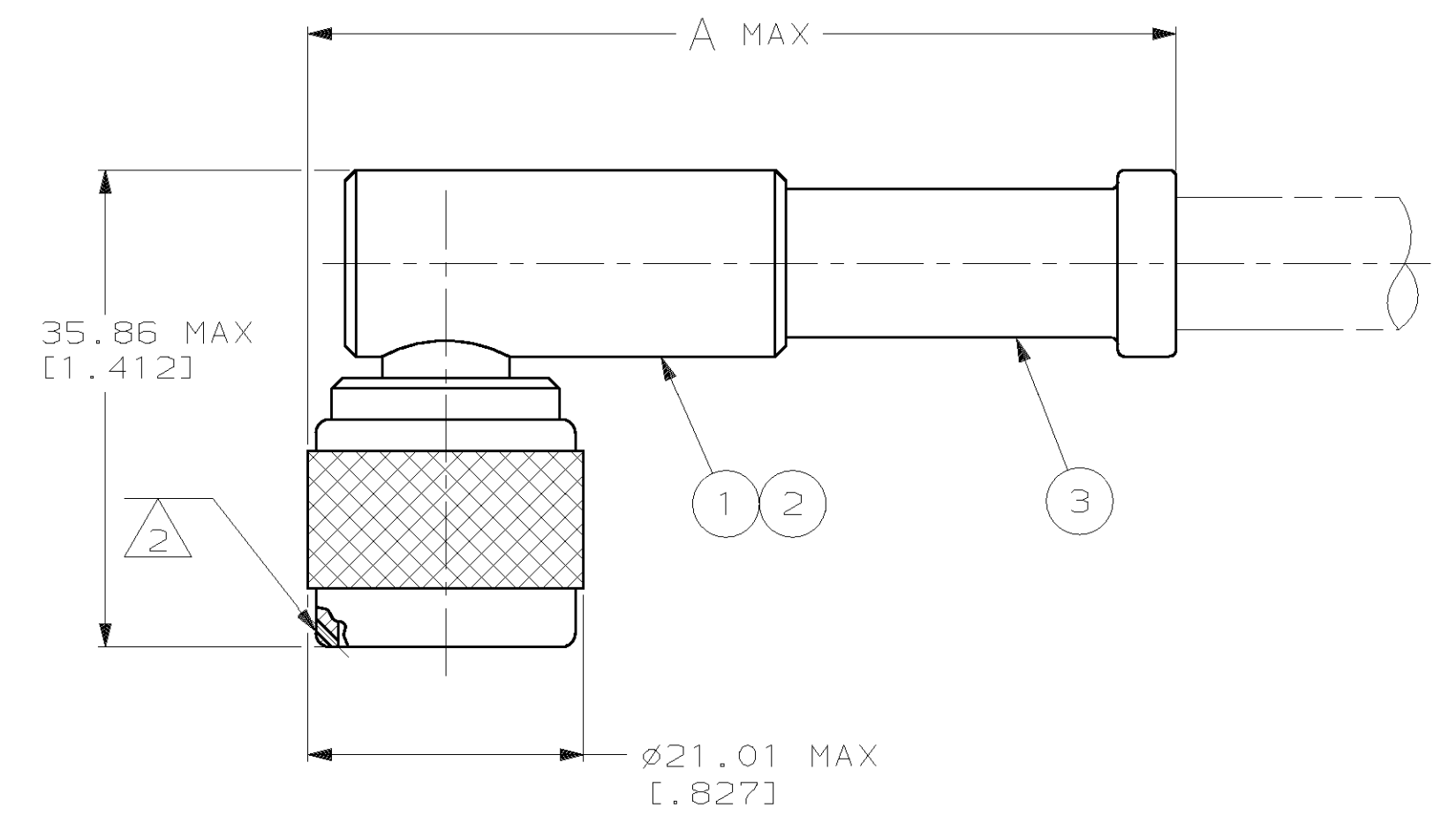


VIEW X
RECOMMENDED STRIP LENGTH



VIEW Y
RECOMMENDED STRIP LENGTH

1. PARTS PACKAGED UNASSEMBLED.
2. THREE SAFETY WIRE HOLES Ø0.61 [.024] MINIMUM, EQUALLY SPACED AROUND CIRCUMFERENCE.
3. SEE INSTRUCTION SHEET #2028-5.
4. OBSOLETE PART NUMBER.
5. SUPERSEDED BY 225389-4.



-	-	-	-	-	-	-	-	-	5	7-225389-4
RG-213/U	7-225389-2 AMP	220015-1	62.31 [2.453]	Y	1-331987-3	51704-2	225417-1		4	7-225389-2
-	-	-	-	-	-	-	-	-	4	1-225389-0
MICRODOT 250-4172 & 250-4208	225389-9 AMP	220015-3	61.49 [2.421]	Y	225612-2	51704-2	225904-1			225389-9
RG-165/U & M15224	225389-8 AMP	220015-1	62.31 [2.453]	Y	1-331987-3	1-51704-0	225417-1			225389-8
RG-393/U	225389-6 AMP	220015-1	62.31 [2.453]	X	225490-1	1-51704-0	225417-1			225389-6
RG-214/U	10688467 AMP	220015-1	62.31 [2.453]	X	331987	51704-2	225417-1	4	4	225389-5
RG-214/U	00779 M39012/05B0003 AMP & DATE CODE	220015-1	62.31 [2.453]	X	331987	51704-2	225417-1	4	4	225389-4
RG-225/U	225389-3 AMP	220015-1	62.31 [2.453]	X	331987	1-51704-0	225417-1			225389-3
RG-213/U	00779 M39012/05B0002 AMP & DATE CODE	220015-1	62.31 [2.453]	Y	1-331987-3	51704-2	225417-1			225389-2
RG-115A/U	225389-1 AMP	220015-1	62.31 [2.453]	X	1-331987-3	51704-2	225417-2	4	4	225389-1

CABLE SIZE	STAMPING	CRIMP TOOL	A	VIEW	3 FERRULE QTY=1	2 CONTACT QTY=1	1 PLUG ASSY QTY=1	PART NUMBER

DO NOT SCALE PRINT. UNLESS SPECIFIED DIMENSIONS IN mm [INCHES] TOLERANCES ON : 2 PLC DEC ± 0.41 [.016] 3 PLC DEC ± - ANGLES ± -		DR 5-29-91 B. SCOTT CHK 10-30-91 M. SNEED APPD 10-30-91 R. HENRY APPD 10-30-91 M. SNEED		AMP AMP Incorporated Harrisburg, PA 17105-3608	
MATERIAL -----		PRODUCT SPEC 108-12019		NAME PLUG, RIGHT ANGLE, WEATHERPROOF, SERIES N	
FINISH -----		APPLICATION SPEC -		SIZE C 00779	DRAWING NO 225389
		WEIGHT 2.6 OZ MAX		SCALE 2:1	SHEET 1 OF 1