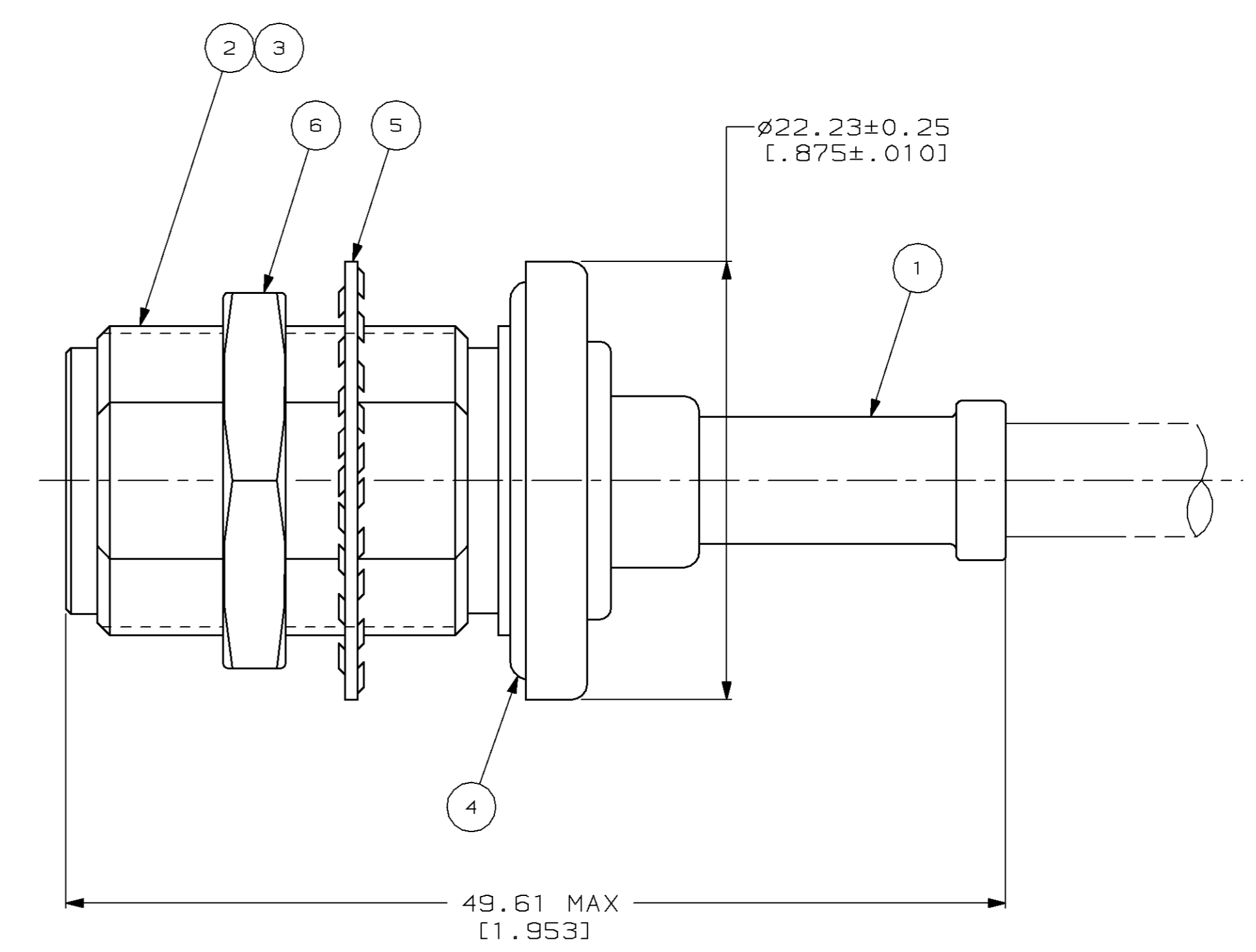
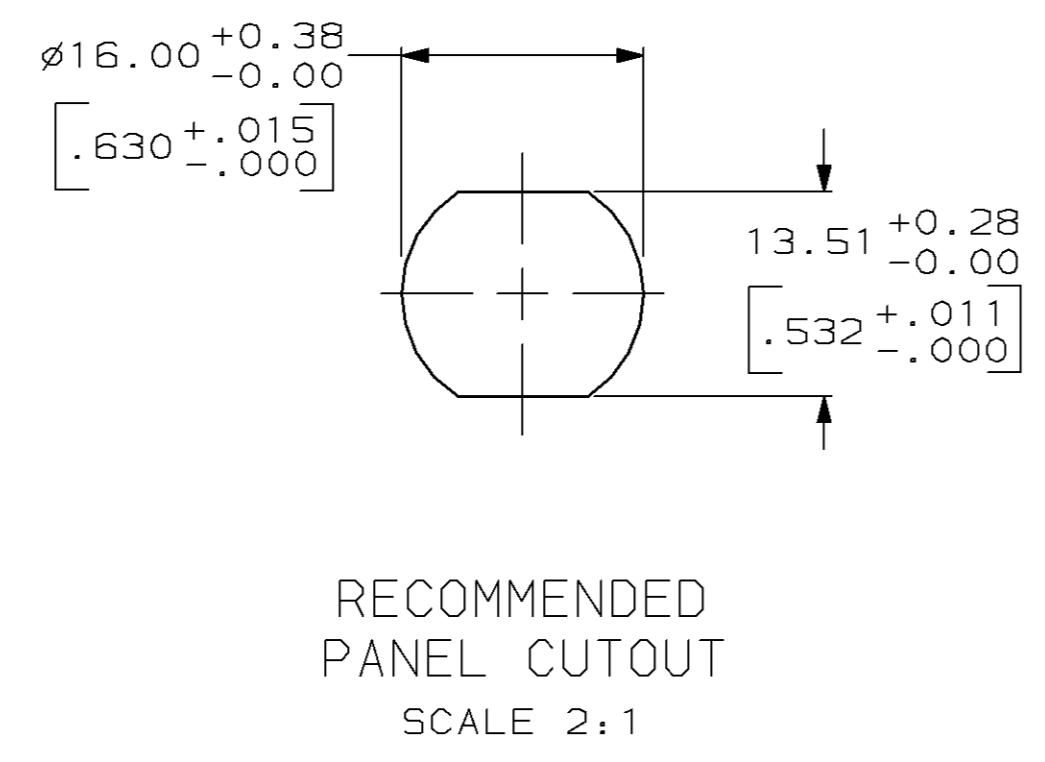
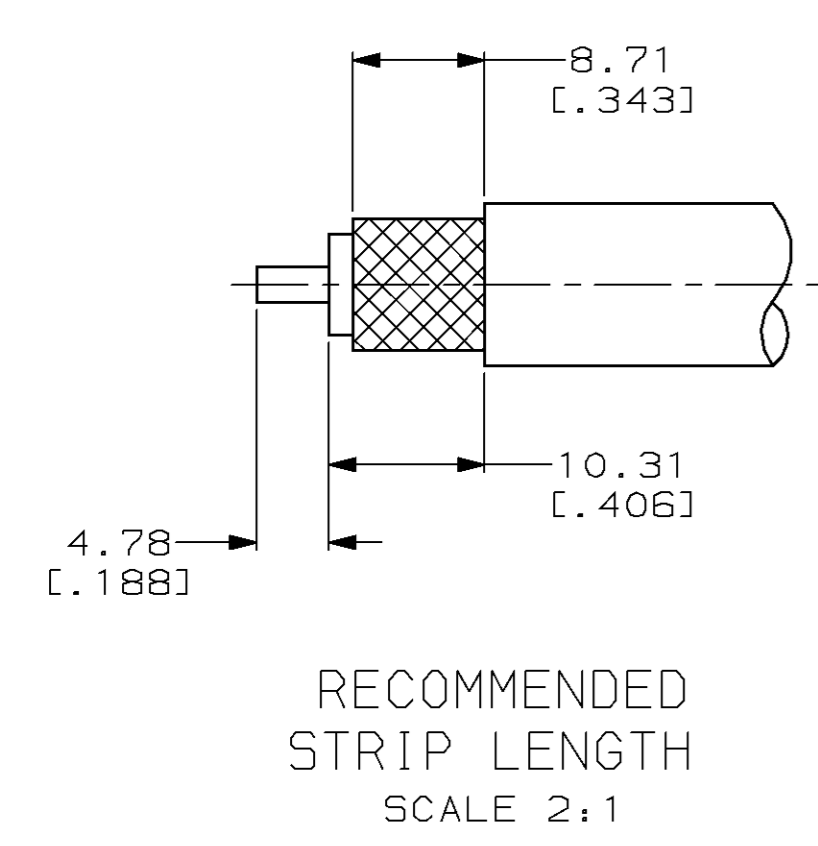


LOC	DIST	P	F	ZONE	LTR	DESCRIPTION	DATE	APPD
AJ	16							
		✓	✓	C		REDWN & OBSOLETE -5 PER AJ-2850	6-5-91	BAS
		✓	✓	D		SUPERSEDED -4 PER AJ-5344	1-15-92	BM
		✓	✓	E		OBSOLETE -3 PER AJ-5345	1-24-92	BM
		✓	✓	E1		SUPSD -2 PER ECN AJ-6482	12-15-92	KT
		✓	✓	F		REACTIVATED -3 PER 0220-0380-93	1-12-94	JG
				G		REVISED PER 0503-0210-97	4-23-97	JG

- PARTS PACKAGED UNASSEMBLED
- CRIMP TOOL: 220045-2
- SEE I.S. 2028-3



SUPERSEDED BY 1-225668-2	RG-58A/U & RG-58C/U	1-332004-9	50687	22132-3	225415-2	225106-2	225560-2	225393-9
	-	-	-	-	-	-	-	225393-4
SUPERSEDED BY 225363-4	RG-141/U & RG-141A/U	1-332004-0	50687	22132-3	225415-2	225106-4	225560-2	225393-3
	RG-142/U, 142A/U & 142B/U	1-332004-0	50687	22132-3	225415-1	225106-4	225560-1	225393-2
	RG-55A/U & 223/U	1-332004-0	50687	22132-3	225415-1	225106-2	225560-1	225393-1
CABLE SIZE	⑥ NUT QTY=1	⑤ LOCKWASHER QTY=1	④ O-RING QTY=1	③ JACK ASSY QTY=1	② CONTACT QTY=1	① FERRULE QTY=1	PART NUMBER	

DO NOT SCALE PRINT. UNLESS SPECIFIED DIMENSIONS IN mm [INCHES] TOLERANCES ON:		DR 06-05-91 B. SCOTT		PART NO	
2 PLC DEC ± 0.41 [0.016]	3 PLC DEC ± -	CHK 1-2-92 B. MOYER	APPD 1-9-92 M. SNEED	AMP AMP Incorporated Harrisburg, PA 17105-3608 NAME JACK, BULKHEAD, WEATHERPROOF, SERIES N	
ANGLES ± -	MATERIAL	APPD 1-9-92 M. SNEED	PRODUCT SPEC		
FINISH	APPLICATION SPEC	SIZE	CAGE CODE	DRAWING NO	
		D	00779	225393	
	WEIGHT 1.52 OZ MAX	SCALE	4:1	SHEET 1 OF 1	