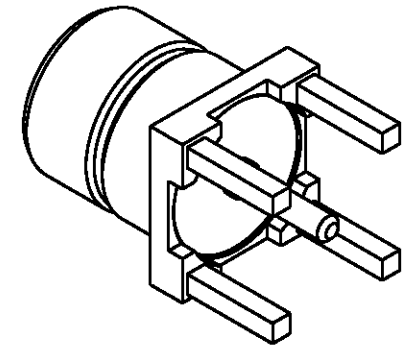
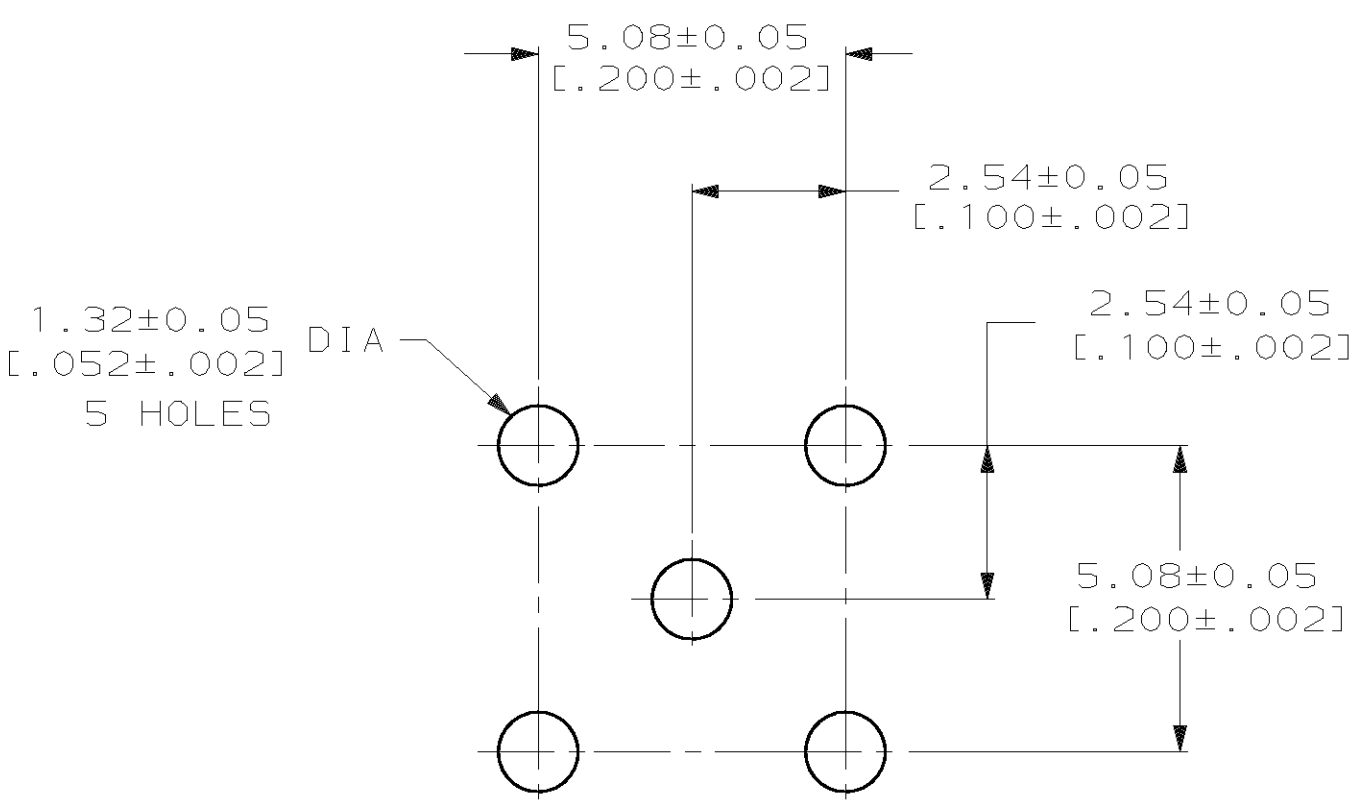
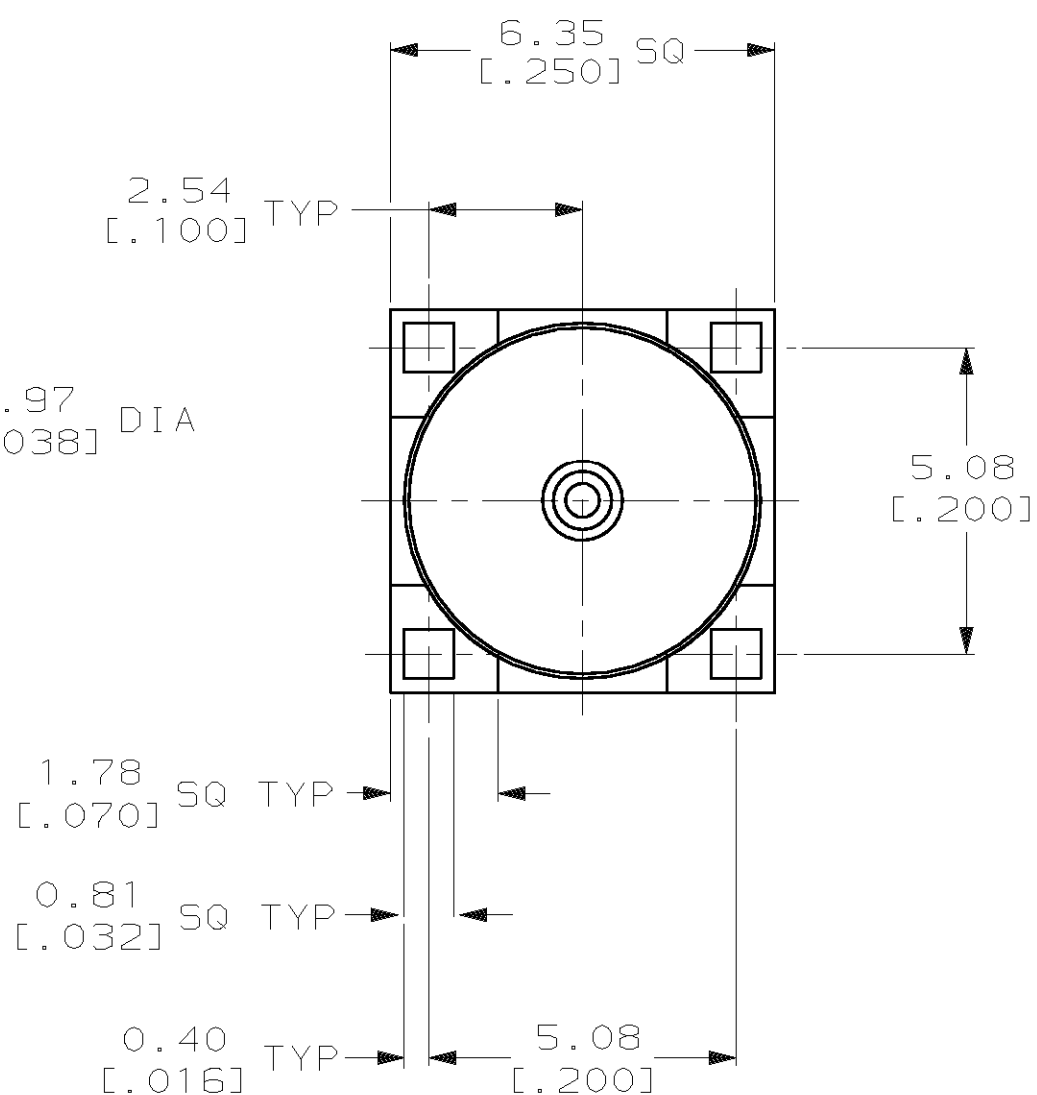
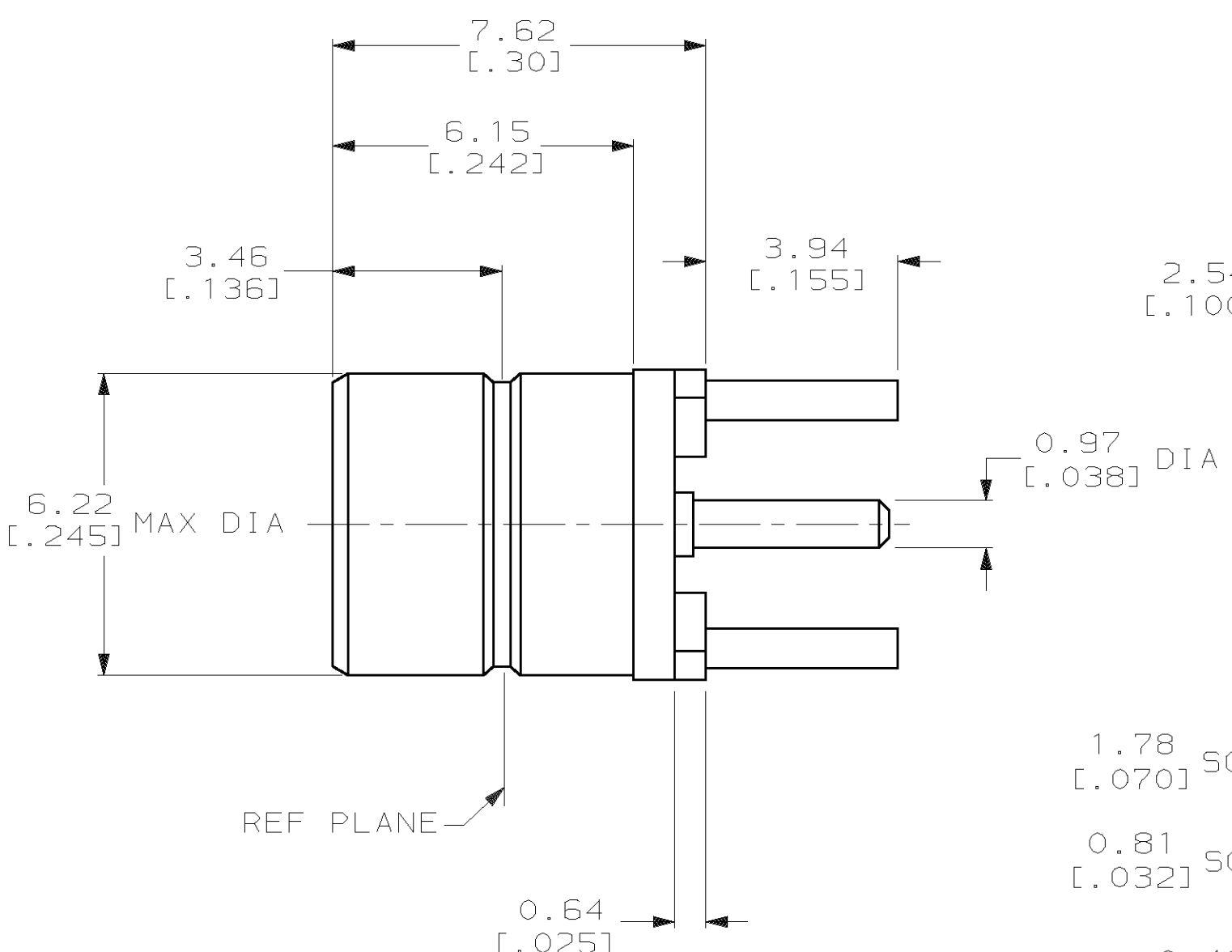


THIS DRAWING IS UNPUBLISHED. RELEASED FOR PUBLICATION
 © COPYRIGHT 19 BY AMP INCORPORATED. ALL INTERNATIONAL RIGHTS RESERVED.

LOC	DIST	P	F	ZONE	LTR	DESCRIPTION	DATE	APPD
AJ	16					REV PER 0U20-0178-99	16NOV99	MO



ISOMETRIC VIEW



RECOMMENDED PCB CONFIGURATION

1. MATERIALS:
 BODY...BRASS
 CONTACT...BRASS
 DIELECTRIC...TEFLON
2. FINISH:
 BODY AND CENTER CONTACT...
 GOLD PLATE PER MIL-G-45204 OVER
 NICKEL PLATE PER QQ-N-290.
3. FINISH:
 BODY ... NICKEL PLATE
 PER QQ-N-290 OVER
 COPPER PER MIL-C-14550.
4. FINISH:
 CENTER CONTACT ... GOLD PLATE
 PER MIL-G-45204 OVER
 NICKEL PLATE PER QQ-N-290.
5. FINISH:
 BODY AND CENTER CONTACT...
 GOLD PLATE PER MIL-G-45204
 .000050 MIN THK OVER
 NICKEL PLATE PER QQ-N-290.
6. FINISH:
 BODY...TIN-LEAD PLATE PER ASTM-B545
 .000050 MIN THK OVER NICKEL PLATE
 PER QQ-N-290

SUPERSEDED BY 414244-1	6 4	414244-4
SUPERSEDED BY 414244-4	5	414244-3
	3 4	414244-2
	2	414244-1
NOTES	ASSY NO	

DO NOT SCALE PRINT. UNLESS SPECIFIED DIMENSIONS IN mm [INCHES] TOLERANCES ON: 2 PLC DEC ± 0.25[.01] 3 PLC DEC ± 0.130[.005] ANGLES ± -		DR 1/6/92 CHK 1/6/92 APPD 1/7/92 APPD 1/7/92	AMP AMP Incorporated Harrisburg, PA 17105-3608	
MATERIAL SEE NOTES	FINISH SEE NOTES	PRODUCT SPEC -	NAME JACK, RCPT, STR, SMB/PCB	
		APPLICATION SPEC -	SIZE C 00779	DRAWING NO 414244
		WEIGHT -	SCALE 8:1	SHEET 1 OF 1