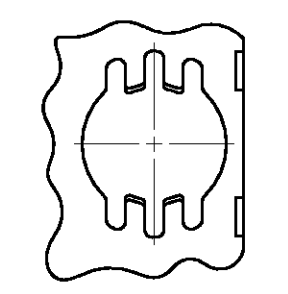
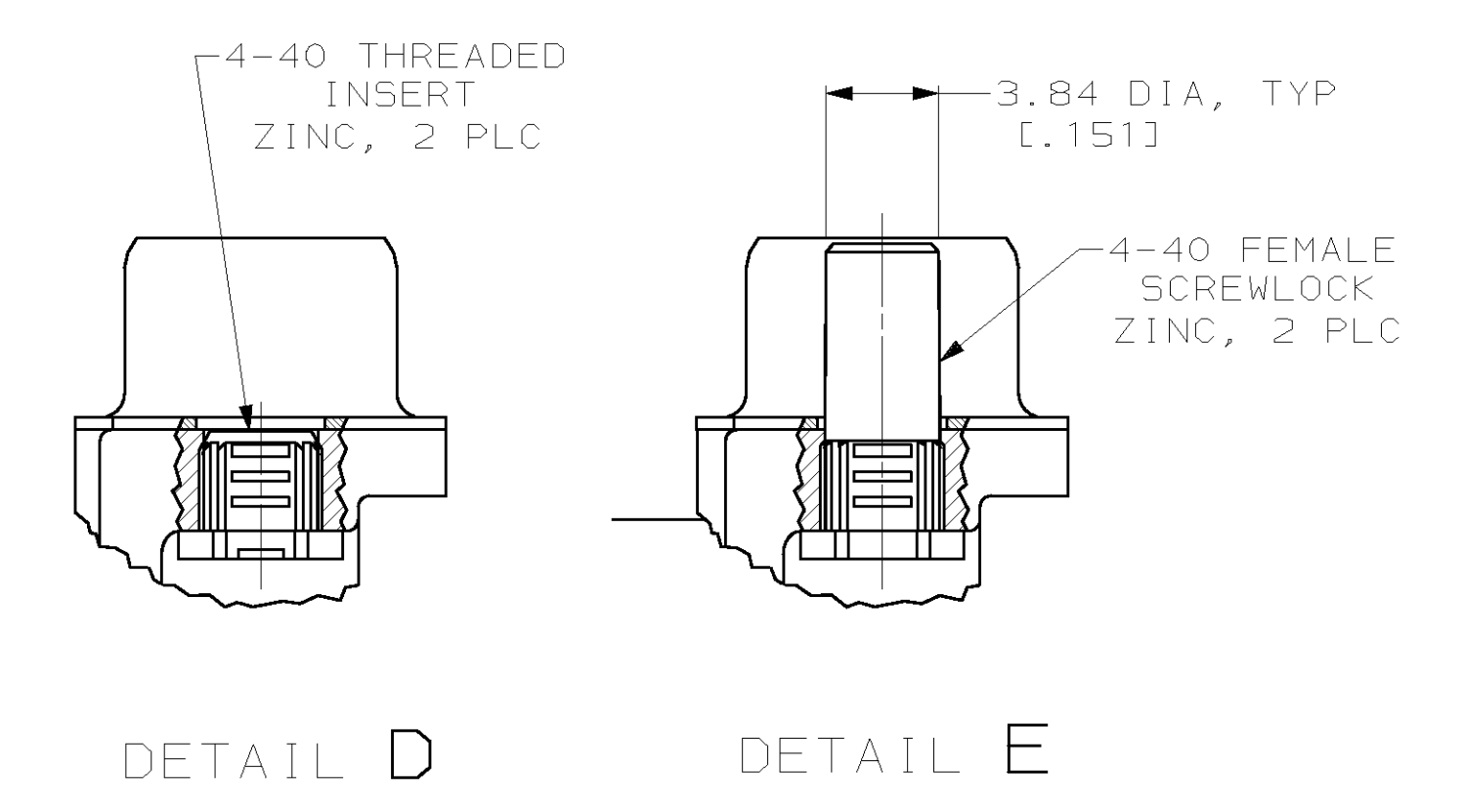
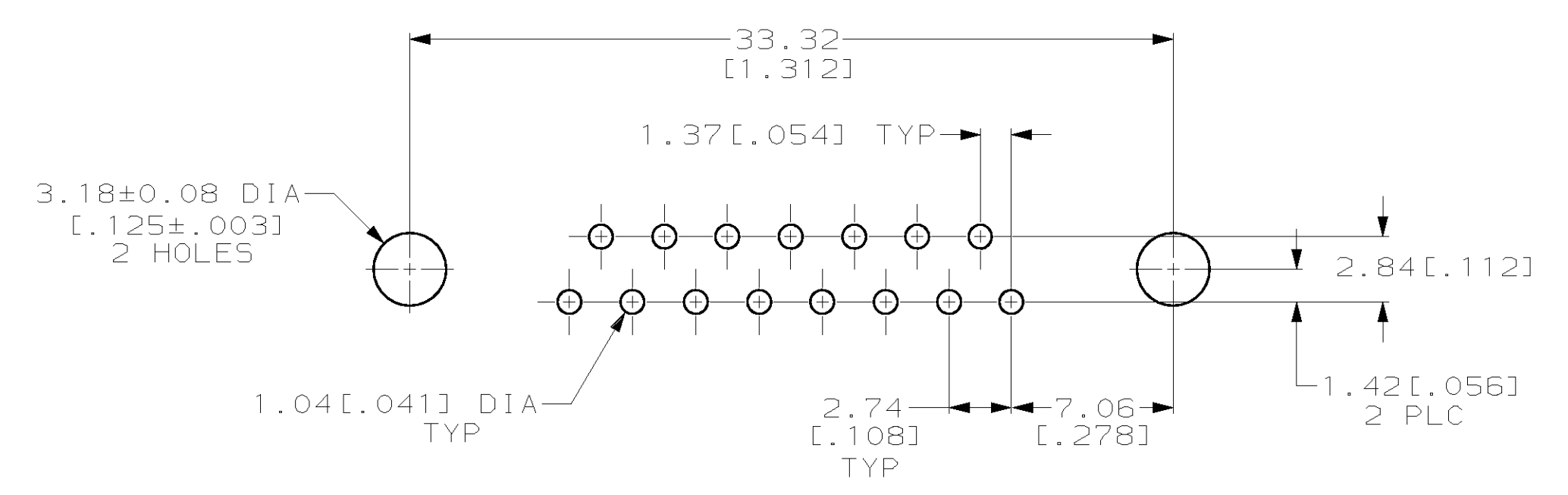


- 1 NYLON OR POLYESTER, FLAME RETARDANT, UL 94V-0 RATED, GLASS FILLED, BLACK.
- 2 BRASS PER MIL-C-50.
- 3 CARBON STEEL PER ASTM A109.
- 4 EYELETS: BRASS; BOARDLOCKS: COPPER ALLOY.
- 5 GOLD PLATING PER MIL-G-45204; NICKEL PLATING PER QQ-N-290; TIN PLATING PER MIL-T-10727; COPPER PLATING PER MIL-C-14550.
- 6 2.54µm [1.000100] MIN TIN OVER 1.27µm [1.000050] MIN COPPER.
- 7 EYELETS: 5.08µm [1.000200] MIN TIN OVER COPPER FLASH. BOARDLOCKS: 5.08µm [1.000200] MIN TIN-LEAD OVER 1.27µm [1.000050] MIN NICKEL.
- 8 GOLD FLASH FOR A LENGTH OF 3.81 [1.50] MIN FROM MATING END, 2.54µm [1.000100] MIN TIN OR TIN-LEAD FOR A LENGTH OF 3.56 [1.40] MIN FROM OPPOSITE END, BOTH OVER 1.27µm [1.000050] MIN NICKEL.
- 9 GOLD PLATED FOR A LENGTH OF 3.81 [1.50] MIN FROM MATING END, 0.76µm [1.000030] MIN GOLD IN MATED AREA, 2.54µm [1.000100] MIN TIN OR TIN-LEAD FOR A LENGTH OF 3.56 [1.40] MIN FROM OPPOSITE END, BOTH OVER 1.27µm [1.000050] MIN NICKEL.
- 10 DIMENSION APPLIES FROM CENTER OF CONTACTS.



FOR -5 AND -6 ONLY
 DETAIL F
 2 PLC



P.C. BOARD MOUNTING DIMENSIONS
 P.C. BOARD THICKNESS: 1.57 [1.062]

SUPSD BY 747828-4	SEE DETAIL E	9	747828-6
OBSOLETE	SEE DETAIL E	8	747828-5
	SEE DETAIL D	9	747828-4
OBSOLETE	SEE DETAIL D	8	747828-3
OBSOLETE	-	9	747828-2
OBSOLETE	-	8	747828-1
	MOUNTING HARDWARE	CONTACT FINISH	PART NUMBER

THIS DRAWING IS A CONTROLLED DOCUMENT.		W.G. LENKER 16 OCT 89	AMP Incorporated	
DIMENSIONS: mm [INCHES]		R. STONE 05 FEB 90	Harrisburg, PA 17105-3608	
TOLERANCES UNLESS OTHERWISE SPECIFIED:		M.D. GALLOWAY 06 FEB 90	NAME: PLUG ASSEMBLY, SIZE 2, 15 POSITION, RIGHT ANGLE, FRONT METAL SHELL, .590 SERIES, BOARDLOCKS, AMPLIMITE® HD-20	
0 PLC ±	1 PLC ±	PRODUCT SPEC	SIZE	CAGE CODE
2 PLC ±	3 PLC ±	108-40025	114-40010	DRAWING NO
4 PLC ±	ANGLES ±2°	APPLICATION SPEC	114-40010	747828
MATERIAL	FINISH	CONTACTS: SEE TABLE	WEIGHT	RESTRICTED TO
HOUSING: 1	SHIELD: 2	HARDWARE: 3	-	A1 00779
SHELL: 4	CONTACTS: 5	INSERTS: CLEAR CHROMATE	CUSTOMER DRAWING	SCALE 4:1
HARDWARE: 6	SCREWLOCKS: CLEAR CHROMATE			SHEET 1 OF 1