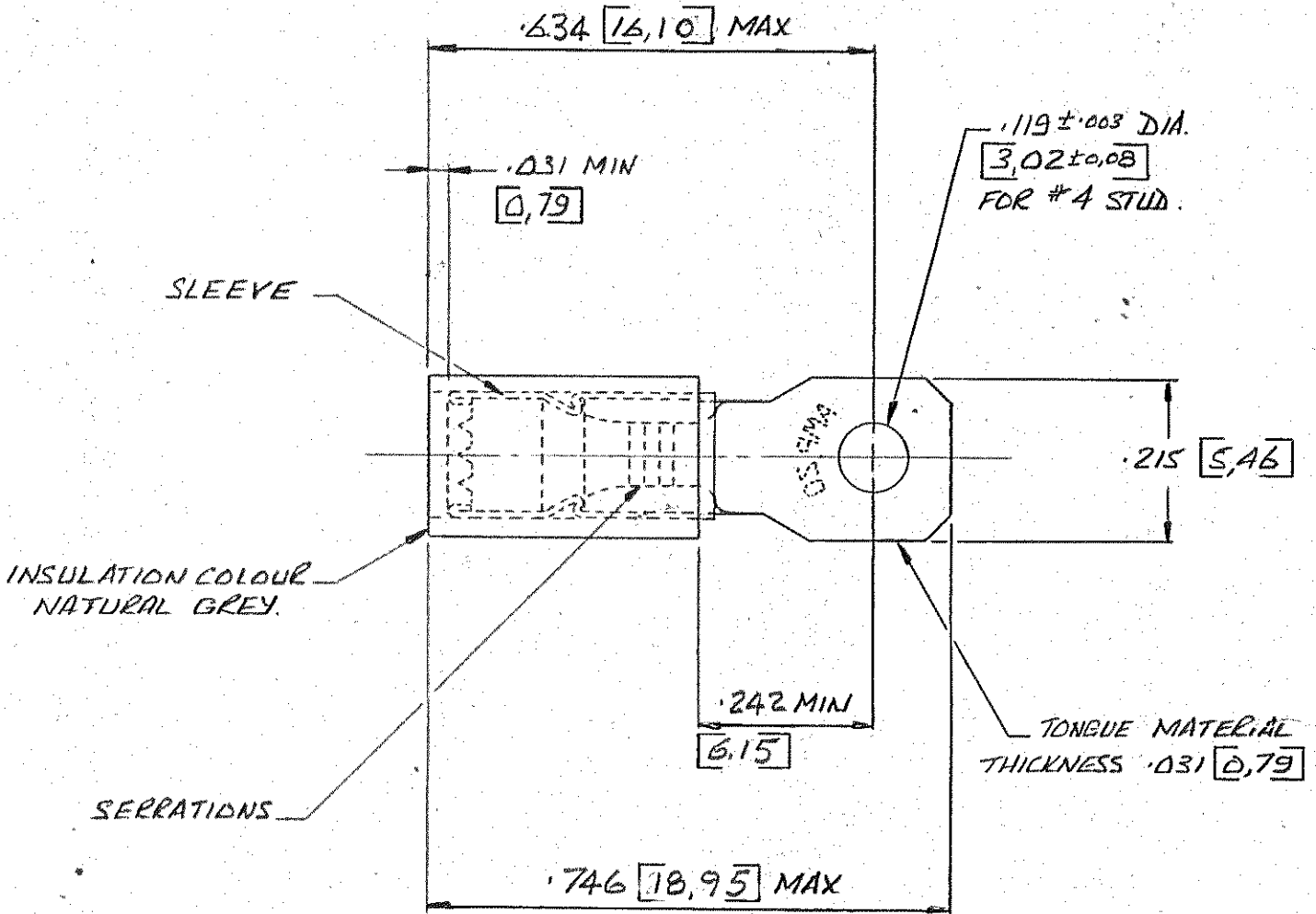


3rd ANGLE (AMERICAN) PROJECTION

DIMENSIONS IN INCHES. DO NOT SCALE PRINT
DIMENSIONS THUS [] IN MM.

NUMBER
C153493



FROZEN

ENGINEERING
OFFICE
MASTER

FOR .045 - .080 [1,14 - 2,03] WIRE INS. DIA.

				© AMP of GREAT BRITAIN LTD 1971		CUSTOMER COPY REFERENCE ONLY	
				MATERIAL AND FINISH COPPER		<div style="font-size: 2em; font-weight: bold; margin: 0;">AMP</div> TERMINAL HOUSE, STANMORE, MIDDX.	
				ANNEALED			
				NICKEL PLATED		CLASS RING TONGUE	
				WIRE - RANGE - INSULATION 20 SEE ABOVE		TYPE P.I.D.G. STRATOTHERM	
				TOLERANCE EXCEPT AS NOTED ± .015 [0,38] ± 1° 0'		SCALE N.T.S.	
				LOC E		NO A	
						C153493	
				NAME		REV	
				WIRE TERMINAL ASSY.			

C	.746, .634, .242, .067, .050 WAS .738, .669, .250, .050 / 100	DR	2/1/77
B	PICTORIAL CHANGE ONLY	AWVC	3-4-73
A	INSULATION NAT. GREY WAS PURPLE	P.C.A.	24-4-72
LTR	REVISION RECORD	DR	CHK
DR P.C. ABBOTT 30.9.71		DE	
CHK JONES 1/10/71		APP W. Jones 1/10/71	

PRINT DIST.